



US00D370417S

United States Patent [19]

Kammerer, Jr.

[11] Patent Number: **Des. 370,417**

[45] Date of Patent: ****Jun. 4, 1996**

[54] **CLOCK CASE**

D. 146,412 2/1947 Lencer D10/6

[76] Inventor: **Max Kammerer, Jr.**, 3053A Zanetta Dr., Marina, Calif. 93933

Primary Examiner—Nelson C. Holtje
Attorney, Agent, or Firm—LaRiviere, Grubman & Payne

[**] Term: **14 Years**

[57] **CLAIM**

[21] Appl. No.: **39,637**

The ornamental design for a clock case, as shown and described.

[22] Filed: **Jun. 1, 1995**

DESCRIPTION

[52] U.S. Cl. **D10/1; D10/128**

[58] Field of Search D10/1-40, 122-132;
368/276-277, 285, 316-317

FIG. 1 is a front oblique view of the clock case of the present invention;

FIG. 2 is a front elevation view thereof;

FIG. 3 is a top view thereof;

FIG. 4 is a right side elevation view thereof; and,

FIG. 5 is a back elevation view thereof.

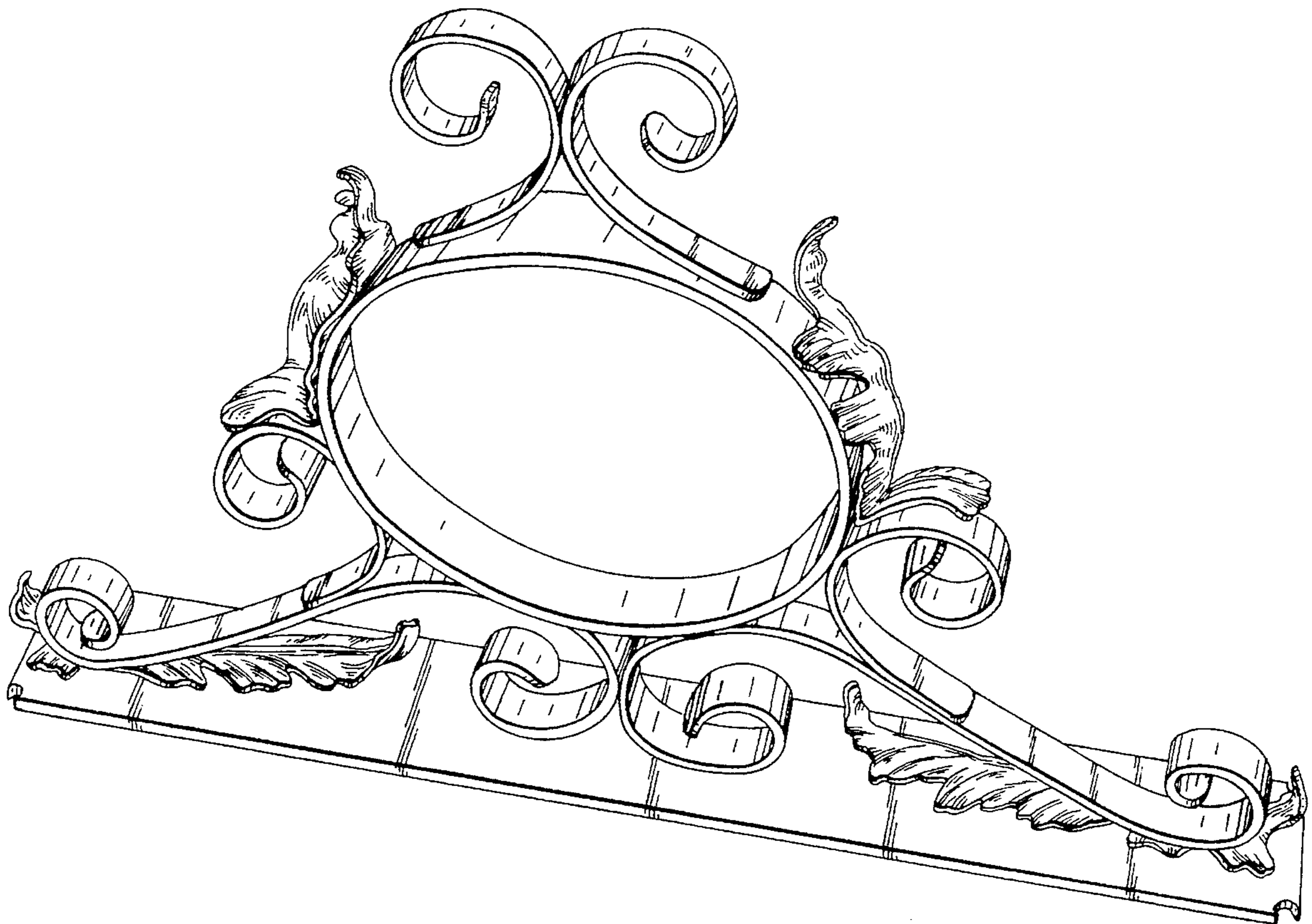
An intended application of the present invention is to receive therein a clock movement or other instrument for use therewith.

[56] **References Cited**

U.S. PATENT DOCUMENTS

D. 666	8/1854	Mauer	D10/128	X
D. 37,091	8/1904	Darce	D10/23	X
D. 42,448	4/1912	Whitman	D10/1	
D. 61,974	2/1923	Dumsha	D10/128	
D. 91,086	11/1933	Rainbault	D10/1	

1 Claim, 3 Drawing Sheets



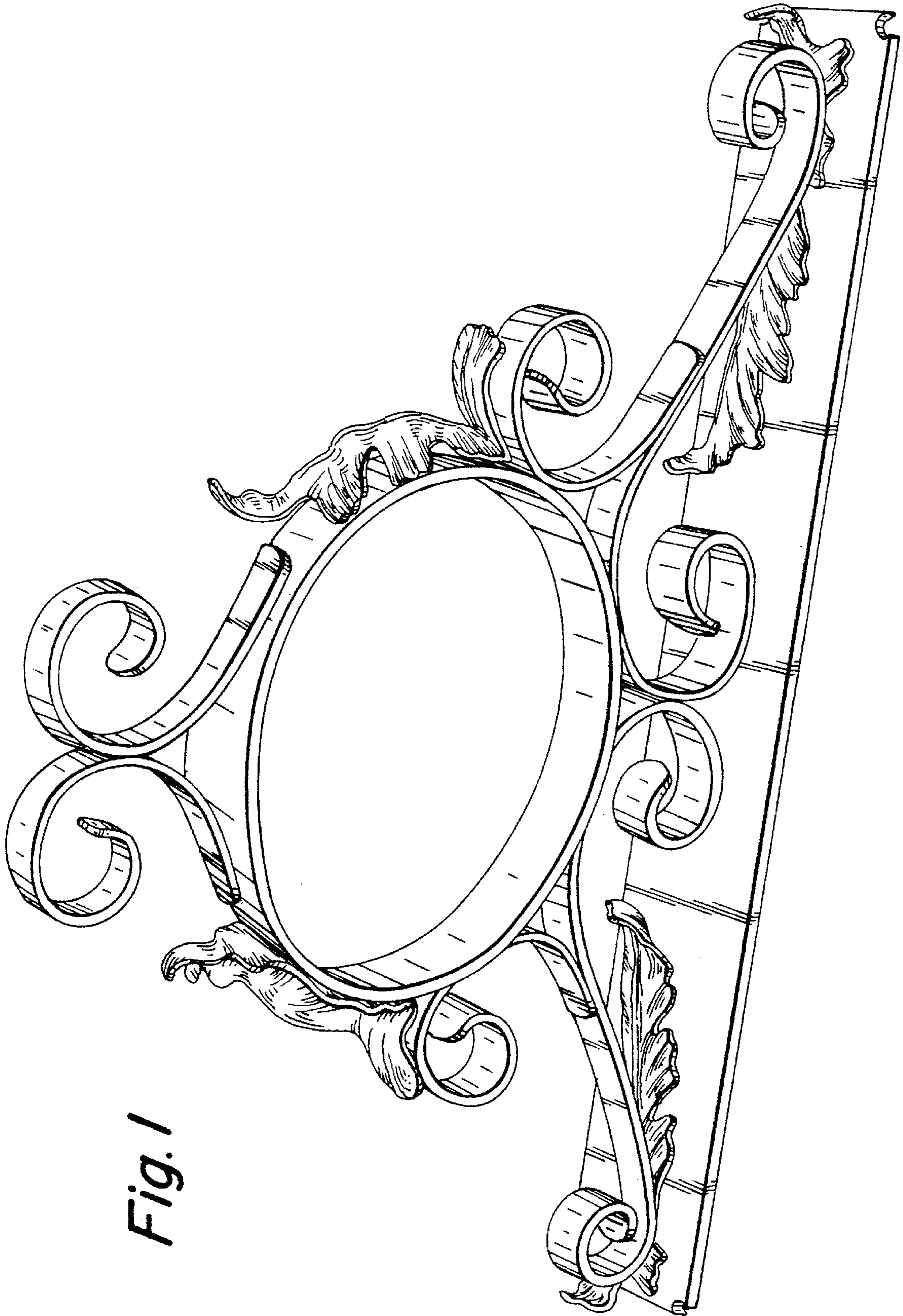


Fig. 1

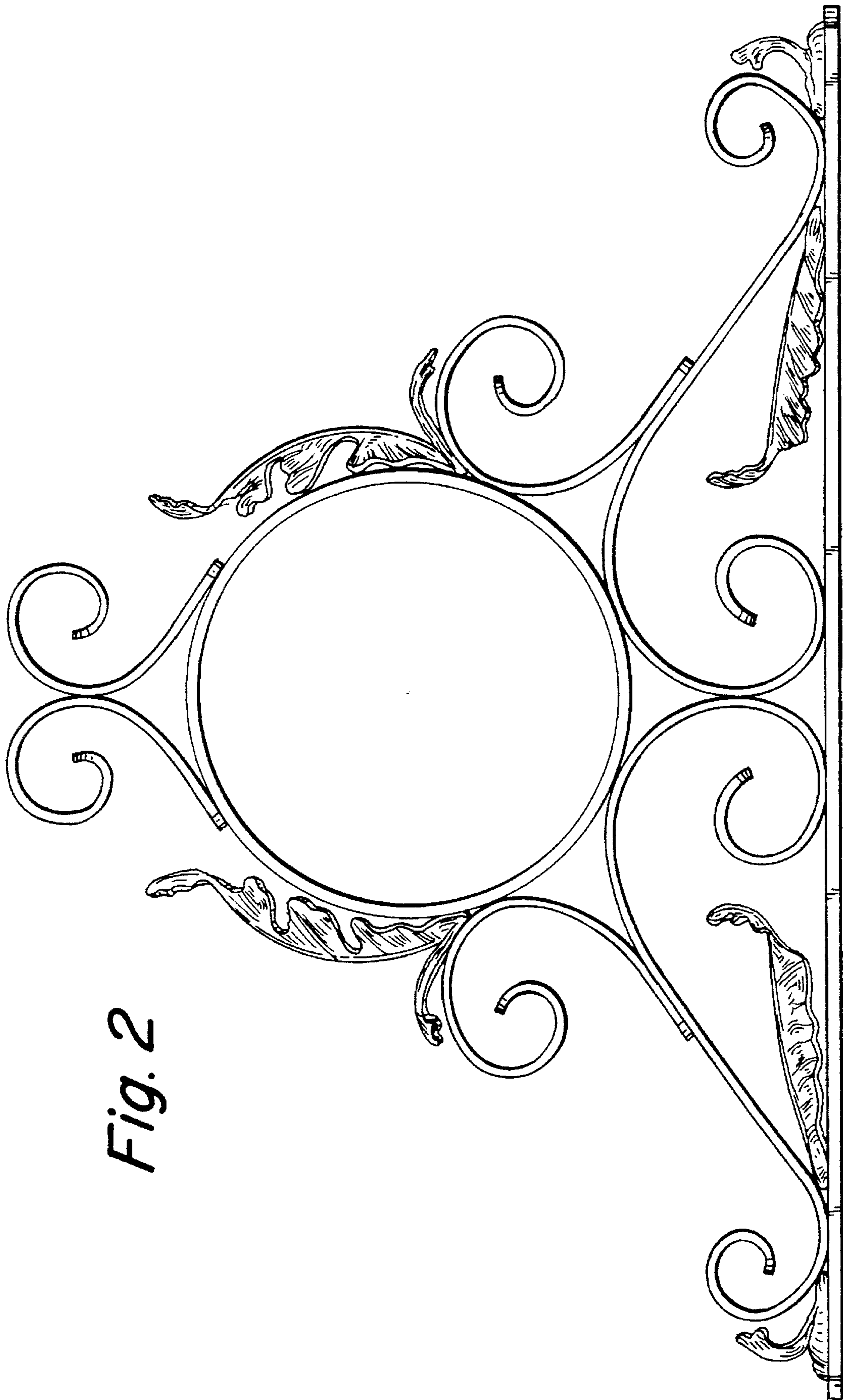


Fig. 2

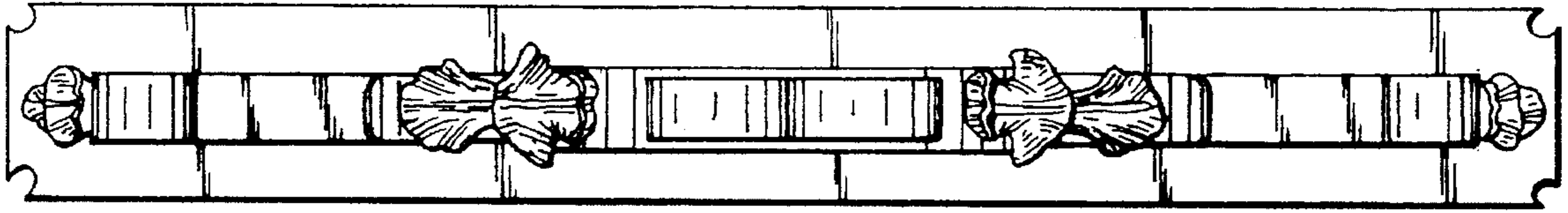


Fig. 3

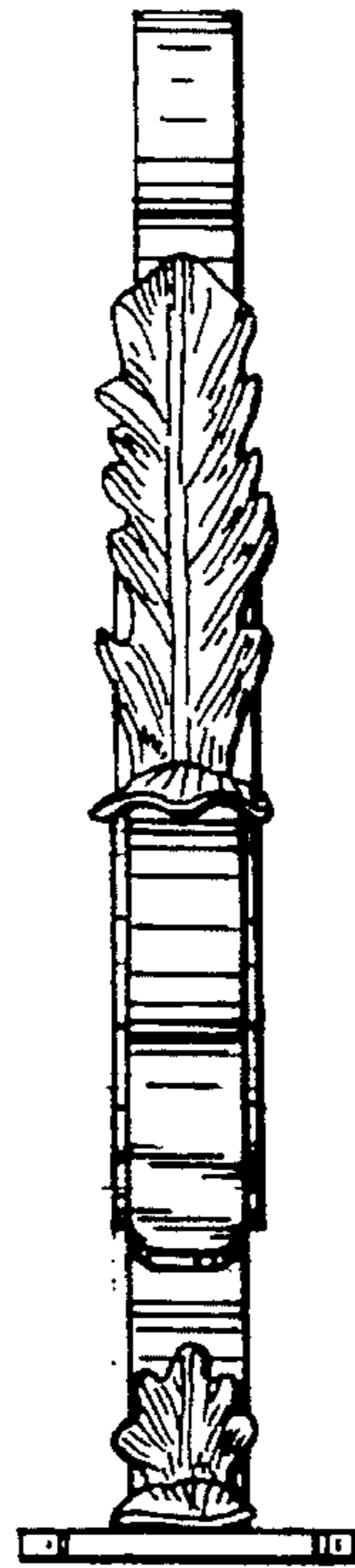


Fig. 4

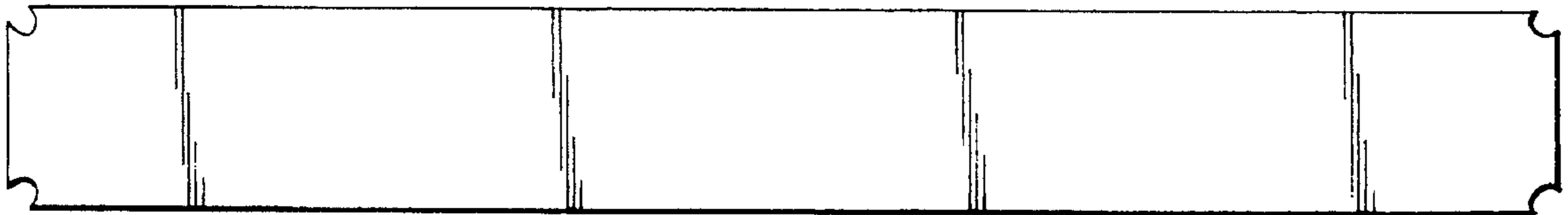


Fig. 5