



US00D370405S

United States Patent [19]

[11] Patent Number: **Des. 370,405**

Wu

[45] Date of Patent: ****Jun. 4, 1996**

- [54] **CASTER BASE FOR A BAGGAGE**
- [75] Inventor: **Tai-Ting Wu**, Tainan Hsien, Taiwan
- [73] Assignee: **Yu Lung Plastics Industrial Co., Ltd.**,
Tainan Hsien, Taiwan
- [**] Term: **14 Years**
- [21] Appl. No.: **38,581**
- [22] Filed: **May 8, 1995**
- [52] U.S. Cl. **D8/375**
- [58] Field of Search **D8/375; 16/47,**
16/18 R, 18 CG; 190/18 A

Primary Examiner—A. Hugo Word
Assistant Examiner—Holly Baynham
Attorney, Agent, or Firm—Morton J. Rosenberg; David I. Klein

[57] CLAIM

The ornamental design for a caster base for a baggage, as shown and described.

DESCRIPTION

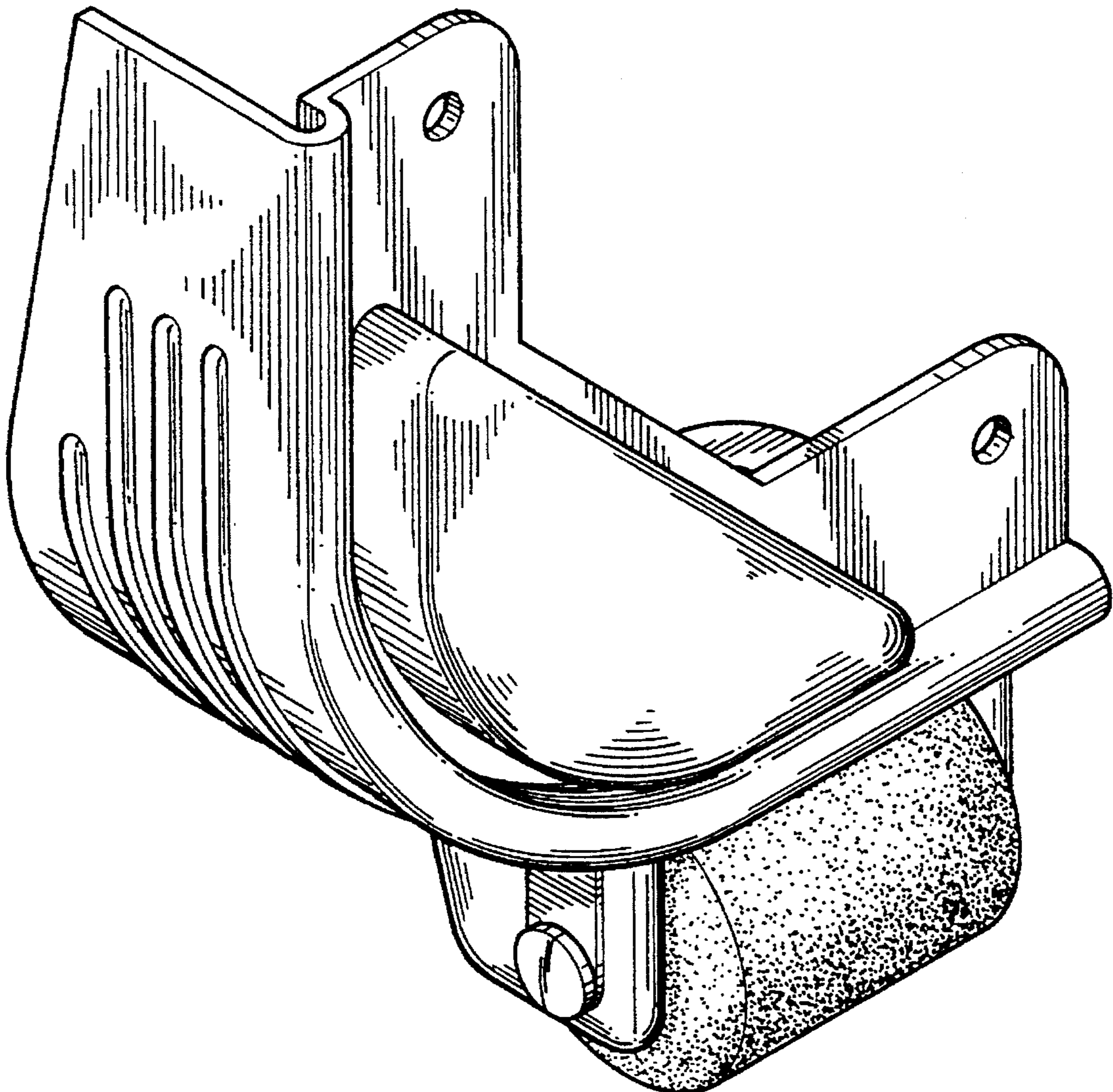
FIG. 1 is a perspective view of a caster base for a baggage showing my present design;
 FIG. 2 is a front view thereof;
 FIG. 3 is a rear view thereof;
 FIG. 4 is a left view thereof;
 FIG. 5 is a right view thereof;
 FIG. 6 is a top plan view thereof; and,
 FIG. 7 is a bottom plan view.

[56] References Cited

U.S. PATENT DOCUMENTS

- D. 275,832 10/1984 Kotkins, Jr. D8/375
- D. 292,873 11/1987 Chen D8/375
- D. 306,135 2/1990 Lin D8/375

1 Claim, 5 Drawing Sheets



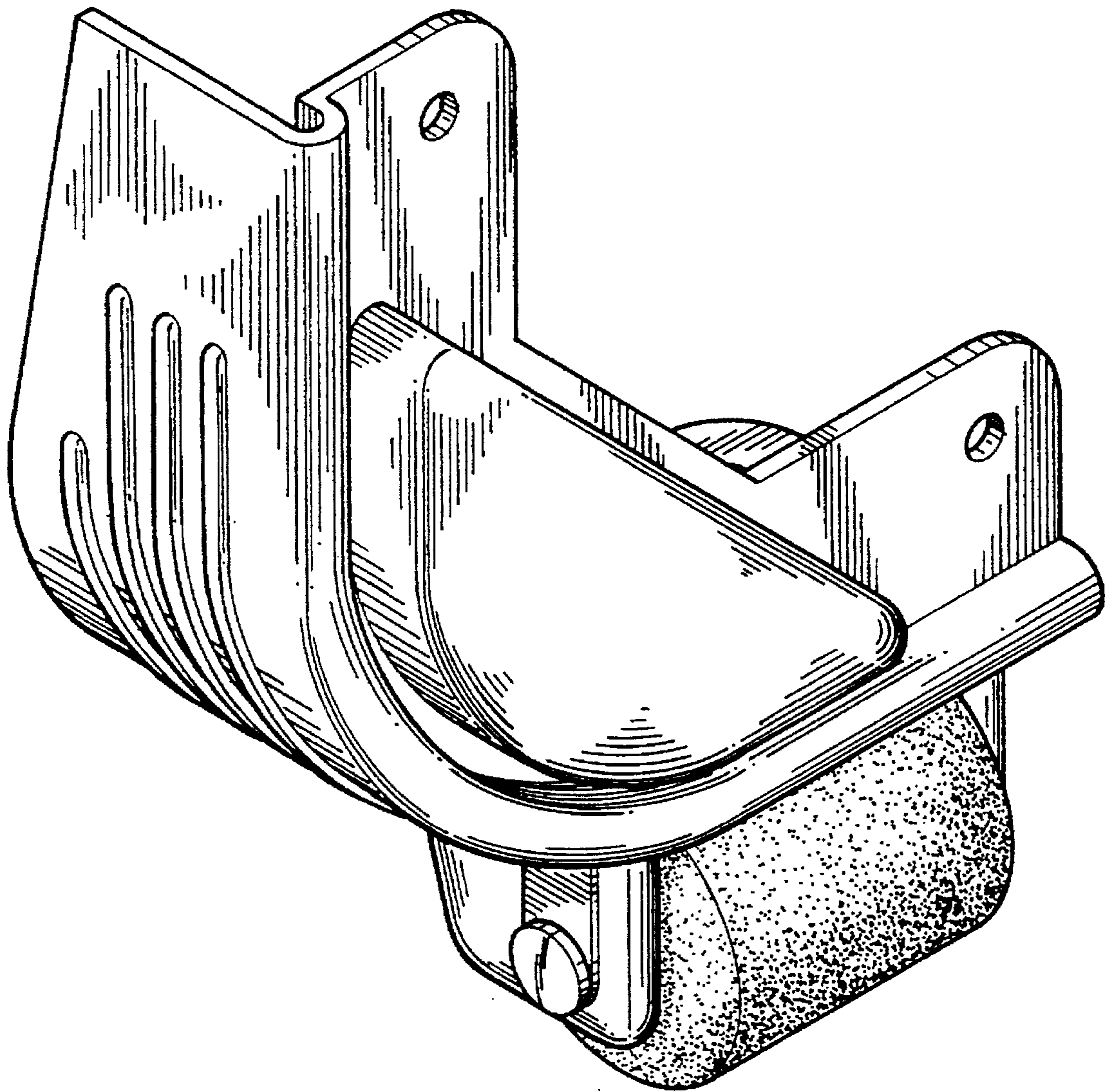


FIG. 1

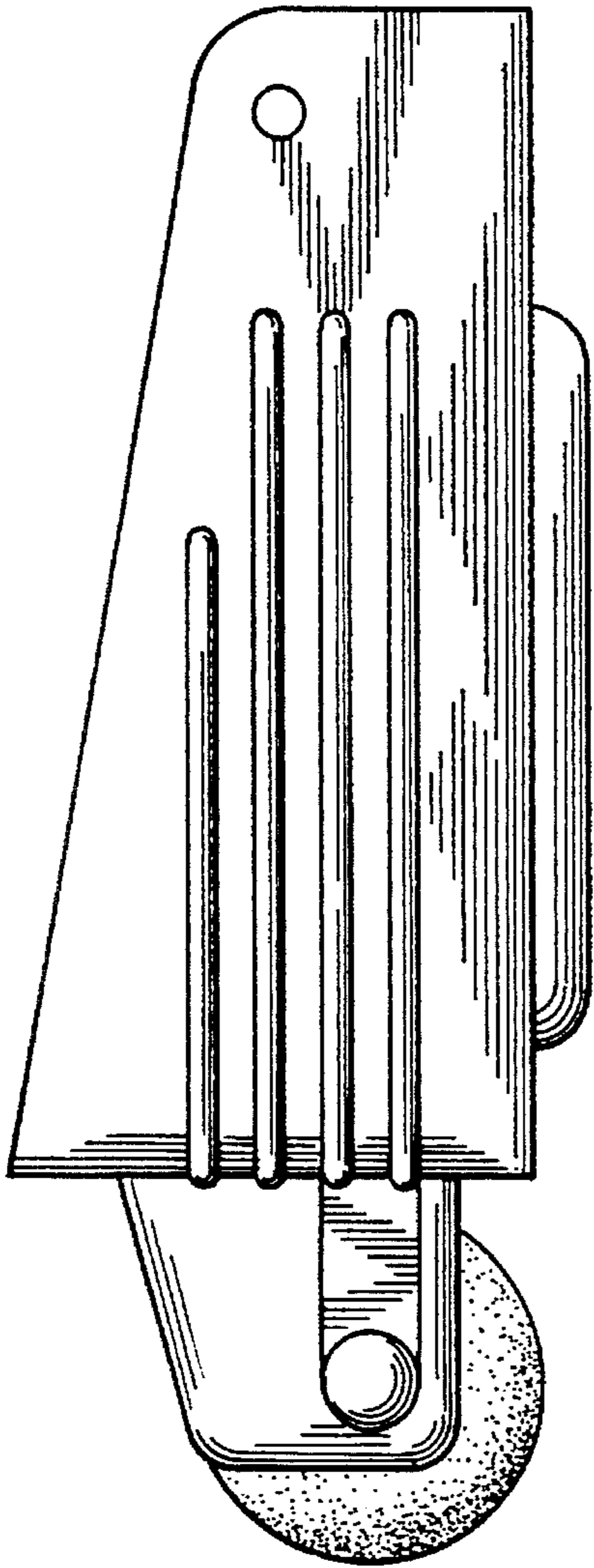


FIG. 2

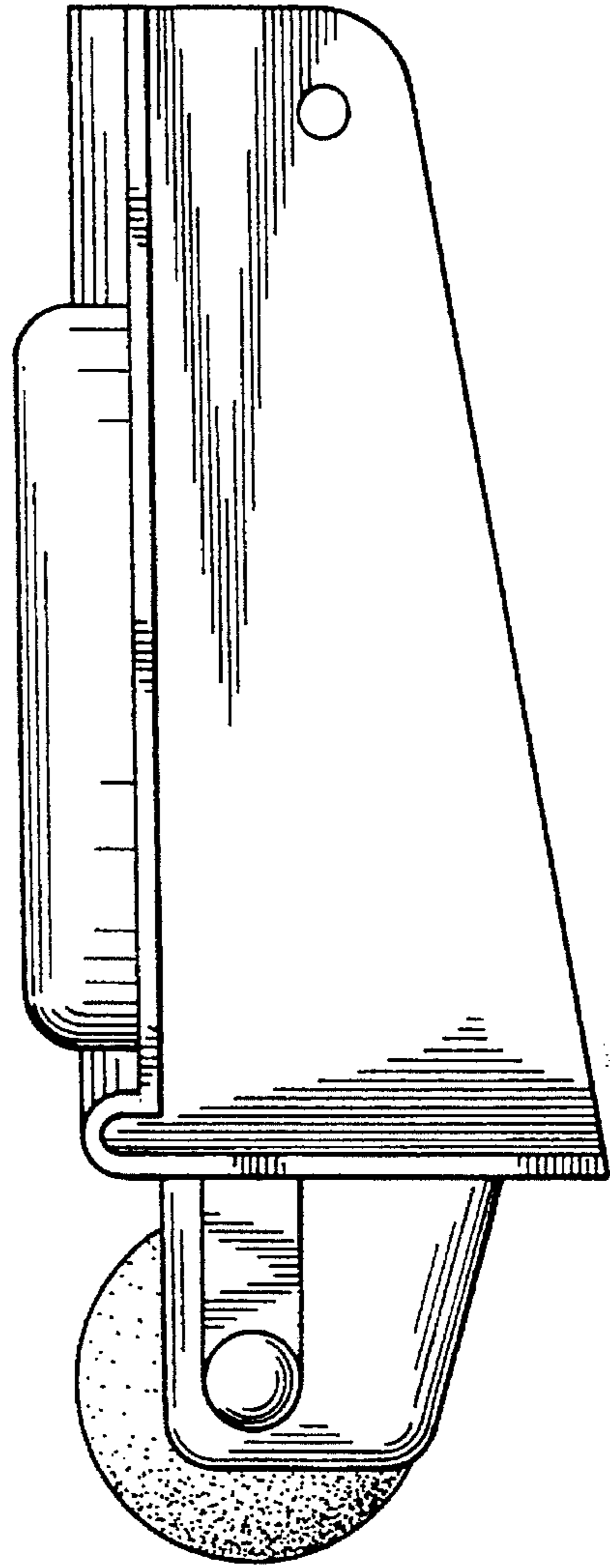


FIG. 3

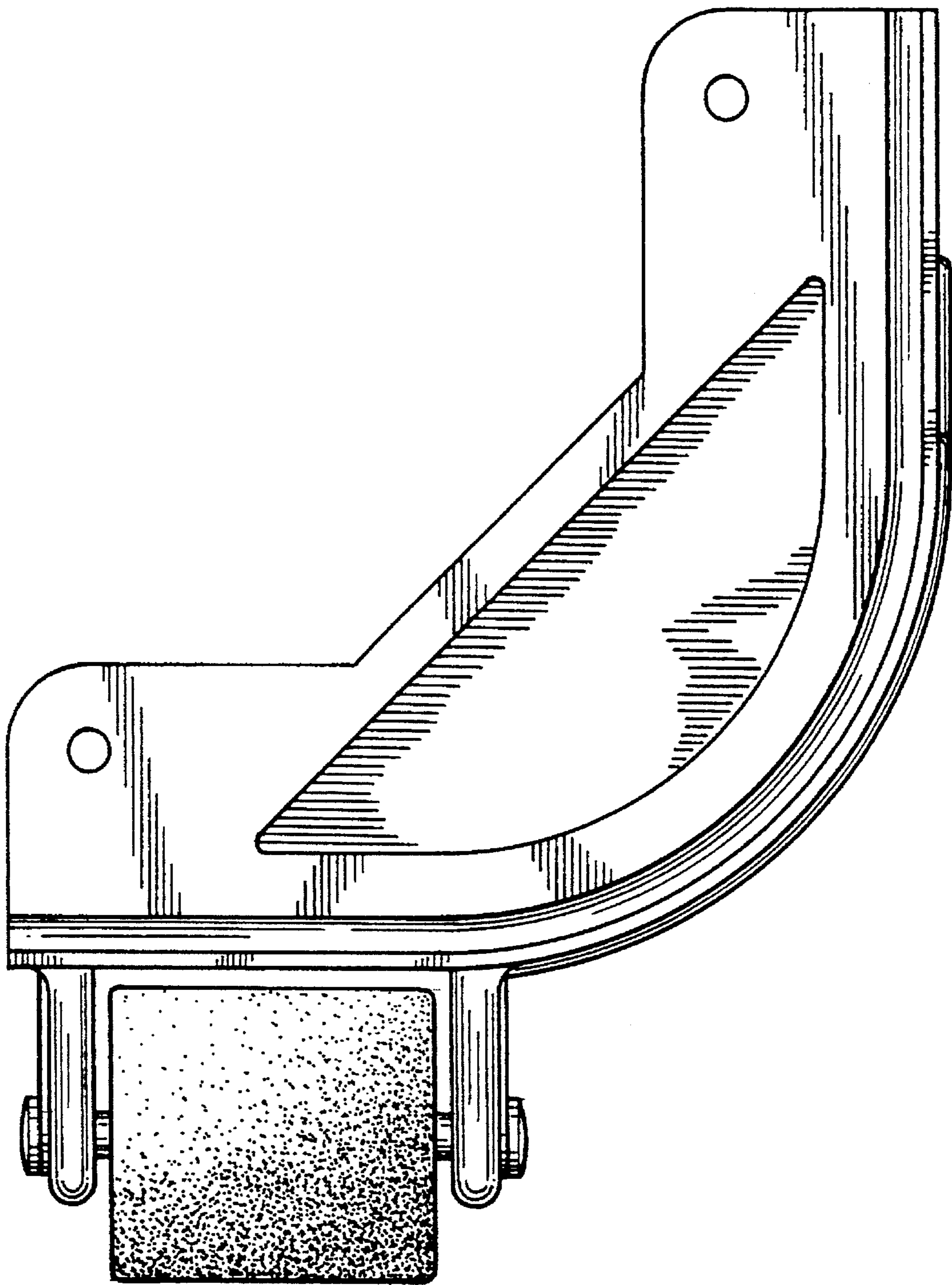


FIG. 4

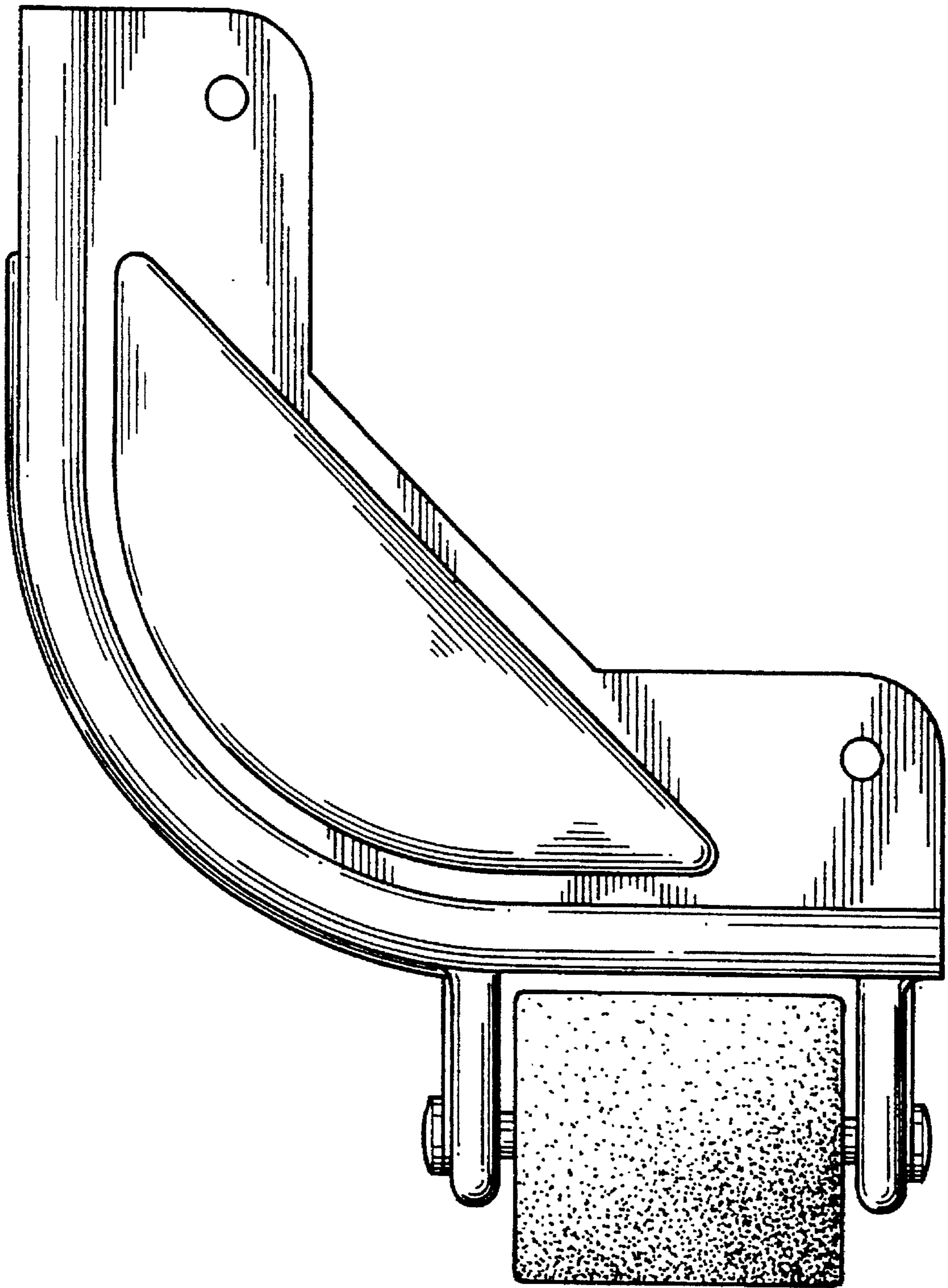


FIG. 5

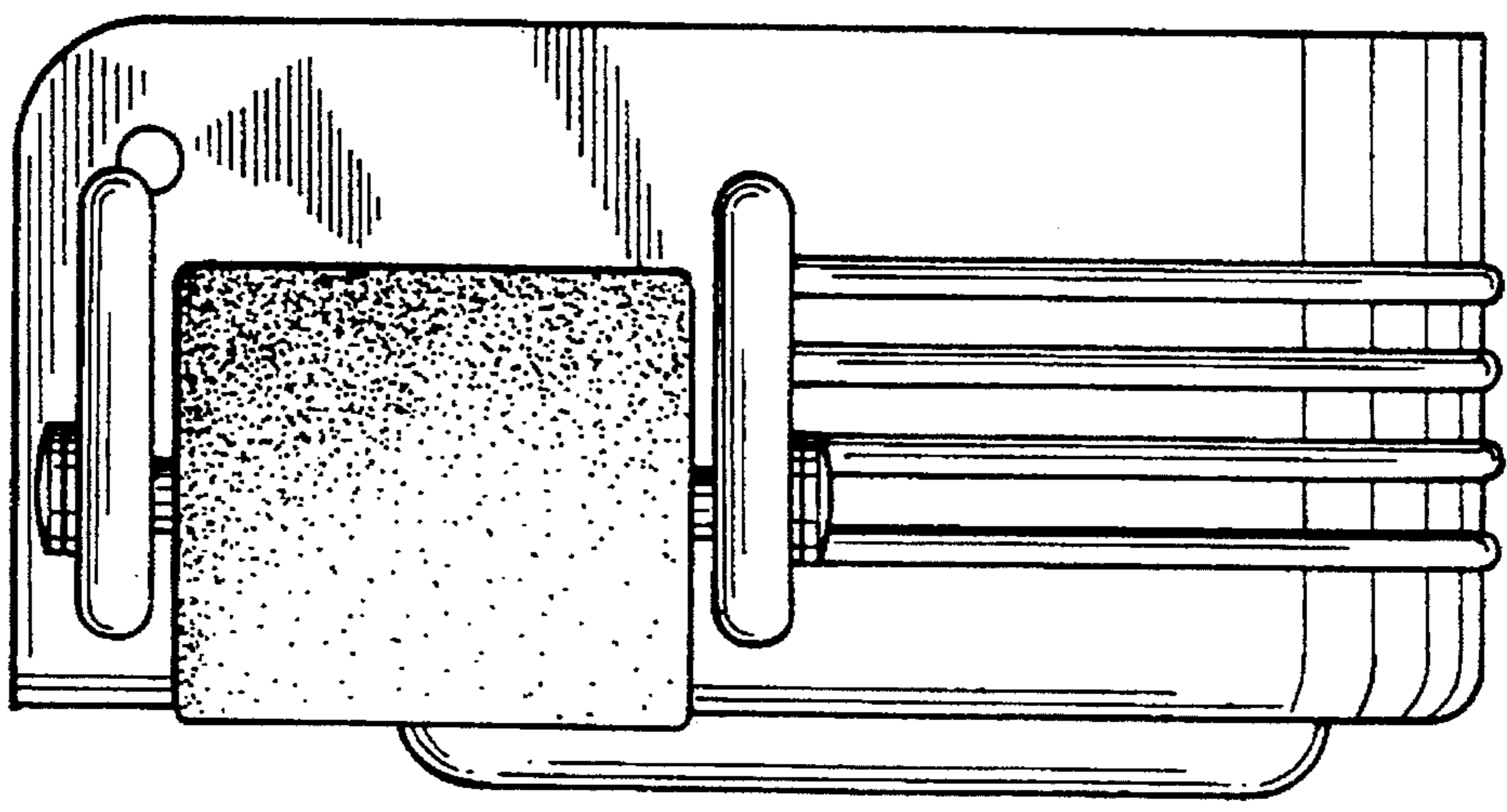


FIG. 7

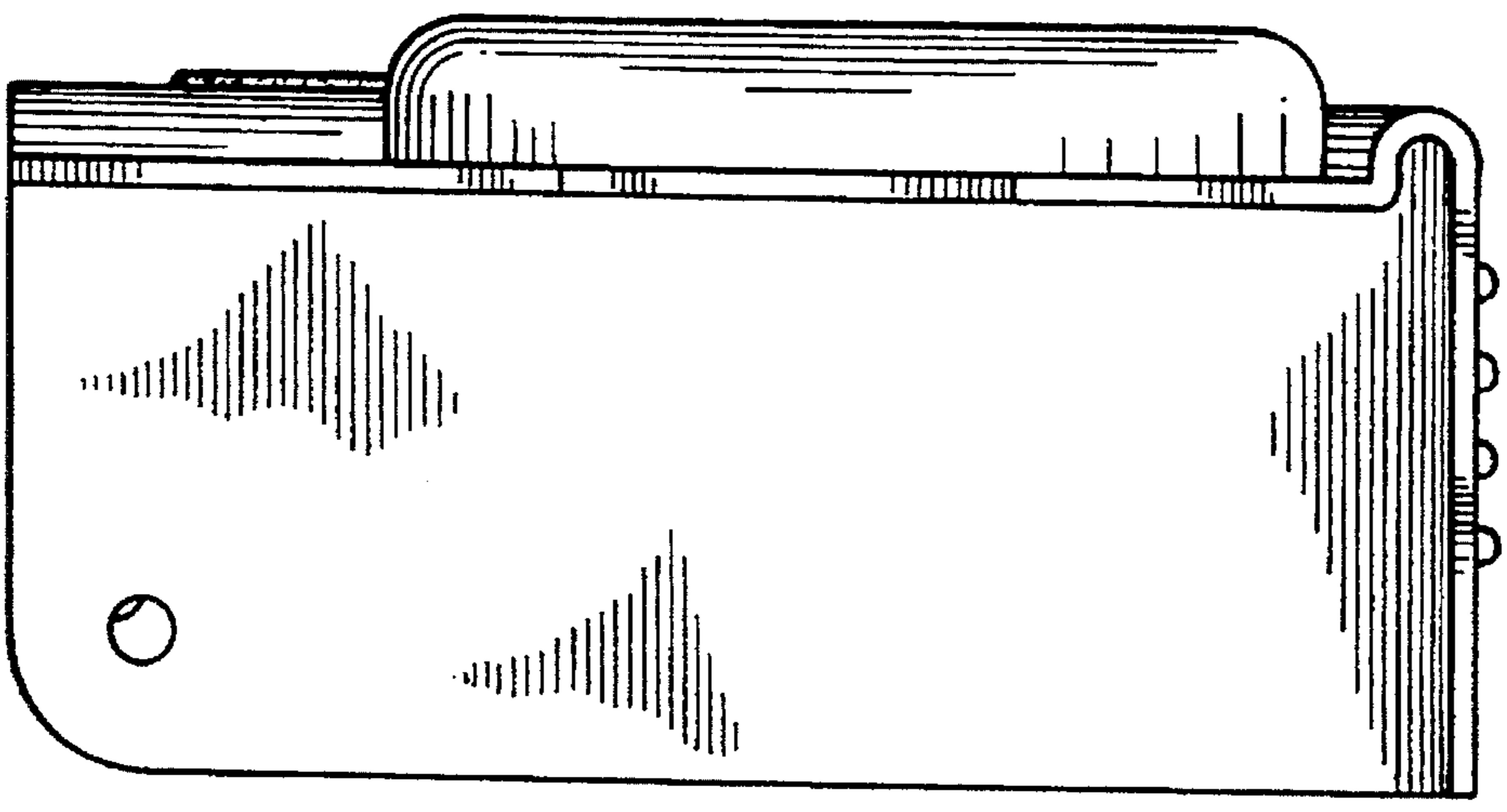


FIG. 6