



US00D370403S

United States Patent [19]

[11] Patent Number: **Des. 370,403**

Schenken et al.

[45] Date of Patent: ****Jun. 4, 1996**

[54] **ADJUSTABLE HOLDER**

[75] Inventors: **John Schenken**, West Des Moines;
Charles A. Haas, Des Moines; **Jerome Hartmann**, Carlisle, all of Iowa

5,149,032 9/1992 Jones et al. 248/154
5,154,380 10/1992 Risca 248/154
5,167,392 12/1992 Henricksen 248/311.2
5,280,870 1/1994 Chick et al. 248/311.2
5,318,266 6/1994 Liu 248/311.2

[73] Assignee: **Cobbs Manufacturing Company**, Des Moines, Iowa

OTHER PUBLICATIONS

Copy of U.S. Patent application Ser. No. 08/351,621, filed Dec. 8, 1994 and assigned to the same Assignee as the present Application.

[**] Term: **14 Years**

Primary Examiner—A. Hugo Word
Assistant Examiner—Holly Baynham
Attorney, Agent, or Firm—Dick and Harris

[21] Appl. No.: **37,960**

[22] Filed: **Apr. 25, 1995**

[52] U.S. Cl. **D8/355**

[57] CLAIM

[58] Field of Search D8/355, 373; 248/311.3,
248/346, 310, 154

The ornamental design for an adjustable holder, as shown.

[56] References Cited

DESCRIPTION

U.S. PATENT DOCUMENTS

529,953	11/1894	Presnell	248/310
1,161,762	11/1915	Bartlett	248/310
1,742,069	12/1929	Greenwald et al.	248/310 X
2,743,893	5/1956	Johnston, Jr.	248/310
4,093,166	6/1978	Iida	248/311.2 X
4,828,211	5/1989	McConnell et al.	248/311.2
4,892,281	1/1990	DiFilippo et al.	248/311.2
4,948,080	8/1990	Jack	248/311.2
5,054,733	10/1991	Shields	248/313
5,071,096	12/1991	Hartmann et al.	248/154
5,072,909	12/1991	Huang	248/311.2
5,143,338	9/1992	Eberlin	248/313

FIG. 1 is a perspective view of the adjustable holder showing a new ornamental design therefor;
FIG. 2 is an enlarged front elevational view thereof with the rear view being a mirror image;
FIG. 3 is a right side elevational view thereof;
FIG. 4 is a left side elevational view thereof;
FIG. 5 is a top view thereof; and,
FIG. 6 is a bottom plan view thereof.
The broken line showing of a portion of a structure is for illustrative purposes only and forms no part of the claimed design.

1 Claim, 3 Drawing Sheets

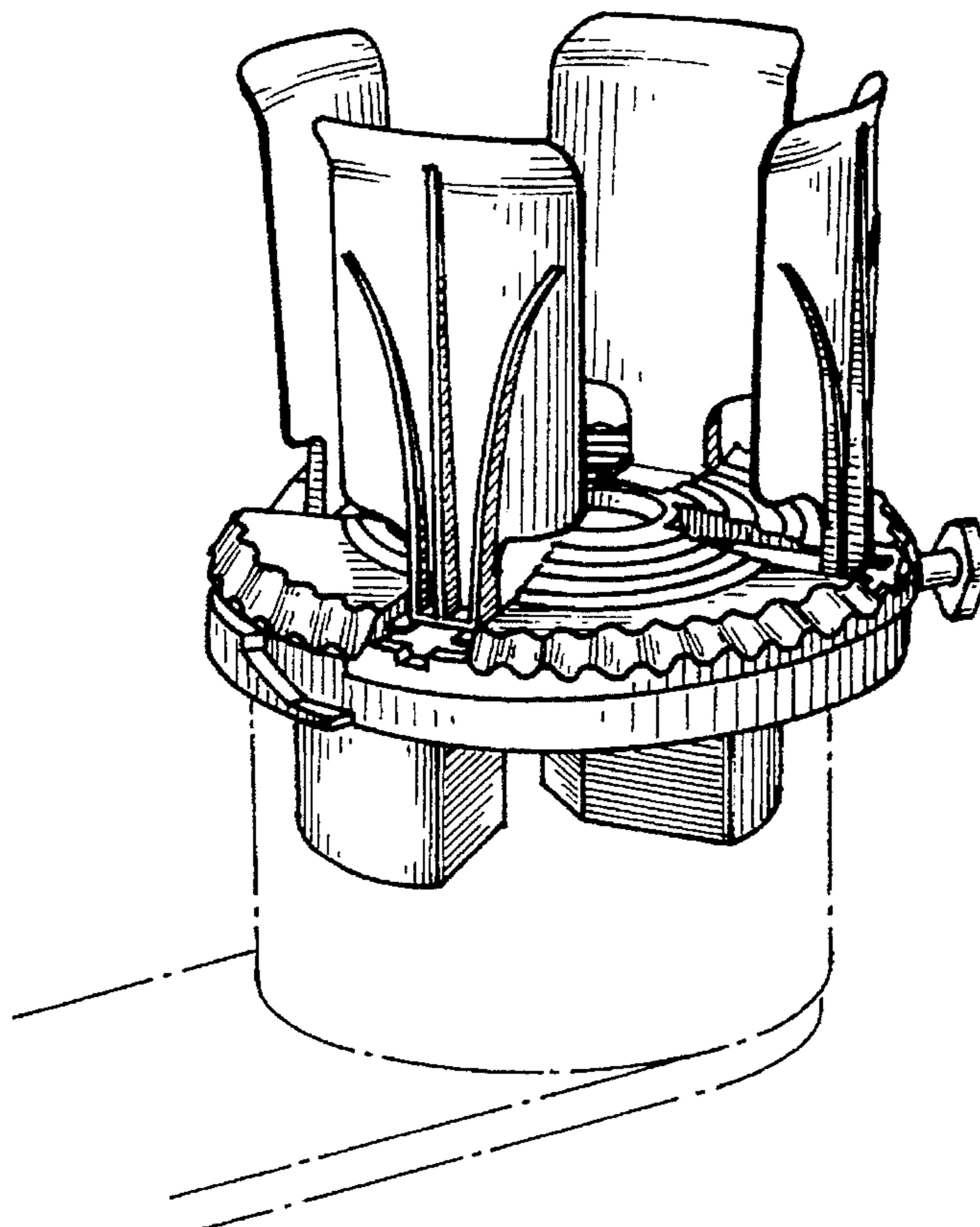


Fig 1

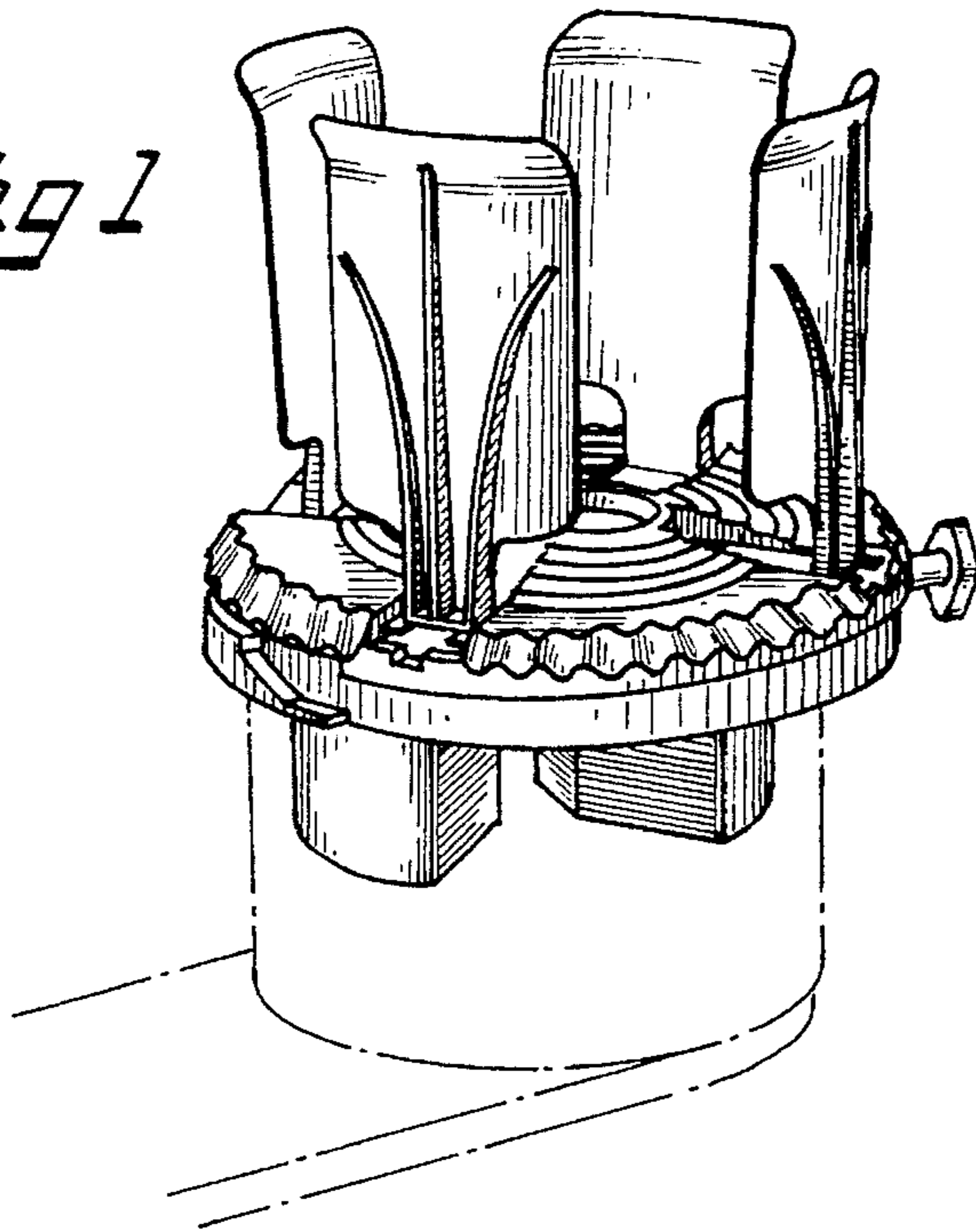


Fig 2

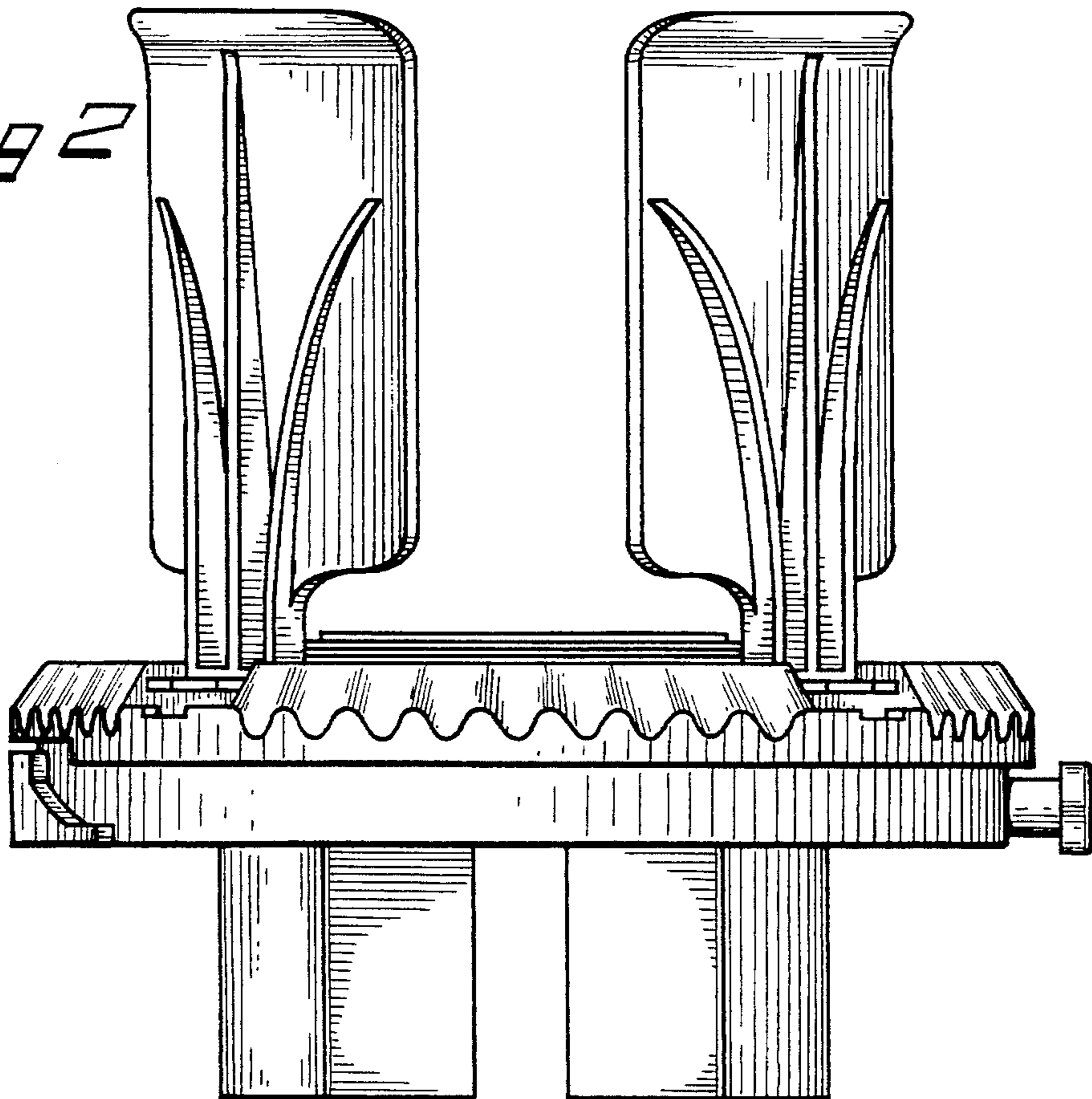


Fig 3

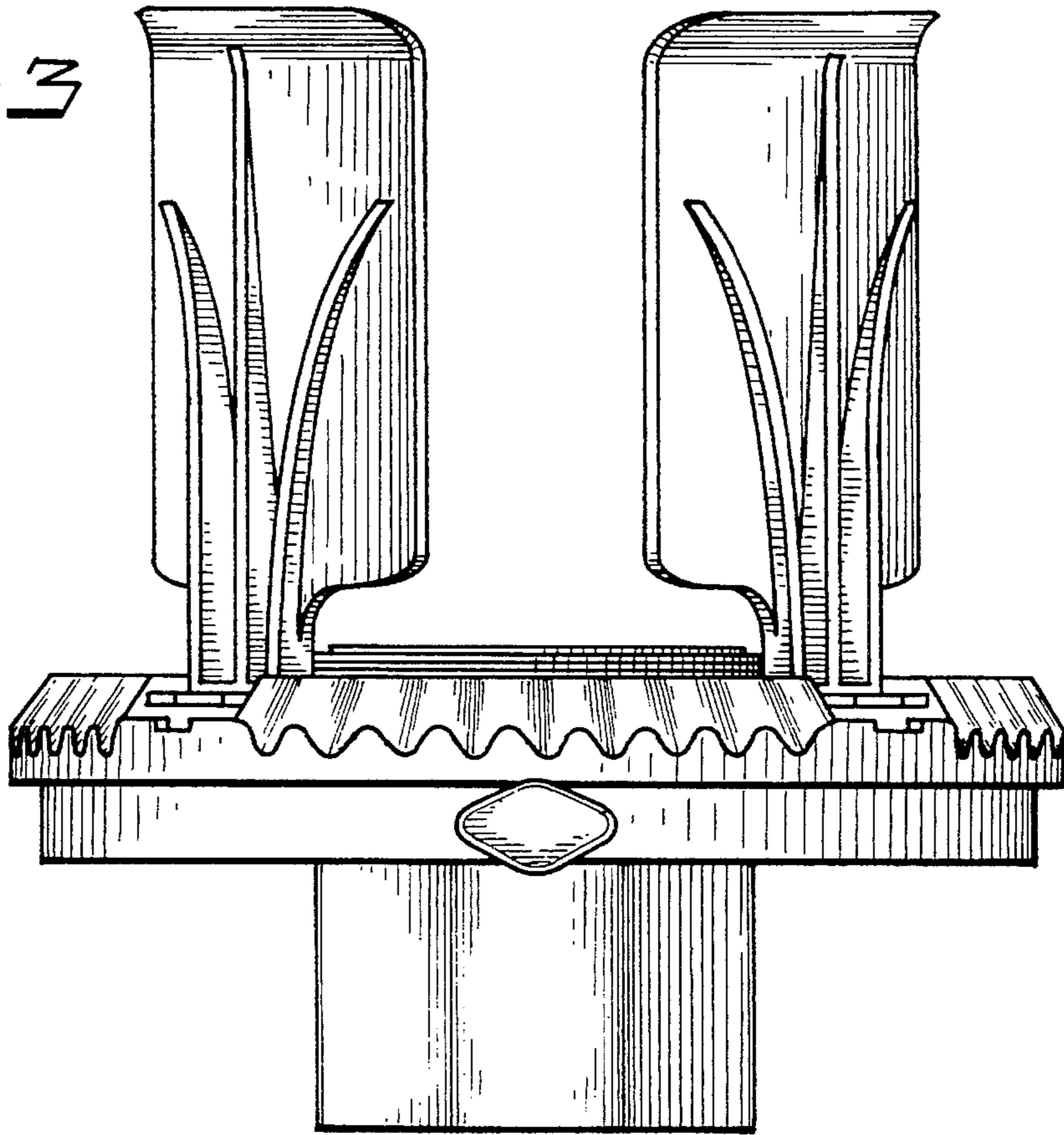


Fig 4

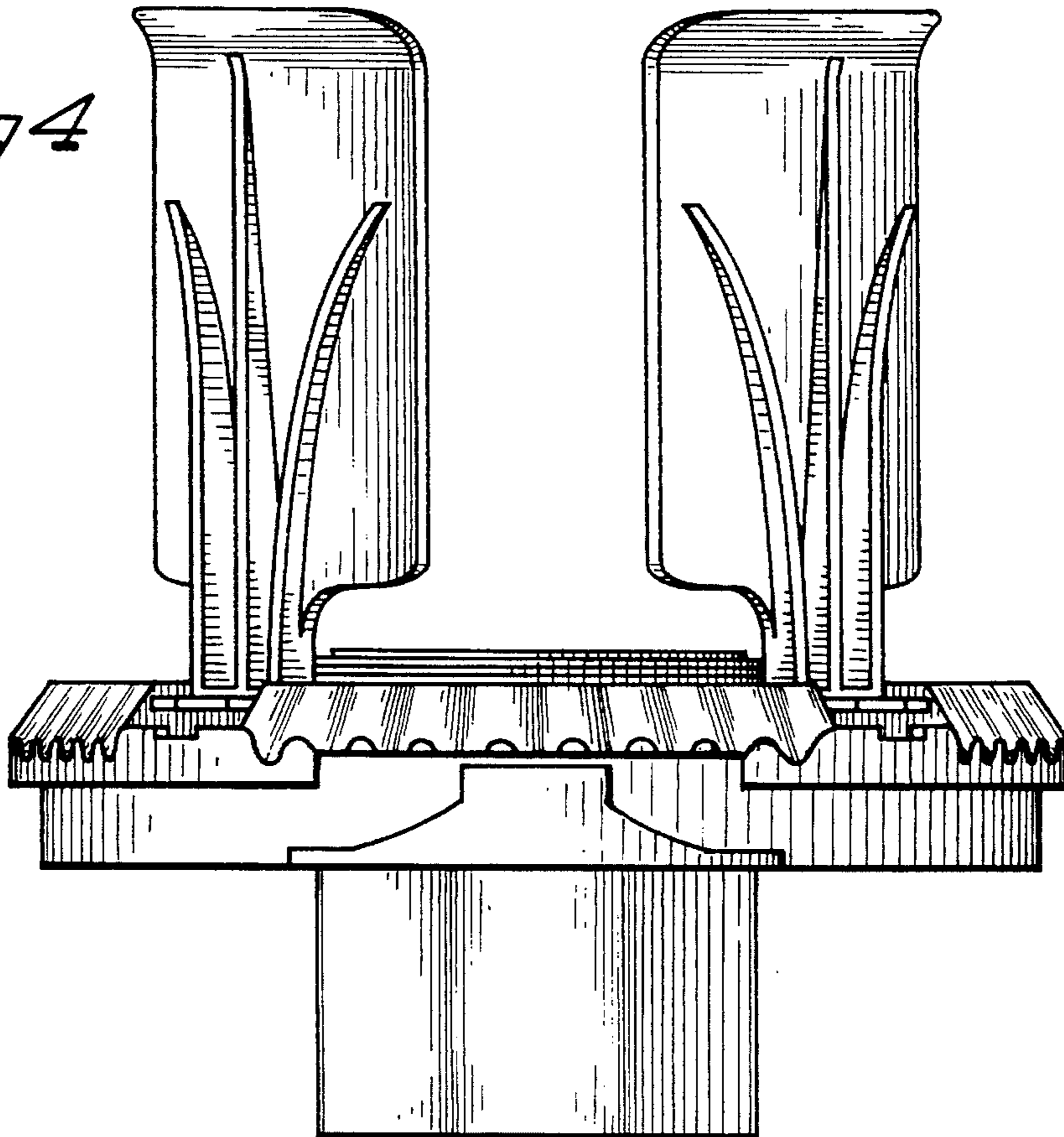


Fig 5

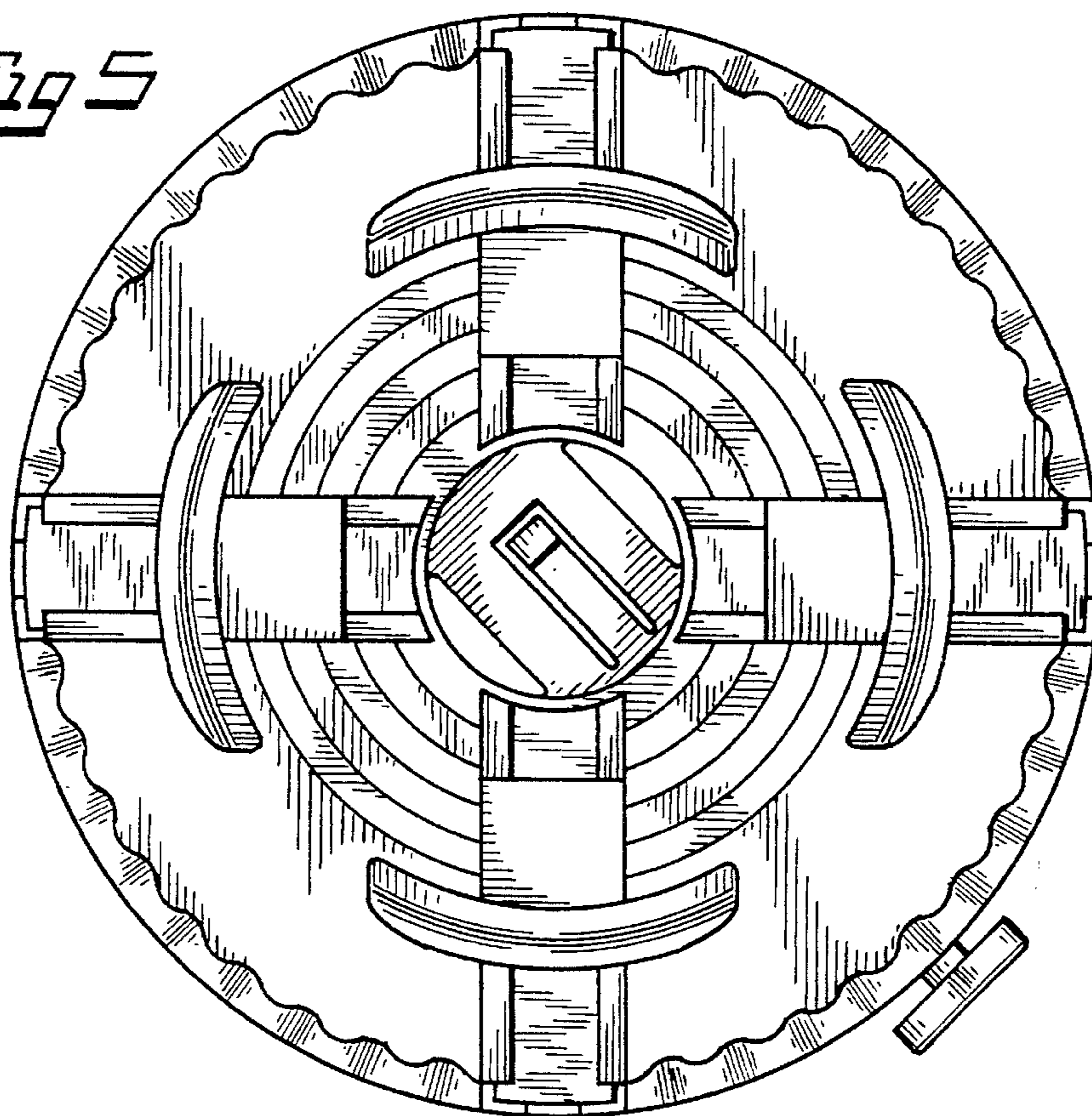


Fig B

