



US00D370402S

United States Patent [19]

Anand et al.

[11] Patent Number: **Des. 370,402**

[45] Date of Patent: ****Jun. 4, 1996**

[54] **MIRROR SUPPORT FOR USE WITH A MAGNETIC RESONANCE IMAGING ENTERTAINMENT SYSTEM**

5,339,813 8/1994 DeYoe et al. .
5,355,885 10/1994 Tsuda et al. .

[75] Inventors: **Prem K. Anand**, Roswell; **Richard Haas**, Norcross, both of Ga.

Primary Examiner—Holly H. Baynham
Attorney, Agent, or Firm—Hopkins & Thomas; Scott A. Horstemeyer

[73] Assignee: **Health Images, Inc.**, Atlanta, Ga.

[**] Term: **14 Years**

[57] CLAIM

[21] Appl. No.: **40,838**

The ornamental design for a mirror support for use with a magnetic resonance imaging entertainment system, as shown and described.

[22] Filed: **Jun. 28, 1995**

DESCRIPTION

[52] U.S. Cl. **D8/354**

[58] Field of Search D8/354; D12/187;
359/871, 880, 883; 248/476, 475.1, 214,
218.4, 205.1

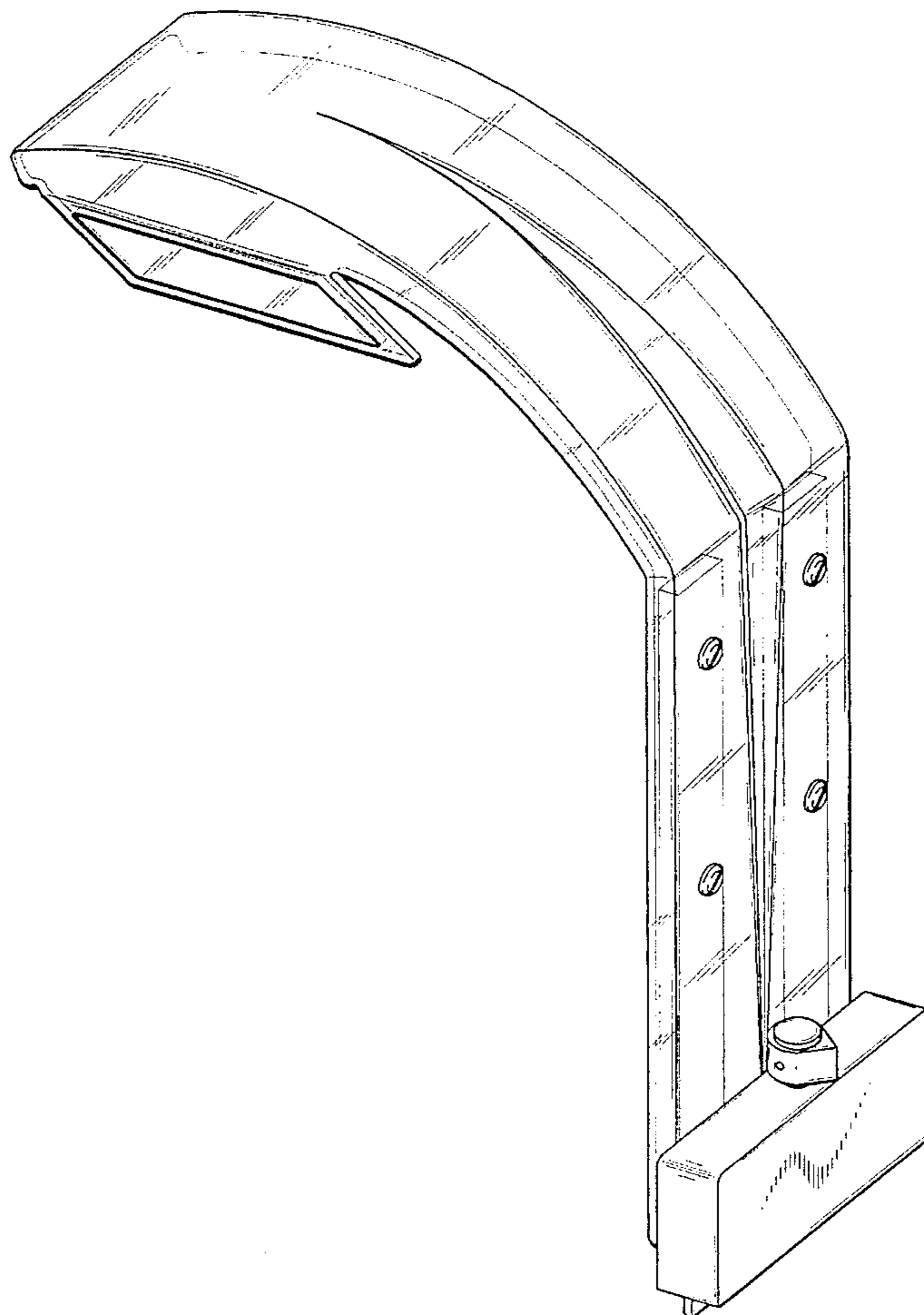
FIG. 1 is a perspective view of a mirror support showing our new design;
FIG. 2 is a front elevational view of the mirror support of FIG. 1;
FIG. 3 is a left side elevational view of the mirror support of FIG. 1;
FIG. 4 is a right side elevation view of the mirror support of FIG. 1;
FIG. 5 is a rear elevational view of the mirror support of FIG. 1;
FIG. 6 is a top plan view of the mirror support of FIG. 1; and,
FIG. 7 is a bottom plan view of the mirror support of FIG. 1.

[56] References Cited

U.S. PATENT DOCUMENTS

D. 215,141	9/1969	Harmsen	D8/380
D. 331,006	11/1992	Dziedzic	D8/354 X
D. 359,225	6/1995	Reed	D8/354
4,696,030	9/1987	Egozi	.	
4,901,141	2/1990	Costello	.	
5,076,275	12/1991	Bechor et al.	.	
5,134,373	7/1992	Tsuruno et al.	.	
5,277,184	1/1994	Messana	.	

1 Claim, 4 Drawing Sheets



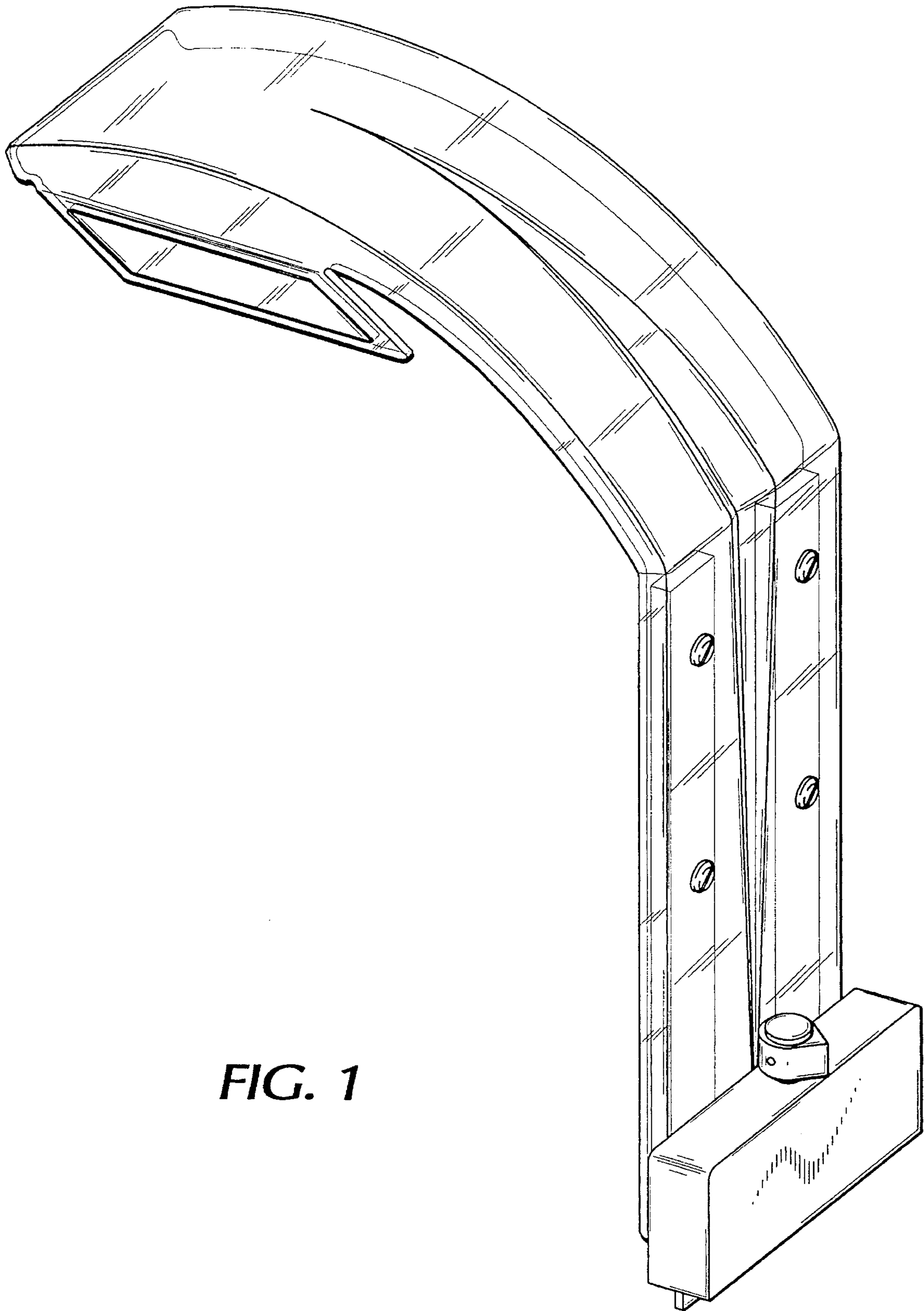


FIG. 1

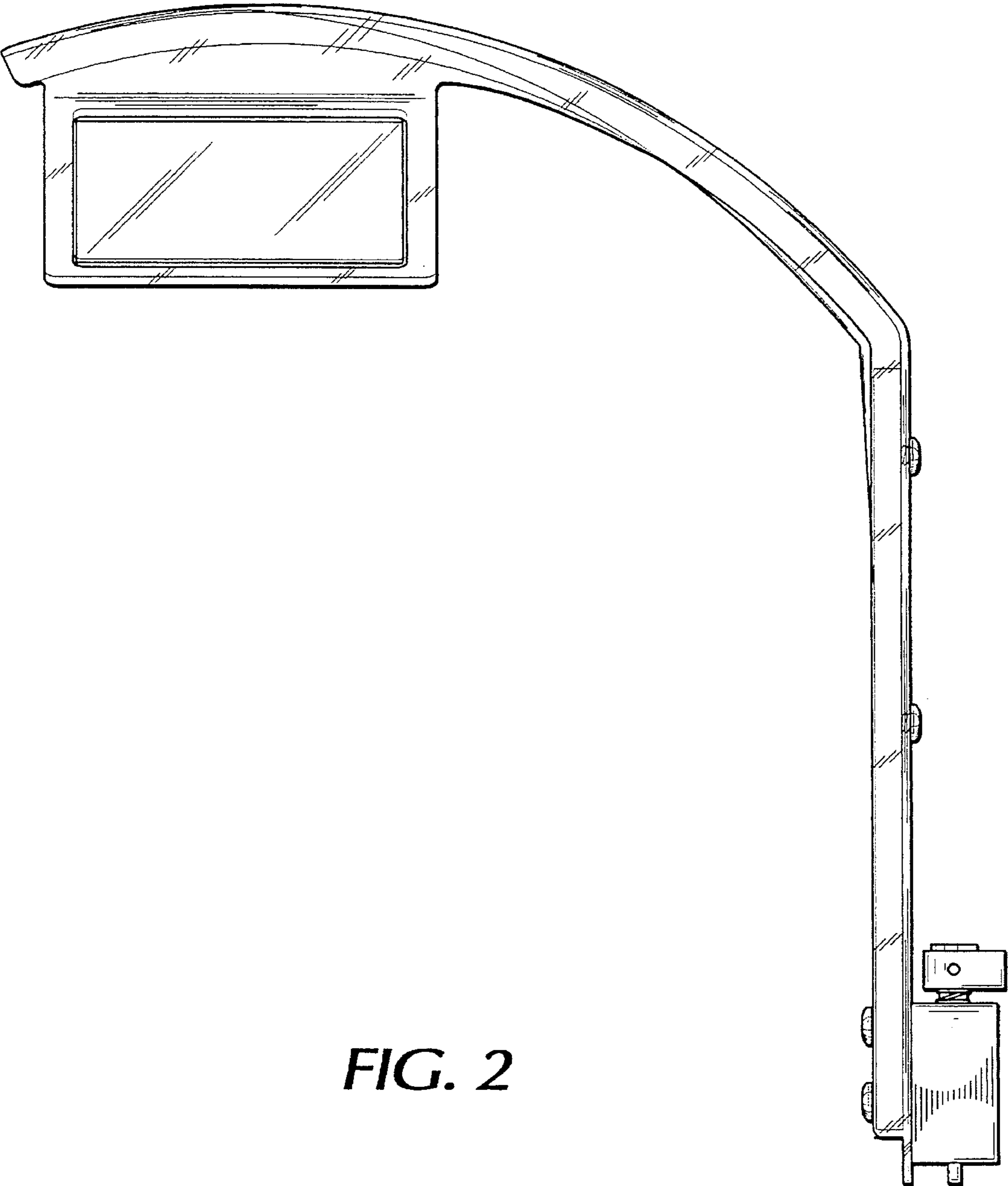


FIG. 2

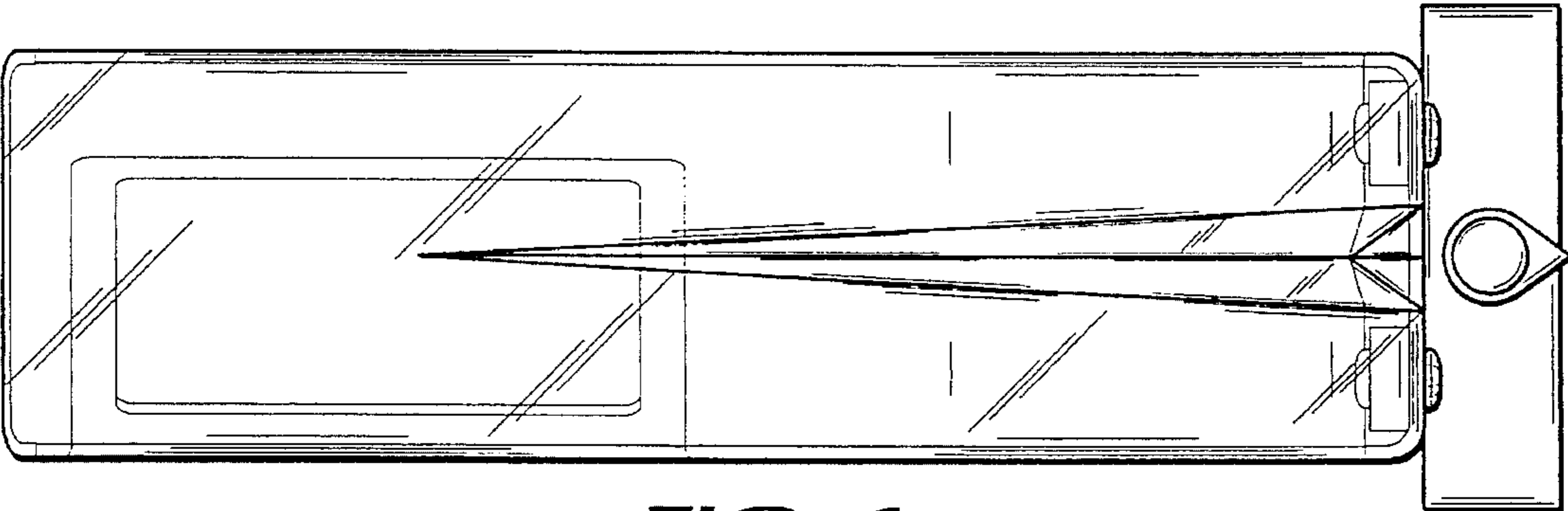


FIG. 6

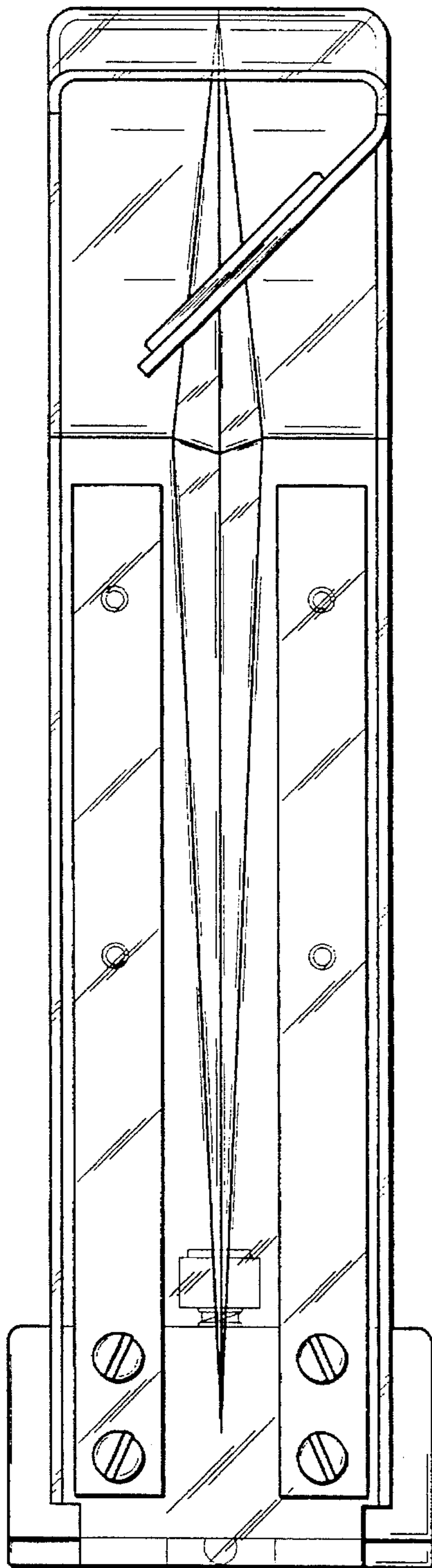


FIG. 3

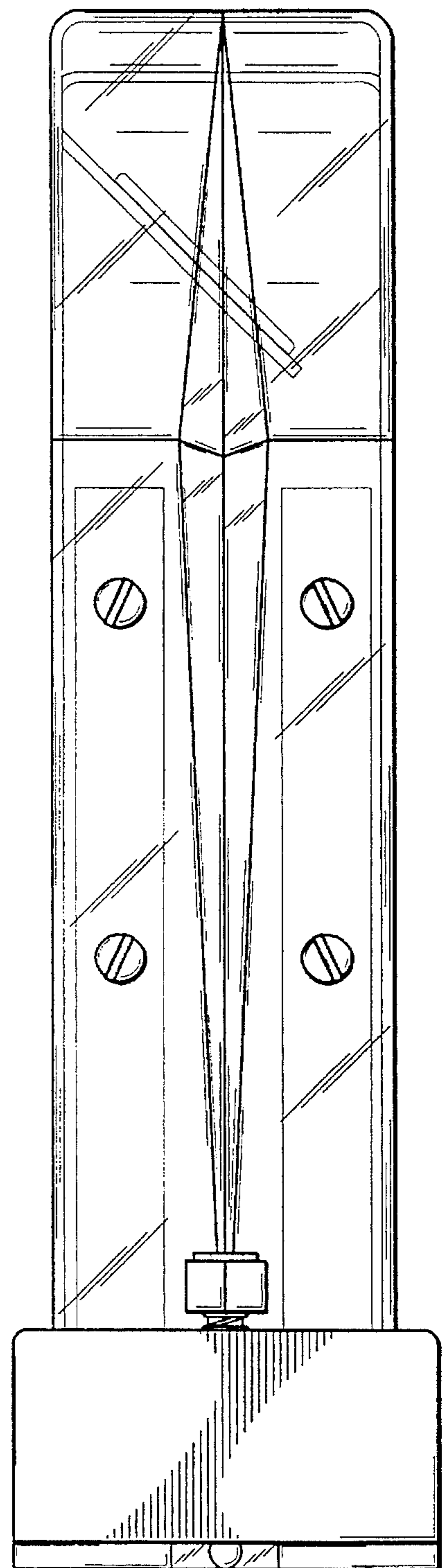


FIG. 4

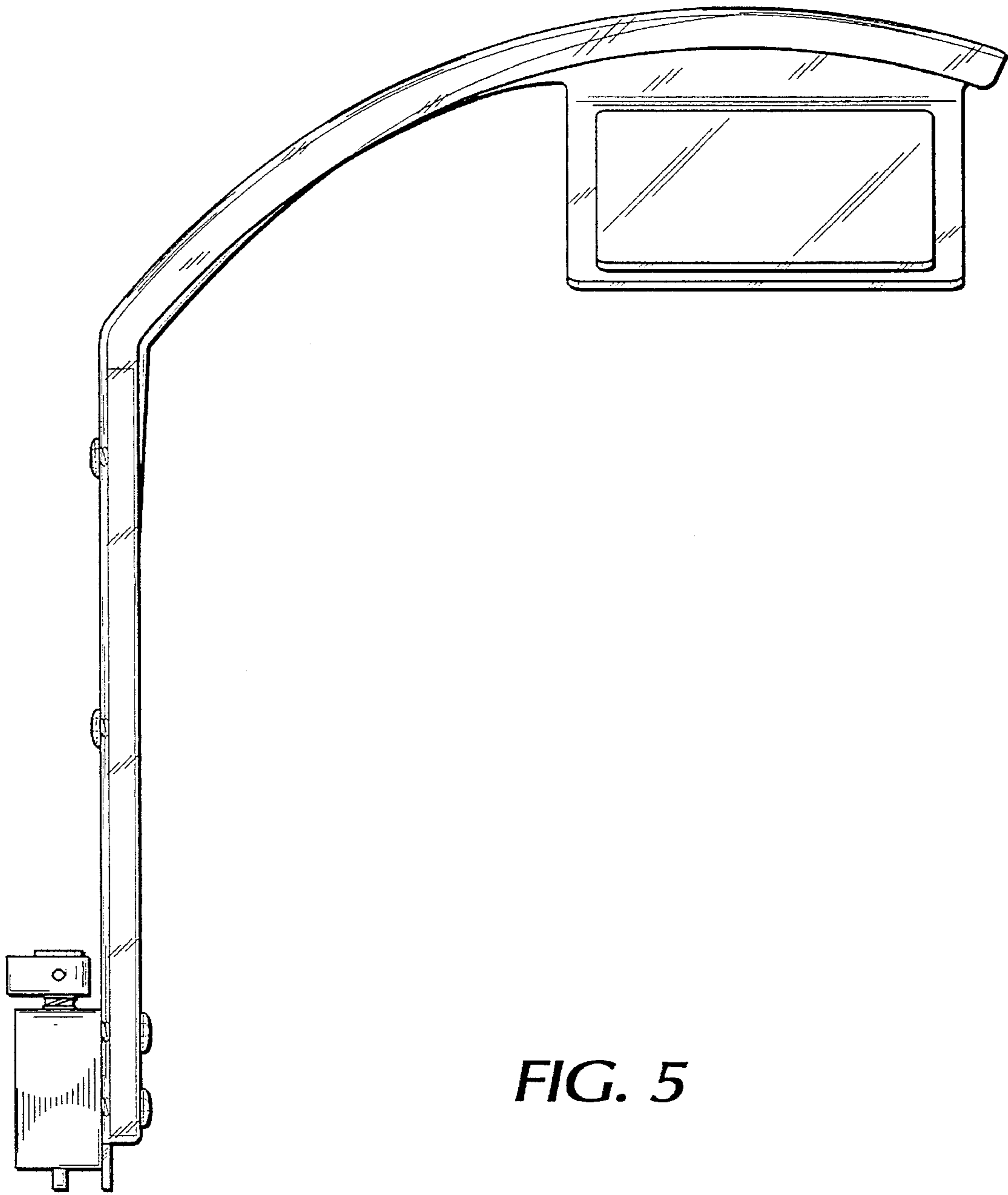


FIG. 5

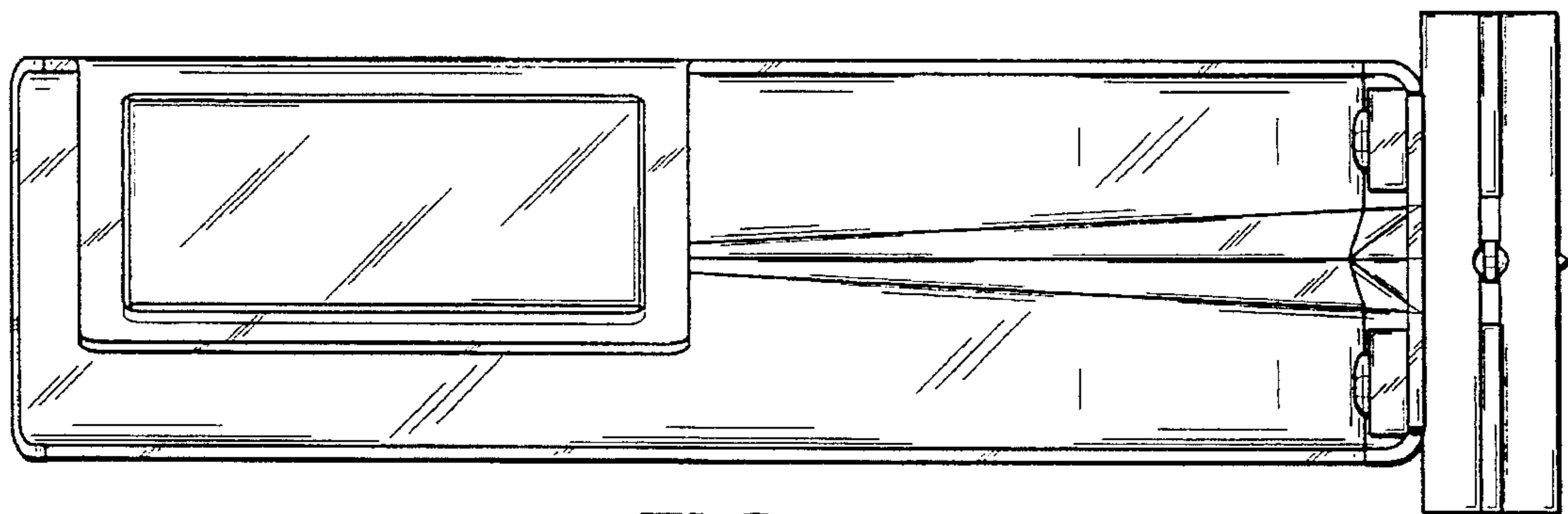


FIG. 7