



US00D370399S

United States Patent [19]
Bodnar

[11] **Patent Number:** **Des. 370,399**

[45] **Date of Patent:** ****Jun. 4, 1996**

[54] **CARTON OPENER**

4,567,655 2/1986 Jacobs 30/2
5,054,198 10/1991 Gmoch 30/2

[76] Inventor: **Attila Bodnar**, 618 Greenmount Ave.,
Cliffside Park, N.J. 07010

Primary Examiner—Philip S. Hyder
Attorney, Agent, or Firm—Arthur I. Degenholtz

[**] Term: **14 Years**

[57] **CLAIM**

[21] Appl. No.: **30,217**

The ornamental design for a carton opener, as shown and described.

[22] Filed: **Oct. 24, 1994**

[52] U.S. Cl. **D8/98**

[58] Field of Search D8/98, 99, 51;
30/2, 162, 317, 313, 314, 320

DESCRIPTION

FIG. 1 is a perspective view of a carton opener showing my new design;

FIG. 2 is a right side elevation view thereof;

FIG. 3 is a bottom plan view thereof;

FIG. 4 is a front elevation view thereof;

FIG. 5 is a top plan view thereof;

FIG. 6 is a rear elevation view thereof; and,

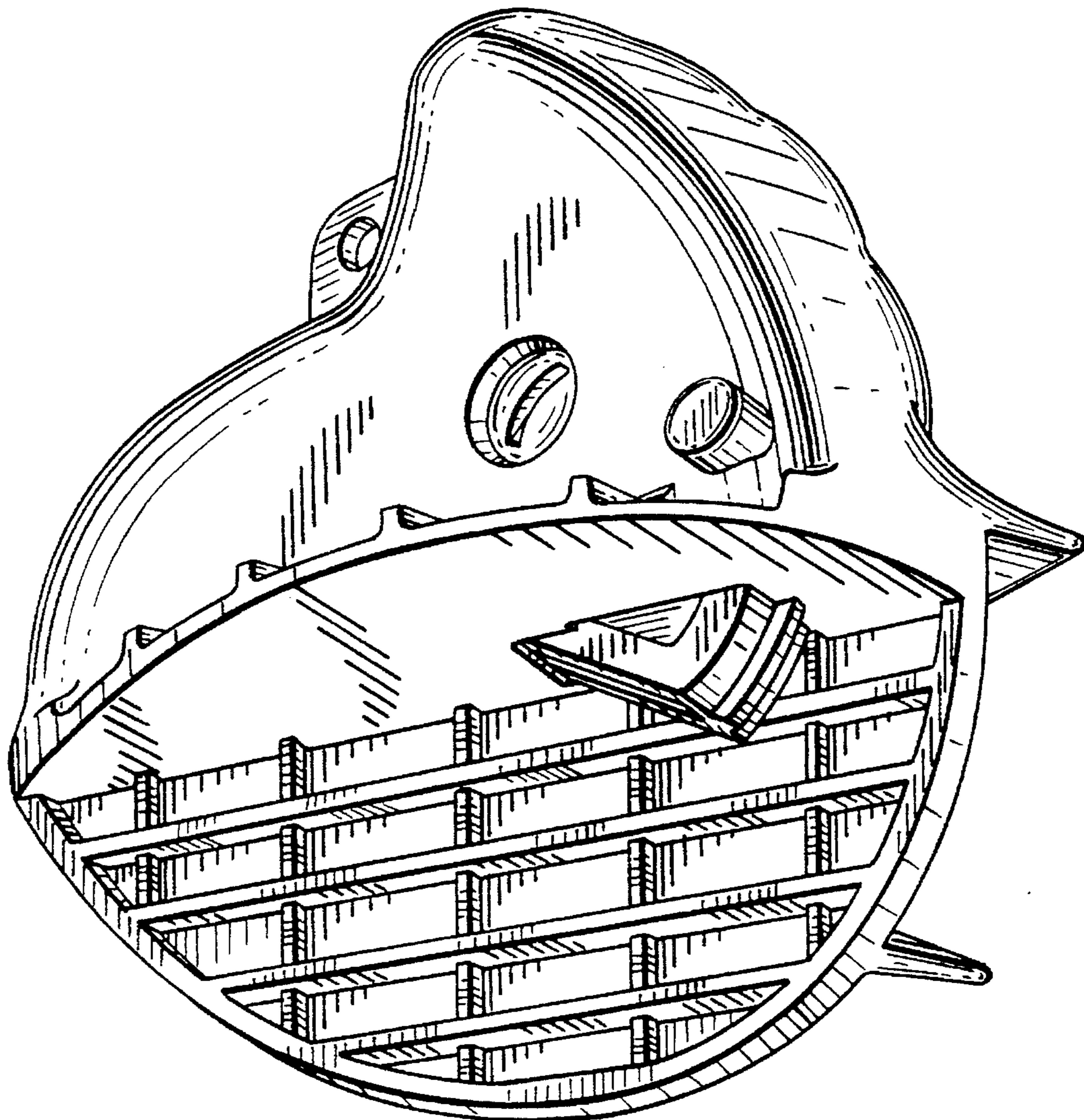
FIG. 7 is a left side elevation view thereof.

[56] **References Cited**

U.S. PATENT DOCUMENTS

D. 307,859	5/1990	Morrissey	D8/98
D. 337,930	8/1993	Jones, Jr.	D8/98
D. 337,931	8/1993	Dann	D8/98
2,896,318	7/1959	Brown	30/2
2,904,884	9/1959	Baum	30/2
4,493,148	1/1985	Ruff	30/2

1 Claim, 4 Drawing Sheets



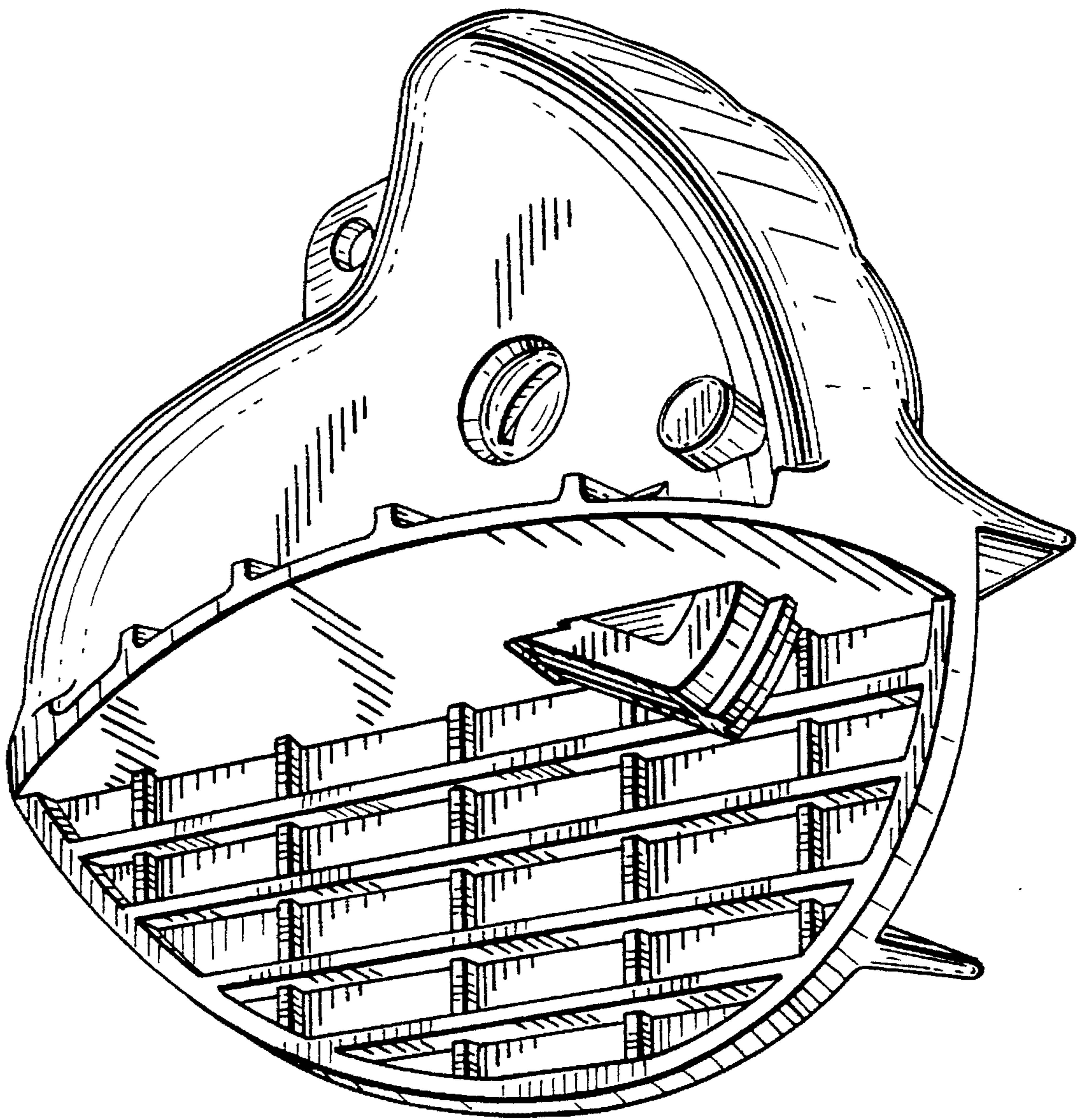


FIG. 1

FIG. 2

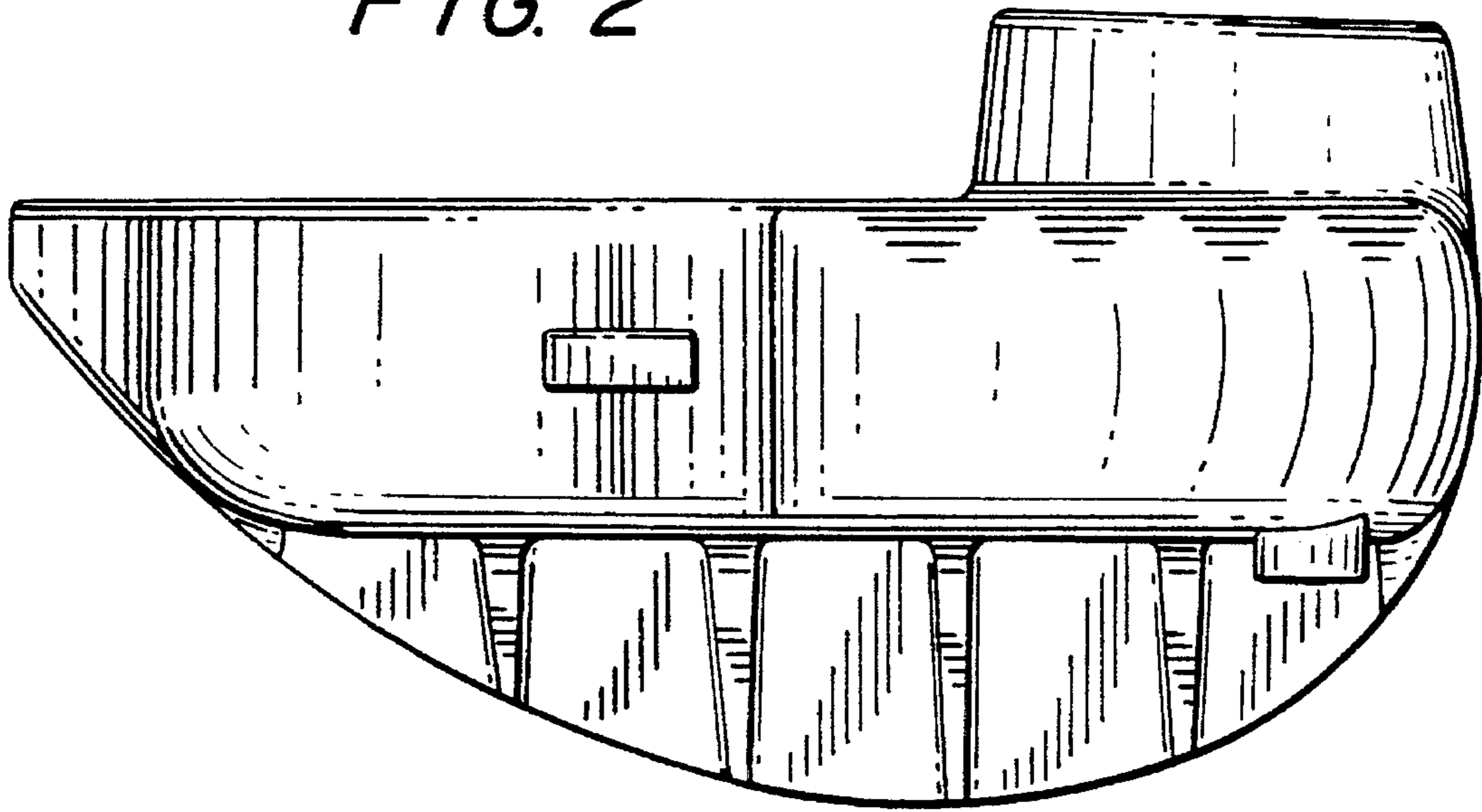


FIG. 3

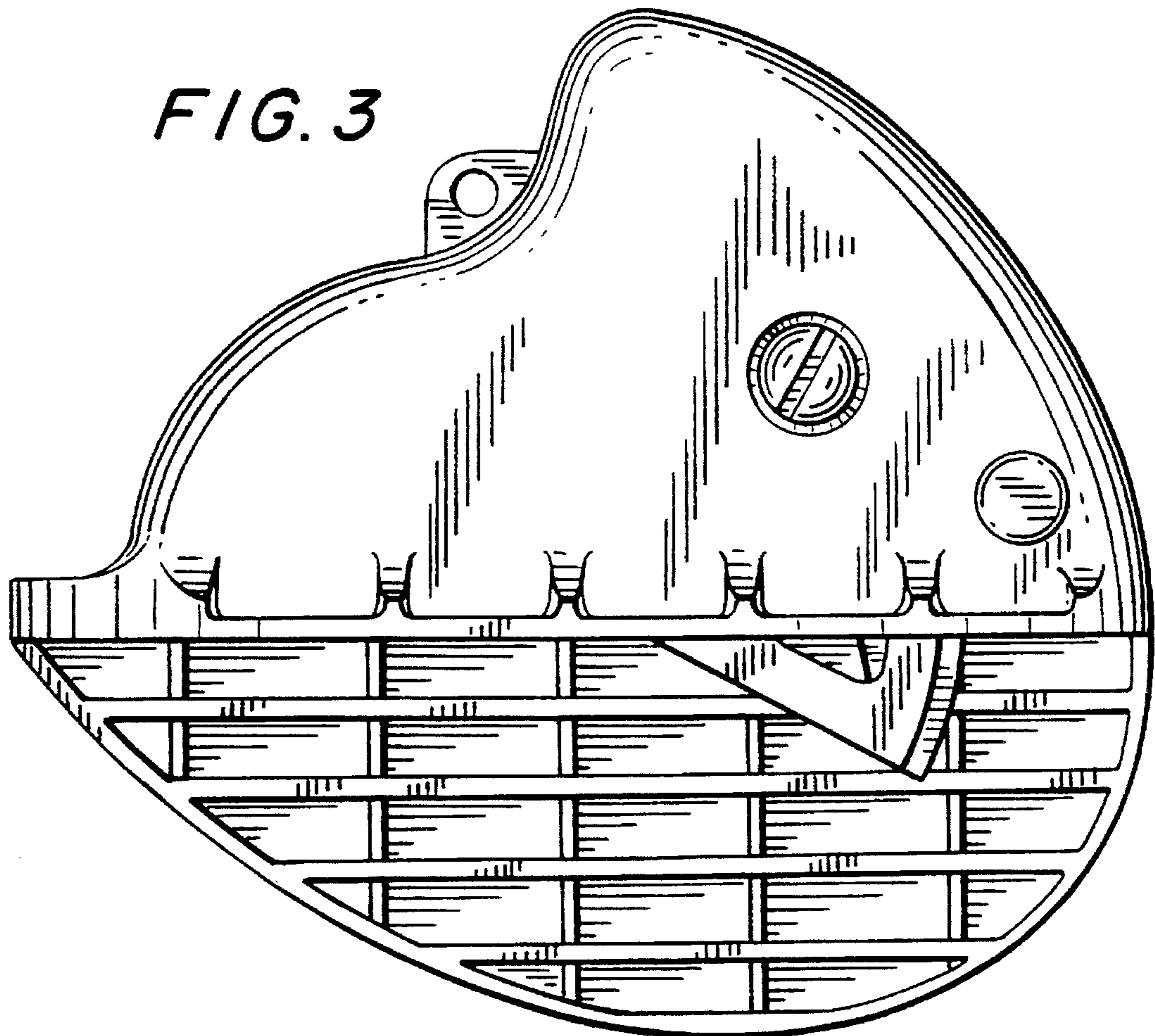


FIG. 5

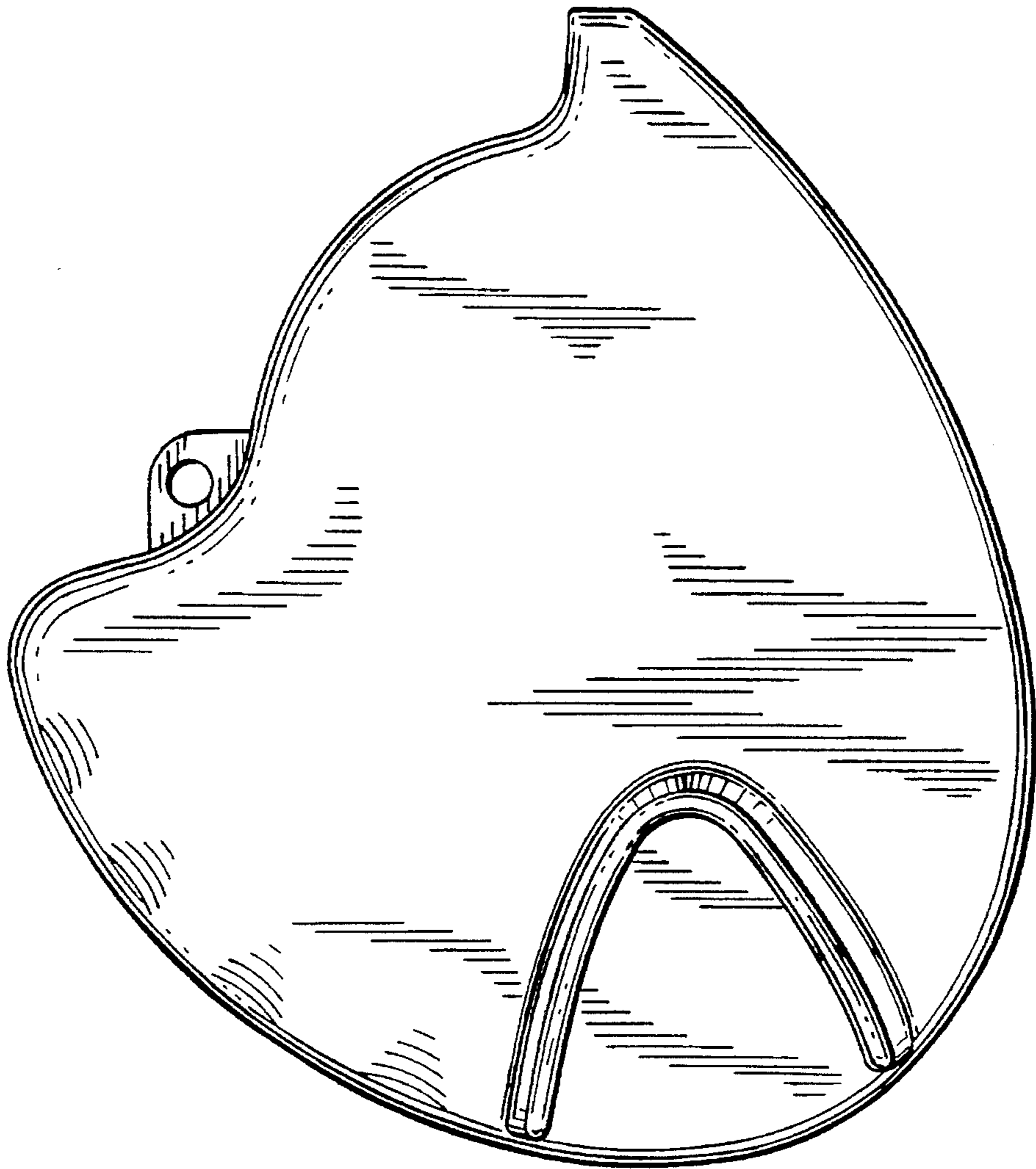


FIG. 4

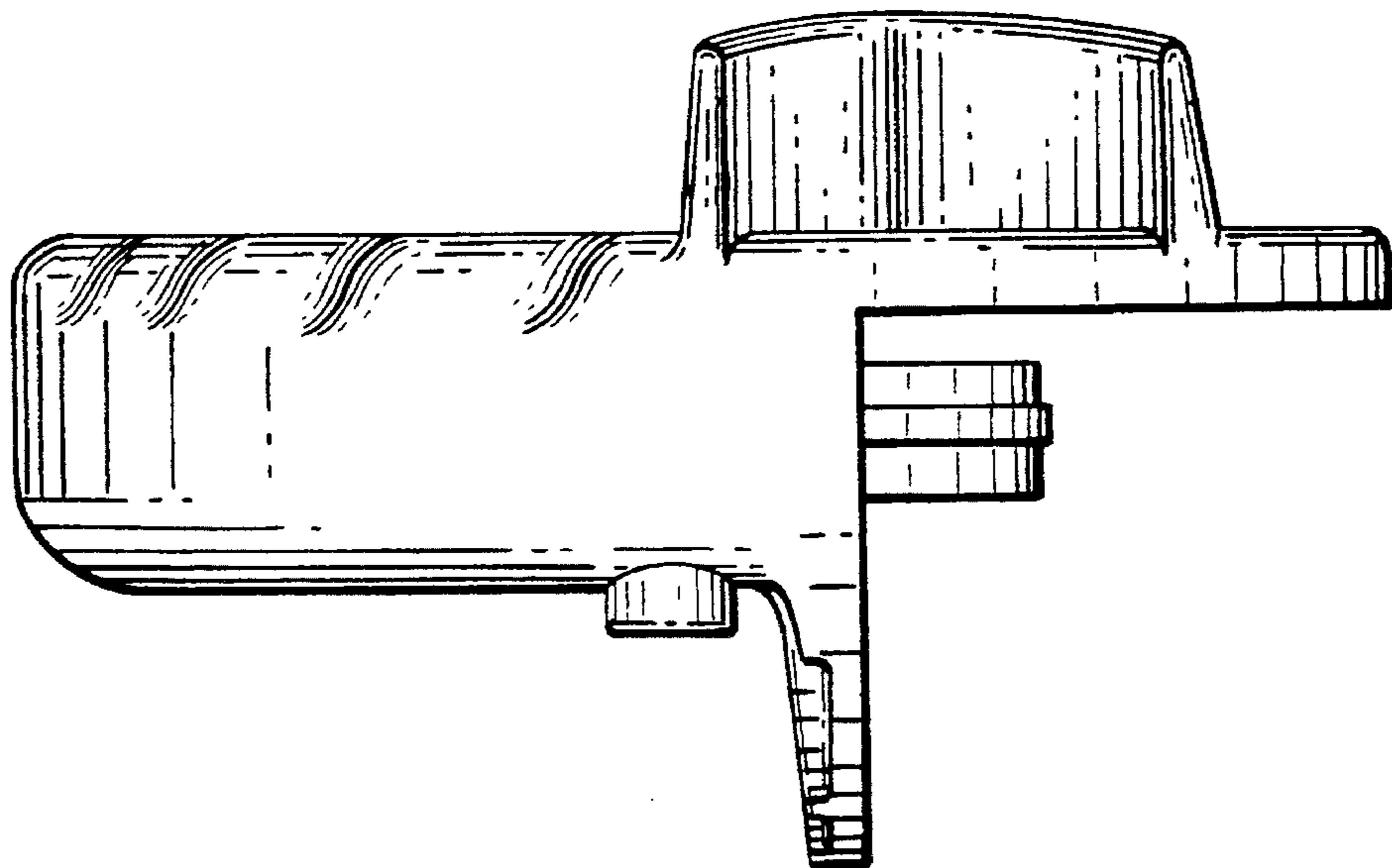


FIG. 6

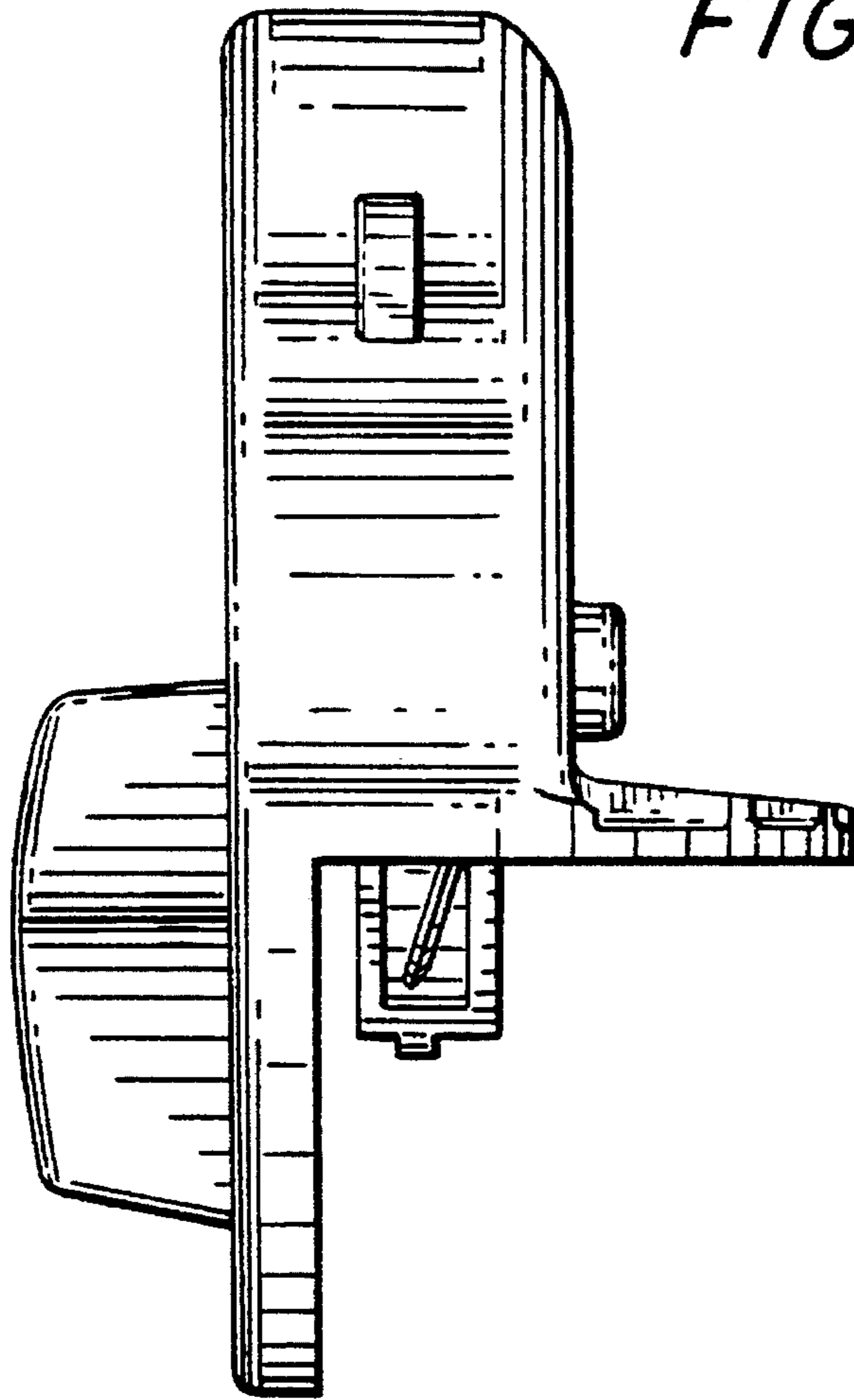


FIG. 7

