



US00D370397S

United States Patent [19]
White

[11] **Patent Number: Des. 370,397**

[45] **Date of Patent: **Jun. 4, 1996**

[54] **SHAFT SLEEVE PULLER**

4,989,311 2/1991 Rosin 29/259
4,989,312 2/1991 Maddalena 29/259

[76] Inventor: **Oscar A. White**, 4635 Brookforest Dr.,
Panama City, Fla. 32404

Primary Examiner—Philip S. Hyder

[**] Term: **14 Years**

[57] **CLAIM**

[21] Appl. No.: **20,367**

The ornamental design for a shaft sleeve puller, as shown and described.

[22] Filed: **Mar. 25, 1994**

DESCRIPTION

[52] **U.S. Cl.** **D8/51**

[58] **Field of Search** D8/14, 51; 294/258,
294/259, 260, 261, 262, 263, 264, 265,
266

FIG. 1 is an exploded front elevational view of the shaft sleeve puller showing my new design;
FIG. 2 is a rear elevational view thereof;
FIG. 3 is a left side elevational view thereof;
FIG. 4 is a right side elevational view thereof;
FIG. 5 is a top plan view thereof;
FIG. 6 is a bottom plan view thereof;
FIG. 7 is an isometric view thereof; and,
FIG. 8 is an isometric view thereof, with the cylindrical element assembled.

[56] **References Cited**

U.S. PATENT DOCUMENTS

4,492,014	1/1985	Alexander	29/259
4,502,197	3/1985	Harder	29/259
4,507,838	4/1985	Hacker	29/264
4,672,731	6/1987	Taylor	29/259
4,771,528	9/1988	Stromberg	29/259

1 Claim, 5 Drawing Sheets

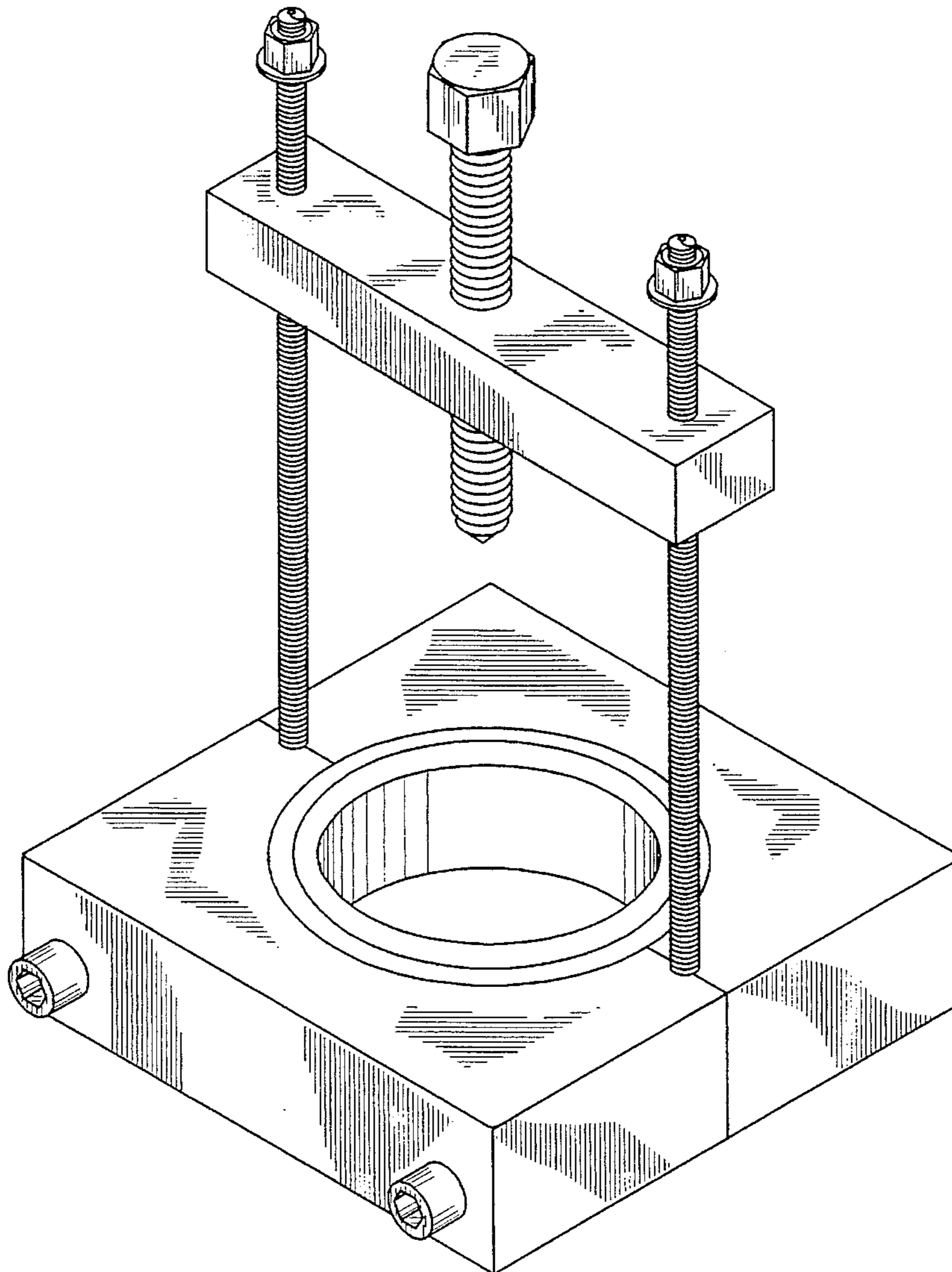


FIG. 1

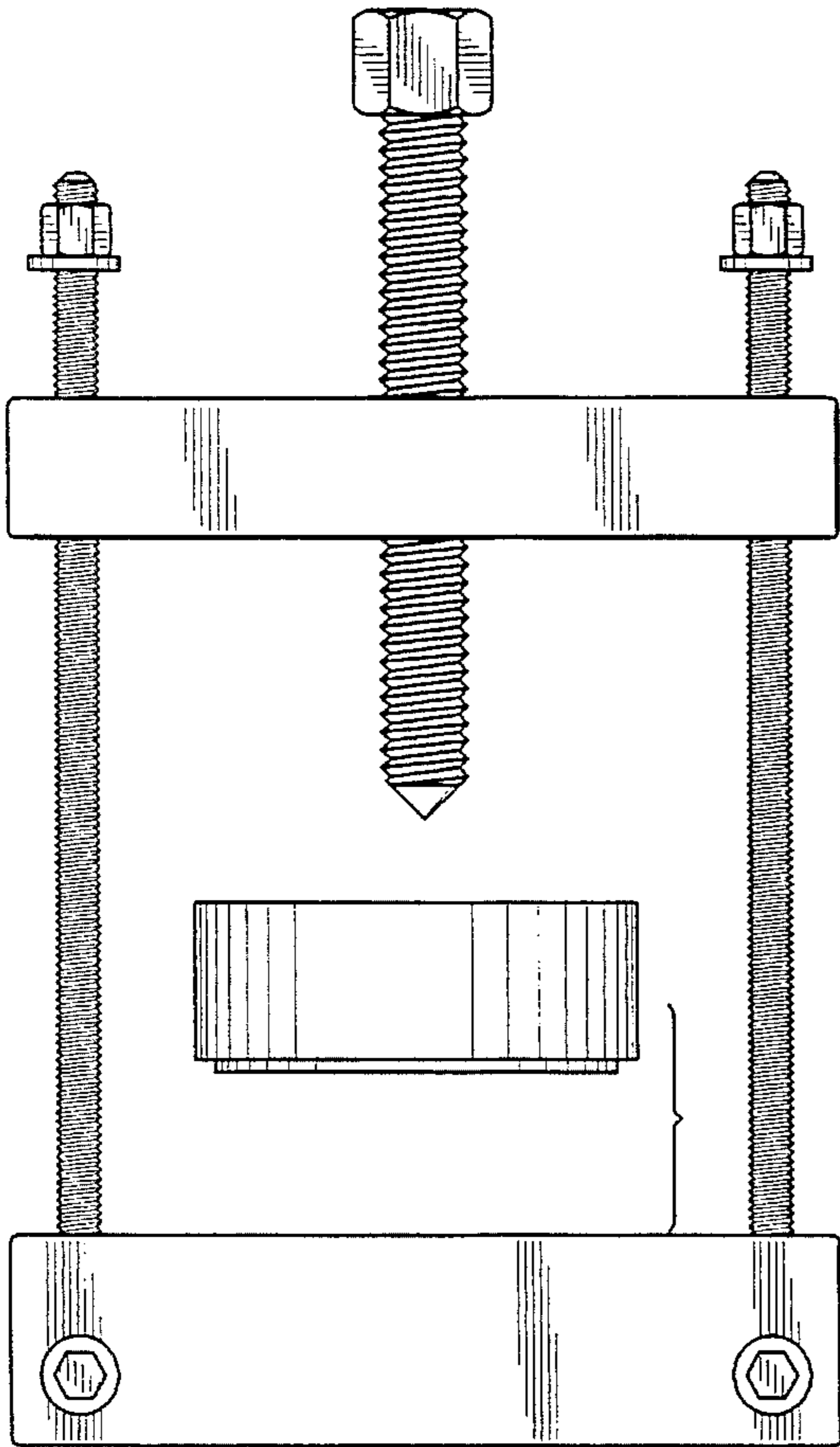


FIG. 2

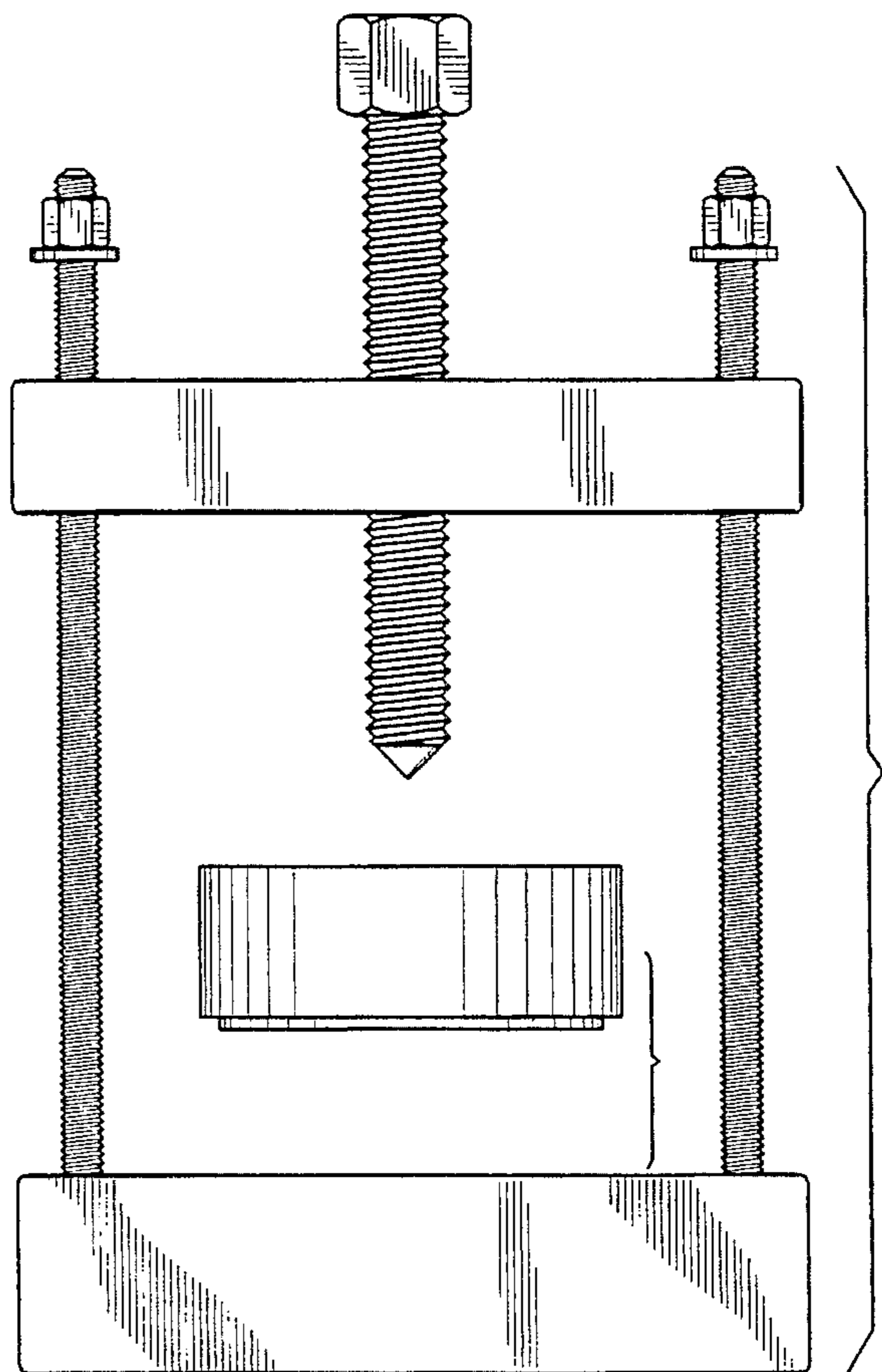


FIG. 3

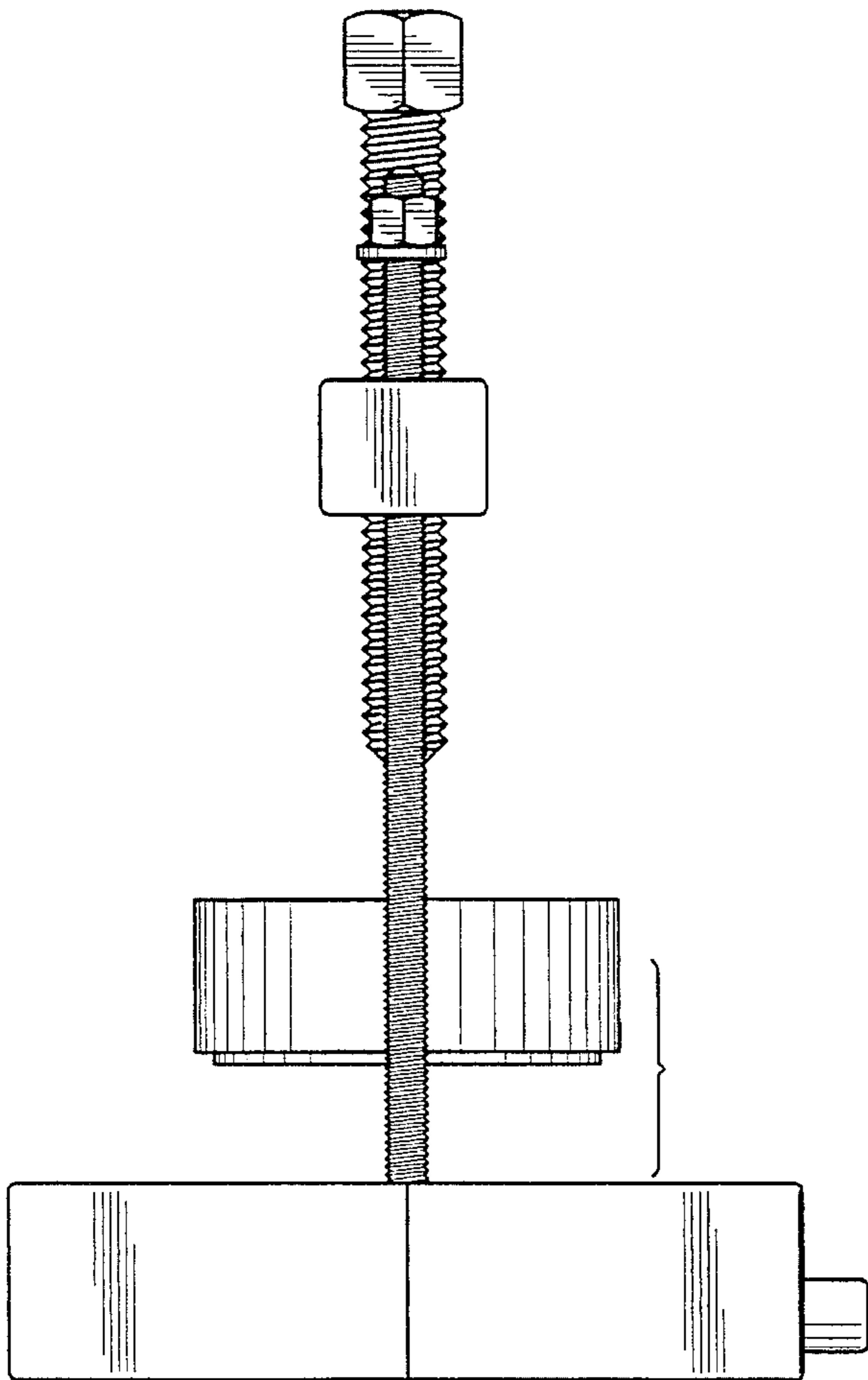


FIG. 4

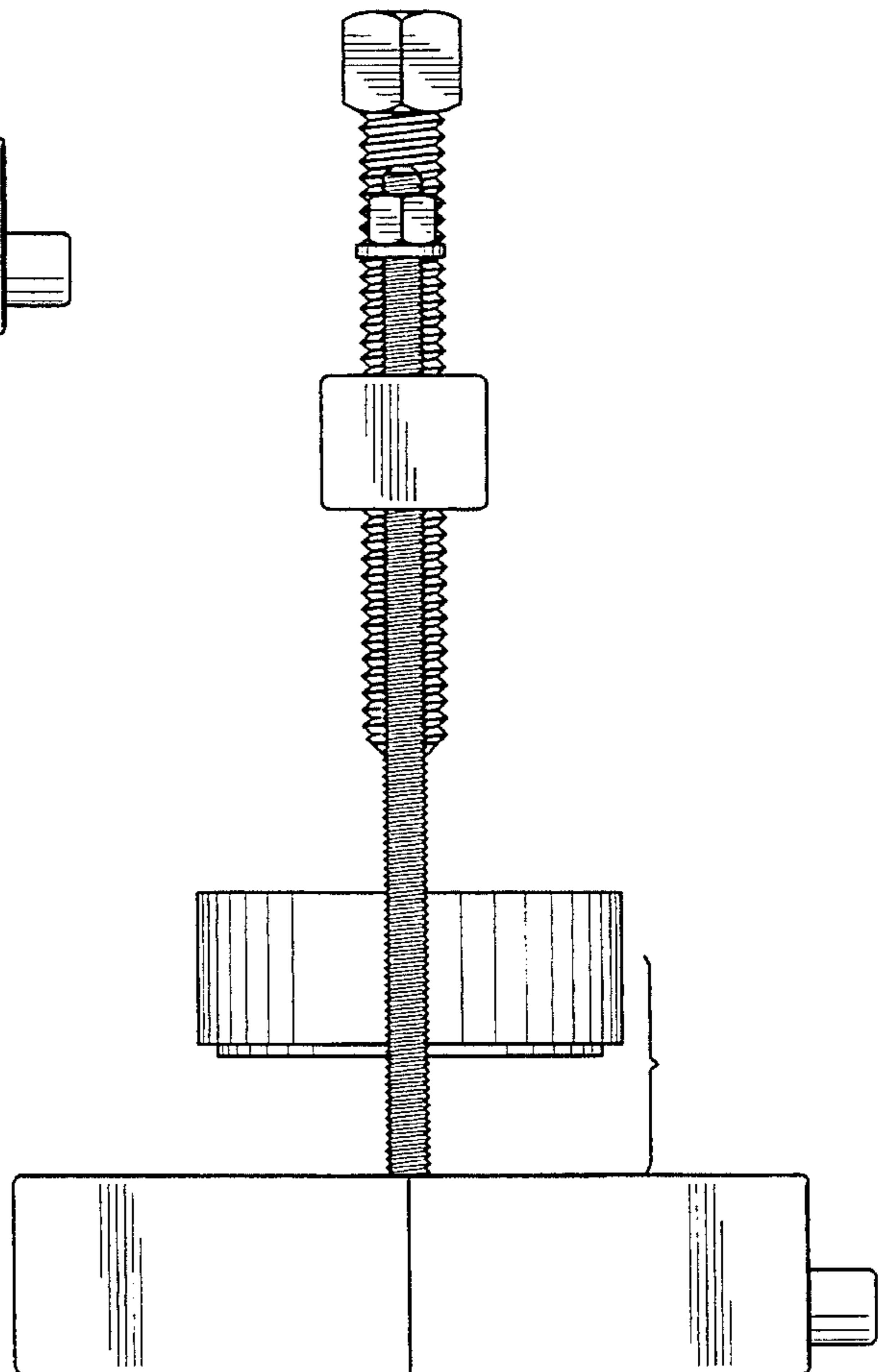


FIG. 5

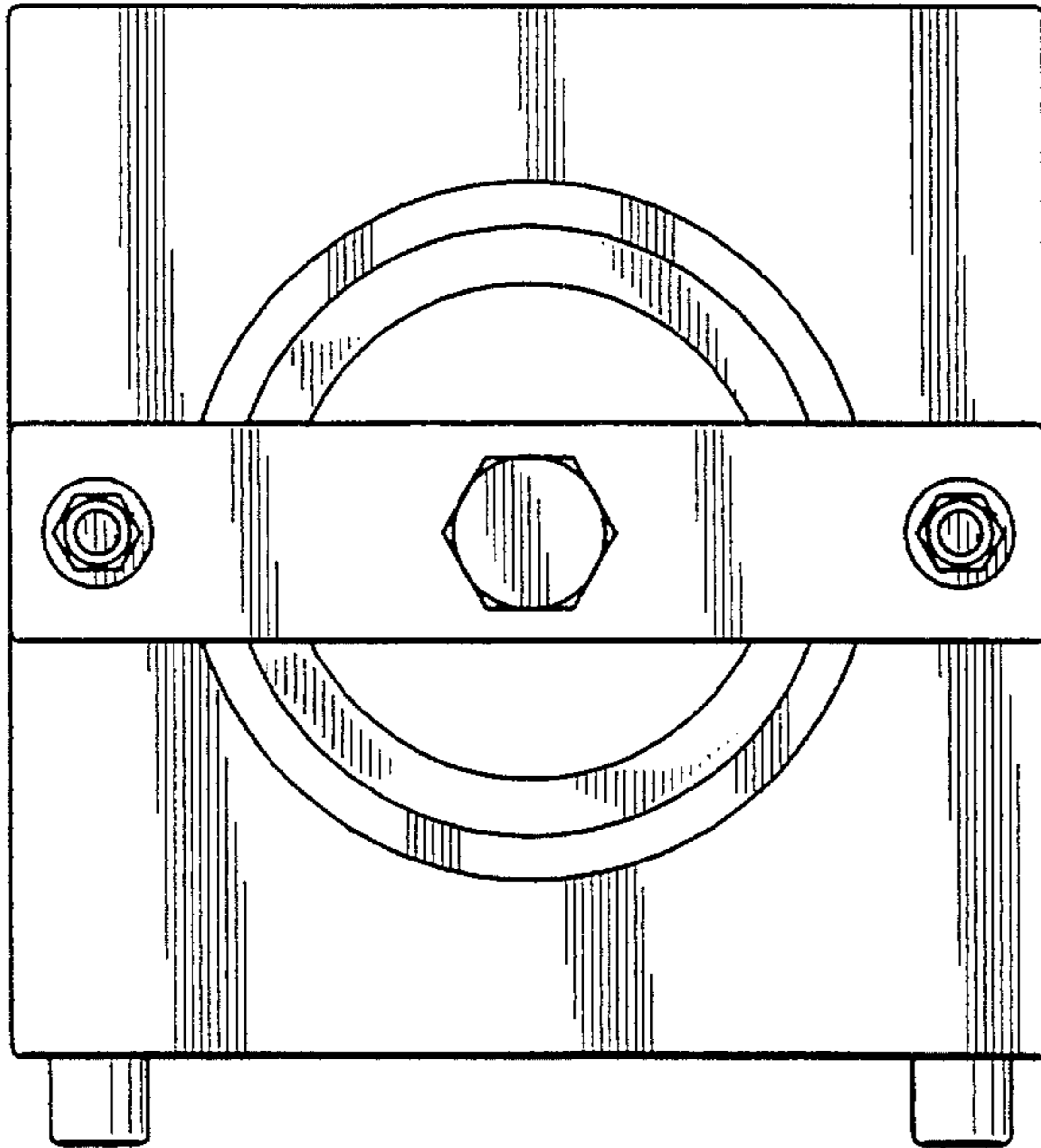


FIG. 6

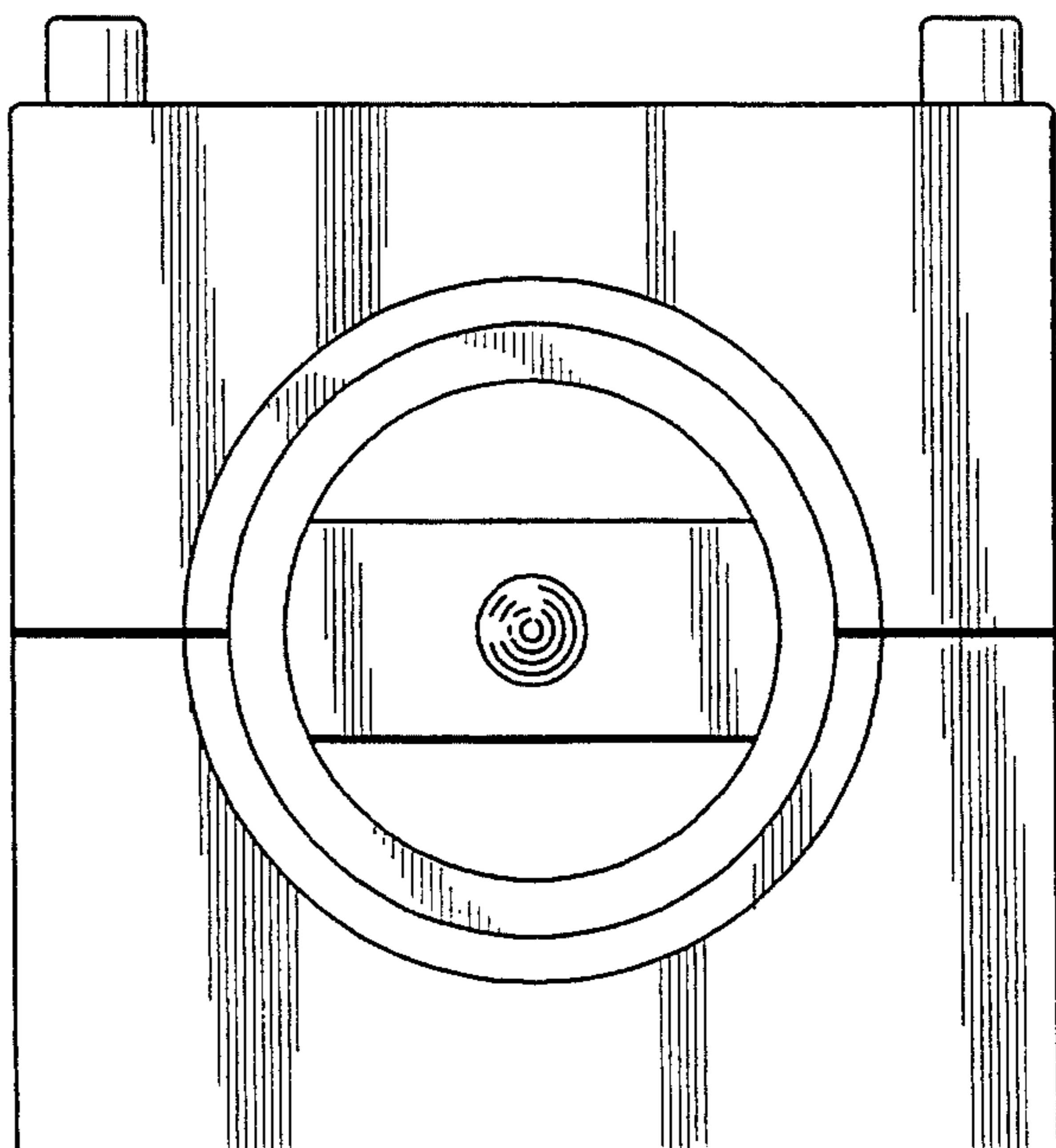


FIG. 7

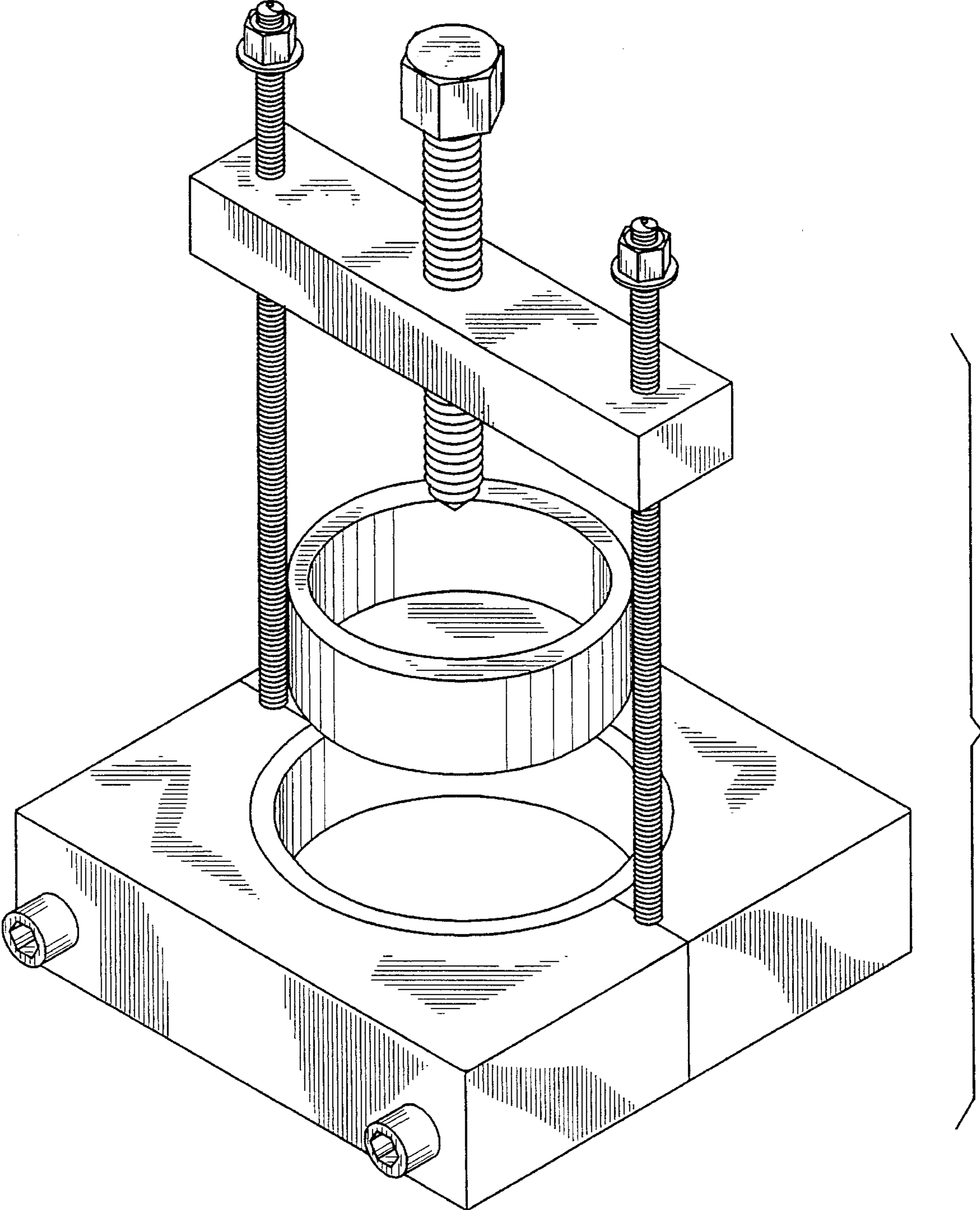


FIG. 8

