



US00D370396S

# United States Patent [19]

[11] Patent Number: **Des. 370,396**

Belanger et al.

[45] Date of Patent: **\*\*Jun. 4, 1996**

[54] **PALM FEED GLUE GUN**  
[75] Inventors: **Richard A. Belanger**, Kensington;  
**Peter S. Melendy**, Brentwood, both of  
N.H.

4,621,748 11/1986 Dziki .  
4,658,991 4/1987 Dziki .  
4,664,296 5/1987 Dziki .  
4,951,846 8/1990 Oster et al. .... D8/30

### OTHER PUBLICATIONS

[73] Assignee: **Adhesive Technologies**, Hampton, N.H.  
[\*\*] Term: **14 Years**

“Secret Weapon” advertisement for 3M Polygun® TC adhesive gun, *New Equipment Digest*, May, 1988, p. 100.

[21] Appl. No.: **30,251**

*Primary Examiner*—Alan P. Douglas  
*Assistant Examiner*—Robert M. Spear  
*Attorney, Agent, or Firm*—Dickinson, Wright, Moon, Van Dusen & Freeman

[22] Filed: **Oct. 25, 1994**

[52] U.S. Cl. .... **D8/14.1; D8/30**

[58] Field of Search ..... D8/14.1, 29.1,  
D8/30, 61, 68; D15/144.2; D19/66, 68;  
222/146.5

### [57] CLAIM

The ornamental design for a palm feed glue gun, as shown and described.

### [56] References Cited

### DESCRIPTION

#### U.S. PATENT DOCUMENTS

D. 82,725	12/1930	Butler	.....	D8/14.1
D. 279,074	6/1985	Honeyman et al.	.....	D8/14.1
D. 280,072	8/1985	Dziki	.	
D. 307,379	4/1990	Knispel	.....	D8/14.1
D. 316,019	4/1991	Belanger	.....	D8/68
4,457,457	7/1984	Dziki	.	
4,523,705	6/1985	Belanger et al.	.	
4,552,287	11/1985	Dziki	.	
4,561,569	12/1985	Dziki	.	

FIG. 1 is a right side elevation view of a palm feed glue gun showing our new design. The left side elevation view is a mirror image thereof;

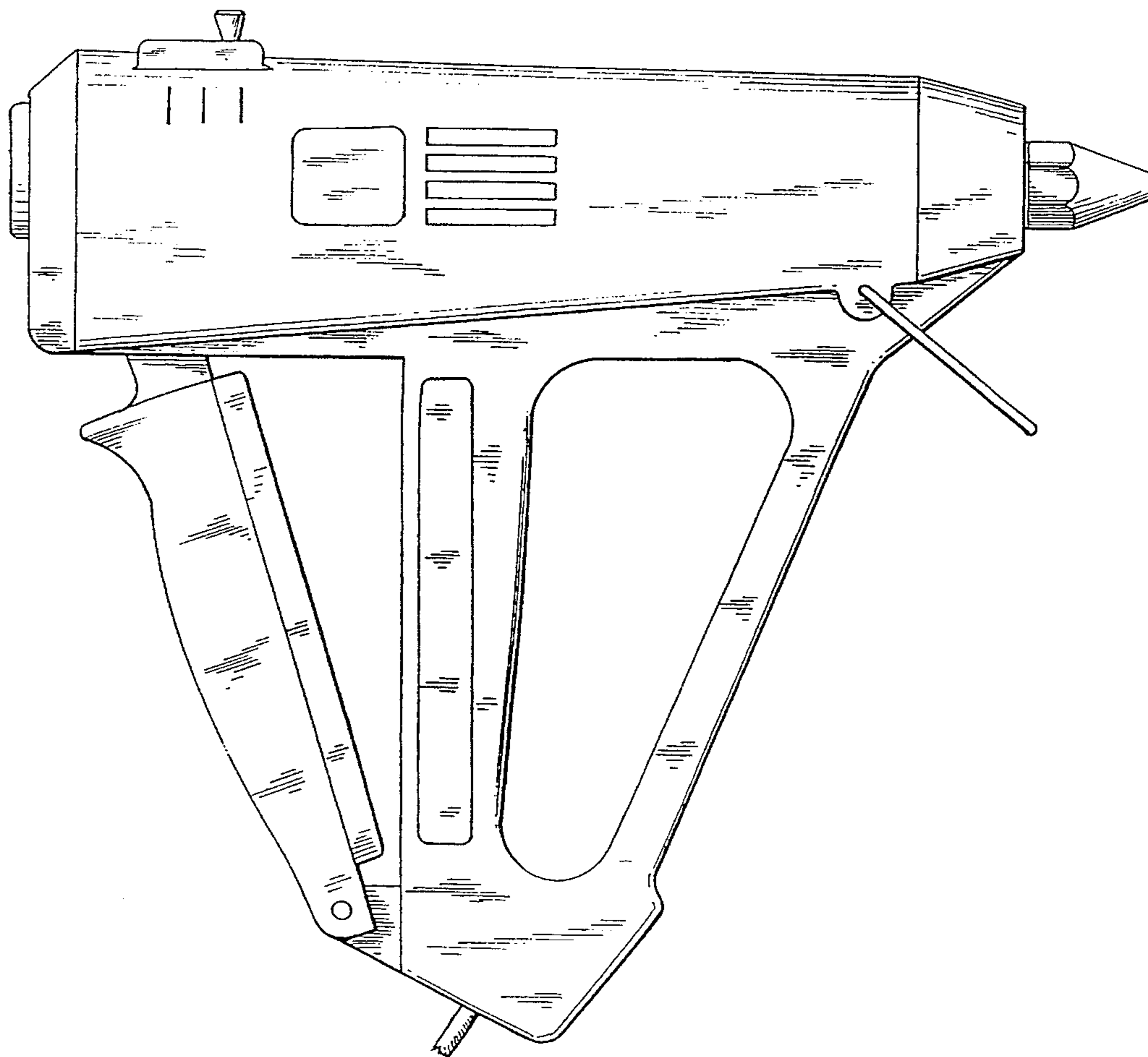
FIG. 2 is a front elevation view thereof;

FIG. 3 is a rear elevation view thereof;

FIG. 4 is a top plan view thereof; and,

FIG. 5 is a bottom plan view thereof.

**1 Claim, 2 Drawing Sheets**



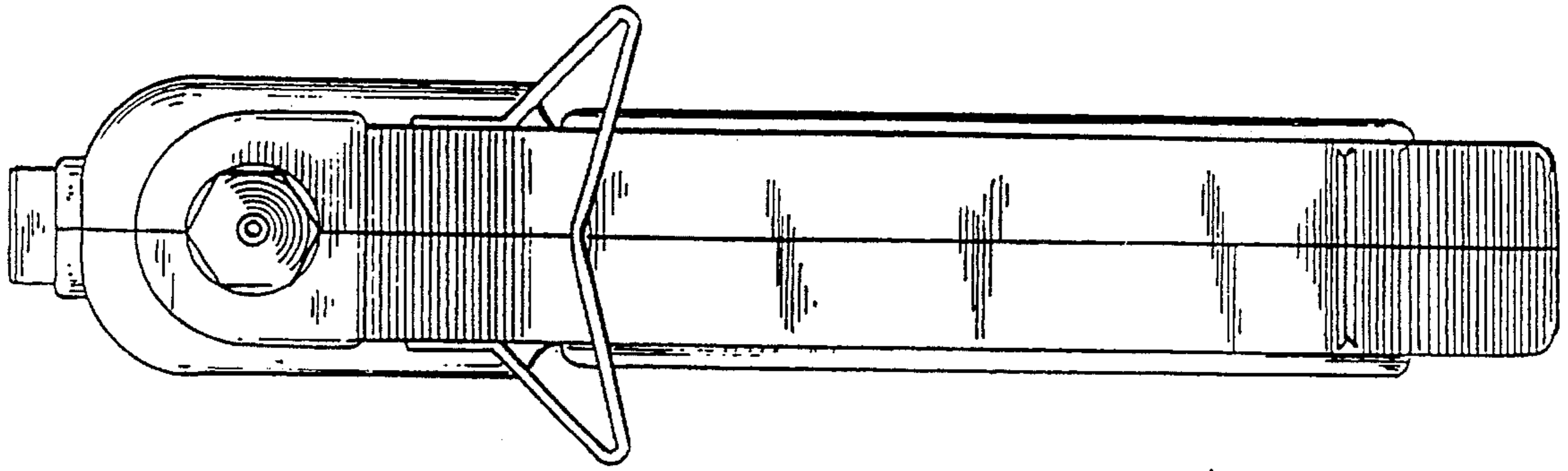


FIG. 2

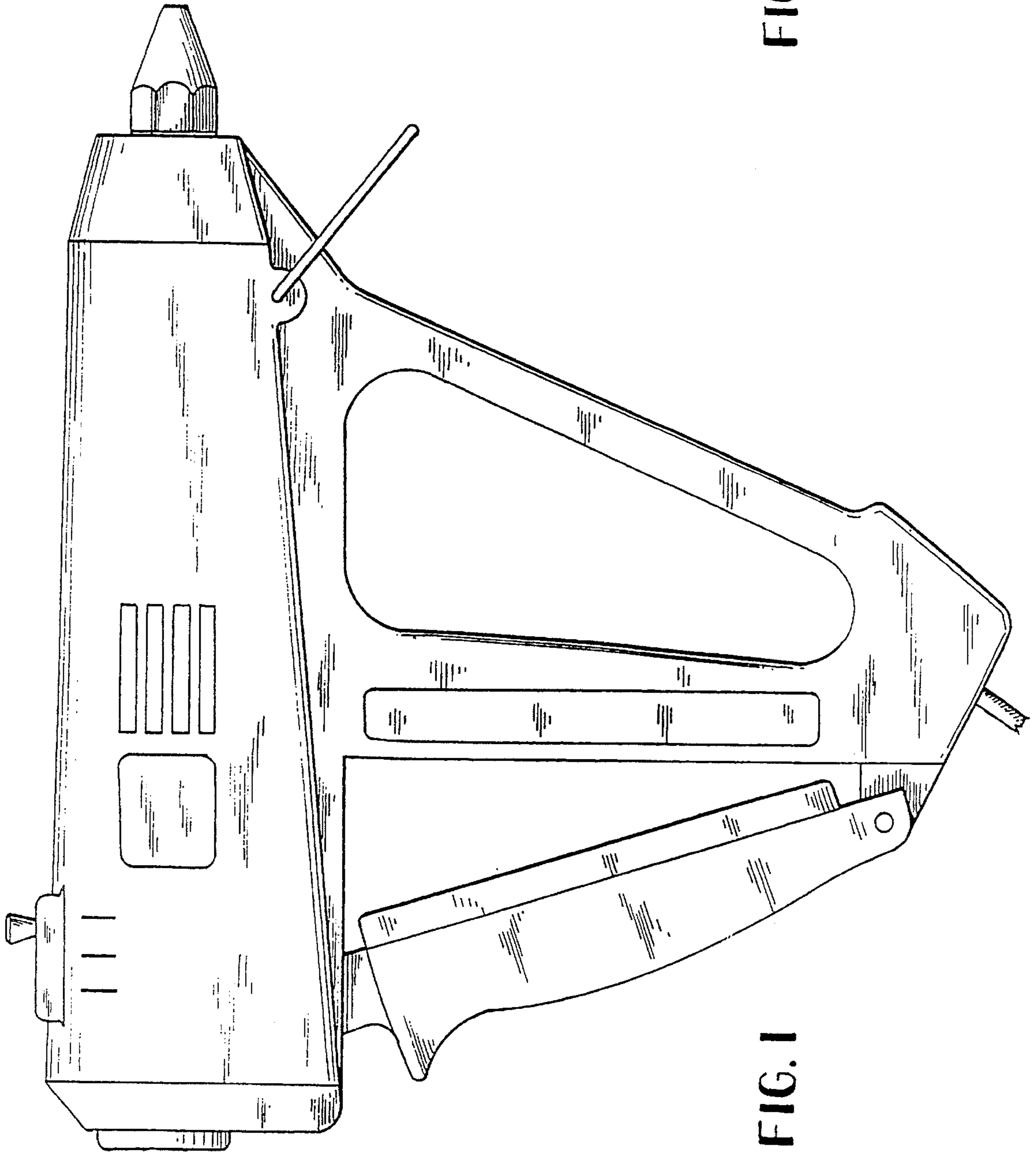


FIG. 1

FIG. 4

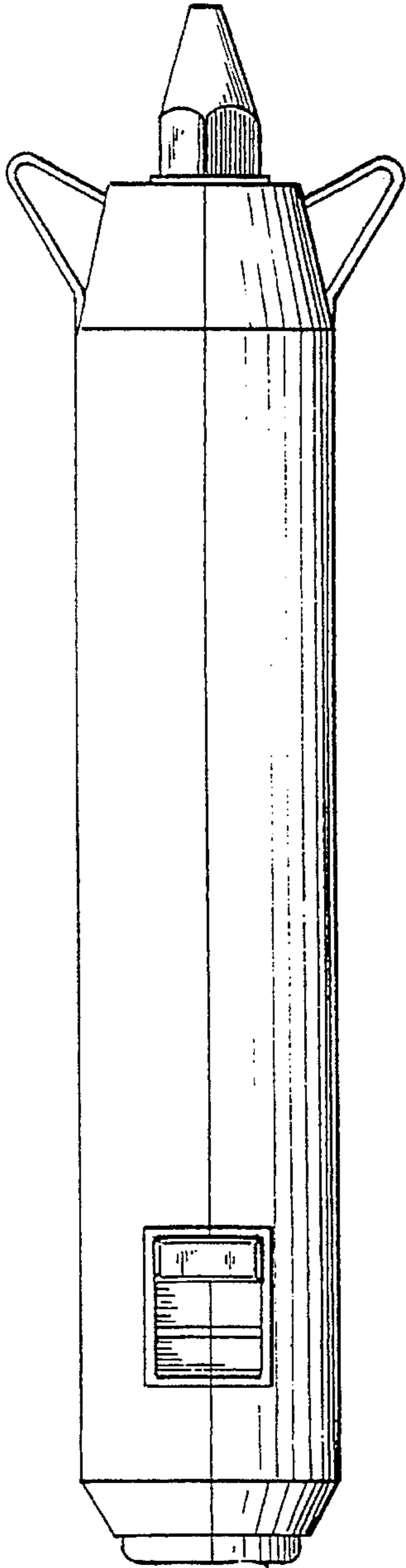


FIG. 5

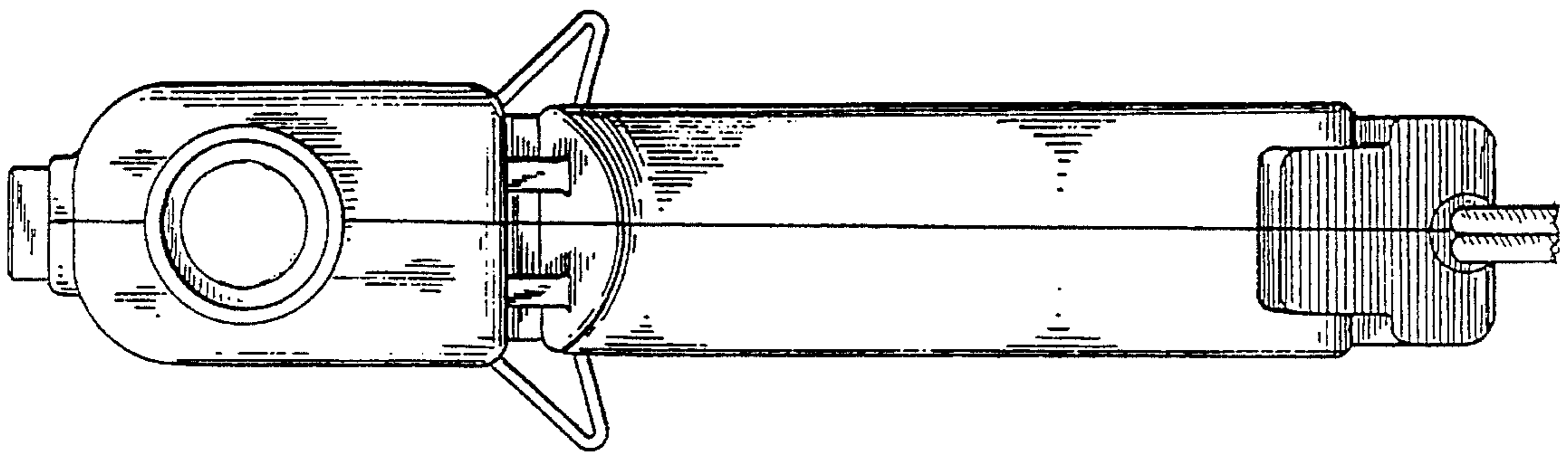
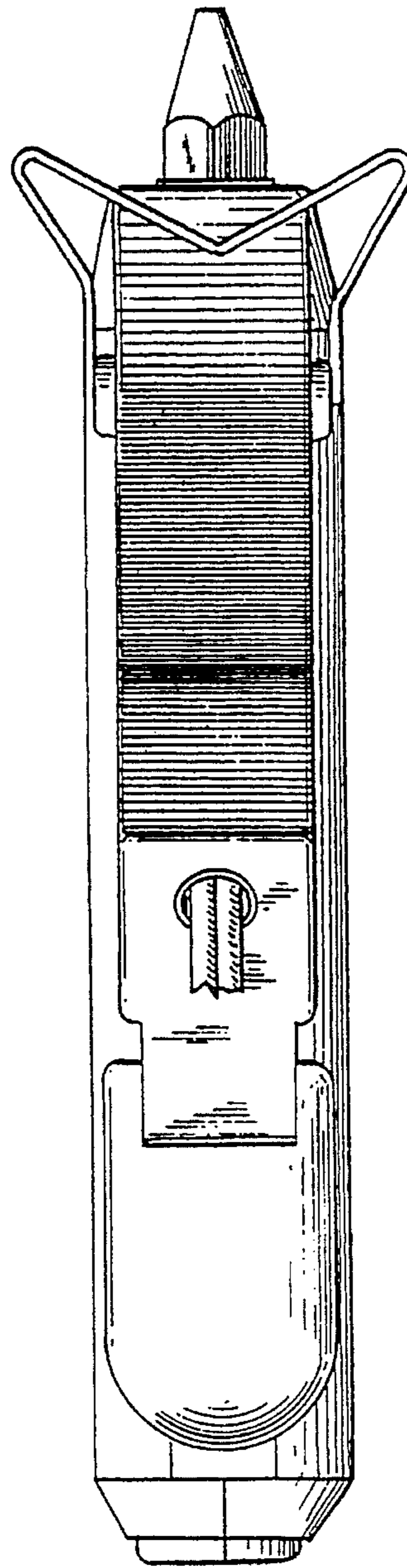


FIG. 3