



US00D370394S

United States Patent [19]
Lilley

[11] **Patent Number:** **Des. 370,394**
[45] **Date of Patent:** ****Jun. 4, 1996**

[54] **LANDSCAPE BARRIER FOR LAWN AND GARDEN USE**

D. 316,951 5/1991 Groves D8/1
D. 354,660 1/1995 Lilley D8/1

[76] Inventor: **Eugene H. Lilley**, 1049 Palmyra Dr.,
Tega Cay, S.C. 29715

Primary Examiner—A. Hugo Word
Assistant Examiner—Holly Baynham
Attorney, Agent, or Firm—Ralph H. Dougherty; Scott E. Hanf

[**] Term: **14 Years**

[21] Appl. No.: **30,857**

[57] **CLAIM**

[22] Filed: **Nov. 10, 1994**

The ornamental design for a landscape barrier for lawn and garden use, as shown and described.

Related U.S. Application Data

DESCRIPTION

[63] Continuation-in-part of Ser. No. 837,436, Feb. 14, 1992, Pat. No. Des. 354,660.

FIG. 1 is an isometric view of a landscape barrier for lawn and garden use showing my new design;

[52] **U.S. Cl.** **D8/1**

FIG. 2 is a front view thereof;

[58] **Field of Search** D8/1; D25/113-119,
D25/164; 47/33; 52/233

FIG. 3 is a top view thereof;

FIG. 4 is a left end view thereof;

FIG. 5 is a rear view thereof;

FIG. 6 is a right end view thereof; and,

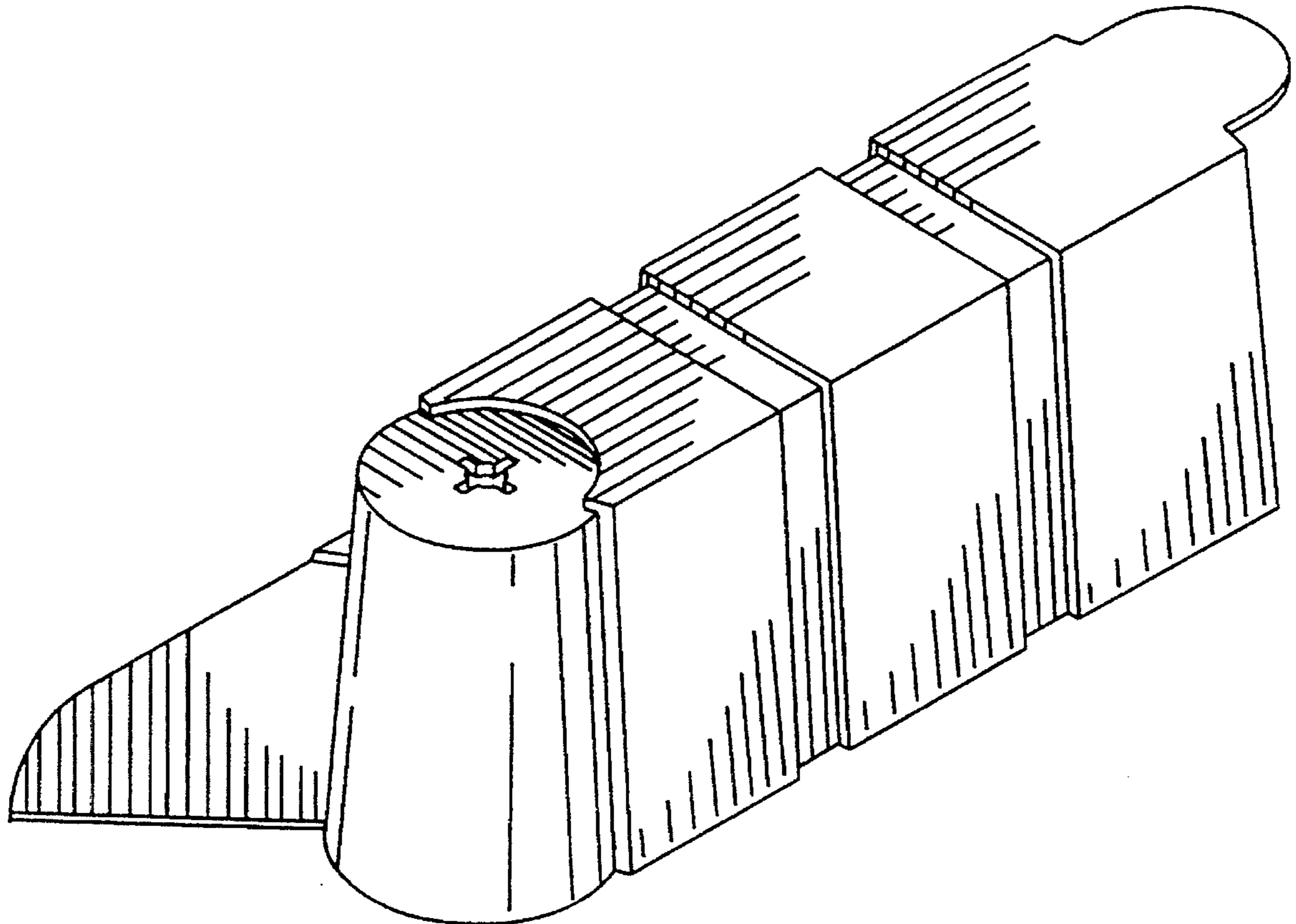
FIG. 7 is a bottom view thereof.

[56] **References Cited**

U.S. PATENT DOCUMENTS

D. 292,474 10/1987 Young D8/1

1 Claim, 2 Drawing Sheets



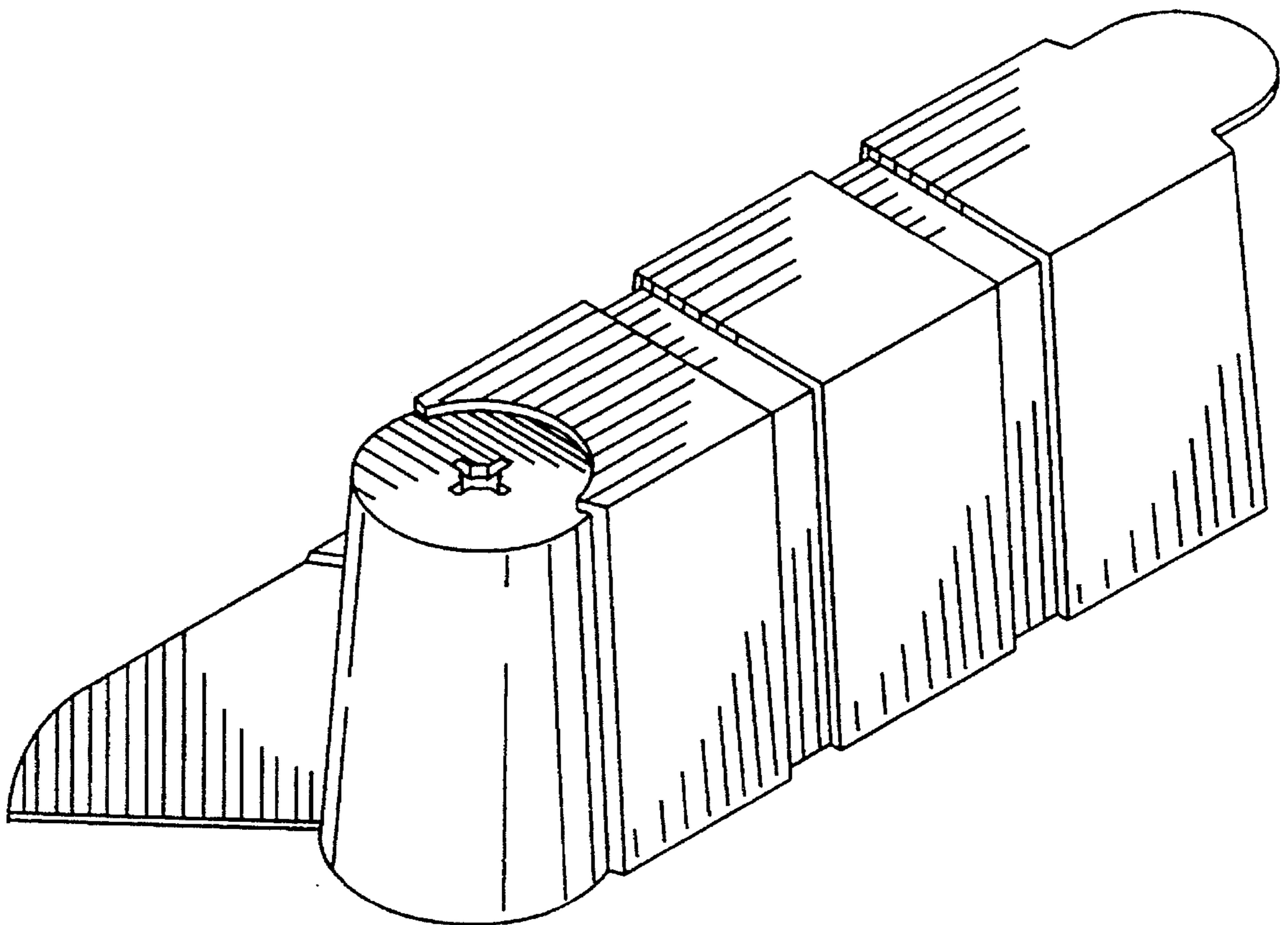


Fig. 1

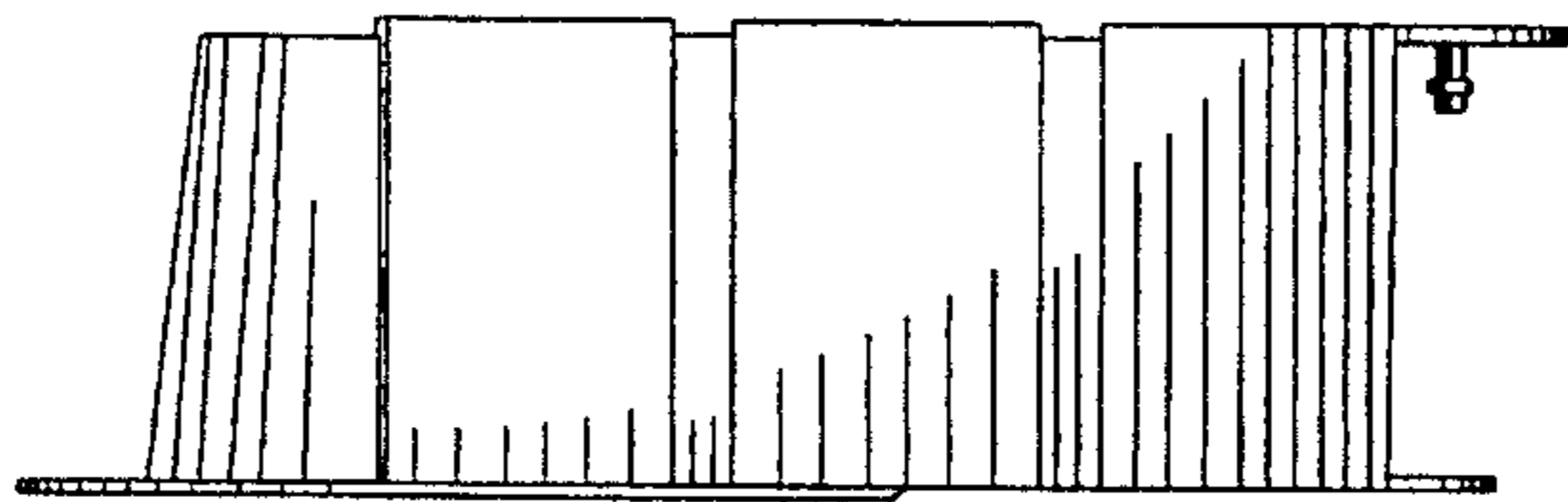


Fig. 2

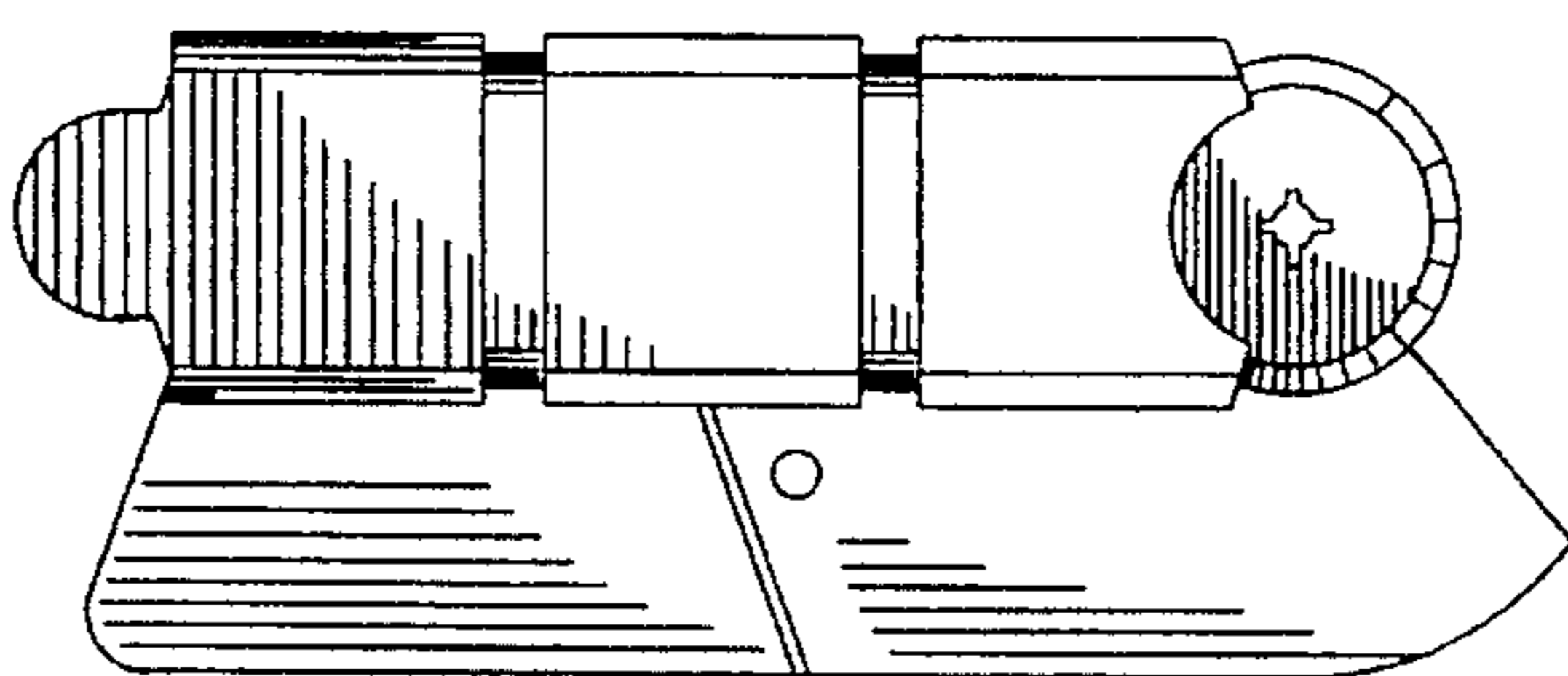


Fig. 3

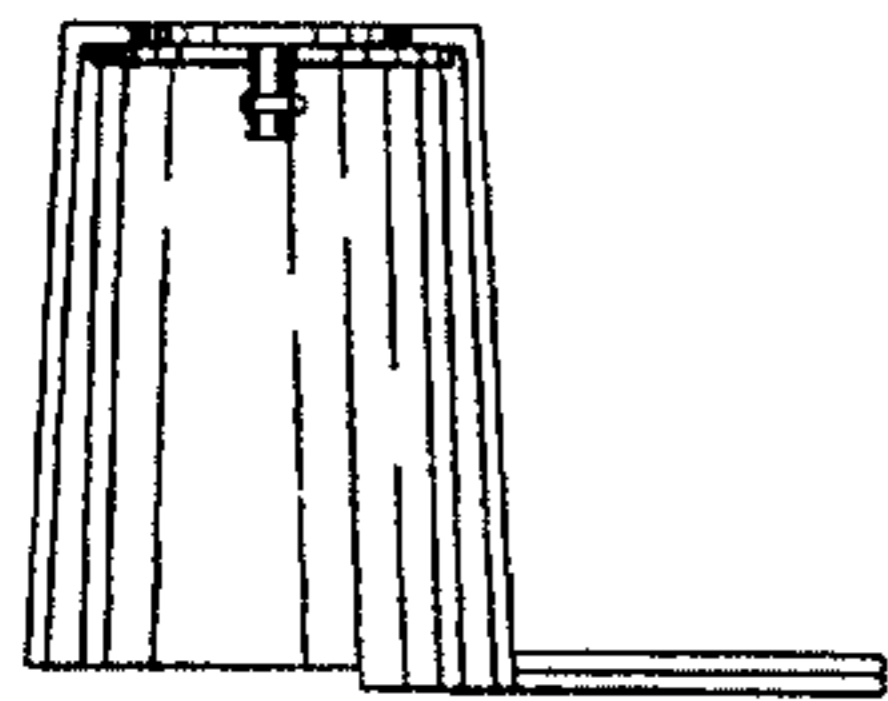


Fig. 4

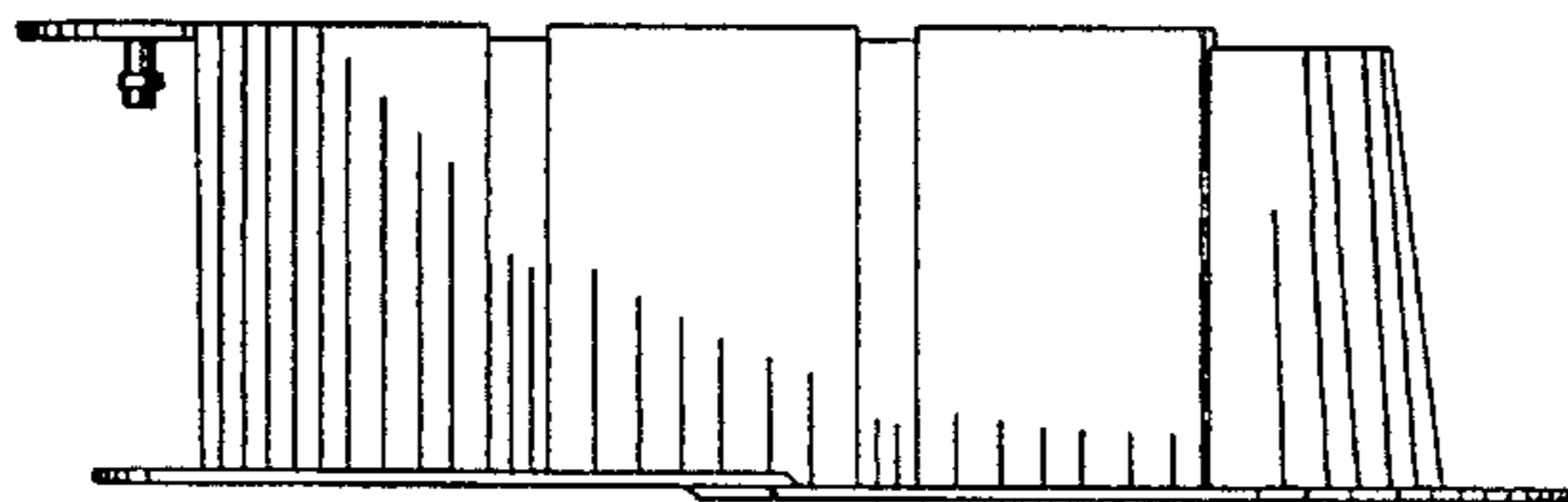


Fig. 5

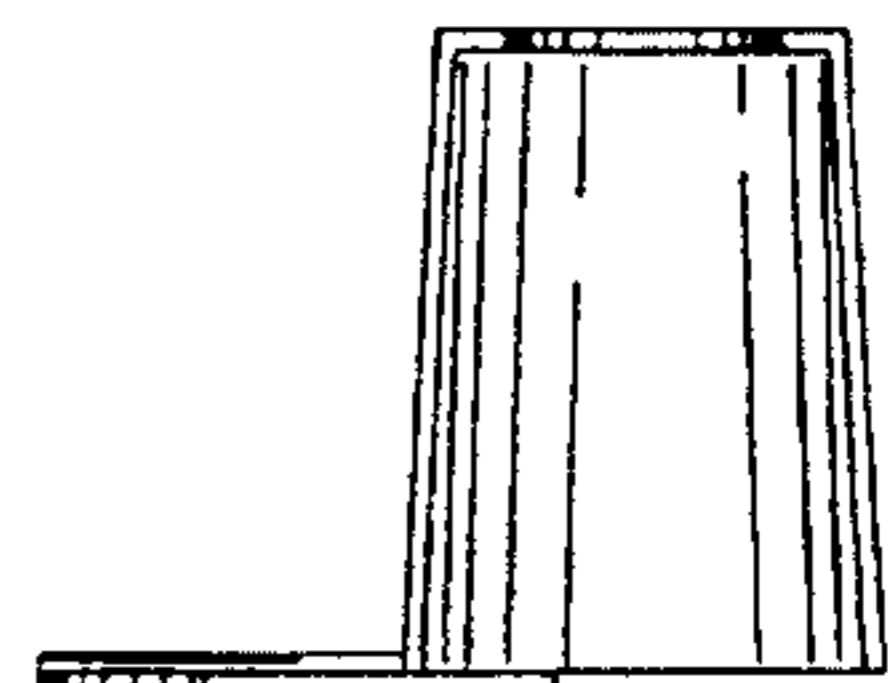


Fig. 6

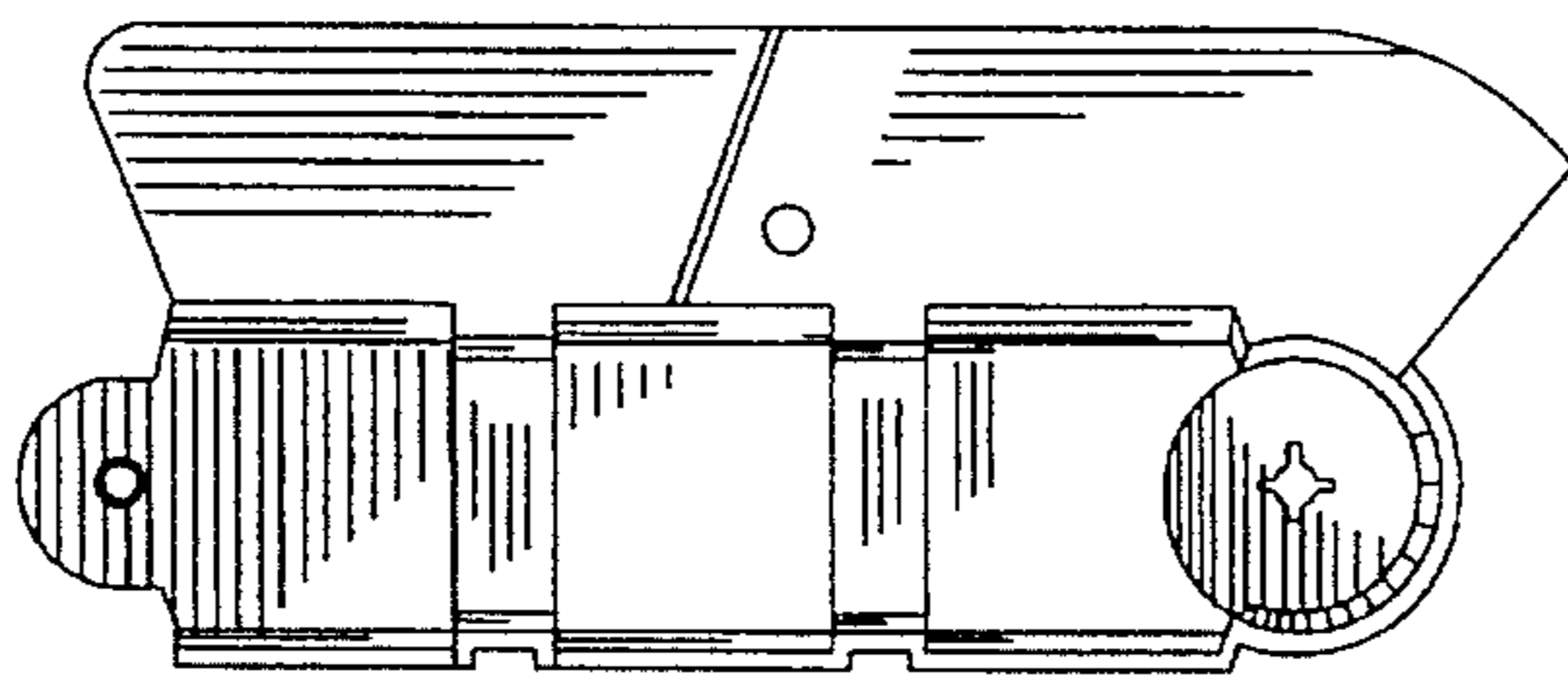


Fig. 7