



US00D370392S

# United States Patent [19] Flanagan

[11] Patent Number: **Des. 370,392**  
[45] Date of Patent: **\*\*Jun. 4, 1996**

[54] **LARGE BEVERAGE CONTAINER HOLDER**

[76] Inventor: **Michael J. Flanagan**, 4550 W. Palo Alto, No. 201, Fresno, Calif. 93722

[\*\*] Term: **14 Years**

[21] Appl. No.: **36,638**

[22] Filed: **Mar. 23, 1995**

[52] U.S. Cl. .... **D7/619**

[58] Field of Search ..... D7/619-625, 605-608; D6/531, 535; 211/71, 74, 75; 220/737-739; 248/310, 311.2, 346.1

[56] **References Cited**

**U.S. PATENT DOCUMENTS**

4,596,370	6/1986	Adkins .	
4,854,468	8/1989	Dahlquist, II et al. ....	211/75 X
4,892,281	1/1990	DiFilippo .	
5,088,673	2/1992	Chandler .....	248/311.2
5,135,195	8/1992	Dane .	
5,165,646	11/1992	Gewecke .	
5,259,579	11/1993	Schneider .	

5,259,580	11/1993	Anderson .	
5,285,953	2/1994	Smith .....	220/738 X
5,318,266	6/1994	Liu .	
5,328,143	7/1994	Koorey .	
5,330,145	7/1994	Evans .	
5,356,107	10/1994	Sinohuiz .	

*Primary Examiner*—Terry A. Wallace  
*Attorney, Agent, or Firm*—Mark D. Miller

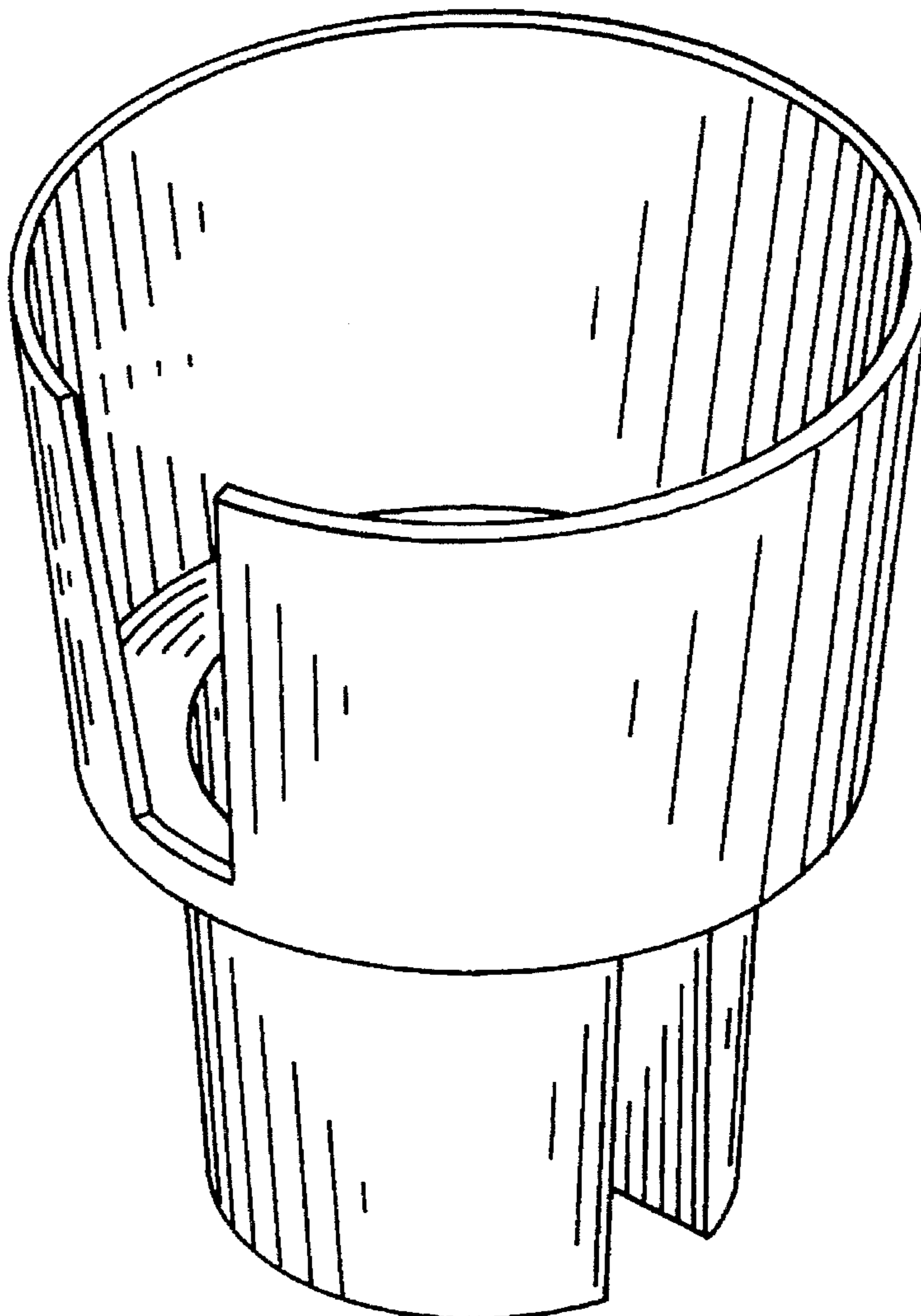
[57] **CLAIM**

The ornamental design for the large beverage container holder, as shown.

**DESCRIPTION**

FIG. 1 is a front perspective view of a large beverage container holder showing my new design; FIG. 2 is a right side elevational view thereof; FIG. 3 is a front elevational view thereof; FIG. 4 is a rear elevational view thereof; FIG. 5 is a left side elevational view thereof; FIG. 6 is a top plan view thereof; and, FIG. 7 is a bottom plan view thereof.

**1 Claim, 1 Drawing Sheet**



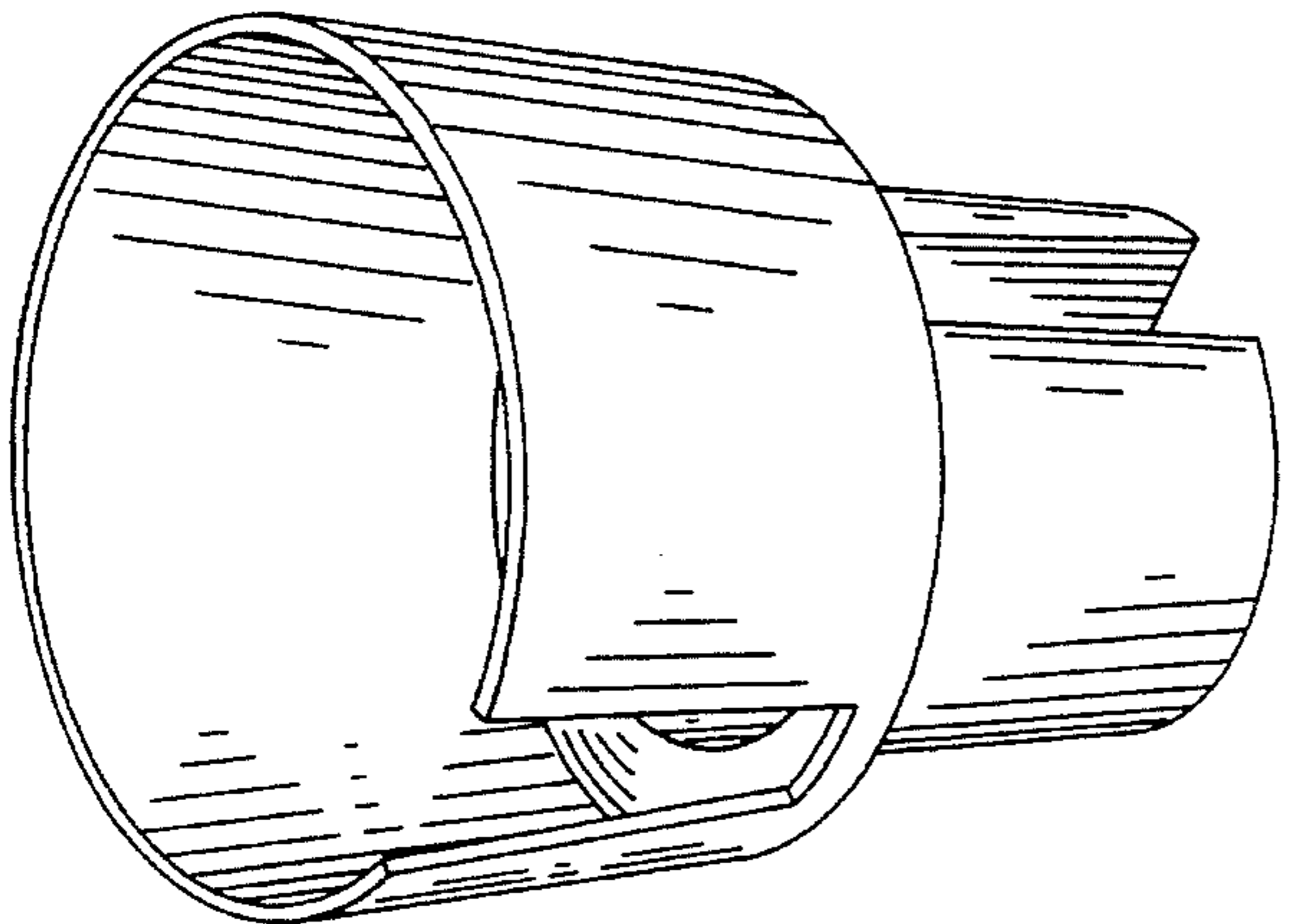


FIG. 1

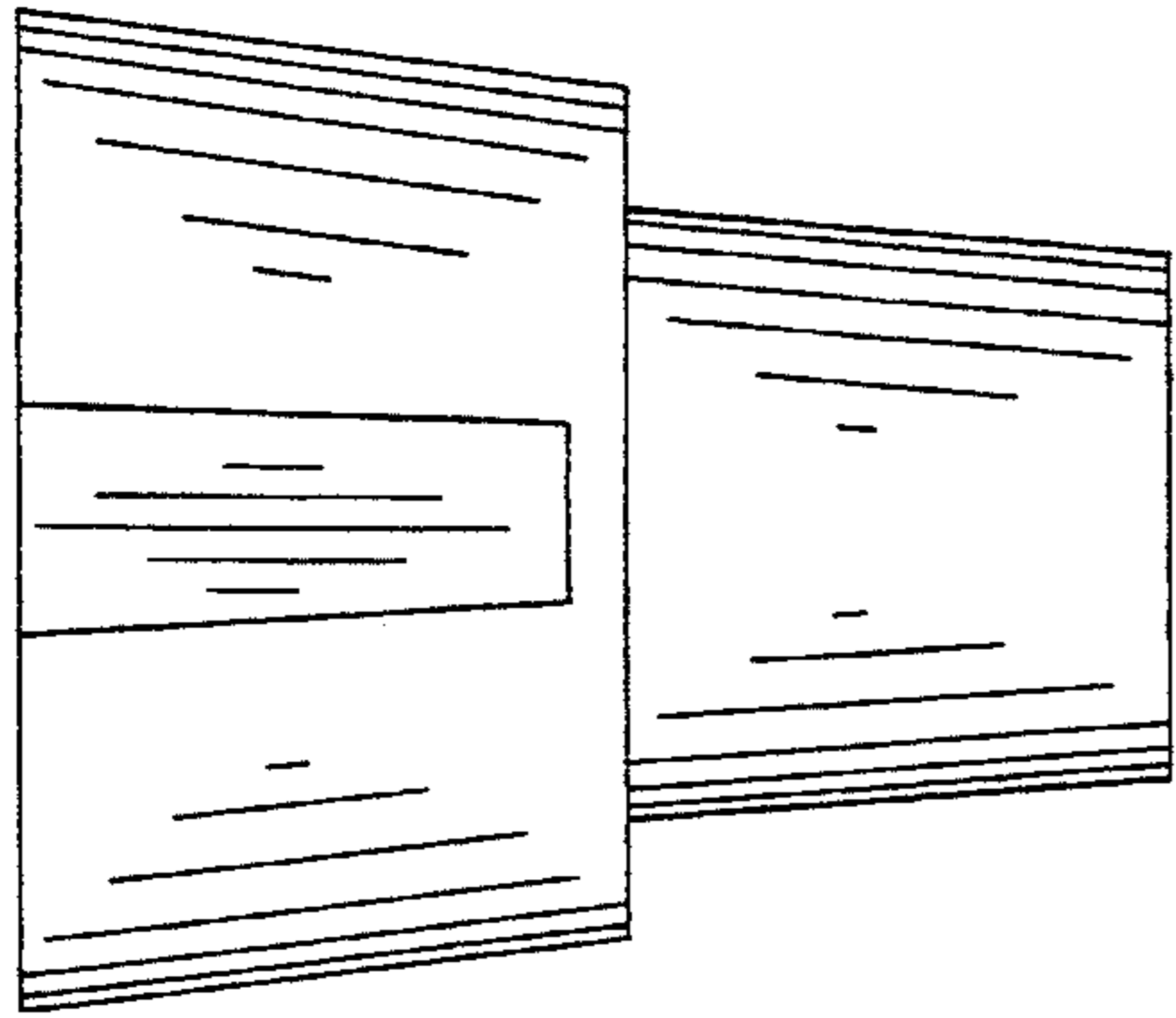


FIG. 2

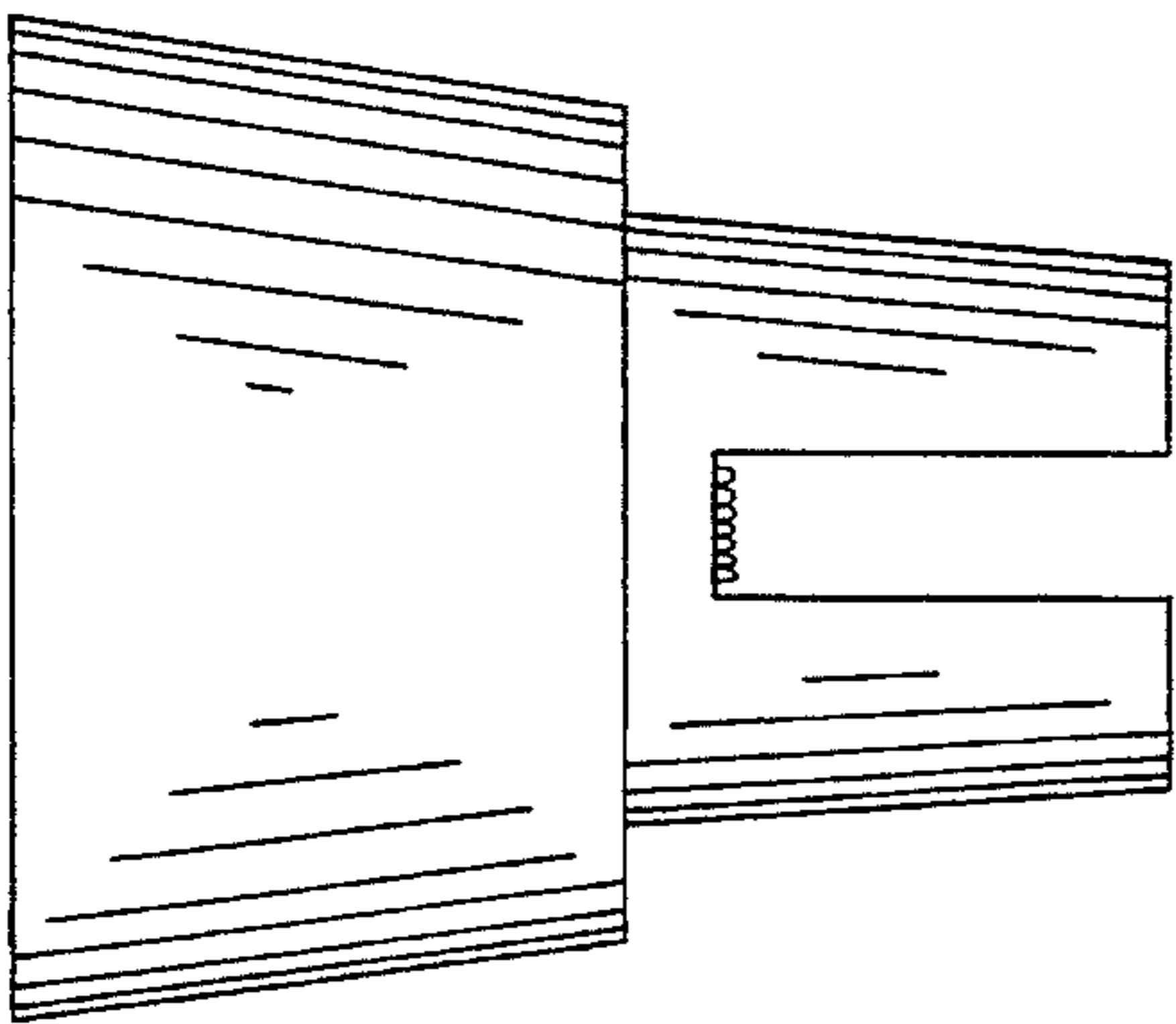


FIG. 3

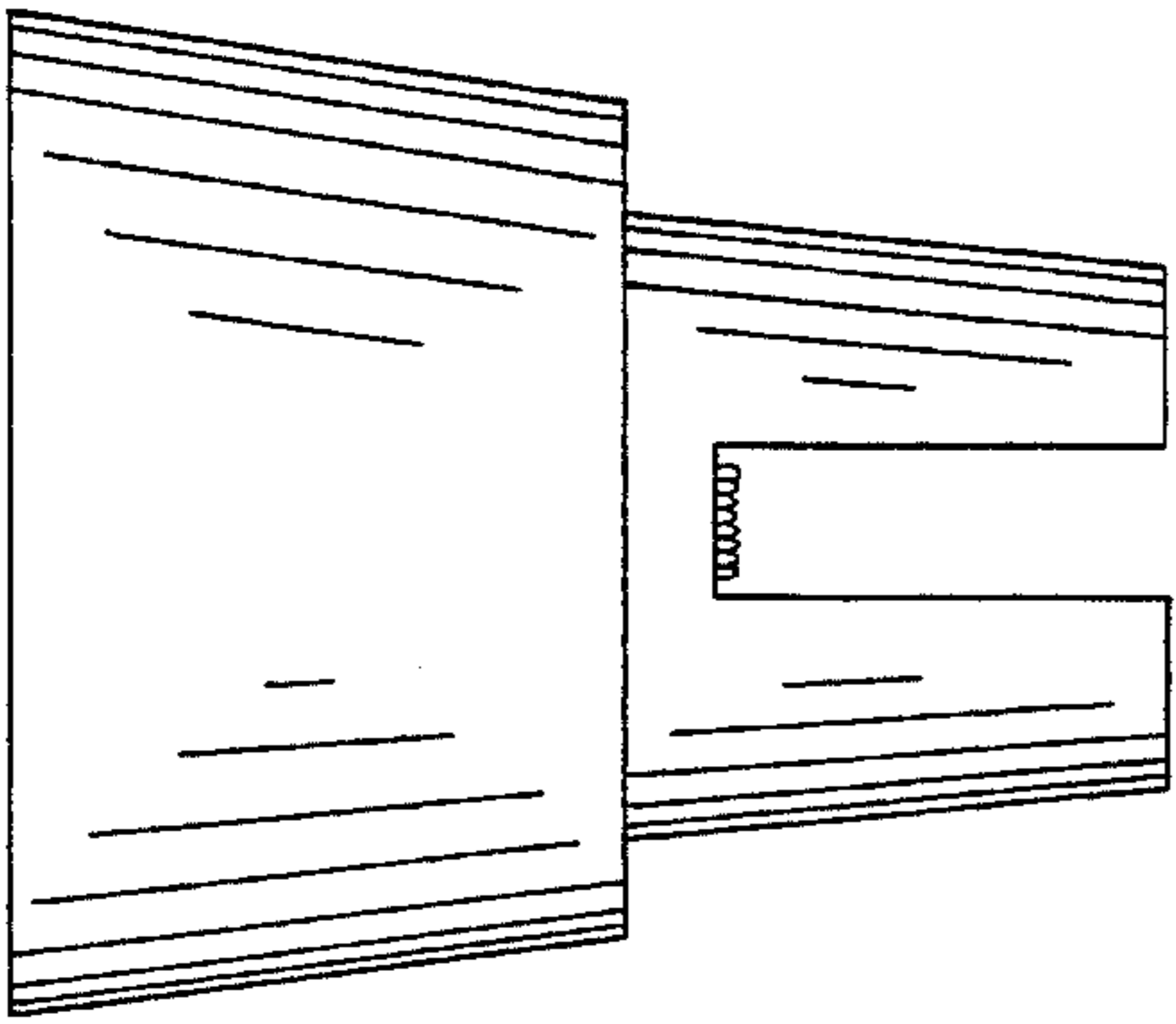


FIG. 4

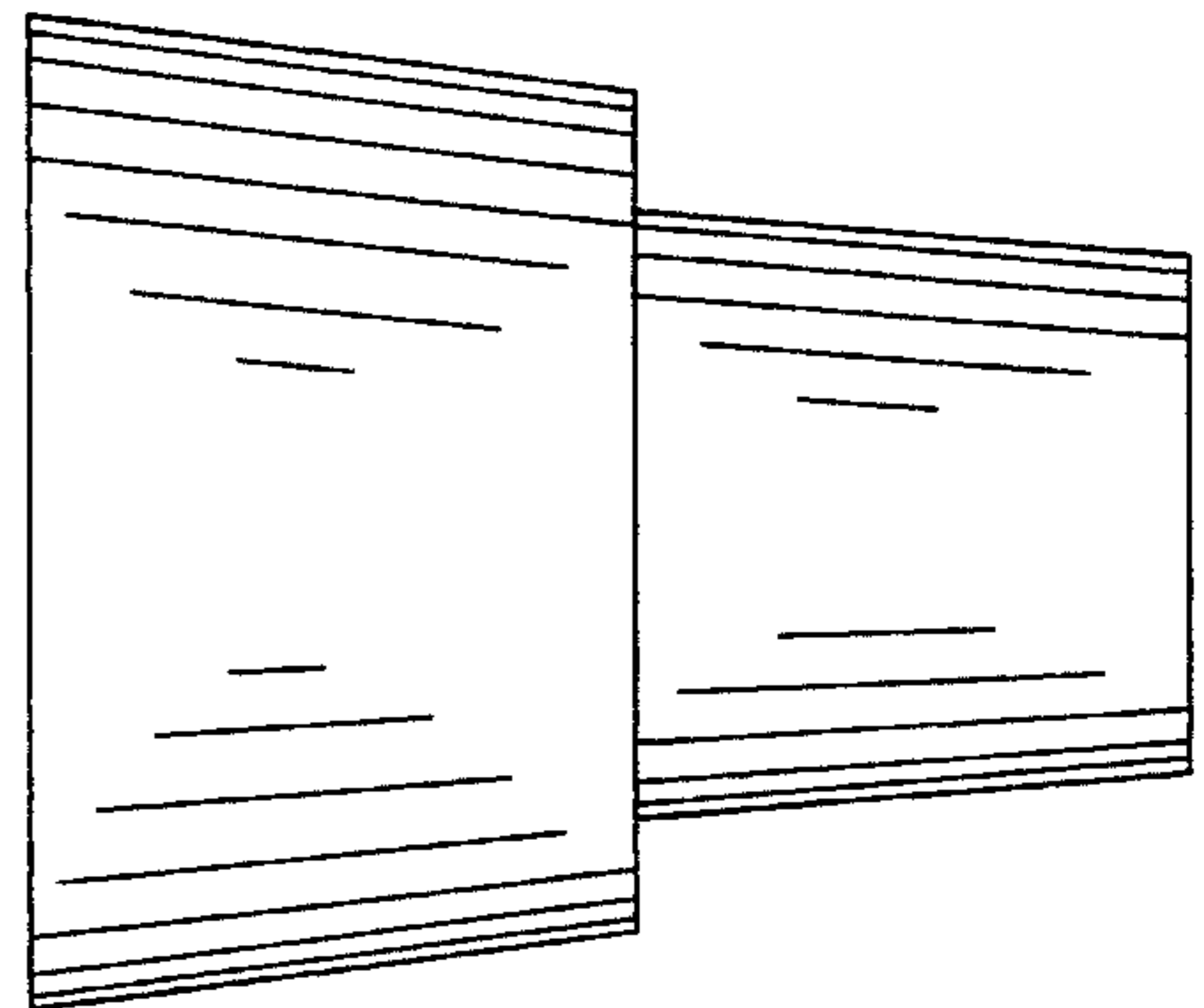


FIG. 5

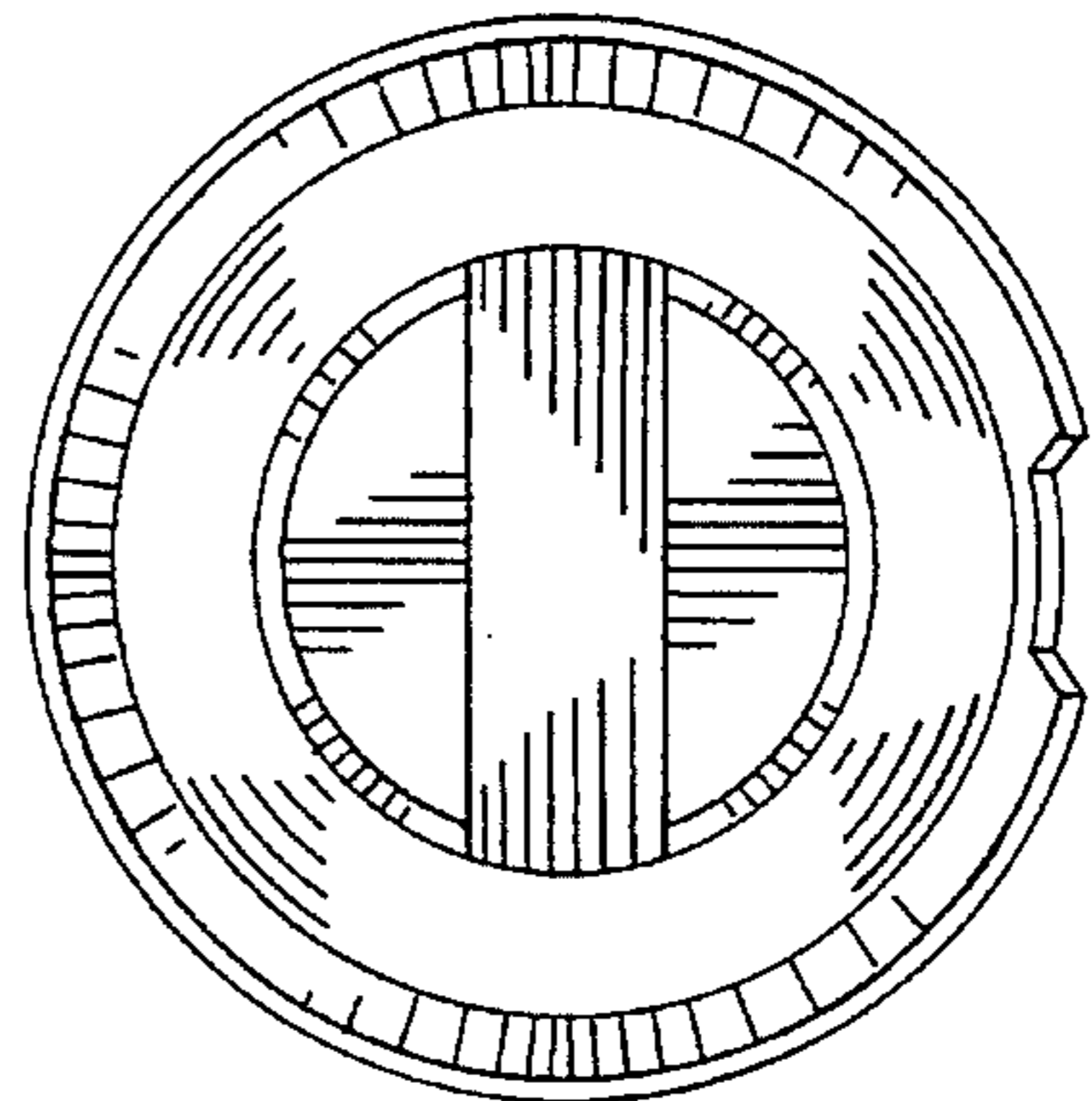


FIG. 6

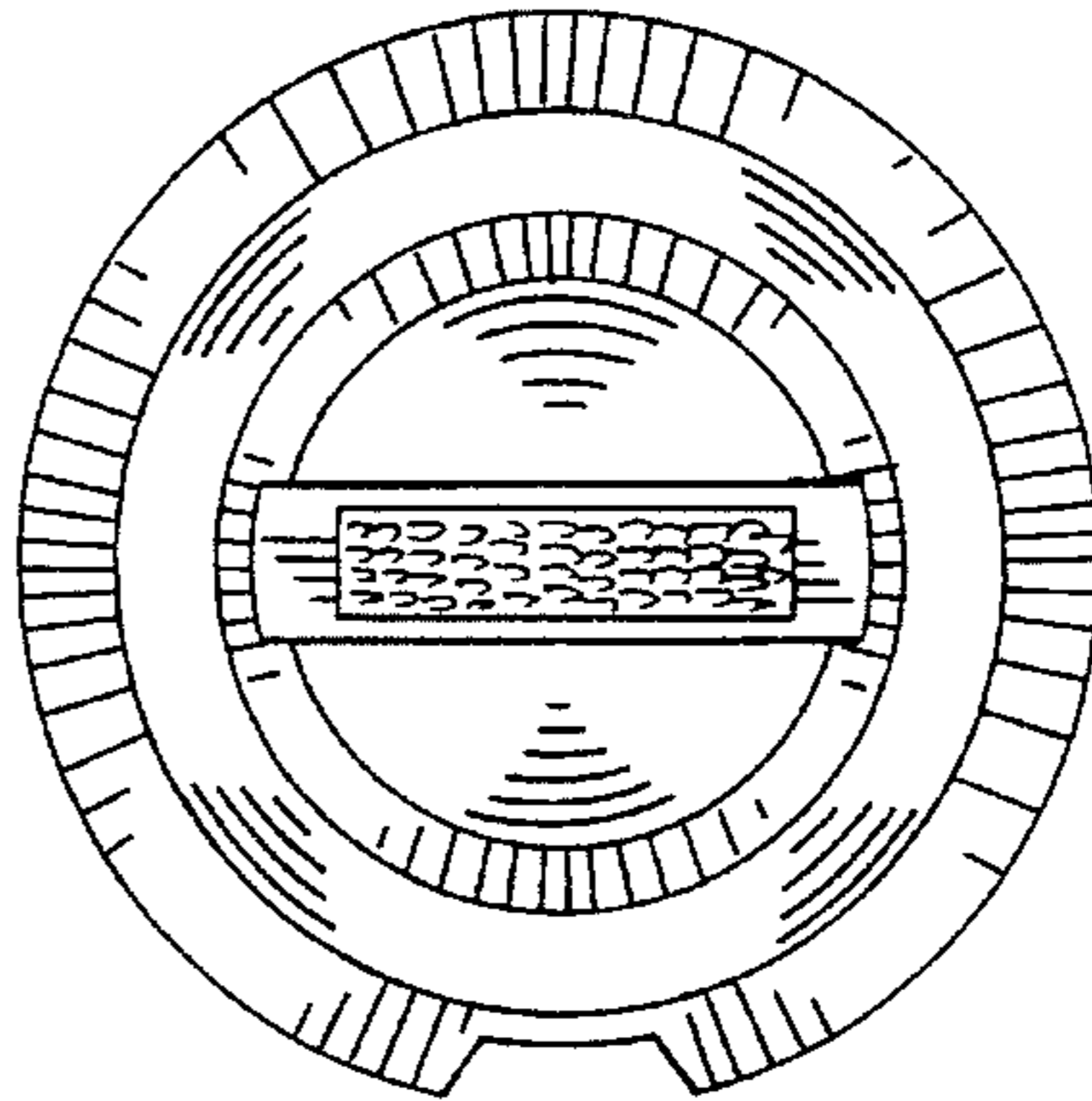


FIG. 7