



US00D370391S

United States Patent [19]

[11] Patent Number: **Des. 370,391**

Bauer et al.

[45] Date of Patent: ****Jun. 4, 1996**

[54] **FOOTBALL COOLER**

[76] Inventors: **Andre Bauer**, 6356 St. Andrews Rd., Columbia, S.C. 29212; **Lanny R. Gunter, II**, P.O. Box 1170, Irmo, S.C. 29036; **Russell R. Miller**, 1505 Beaver Dam Rd., Columbia, S.C. 29212

[**] Term: **14 Years**

[21] Appl. No.: **36,791**

[22] Filed: **Mar. 27, 1995**

[52] U.S. Cl. **D7/606**

[58] Field of Search D3/273, 276, 307; D7/605-608; 62/371, 457.1, 457.6, 457.7; 206/541, 545, 549; 220/412

[56] **References Cited**

U.S. PATENT DOCUMENTS

D. 218,349	8/1970	Feeney	D7/604
D. 290,080	6/1987	Carlson	D7/605
D. 325,853	5/1992	Kahl	D7/605
D. 347,970	6/1994	Wright	D7/606
D. 349,008	7/1994	Minor	D7/606
D. 349,009	7/1994	Minor	D7/606
D. 349,629	8/1994	Redmon	D7/606

D. 349,630	8/1994	Redmon	D7/606
D. 349,631	8/1994	Redmon	D7/606
D. 354,639	1/1995	Stoddard et al.	D7/606
D. 354,641	1/1995	Stoddard et al.	D7/606
D. 354,642	1/1995	Stoddard et al.	D7/606
4,164,284	8/1979	Witt, Jr.	D7/606
4,339,062	7/1982	Witt, Jr.	215/12.2
4,566,292	1/1986	Parment	D7/606
5,329,787	7/1994	Friday	62/457.7 X

Primary Examiner—Terry A. Wallace
Attorney, Agent, or Firm—Michael A. Mann

[57] **CLAIM**

The ornamental design for a football cooler, as shown and described.

DESCRIPTION

FIG. 1 is a perspective view of a football cooler showing our new design;
FIG. 2 is a front elevation view thereof, the opposite side being a mirror image;
FIG. 3 is a left side elevation view thereof, the opposite side being a mirror image; and,
FIG. 4 is a top plan view thereof.
The bottom view is planar and unornamented.

1 Claim, 2 Drawing Sheets

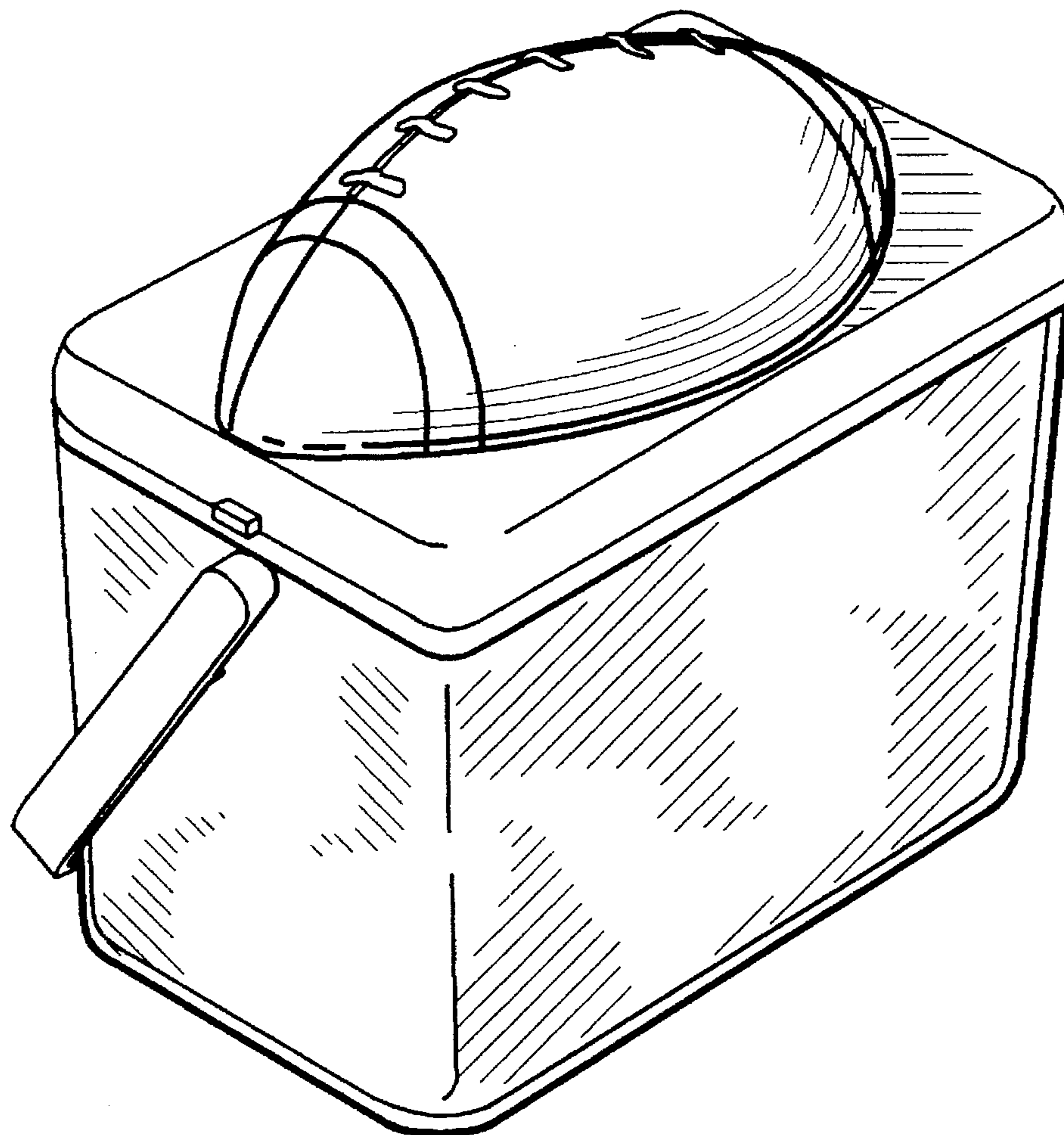


Fig 1-

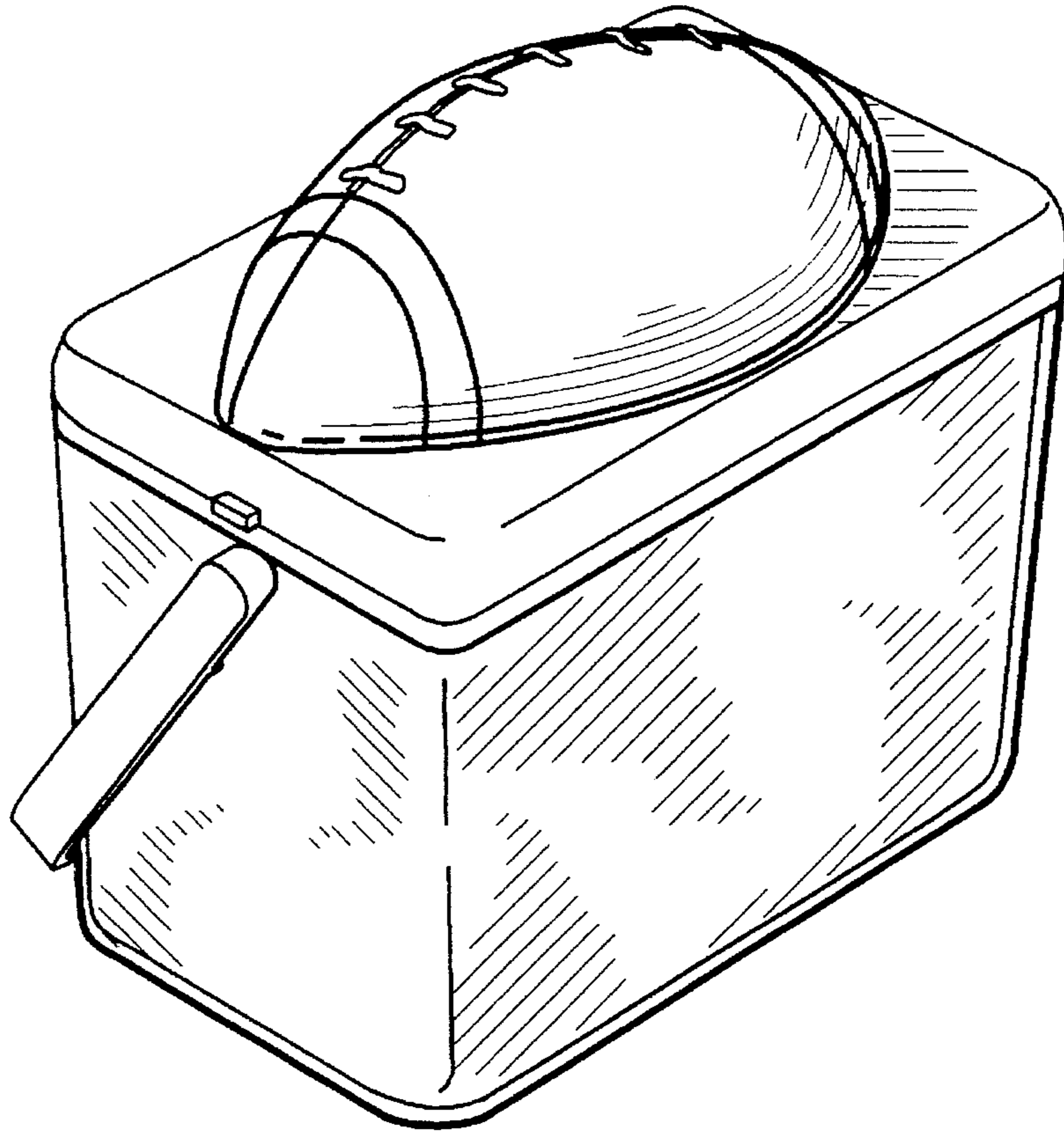


Fig 2-

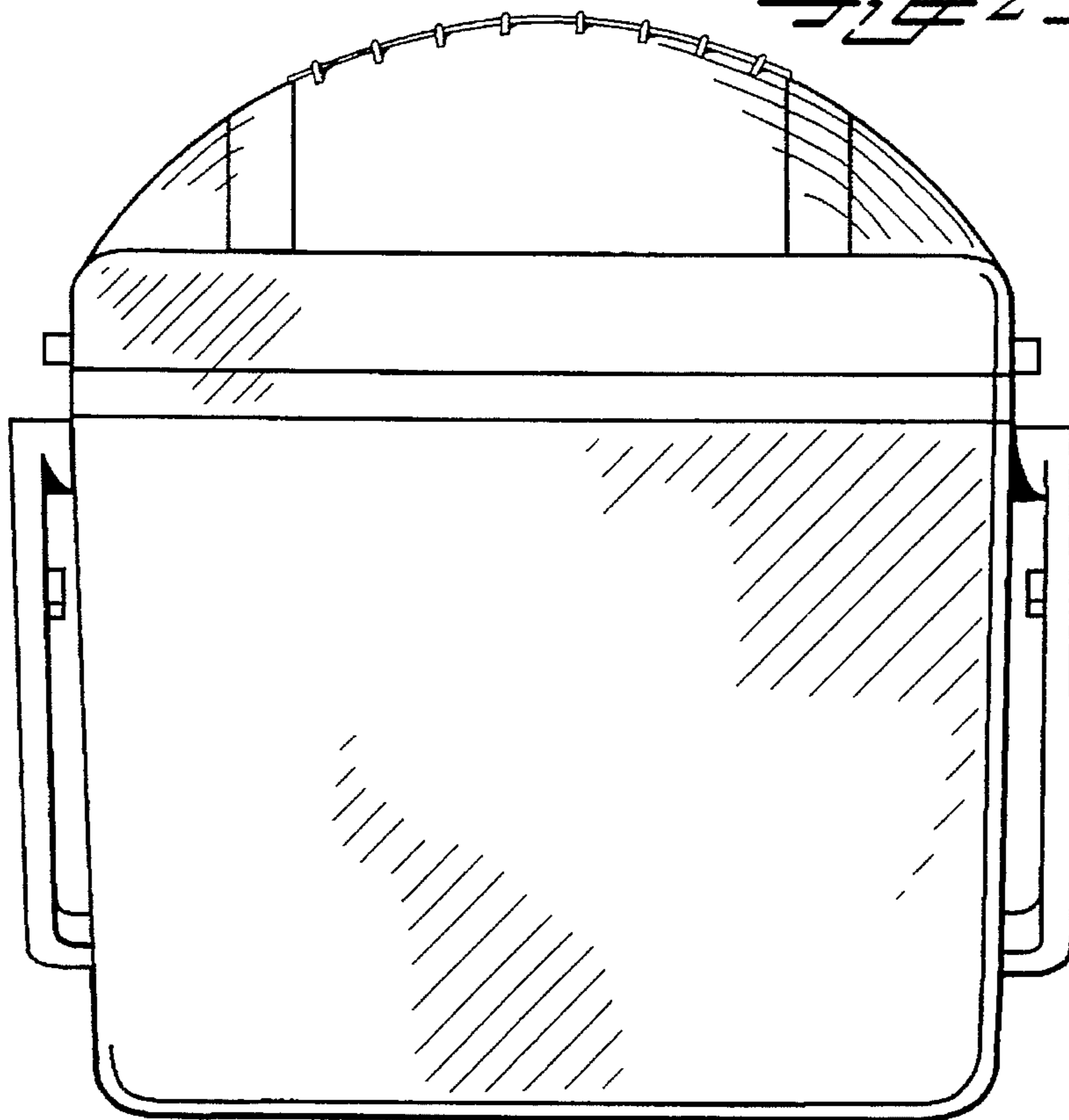


Fig 3

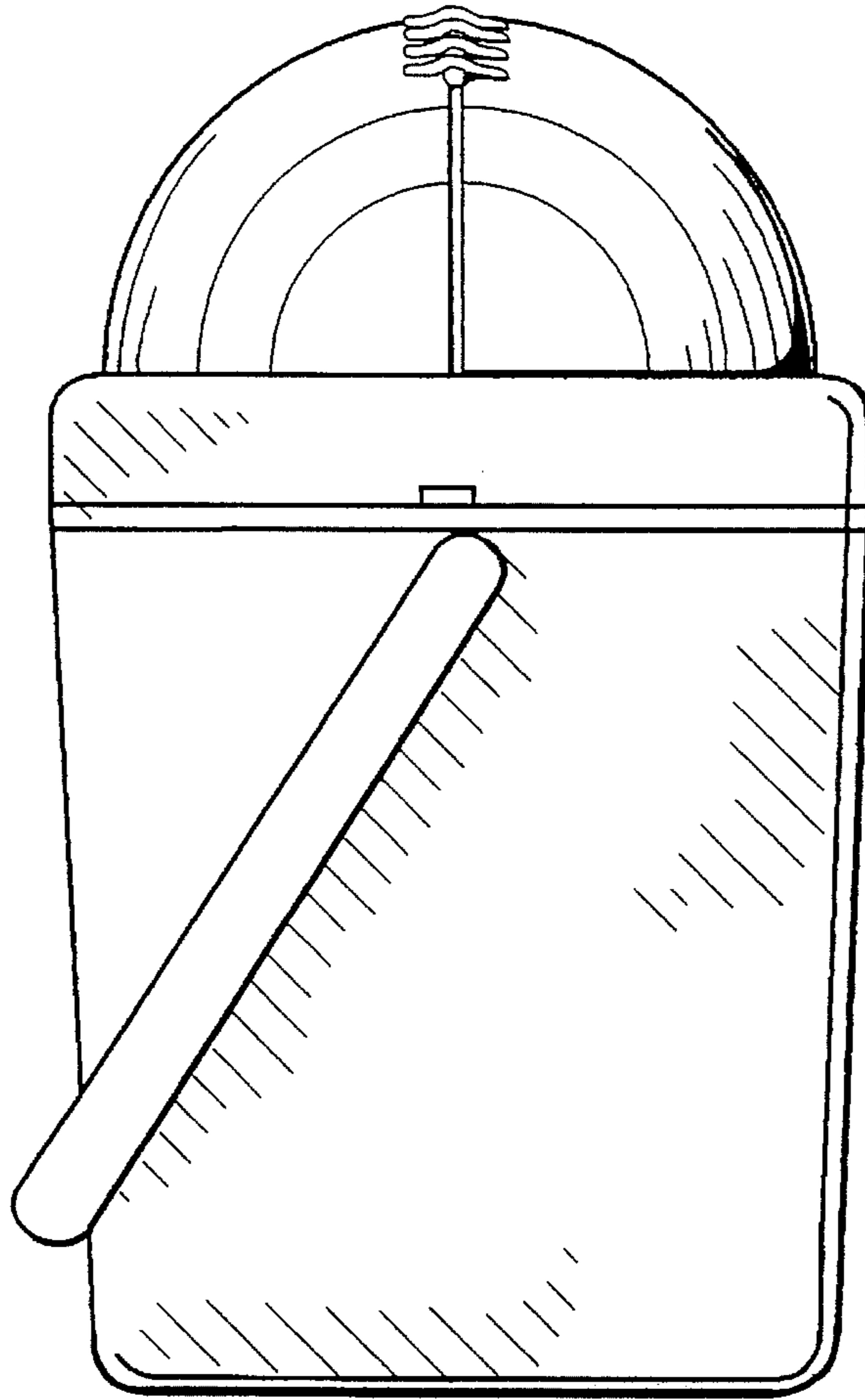


Fig 4

