



US00D370387S

# United States Patent [19]

Dorvall et al.

[11] Patent Number: **Des. 370,387**

[45] Date of Patent: **\*\*Jun. 4, 1996**

[54] COLLAPSIBLE CAMPFIRE GRILL

[76] Inventors: **Ronald W. Dorvall**, 93 Daly Rd.;  
**Duane G. Dorvall**, Box 109, 275  
Piedmont Rd., both of Whitehall, Mont.  
59759; **Rickey A. Dorvall**, 2210 South  
Dr., Butte, Mont. 59701

[\*\*] Term: **14 Years**

[21] Appl. No.: **28,720**

[22] Filed: **Sep. 20, 1994**

[52] U.S. Cl. .... **D7/409**

[58] Field of Search ..... D7/409; 99/339,  
99/421 H, 445, 449, 450; 126/25 R, 29,  
30, 339

[56] **References Cited**

**U.S. PATENT DOCUMENTS**

1,054,188 2/1913 Ehmann ..... 126/30  
1,096,002 5/1914 Stopple ..... 126/29  
1,248,150 11/1917 Moody ..... D7/409 X

2,469,698 5/1949 Morgan ..... 99/449 X  
2,631,579 3/1953 Metzger ..... 126/29  
3,821,926 7/1974 Clark ..... 126/30 X  
4,393,857 7/1983 Sanford ..... 99/449 X

*Primary Examiner*—Alan P. Douglas  
*Assistant Examiner*—Caron D. Veynar  
*Attorney, Agent, or Firm*—Richard C. Conover

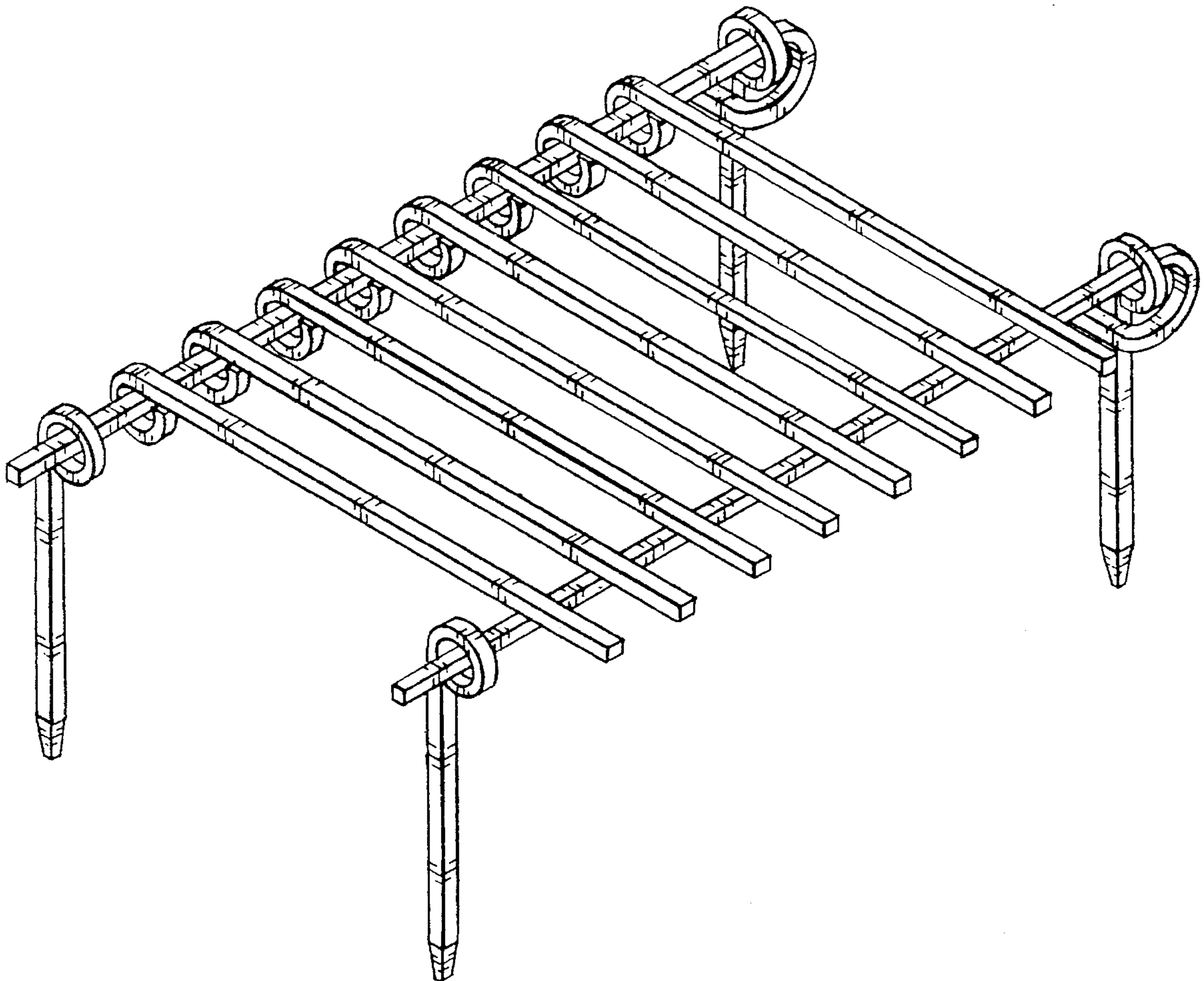
[57] **CLAIM**

The ornamental design for a collapsible campfire grill, as shown.

**DESCRIPTION**

FIG. 1 is a perspective view of collapsible campfire grill according to the present design;  
FIG. 2 is a top plan view thereof;  
FIG. 3 is a bottom plan view thereof;  
FIG. 4 is a front elevation view thereof;  
FIG. 5 is a rear elevation view thereof;  
FIG. 6 is a left side elevation view thereof; and,  
FIG. 7 is a right side elevation view thereof.

**1 Claim, 3 Drawing Sheets**



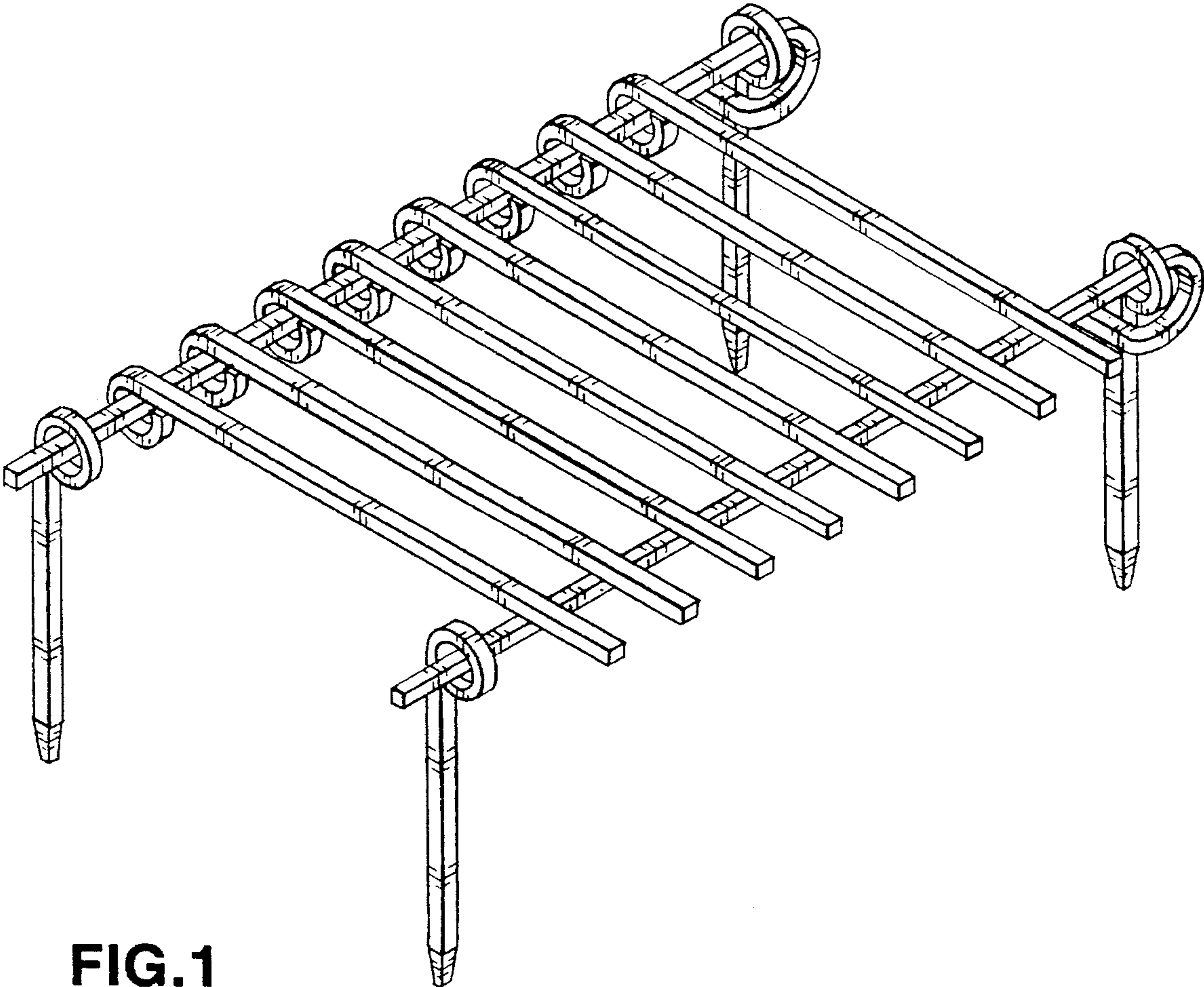


FIG. 1

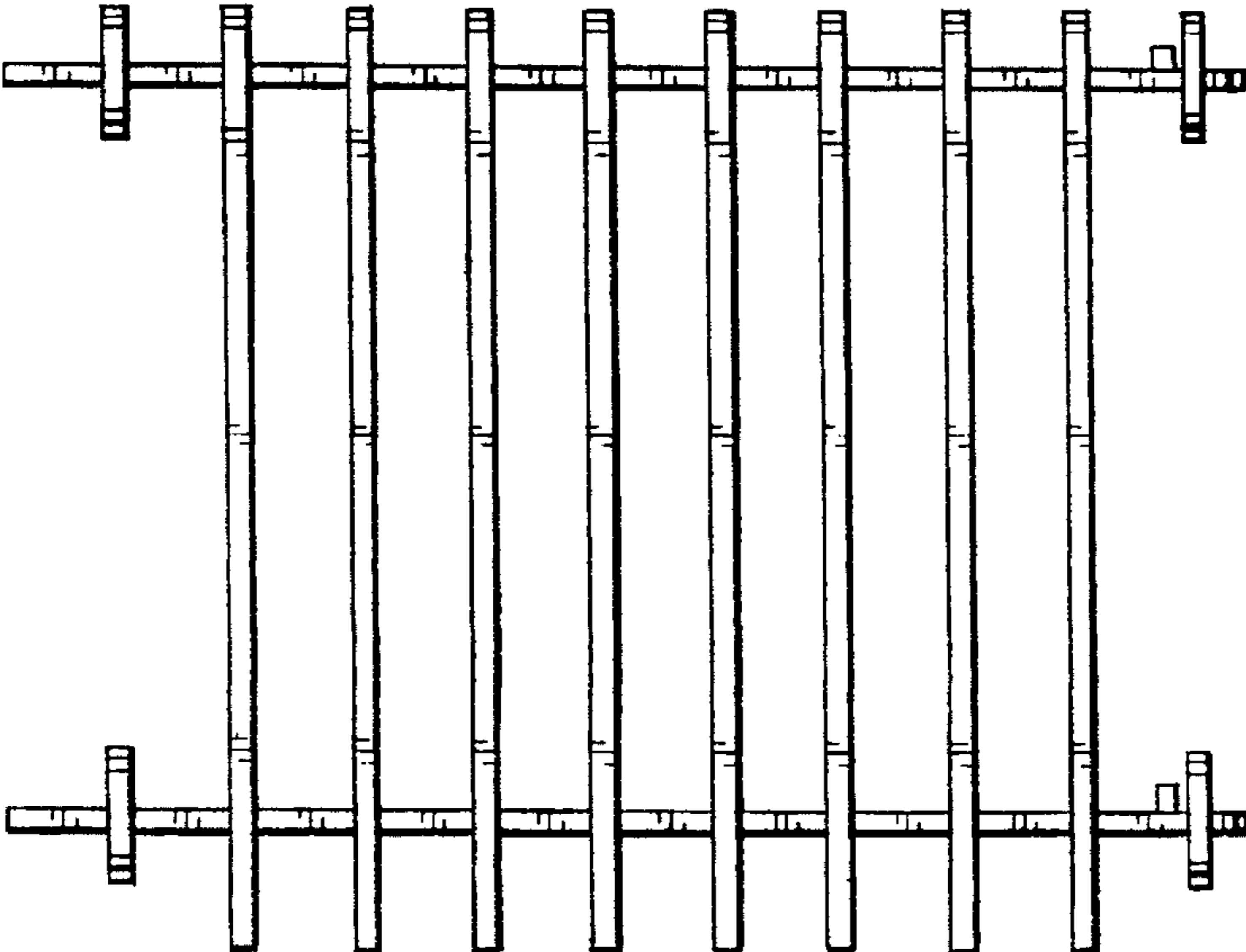


FIG. 2

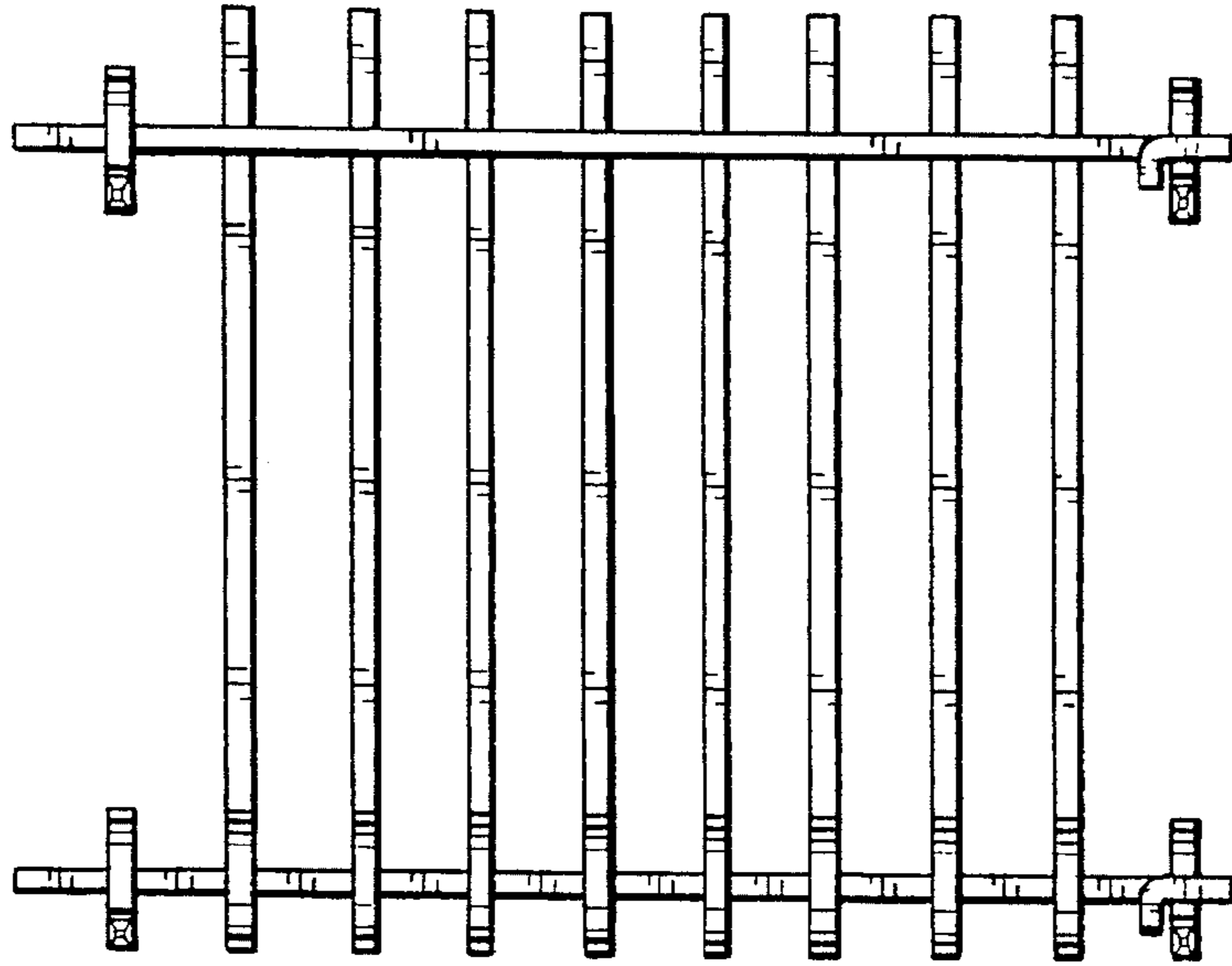


FIG. 3

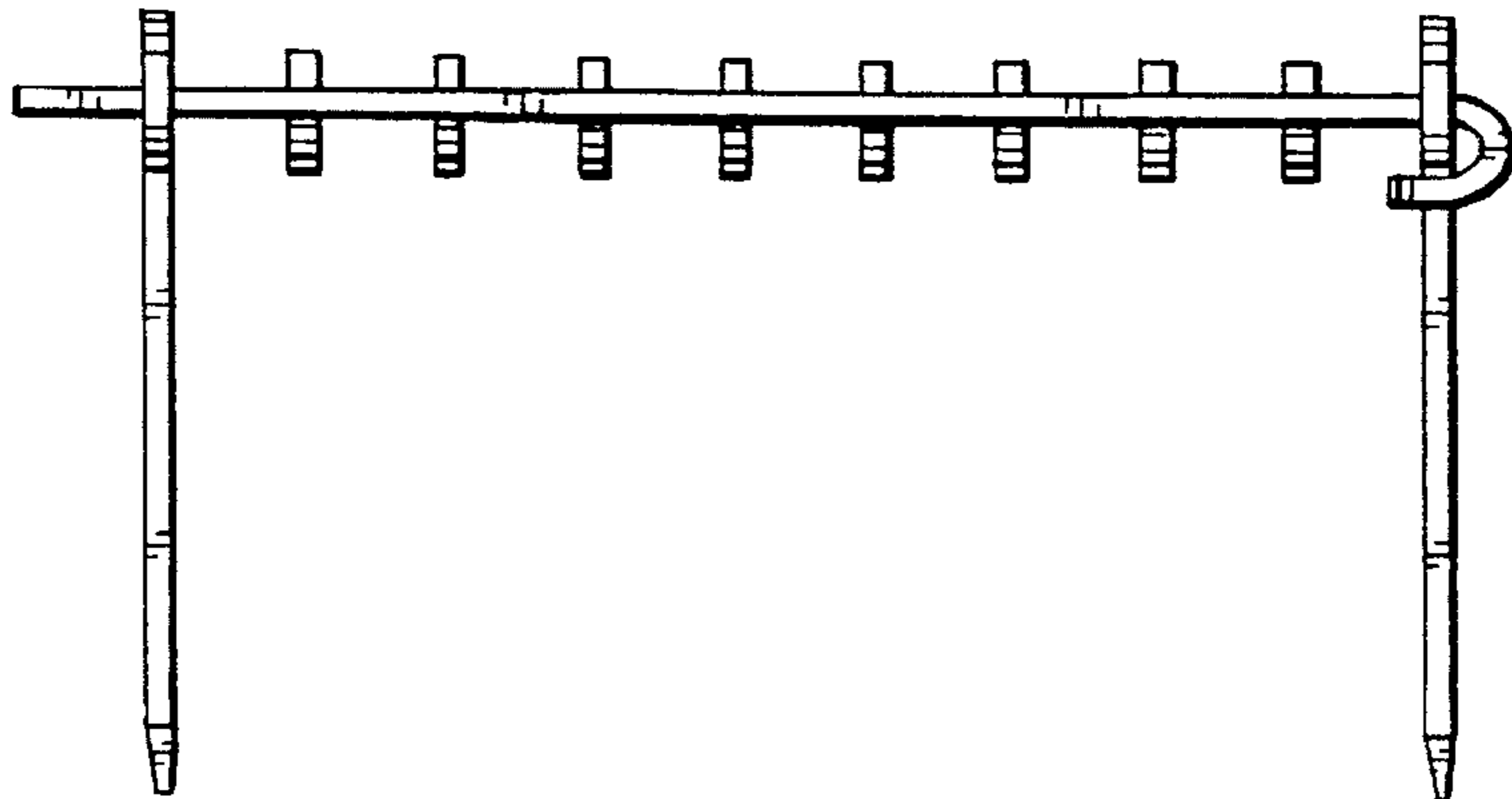


FIG. 4

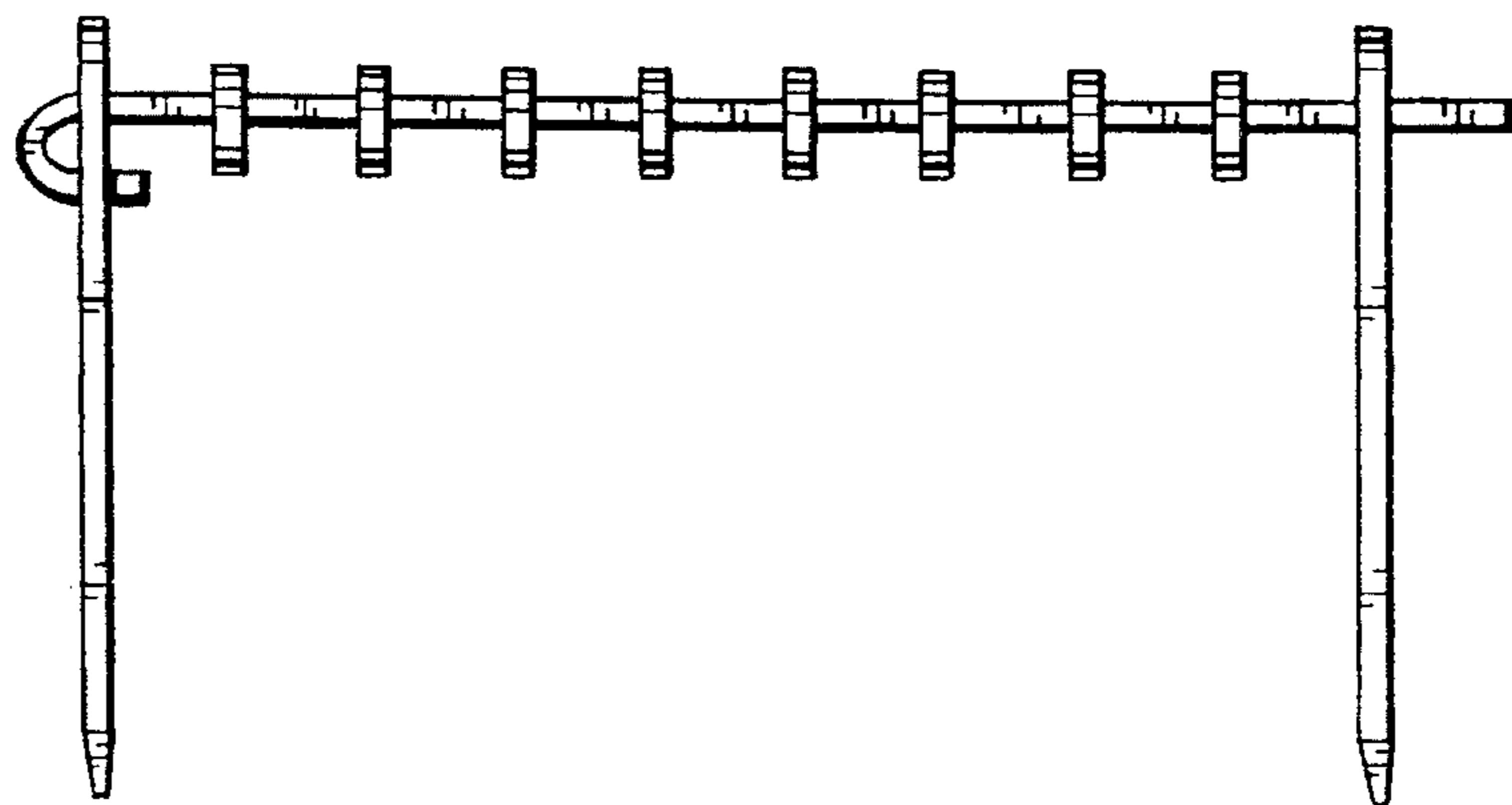
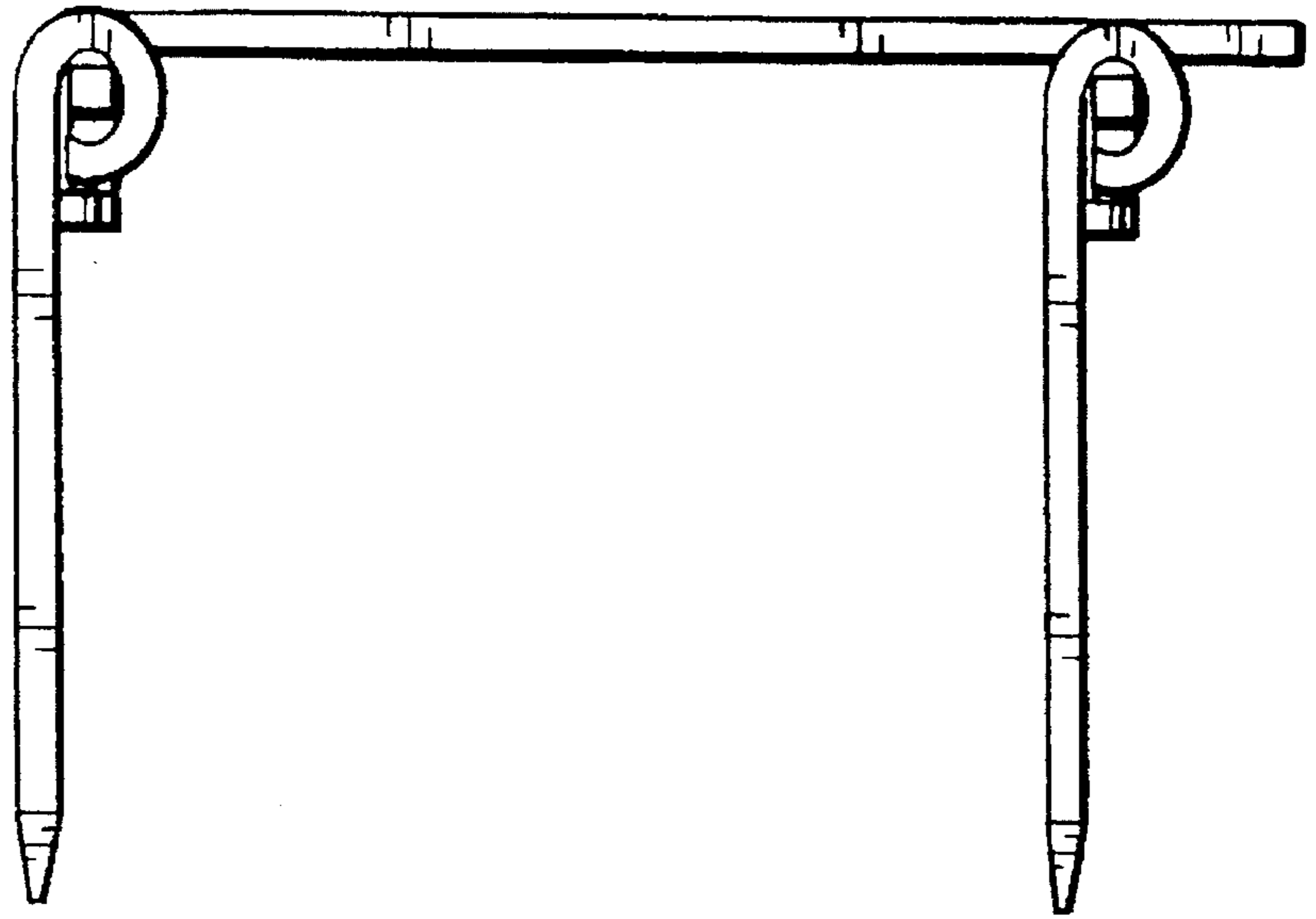
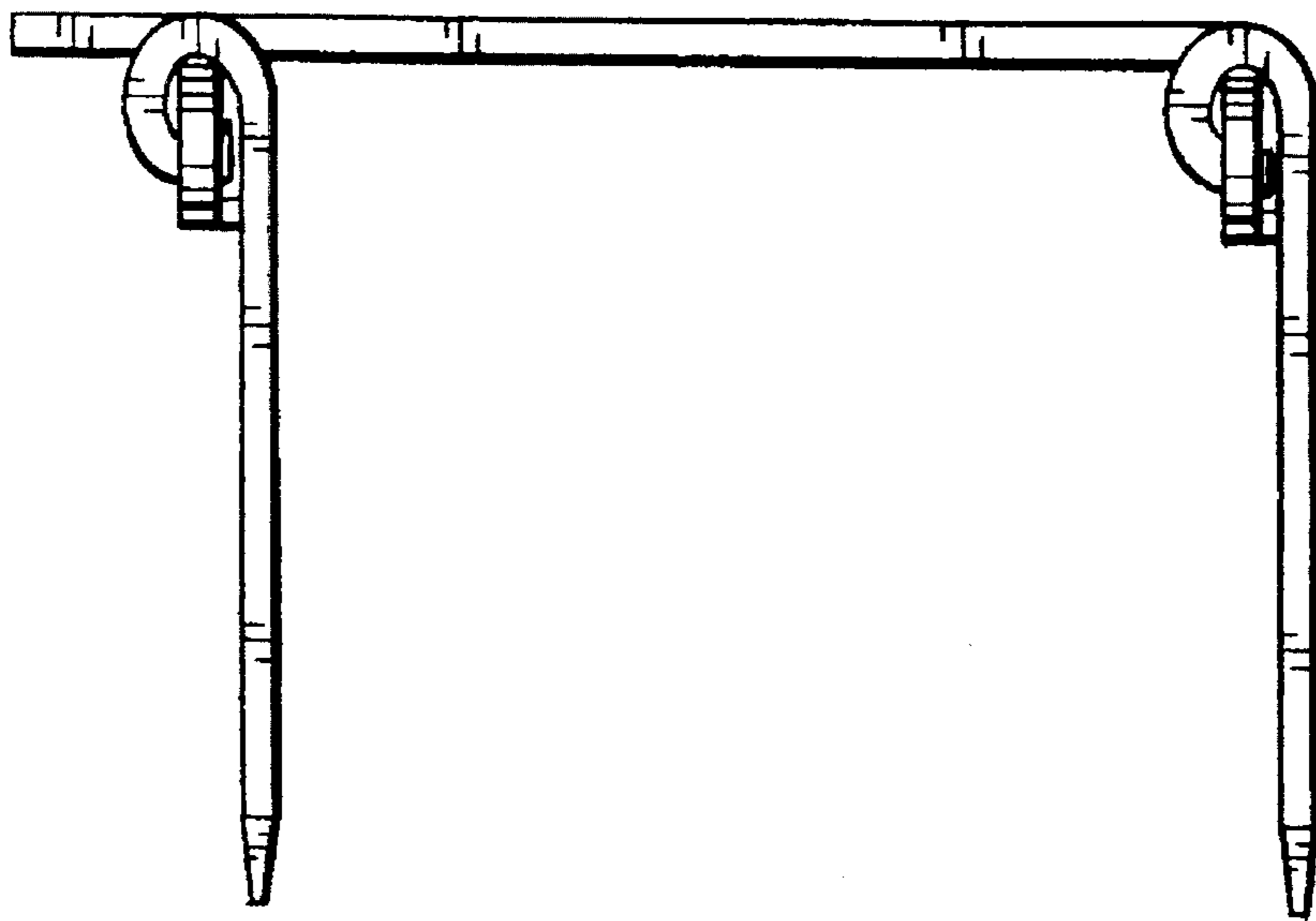


FIG. 5



**FIG. 6**



**FIG. 7**