



US00D370384S

United States Patent [19]

[11] Patent Number: **Des. 370,384**

Shamis

[45] Date of Patent: ****Jun. 4, 1996**

[54] CUP HANDLE

[76] Inventor: **Neal B. Shamis**, 3618 Palm Canyon Dr., Northbrook, Ill. 60062

[**] Term: **14 Years**

3,458,164	7/1969	Massey	215/100 A X
3,765,559	10/1973	Sauey et al.	D7/523 X
3,963,206	6/1976	Scolaro et al.	215/100 A X
4,552,276	11/1985	Buch	215/100 A
5,174,965	12/1992	Jones et al.	215/100 A X
5,344,040	9/1994	Schaeppi	220/771 X

[21] Appl. No.: **17,535**

[22] Filed: **Jan. 14, 1994**

[52] U.S. Cl. **D7/393; D7/396.2; D7/533; D7/622**

[58] Field of Search D7/516, 515, 510, D7/511, 507, 533, 536, 514, 520, 518, 523, 393, 622, 629, 396.2; 215/100 R, 100 A, 11.6, 99.5; 220/771, 711, 758, 759, 574, 575, 738, 708, 709, 716, 718

[56] **References Cited**

U.S. PATENT DOCUMENTS

D. 219,472	12/1970	Piker	D7/533
D. 231,068	4/1974	Douglas	D7/533
D. 233,317	10/1974	Catelli	D7/622
D. 241,906	10/1976	Dart	D7/393 X
D. 269,147	5/1983	Trombly	D7/536
D. 325,687	4/1992	Embree	D7/533 X
D. 325,848	5/1992	Embree	D7/533 X
D. 345,676	4/1994	Biffle	D7/510 X
3,101,857	8/1963	Freedman	220/718 X
3,105,714	10/1963	Kimber, Jr.	215/100 A
3,341,062	9/1967	Phillips	220/711

FOREIGN PATENT DOCUMENTS

46603	3/1966	Australia	220/718
958822	5/1964	United Kingdom	D7/622

Primary Examiner—Carmen H. Vales-Lado
Assistant Examiner—M. N. Pandozzi
Attorney, Agent, or Firm—Jerry A. Schulman

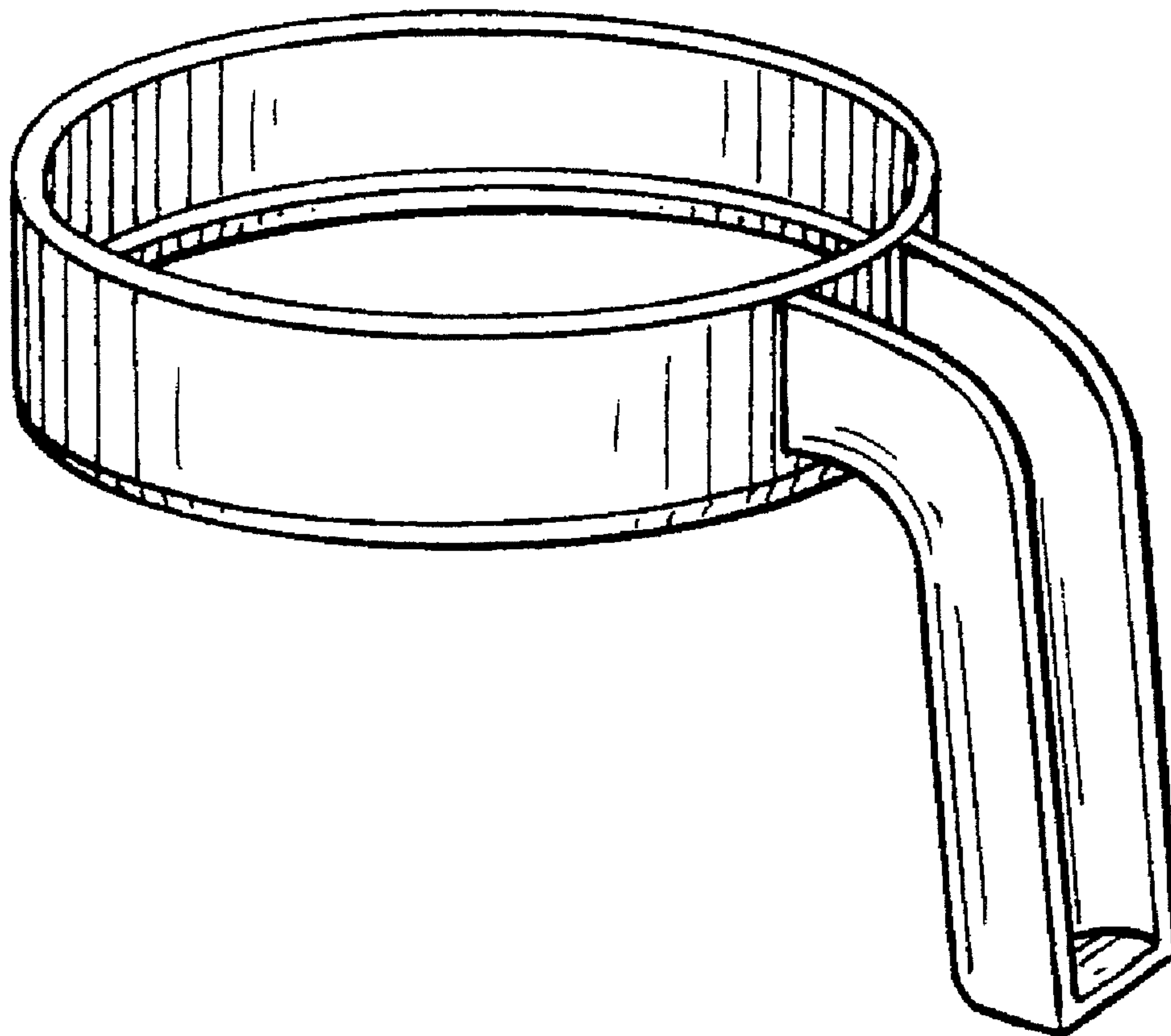
[57] CLAIM

The ornamental design for a cup handle, as shown and described.

DESCRIPTION

FIG. 1 is a front elevational view of a cup handle showing my new design;
FIG. 2 is a right side elevational view thereof;
FIG. 3 is a left side elevational view thereof;
FIG. 4 is a top plan view thereof;
FIG. 5 is a bottom plan view thereof;
FIG. 6 is a rear elevational view thereof; and,
FIG. 7 is a perspective view thereof.

1 Claim, 1 Drawing Sheet



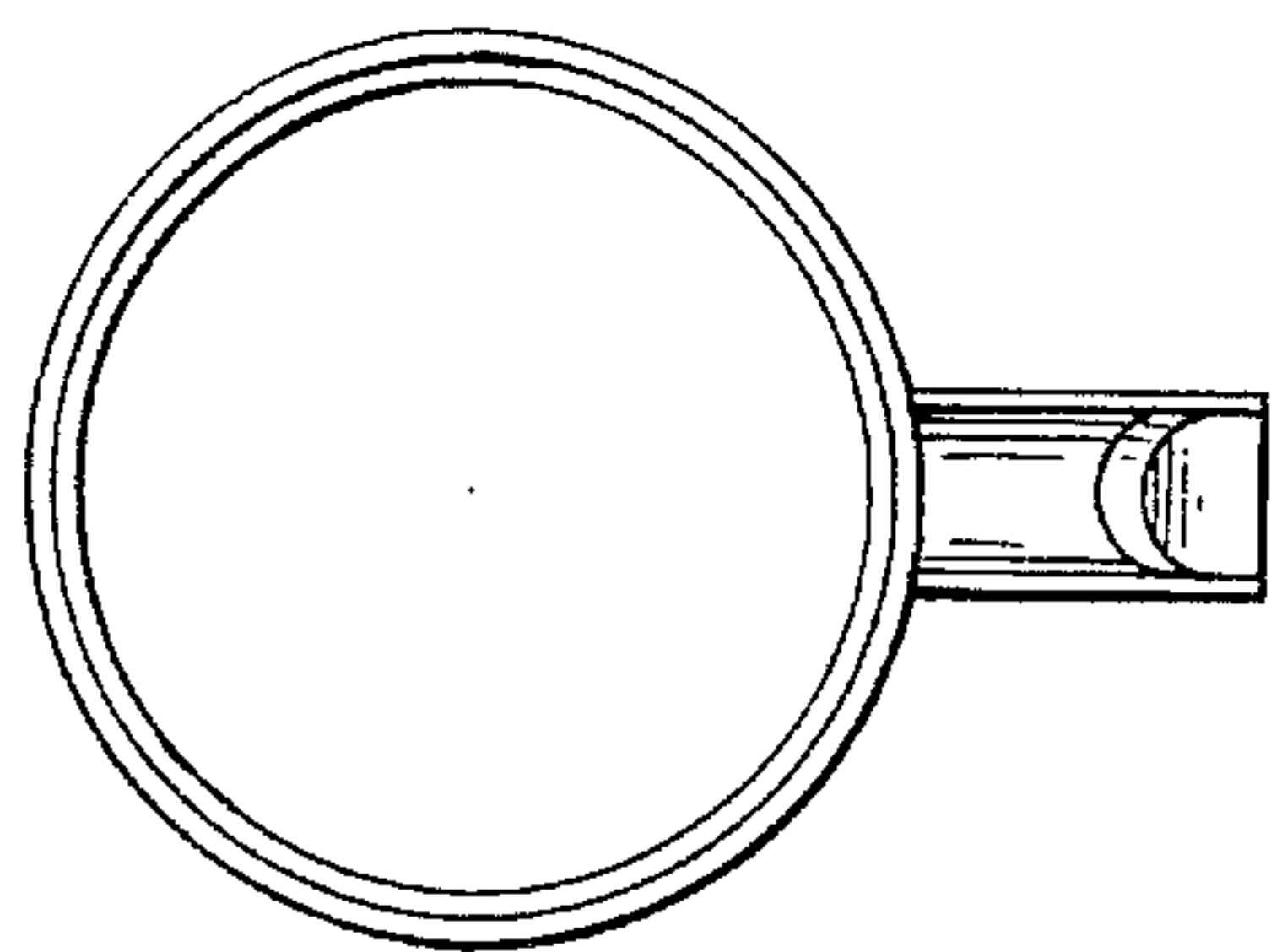


FIG. 4

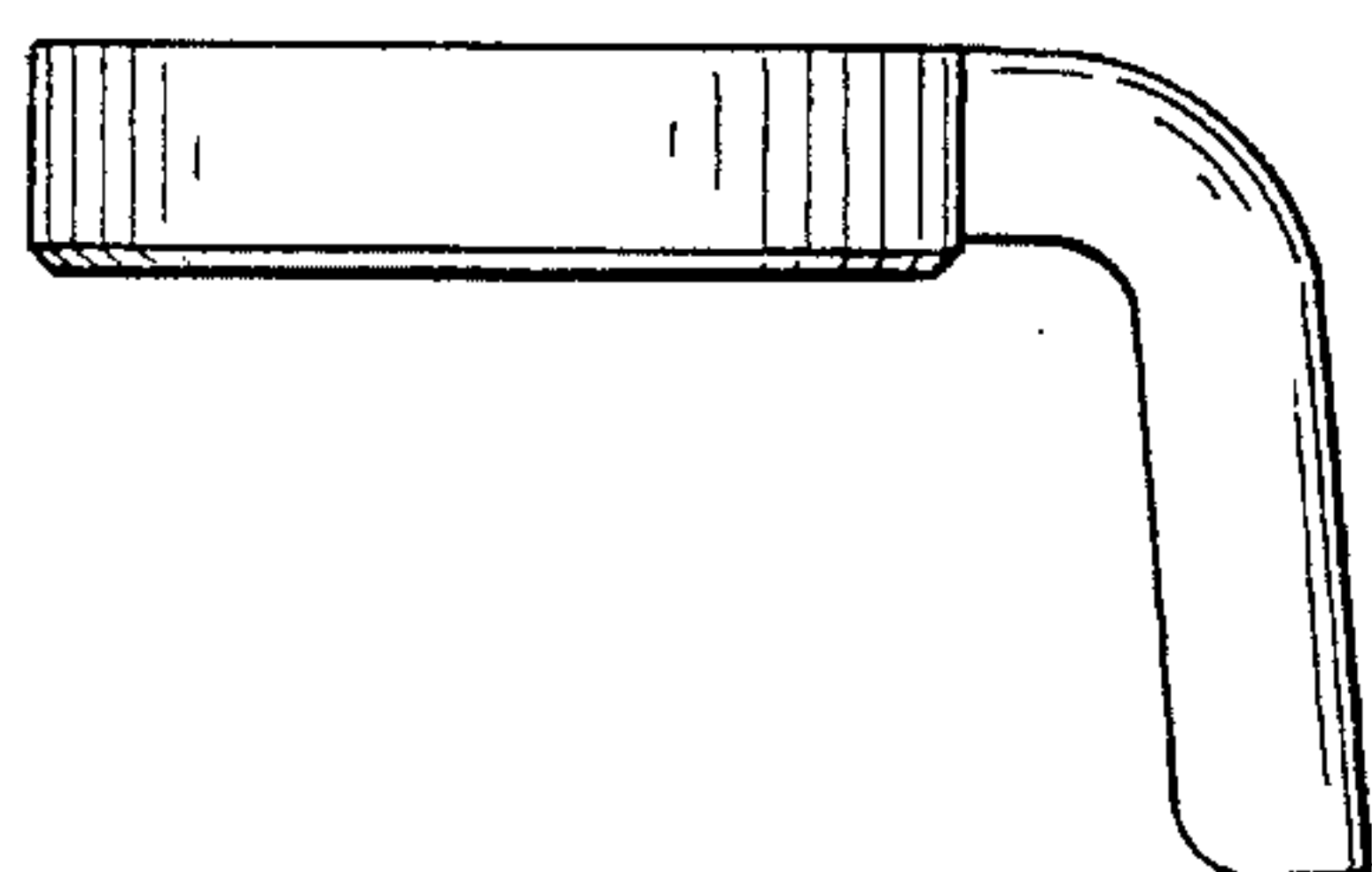


FIG. 3

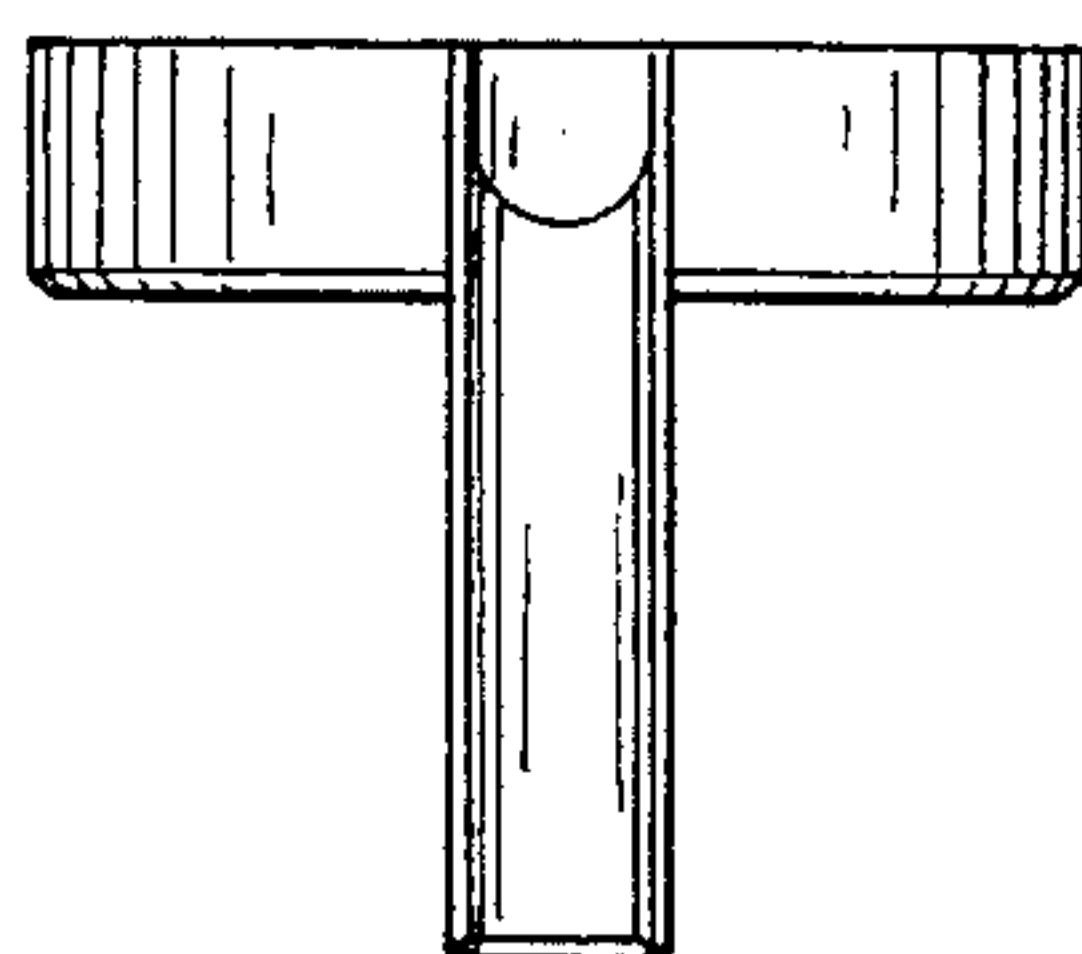


FIG. 1

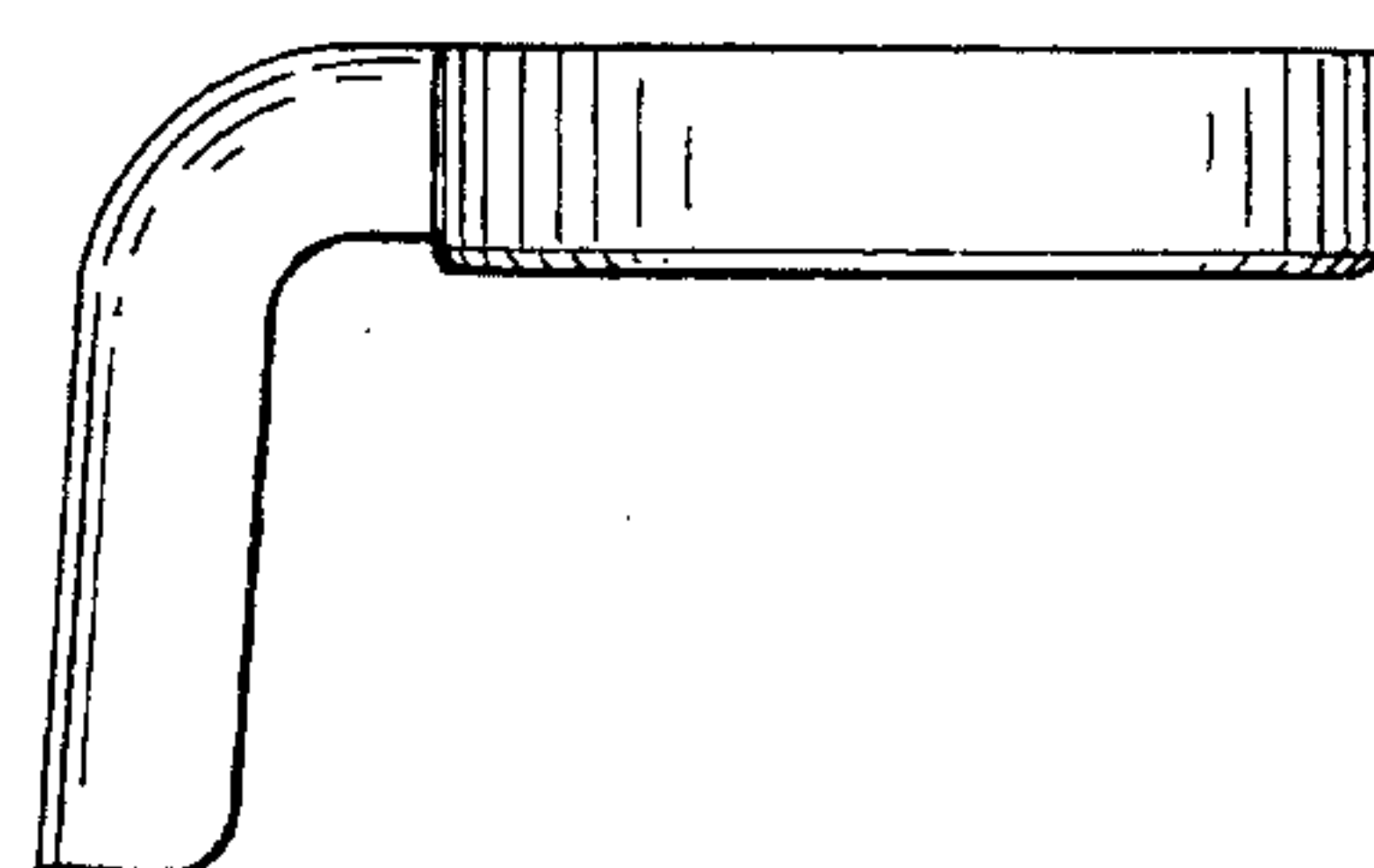


FIG. 2

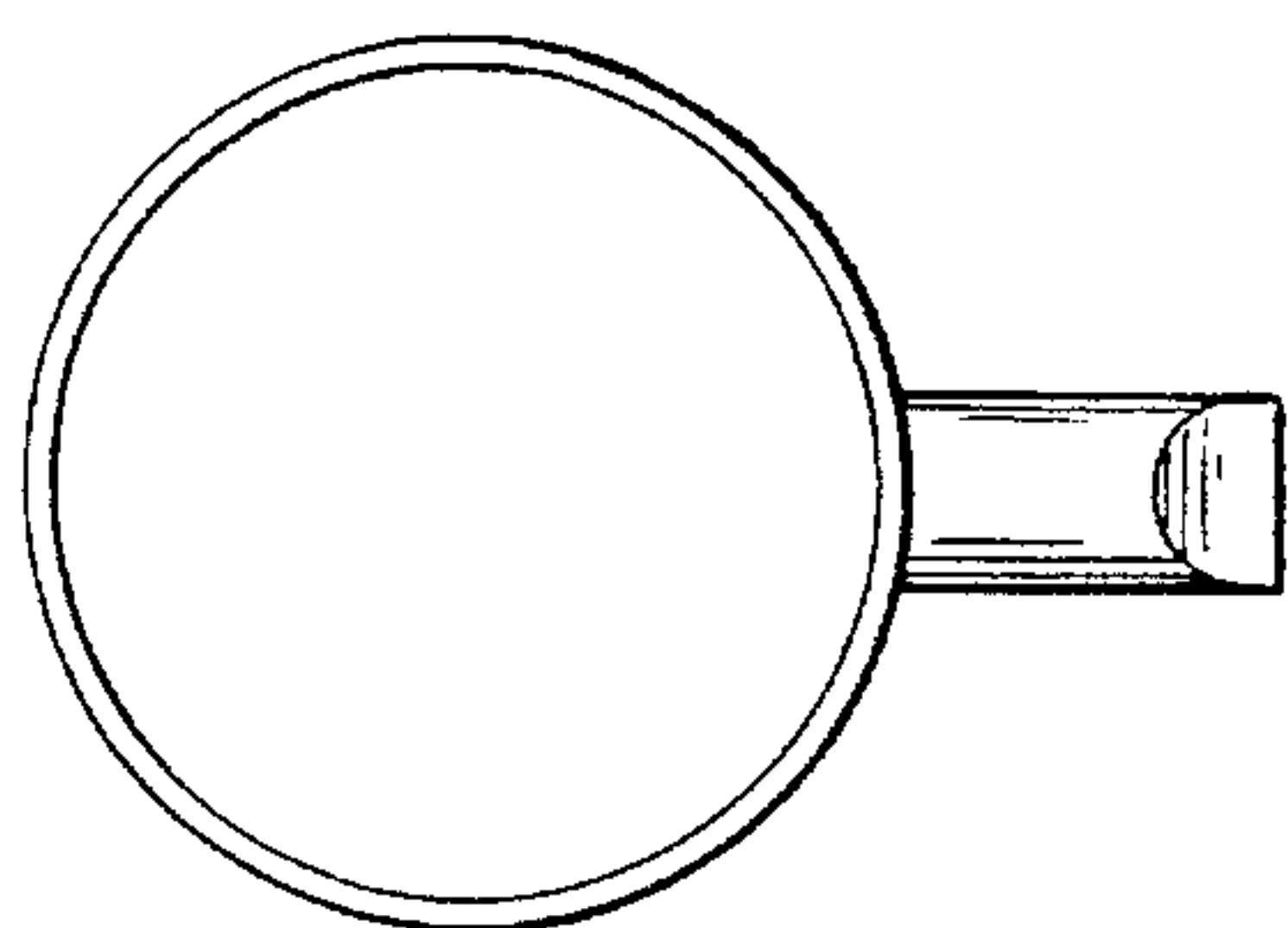


FIG. 5

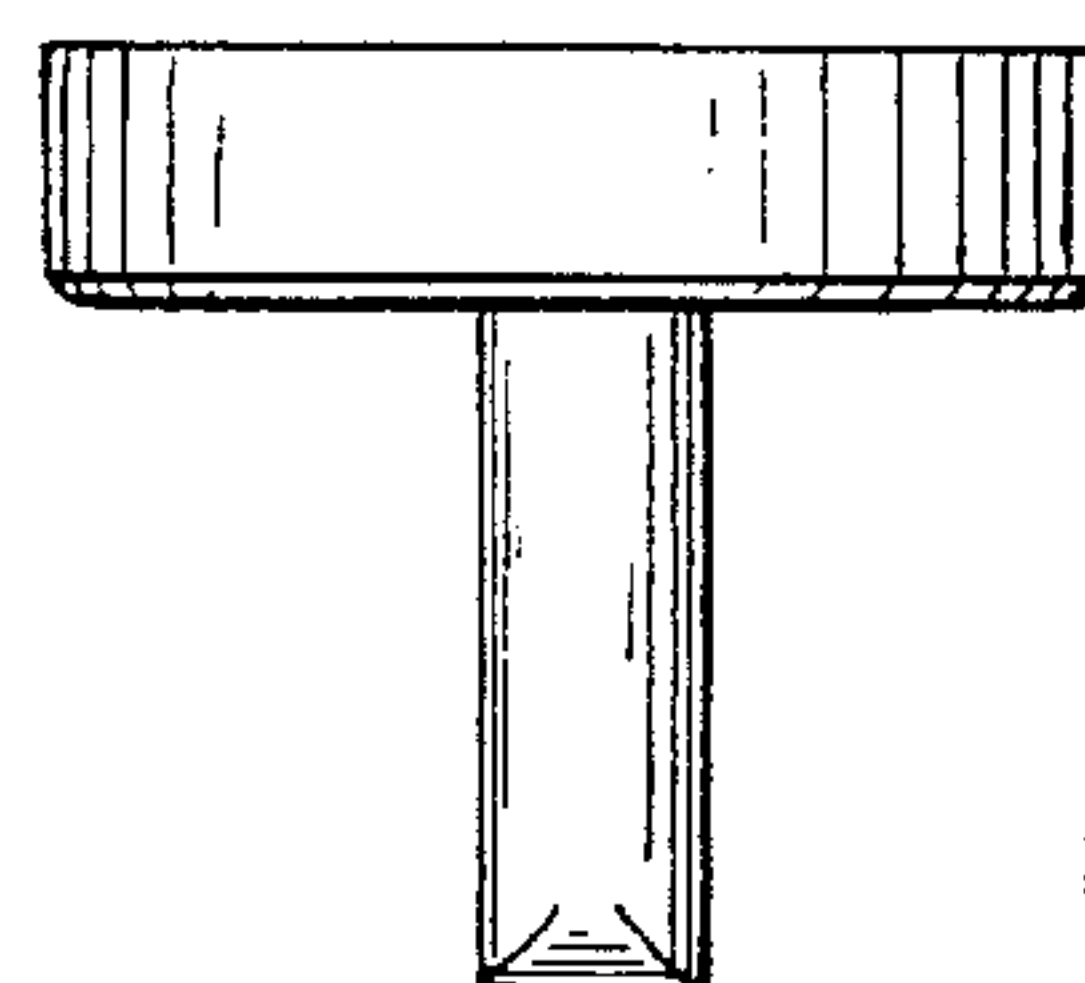


FIG. 6

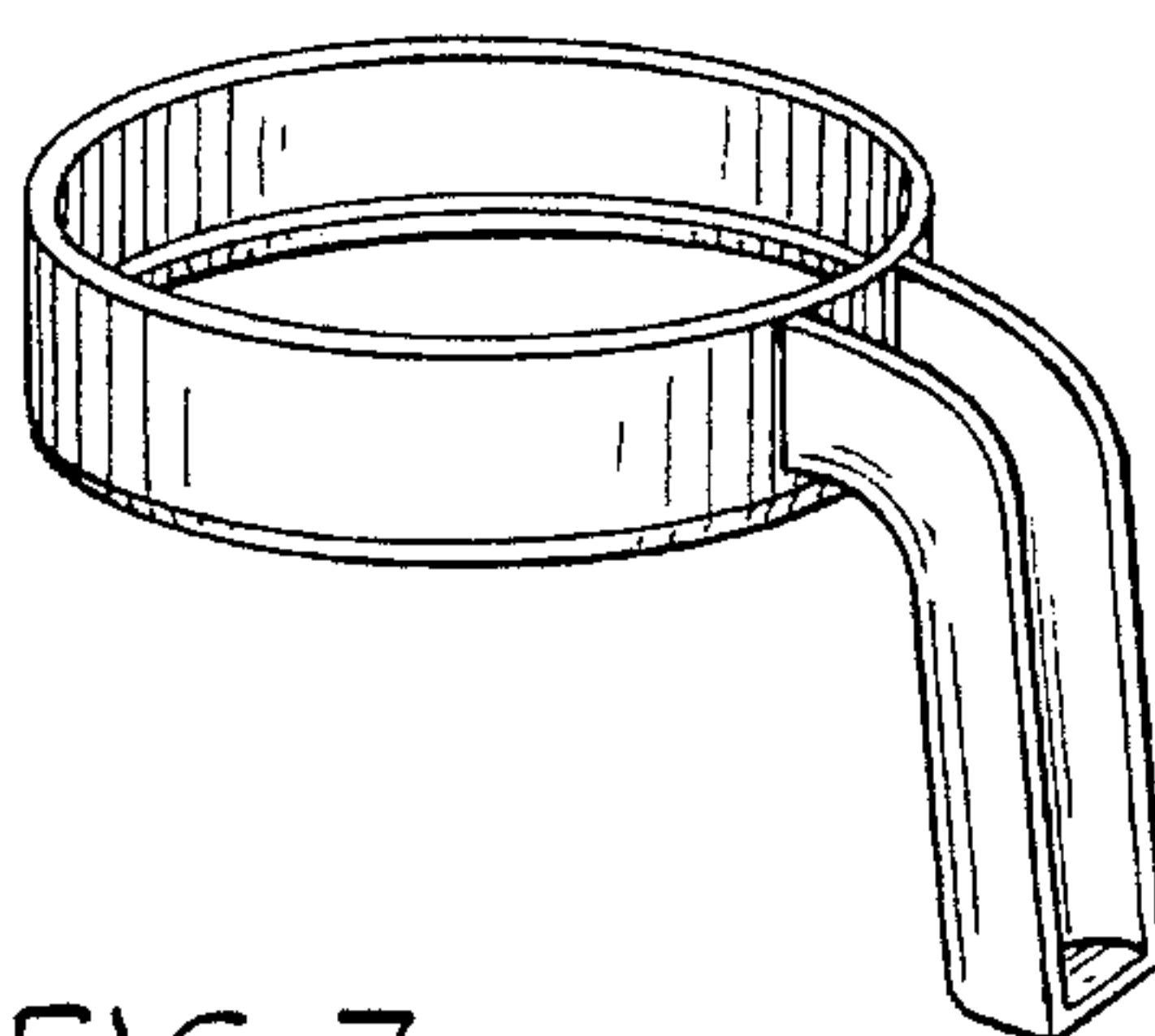


FIG. 7