



US00D370382S

# United States Patent [19] Combe

[11] **Patent Number:** **Des. 370,382**

[45] **Date of Patent:** **\*\*Jun. 4, 1996**

[54] **COOKWARE AND ITS COVER**

D. 345,886 4/1994 Gingele ..... D7/360

[75] Inventor: **Gilles Combe**, Argenton sur Creuse, France

*Primary Examiner*—Alan P. Douglas

*Assistant Examiner*—Caron D. Veynar

*Attorney, Agent, or Firm*—Sixbey, Friedman, Leedom & Ferguson; Gerald J. Ferguson, Jr.; Stuart J. Friedman

[73] Assignee: **Sitram**, France

[\*\*] Term: **14 Years**

[57] **CLAIM**

The ornamental design for cookware and its cover, as shown and described.

[21] Appl. No.: **25,824**

[22] Filed: **Jul. 12, 1994**

**DESCRIPTION**

[30] **Foreign Application Priority Data**

Jan. 14, 1994 [FR] France ..... 94 0189

[52] **U.S. Cl.** ..... **D7/360; D7/358**

[58] **Field of Search** ..... **D7/354-361, 323, D7/365, 366; 99/425, 426, 324, 325, 336, 403; 220/912**

FIG. 1 is a front elevational view of the cookware and its cover of the present invention;

FIG. 2 is a top plan view of the cookware and its cover of FIG. 1;

FIG. 3 is a left, side elevational view of the cookware and its cover of FIG. 1;

FIG. 4 is a right, side elevational view of the cookware and its cover of FIG. 1;

FIG. 5 is a rear elevational view of the cookware and its cover of the present invention; and,

FIG. 6 is a front perspective view of the cookware and its cover of the present invention.

[56] **References Cited**

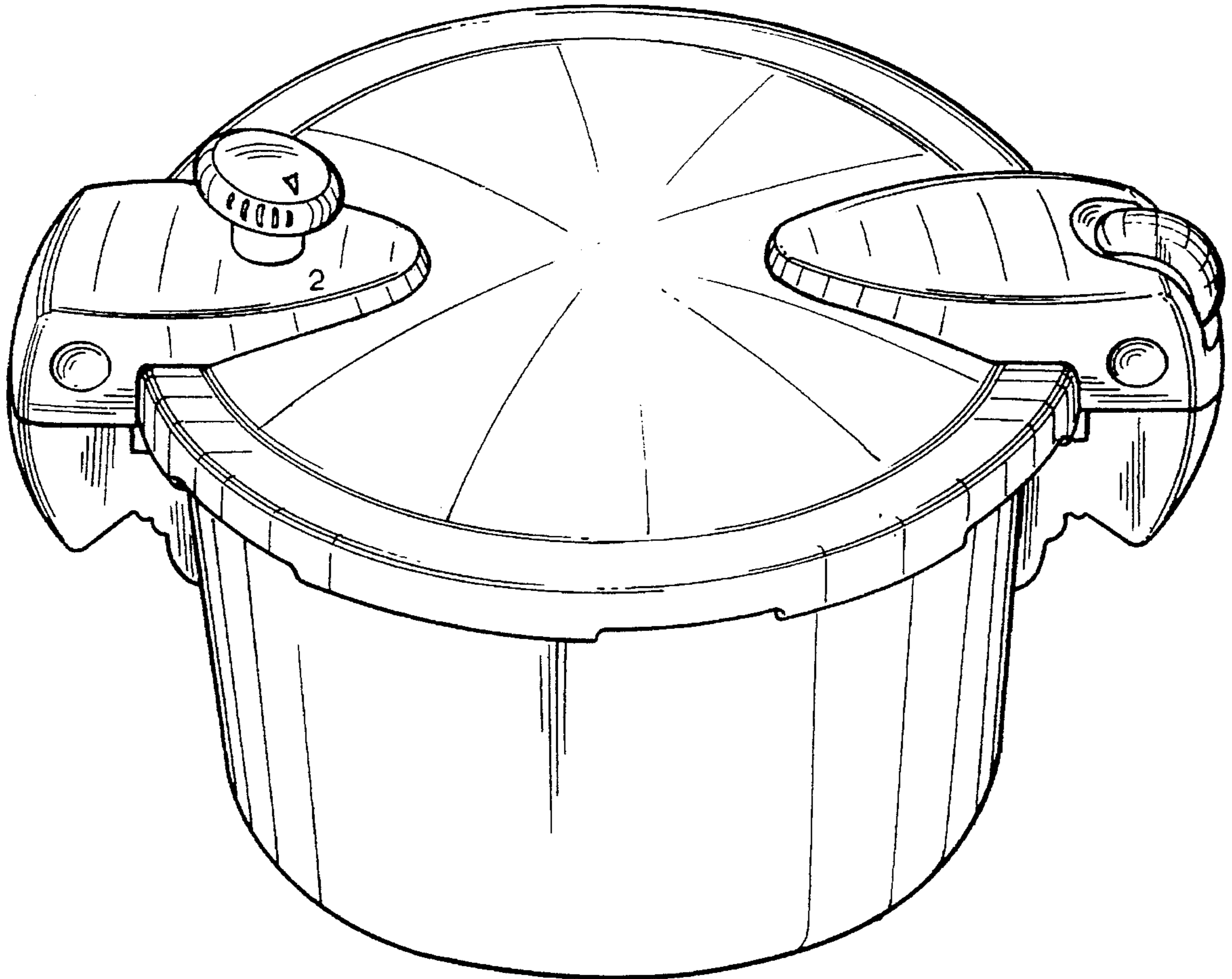
**U.S. PATENT DOCUMENTS**

D. 253,388 11/1979 Boldt et al. .... D7/358

D. 263,270 3/1982 Pauty ..... D7/358

D. 285,644 9/1986 Kitakaze et al. .... D7/358

**1 Claim, 5 Drawing Sheets**



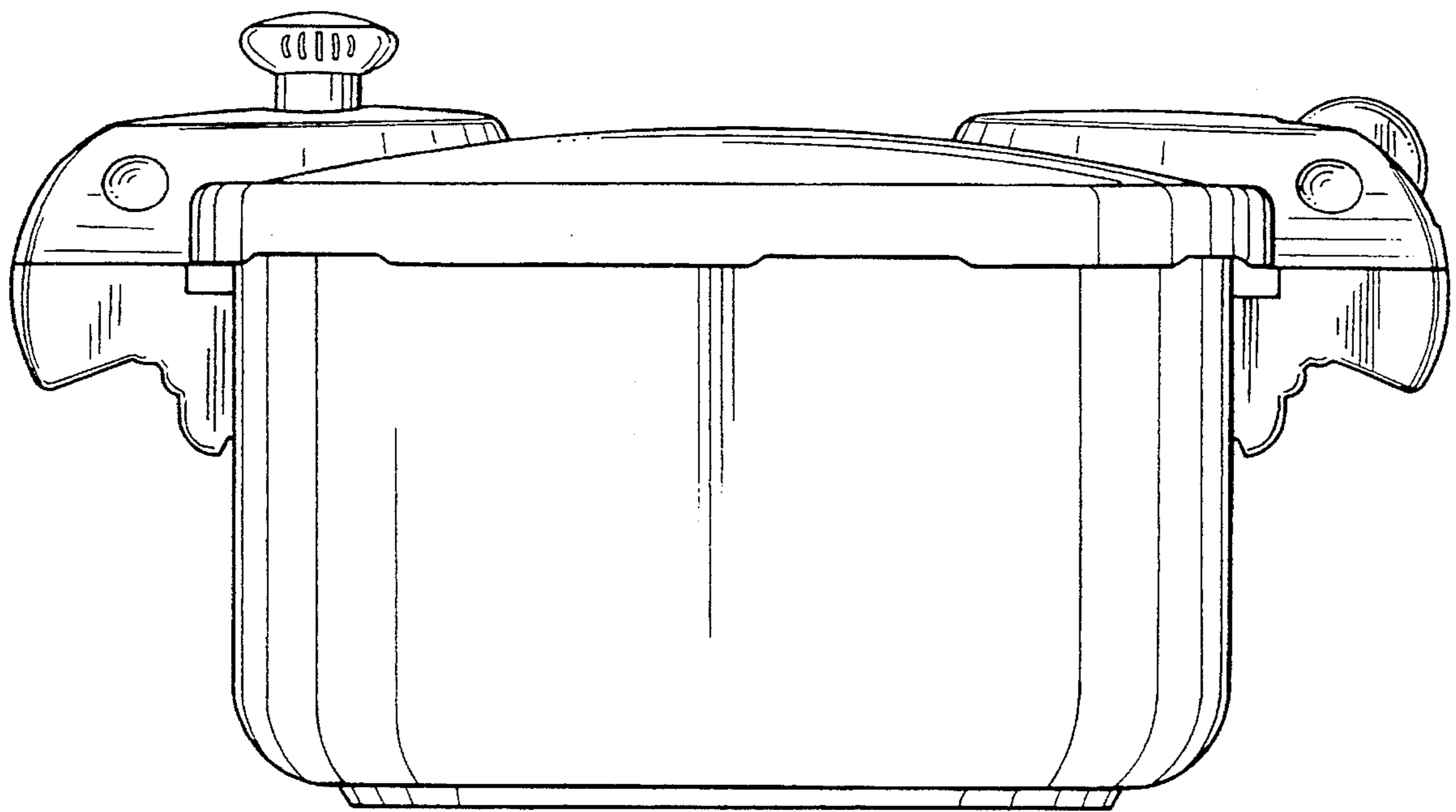


FIG. 1

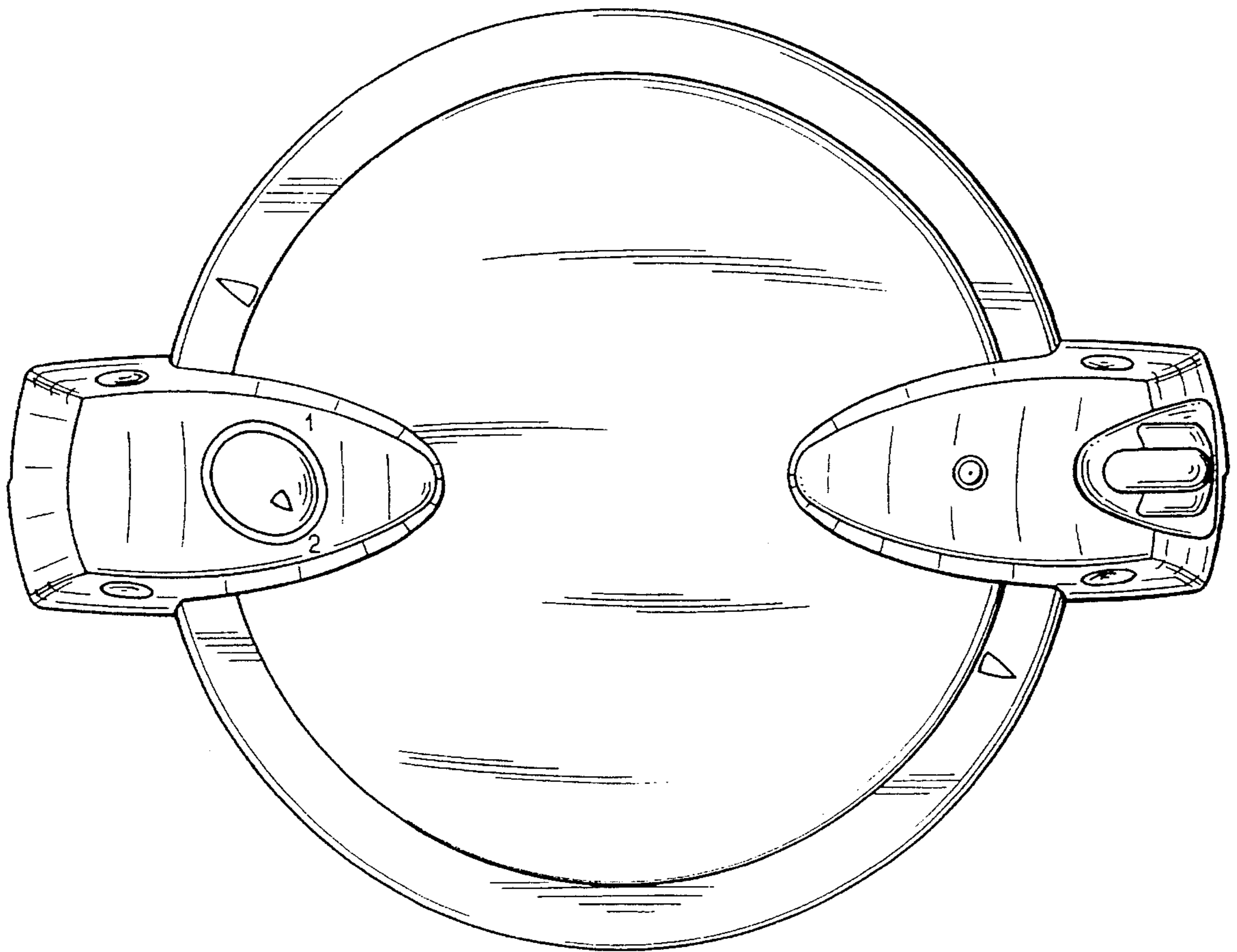


FIG. 2

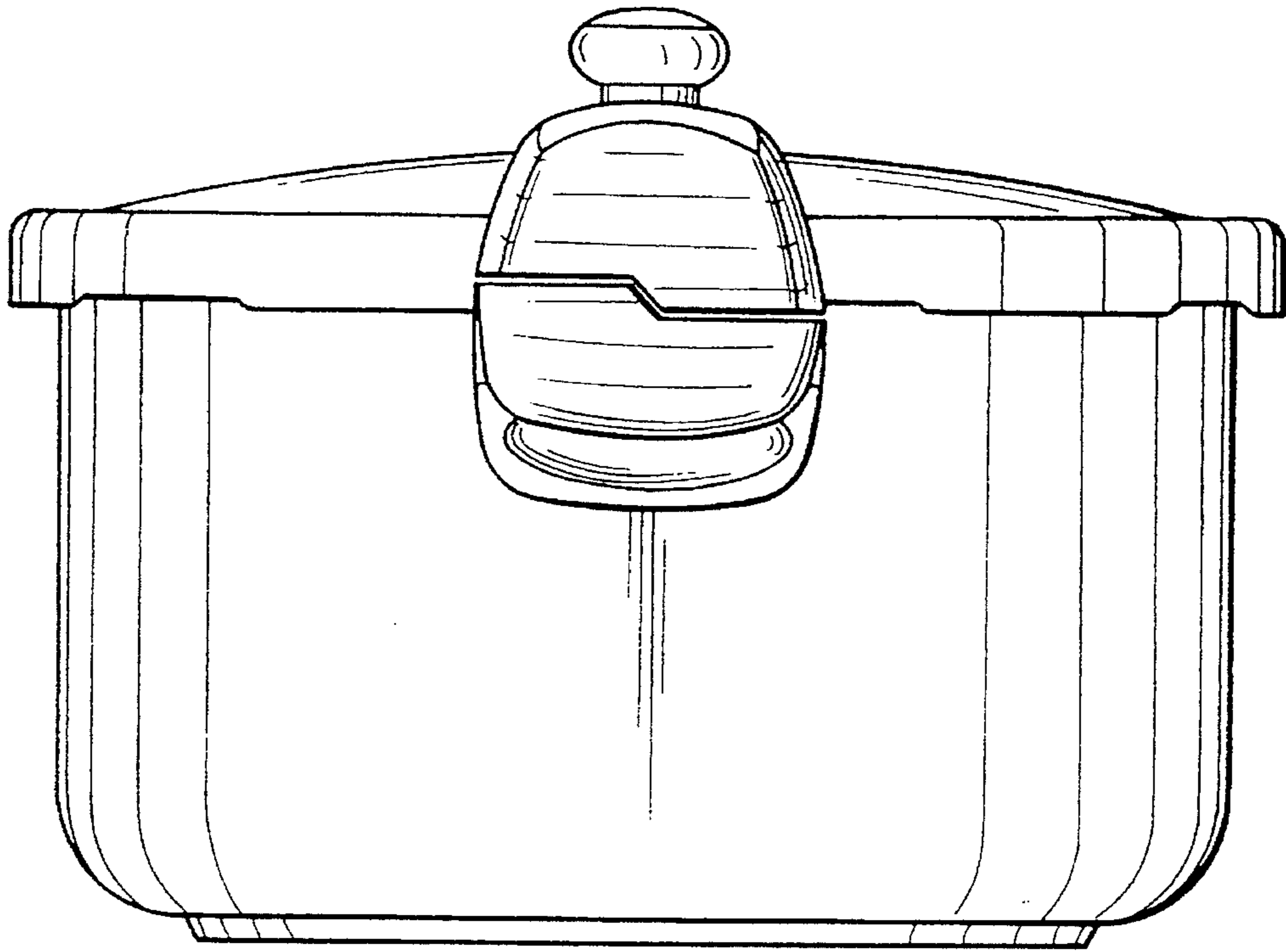


FIG. 3

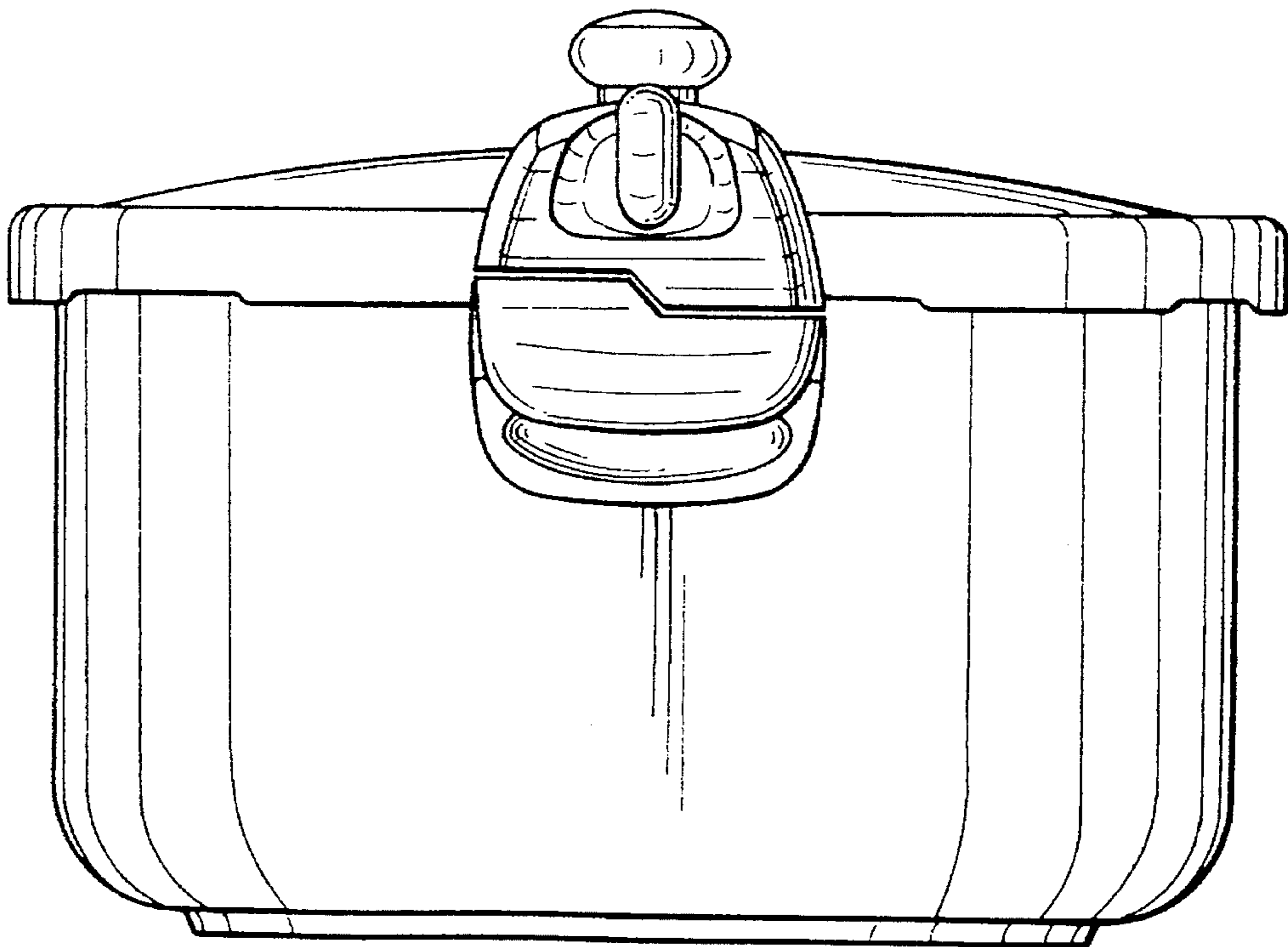


FIG. 4

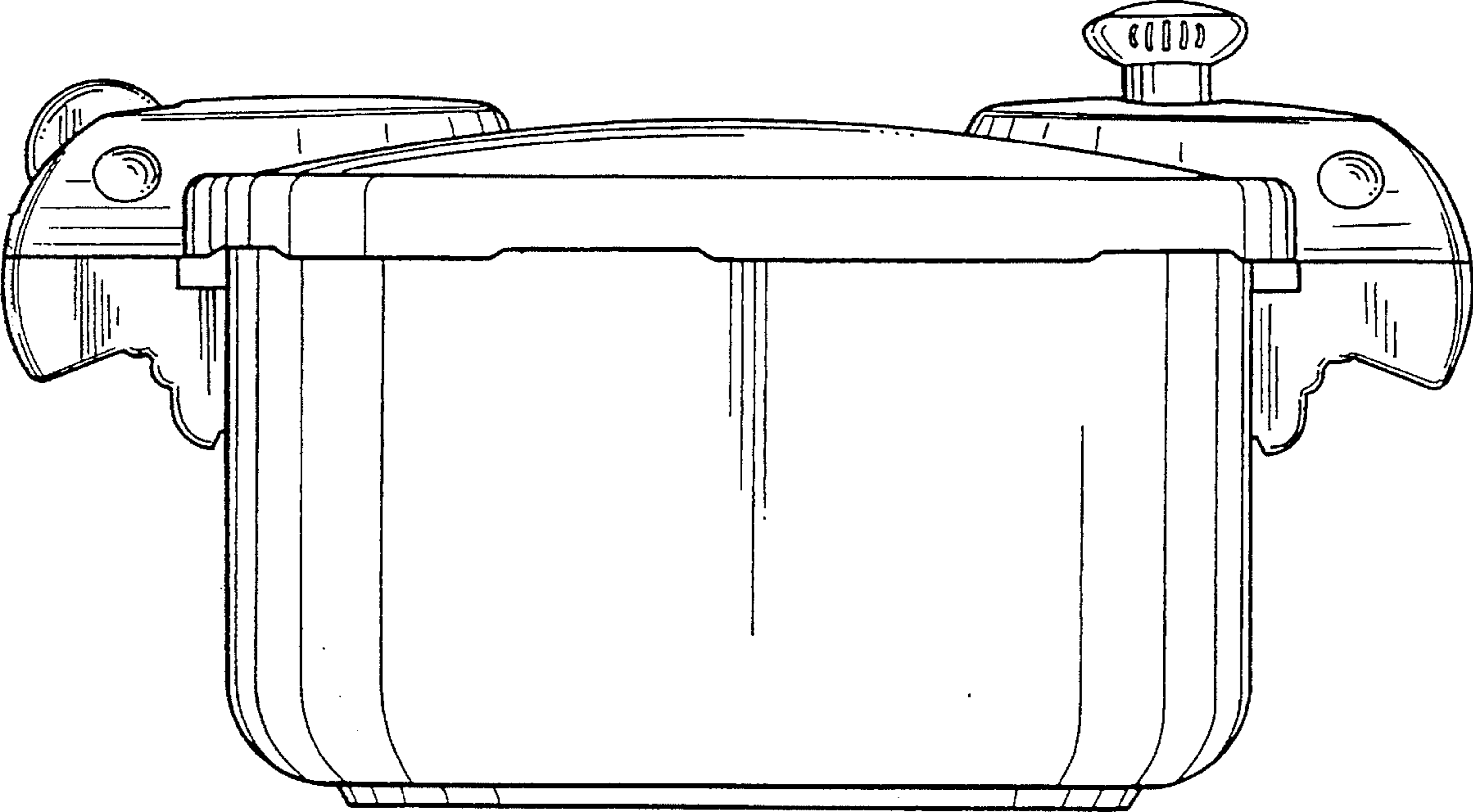


FIG. 5



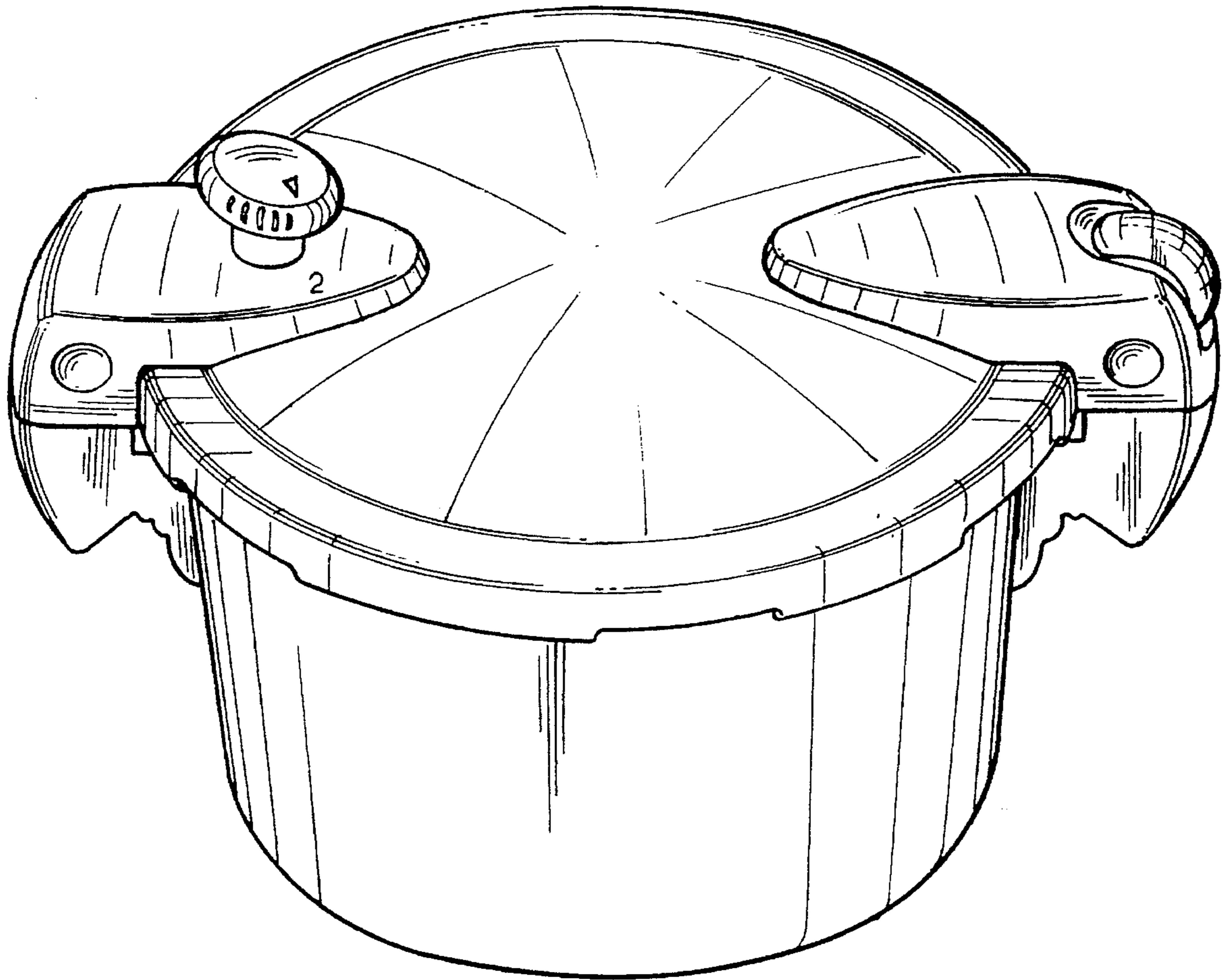


FIG. 6