



US00D370381S

United States Patent [19]
Roussard

[11] **Patent Number:** **Des. 370,381**

[45] **Date of Patent:** ****Jun. 4, 1996**

[54] **PRESSURE COOKER**

D. 345,886 4/1994 Gingele D7/354 X
D. 353,969 1/1995 Savinel D7/358

[75] Inventor: **Philippe Roussard**, Dijon, France

[73] Assignee: **SEB**, Selongey, France

[**] Term: **14 Years**

Primary Examiner—Alan P. Douglas
Assistant Examiner—Caron D. Veynar
Attorney, Agent, or Firm—Loeb and Loeb

[21] Appl. No.: **33,252**

[57] **CLAIM**

The ornamental design for a pressure cooker, as shown.

[22] Filed: **Jan. 9, 1995**

DESCRIPTION

[30] **Foreign Application Priority Data**

Jul. 8, 1994 [FR] France 94 40 87

[52] **U.S. Cl.** **D7/358**

[58] **Field of Search** D7/323, 354, 358,
D7/360, 391-392.1; 99/324, 336, 403;
220/912

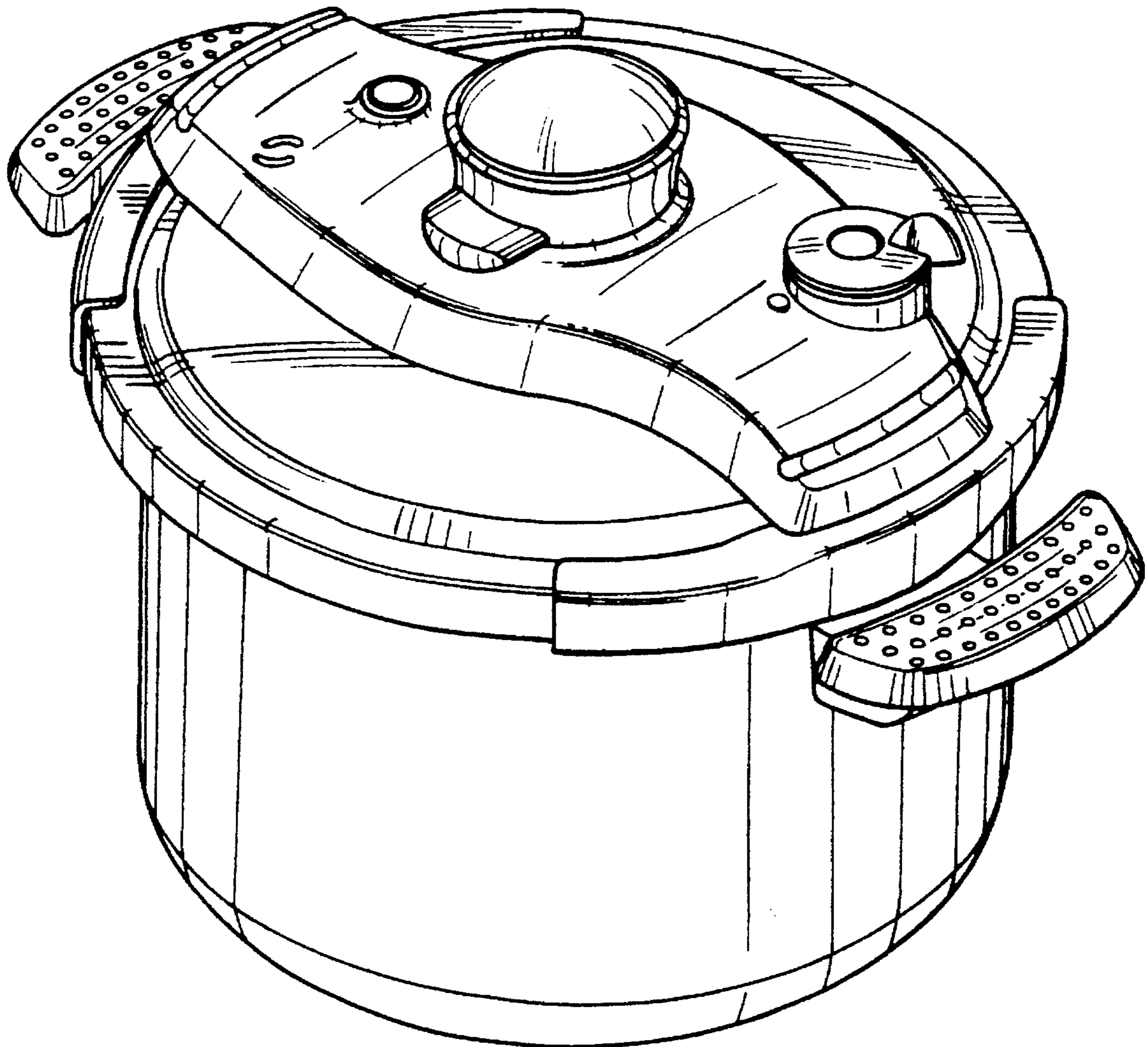
FIG. 1 is a front elevational view of a pressure cooker showing my new design;
FIG. 2 is a rear elevational view thereof;
FIG. 3 is a left side elevational view thereof;
FIG. 4 is a right side elevational view thereof;
FIG. 5 is a top plan view thereof;
FIG. 6 is a bottom plan view thereof; and,
FIG. 7 is a perspective view thereof.

[56] **References Cited**

U.S. PATENT DOCUMENTS

D. 329,570 9/1992 Gerlach D7/354 X

1 Claim, 7 Drawing Sheets



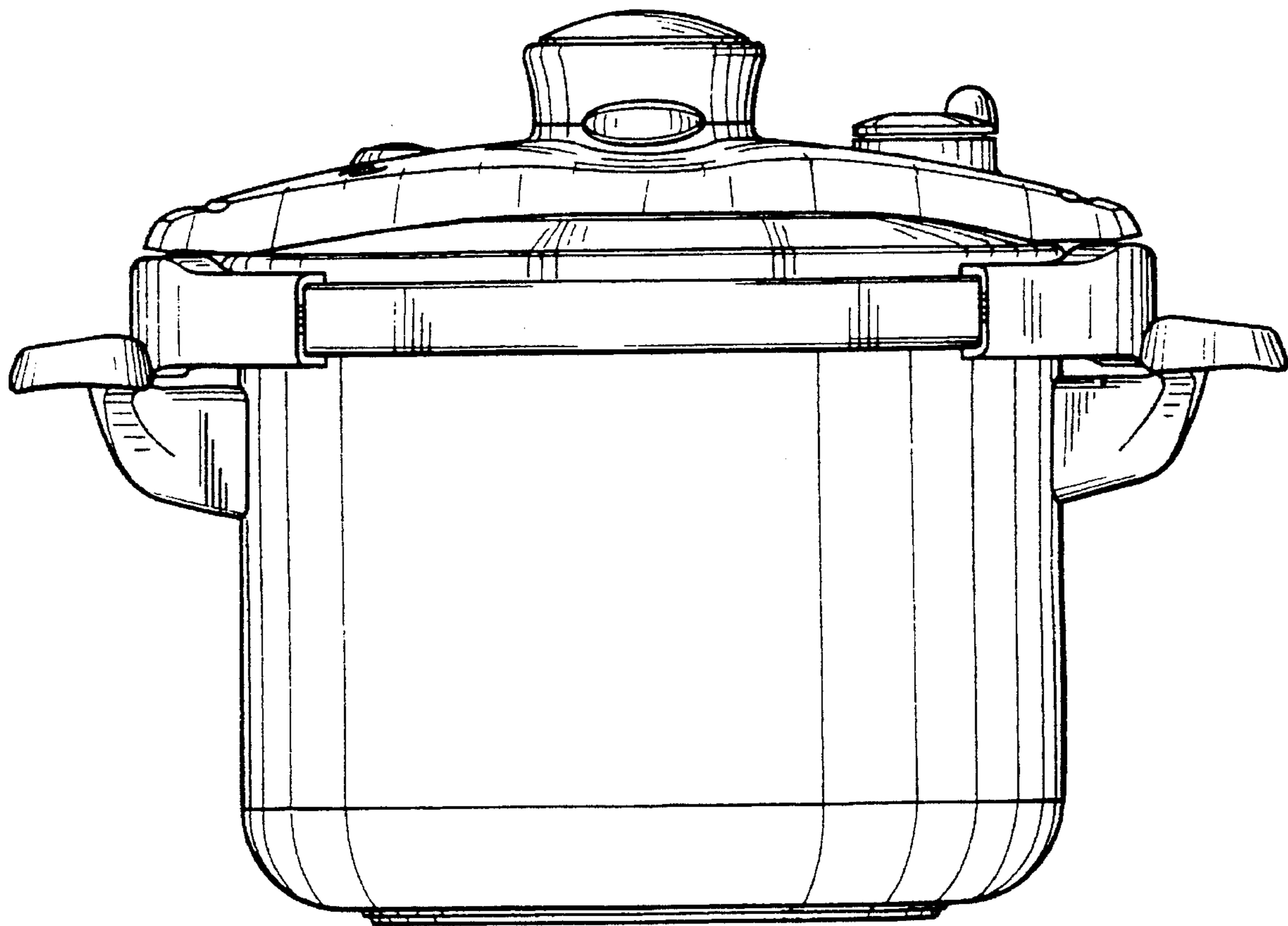


FIG. 1

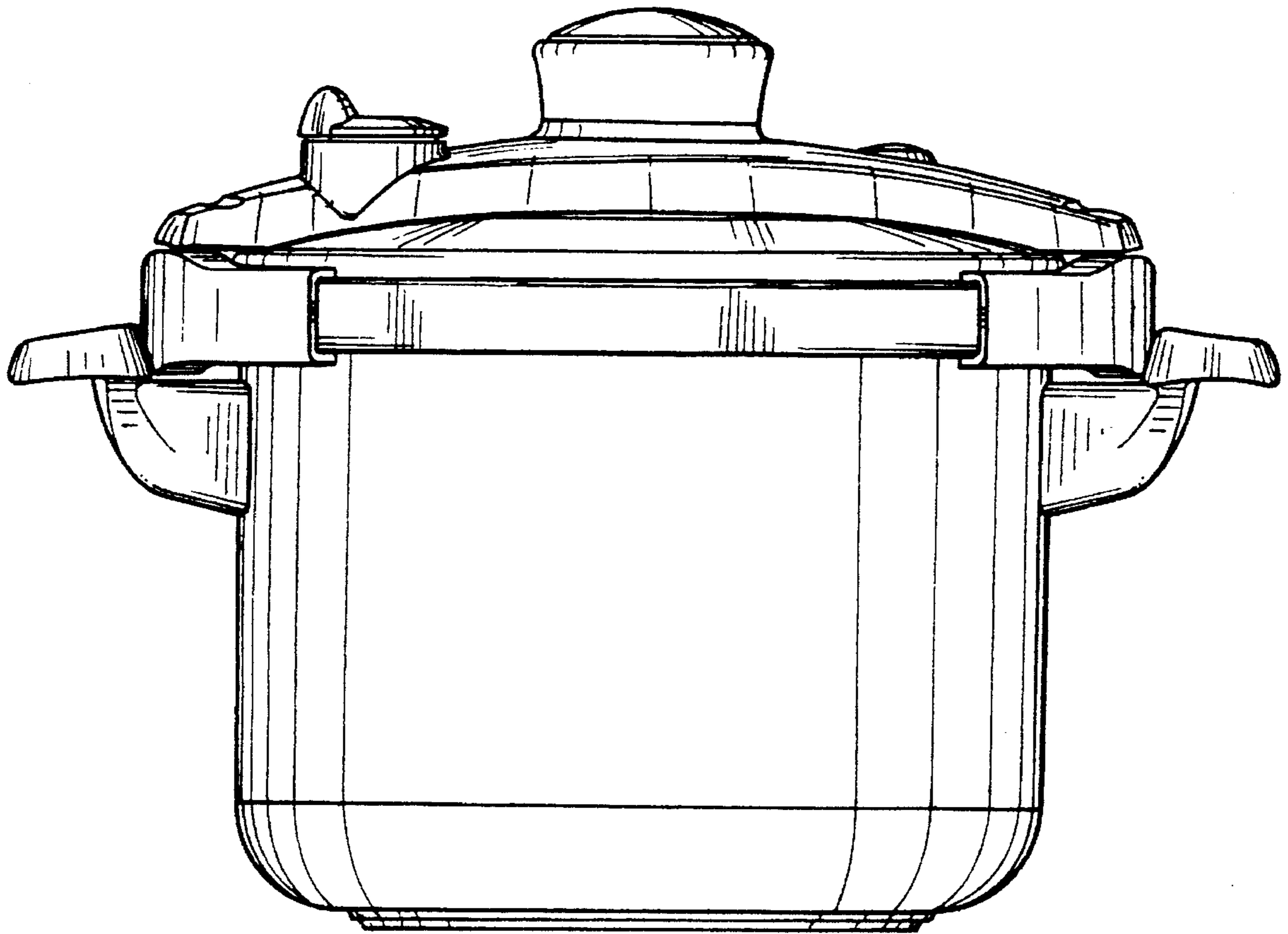


FIG. 2

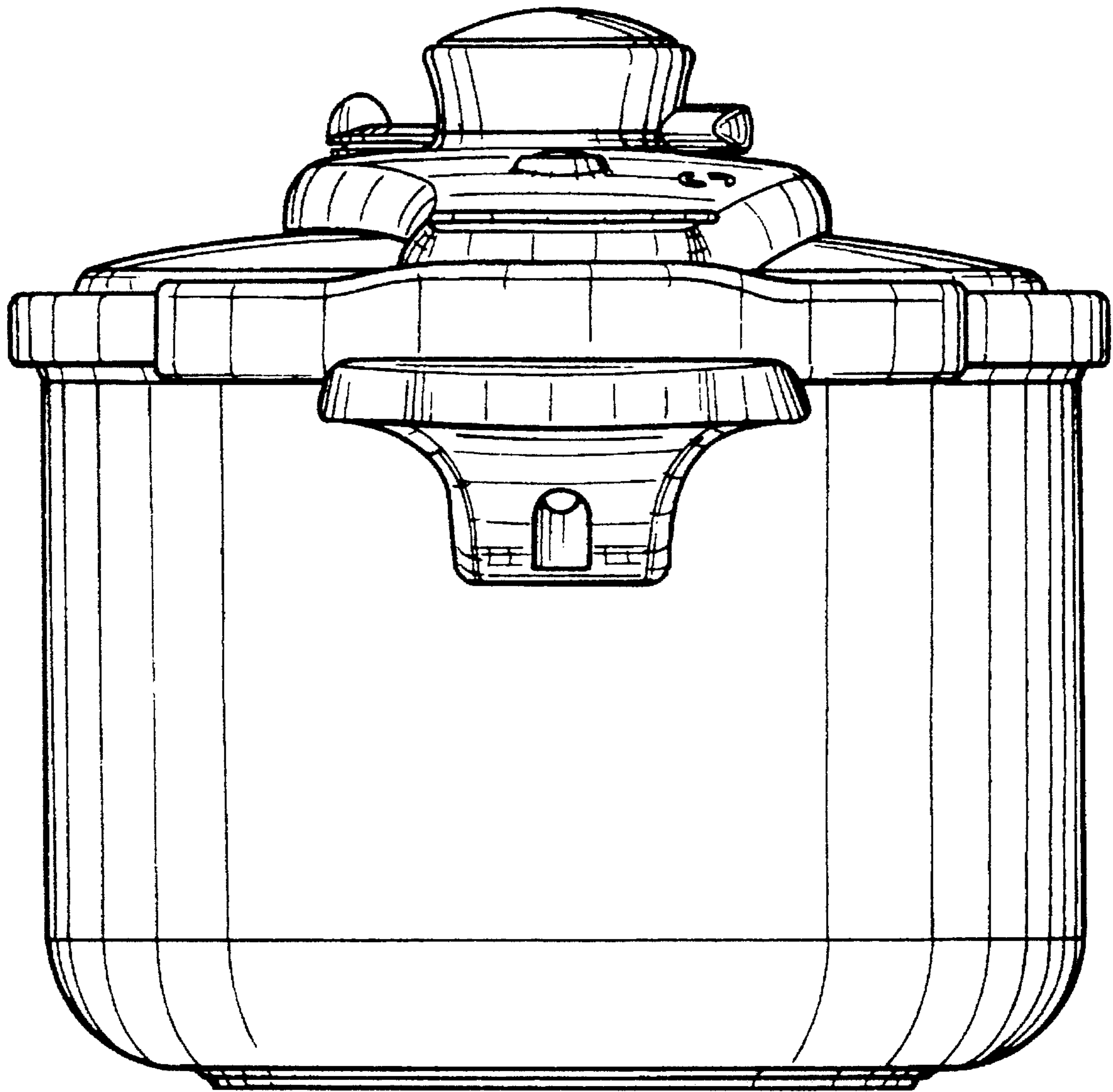


FIG. 3

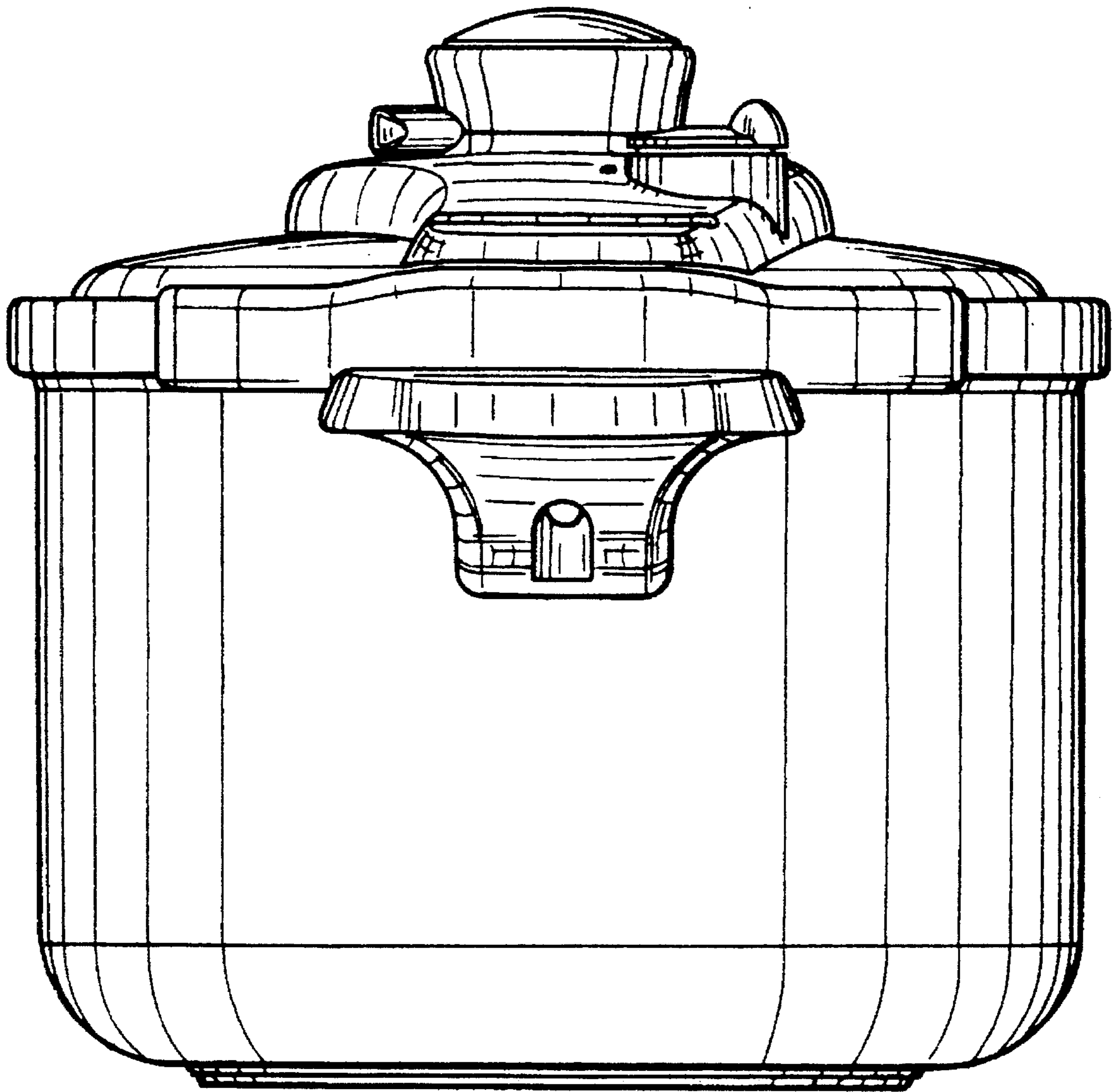


FIG. 4

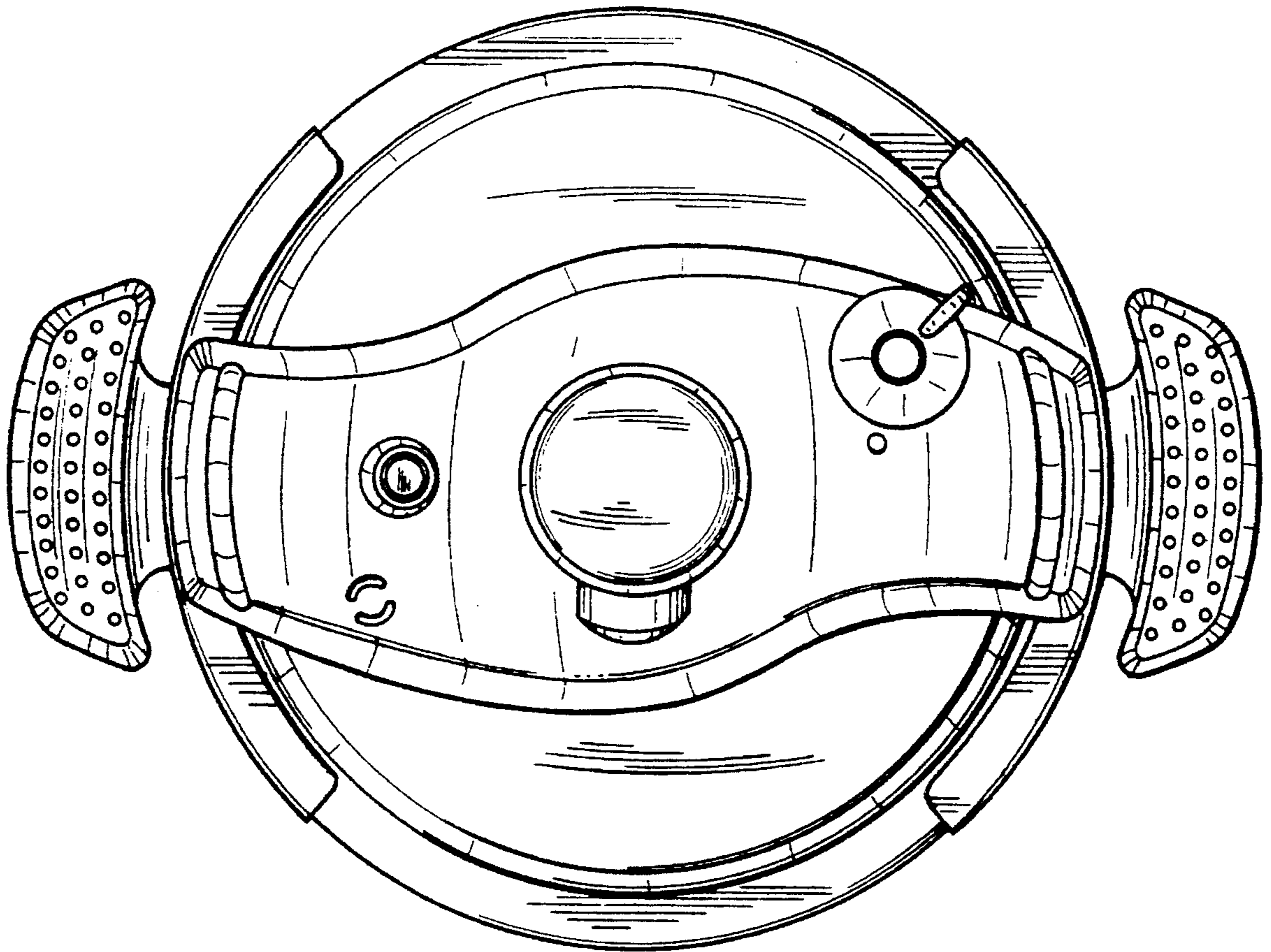


FIG. 5

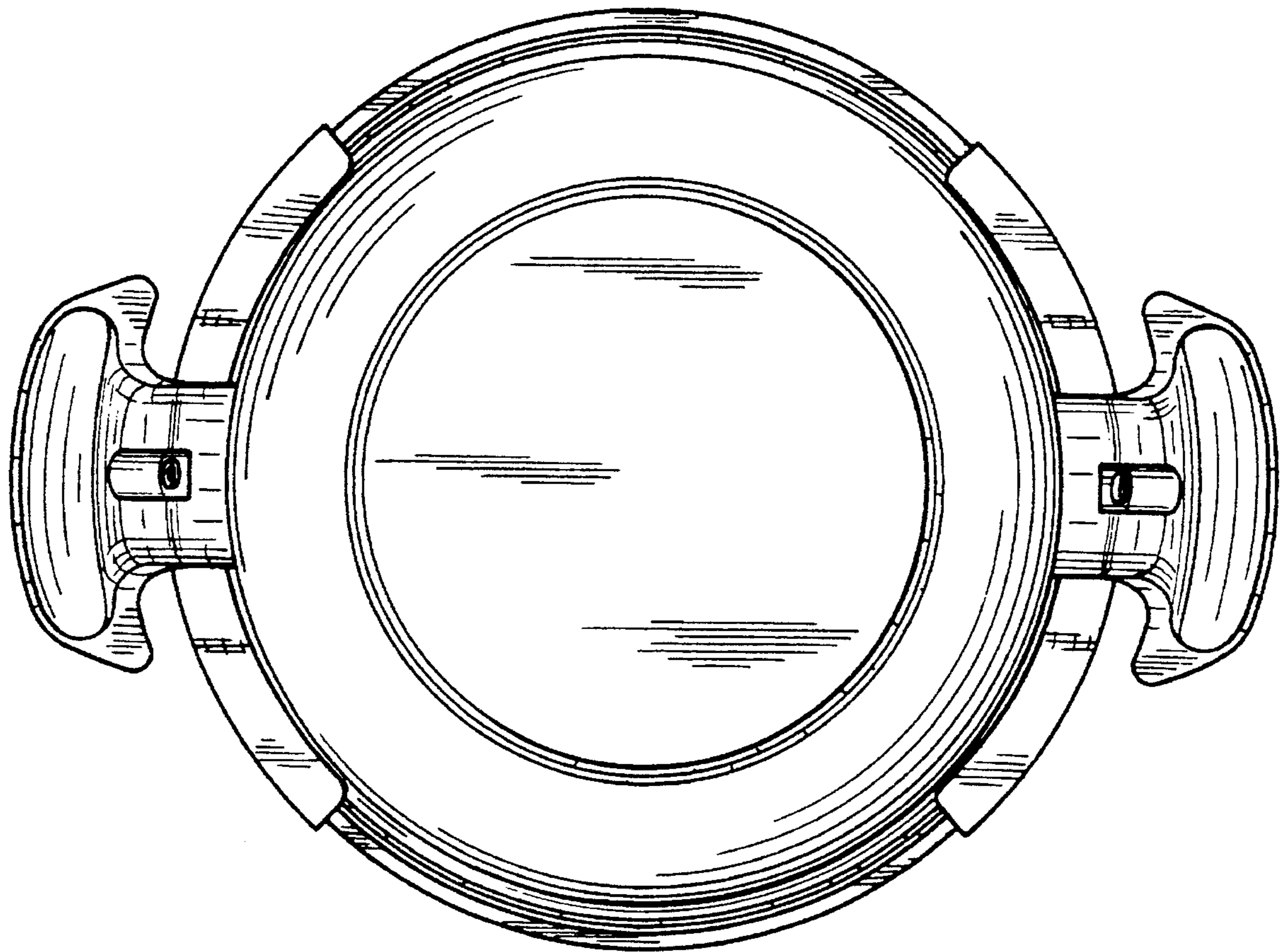


FIG. 6

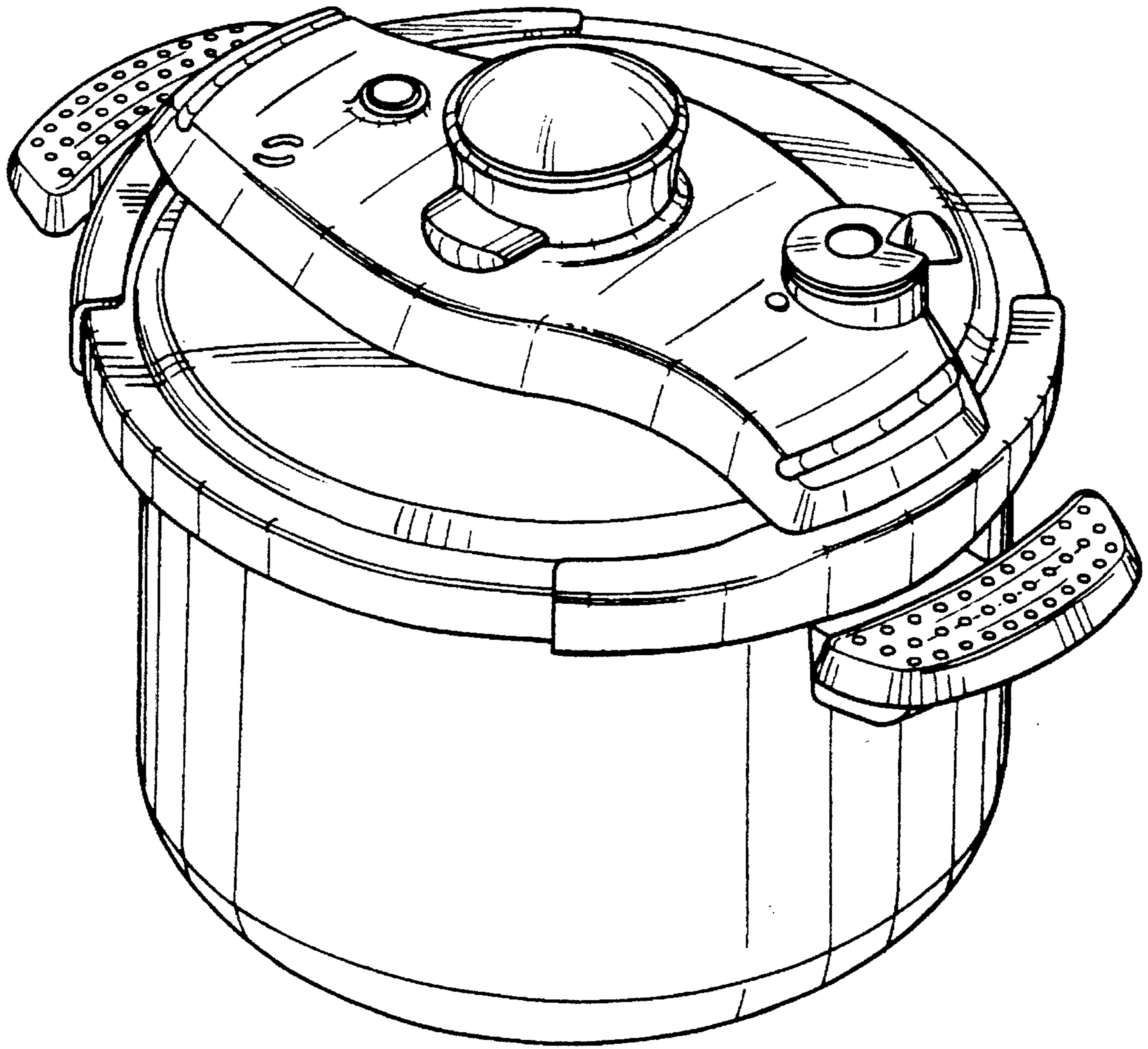


FIG. 7