



US00D370380S

United States Patent [19]

McGourthy, Jr. et al.

[11] Patent Number: **Des. 370,380**

[45] Date of Patent: ****Jun. 4, 1996**

[54] **BARBEQUE GRILL**

[75] Inventors: **John D. McGourthy, Jr.**, Mequon;
Kipp K. Stevens, Milwaukee; **Richard Walters**, Port Washington, all of Wis.

[73] Assignee: **Keg Products Inc.**, Mequon, Wis.

[**] Term: **14 Years**

[21] Appl. No.: **35,377**

[22] Filed: **Feb. 27, 1995**

[52] U.S. Cl. **D7/332; D7/337; D7/347**

[58] Field of Search **D7/332, 334, 337, D7/339, 347, 360; 126/25 R, 25 A, 25 AA, 29, 30, 9 R**

[56] **References Cited**

U.S. PATENT DOCUMENTS

D. 237,856	12/1975	Madison et al.	D7/332
D. 282,811	3/1986	Best	D7/332
D. 286,492	11/1986	Erming	D7/334
1,300,710	4/1919	Edwards	125/25 R
2,247,612	1/1939	Haislip	126/25 A
4,526,158	7/1985	Lee	126/25 A

OTHER PUBLICATIONS

"Weber" products catalog—pp. 8–12.

Primary Examiner—Louis S. Zarfaz
Assistant Examiner—Gregory Andoll

Attorney, Agent, or Firm—Michael, Best & Friedrich

[57] **CLAIM**

The ornamental design for a barbeque grill, as shown and described.

DESCRIPTION

FIG. 1 is a perspective view of the barbeque grill with cover on and legs folded down showing our new design;

FIG. 2 is a top plan view thereof;

FIG. 3 is a bottom plan view thereof;

FIG. 4 is a front elevational view thereof, the rear elevational view being a mirror image thereof;

FIG. 5 is a right side elevational view thereof, the left side elevational view being a mirror image thereof;

FIG. 6 is a perspective view of the barbeque grill with cover removed and legs folded down showing our new design;

FIG. 7 is a perspective view of the barbeque grill with cover on and legs folded up showing our new design;

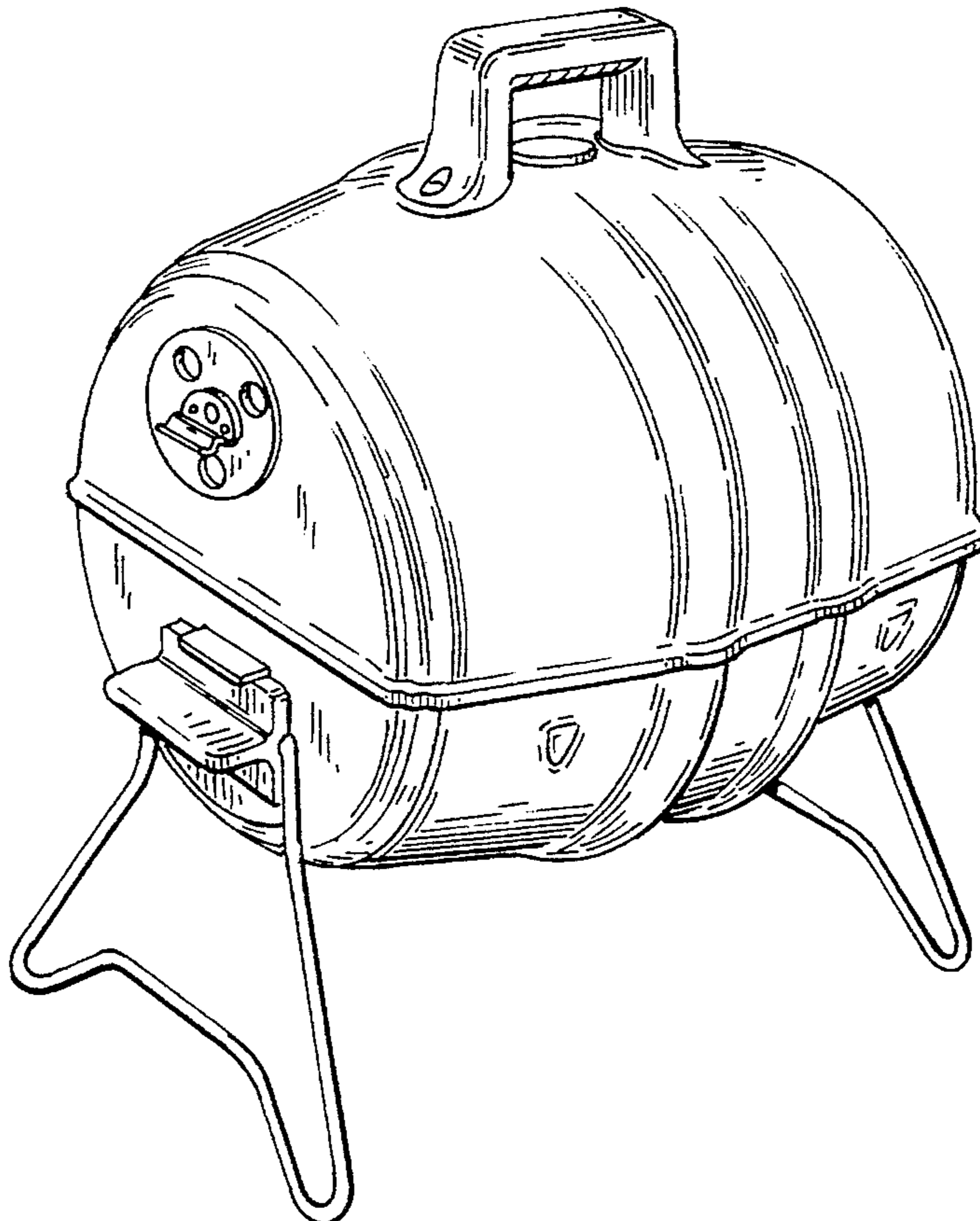
FIG. 8 is a top plan view thereof;

FIG. 9 is a bottom plan view thereof;

FIG. 10 is a front elevational view thereof, the rear elevational view being a mirror image thereof; and,

FIG. 11 is a right side elevational view thereof, the left side elevational view being a mirror image thereof.

1 Claim, 6 Drawing Sheets



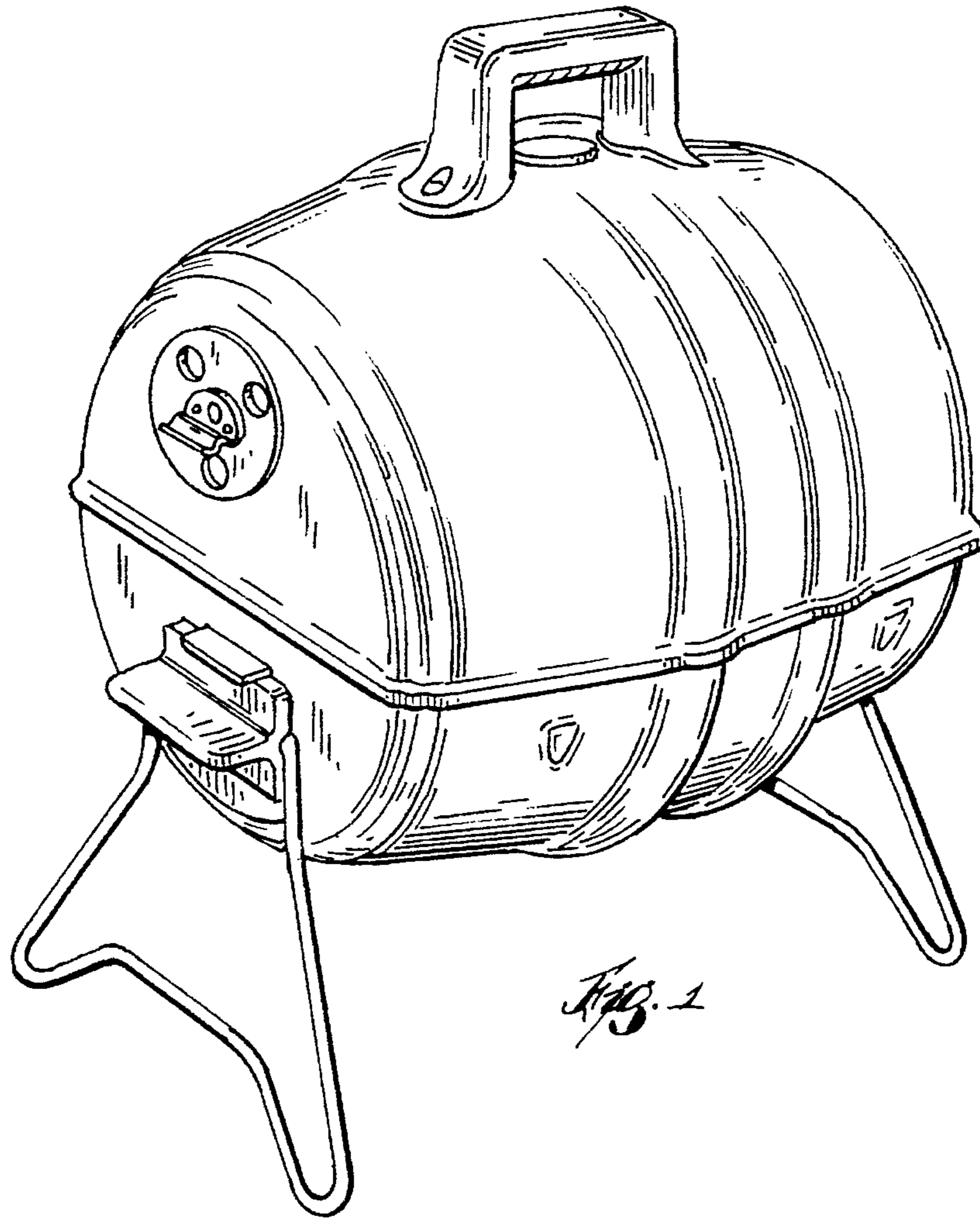


Fig. 1

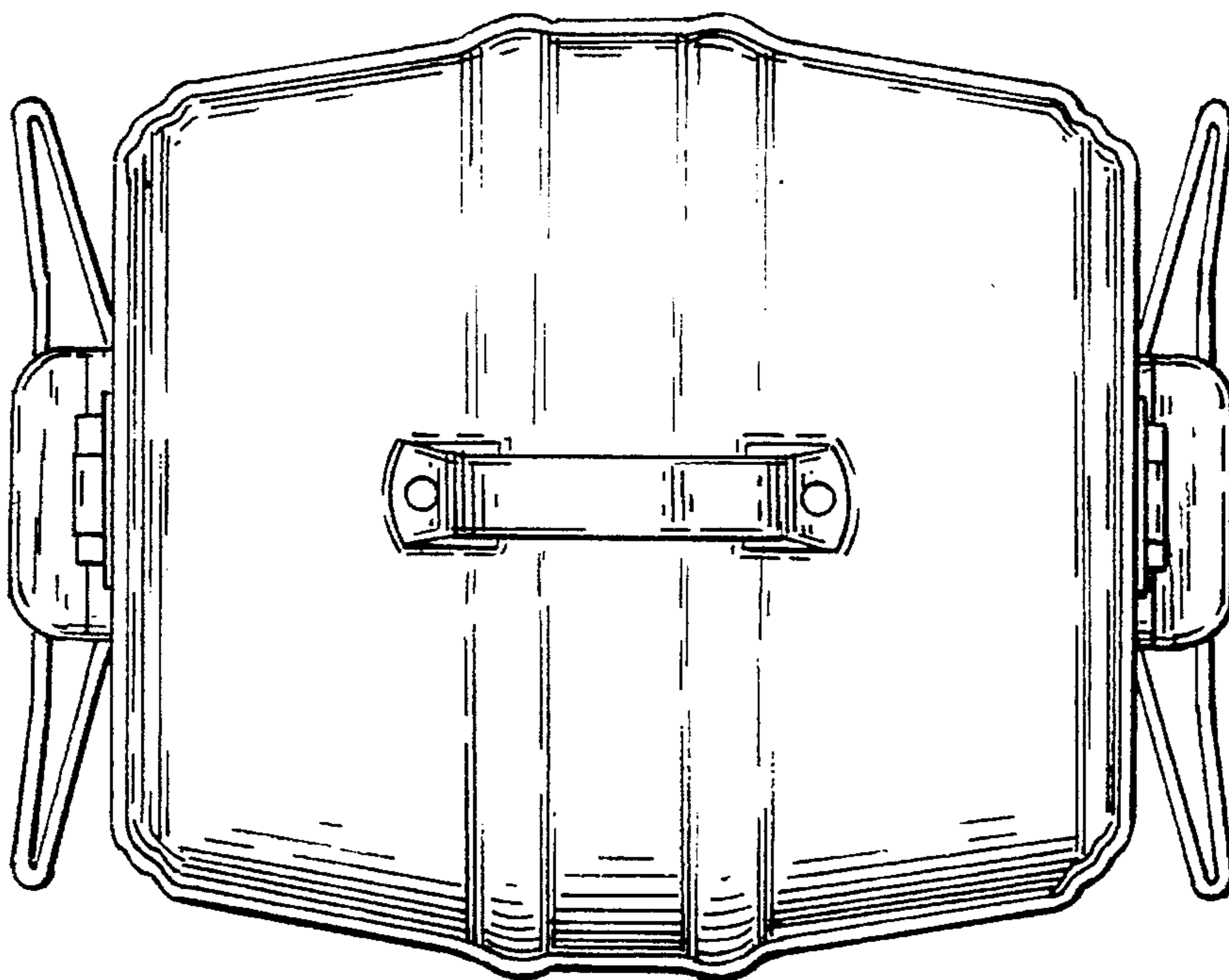


Fig. 2

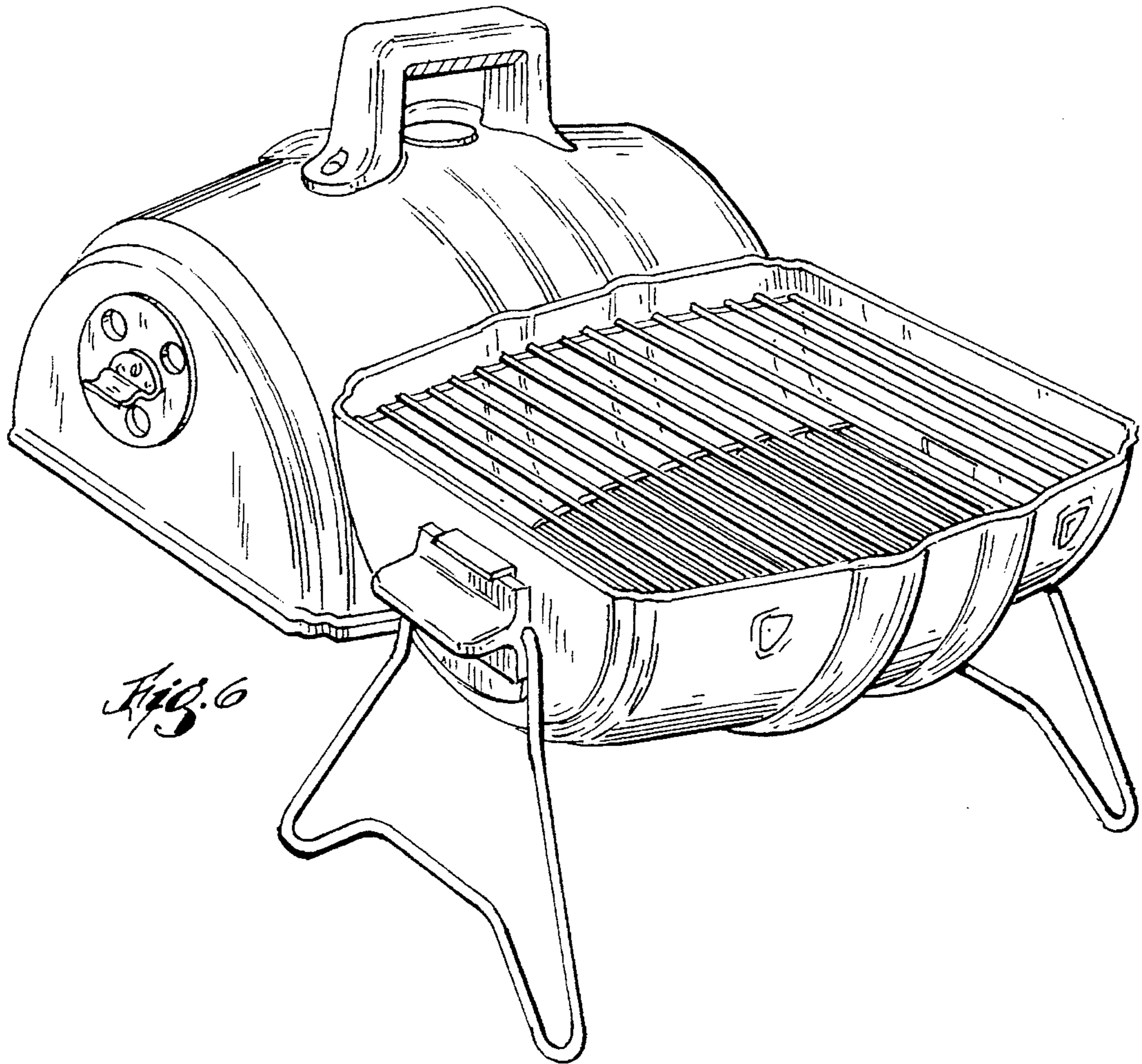


Fig. 6

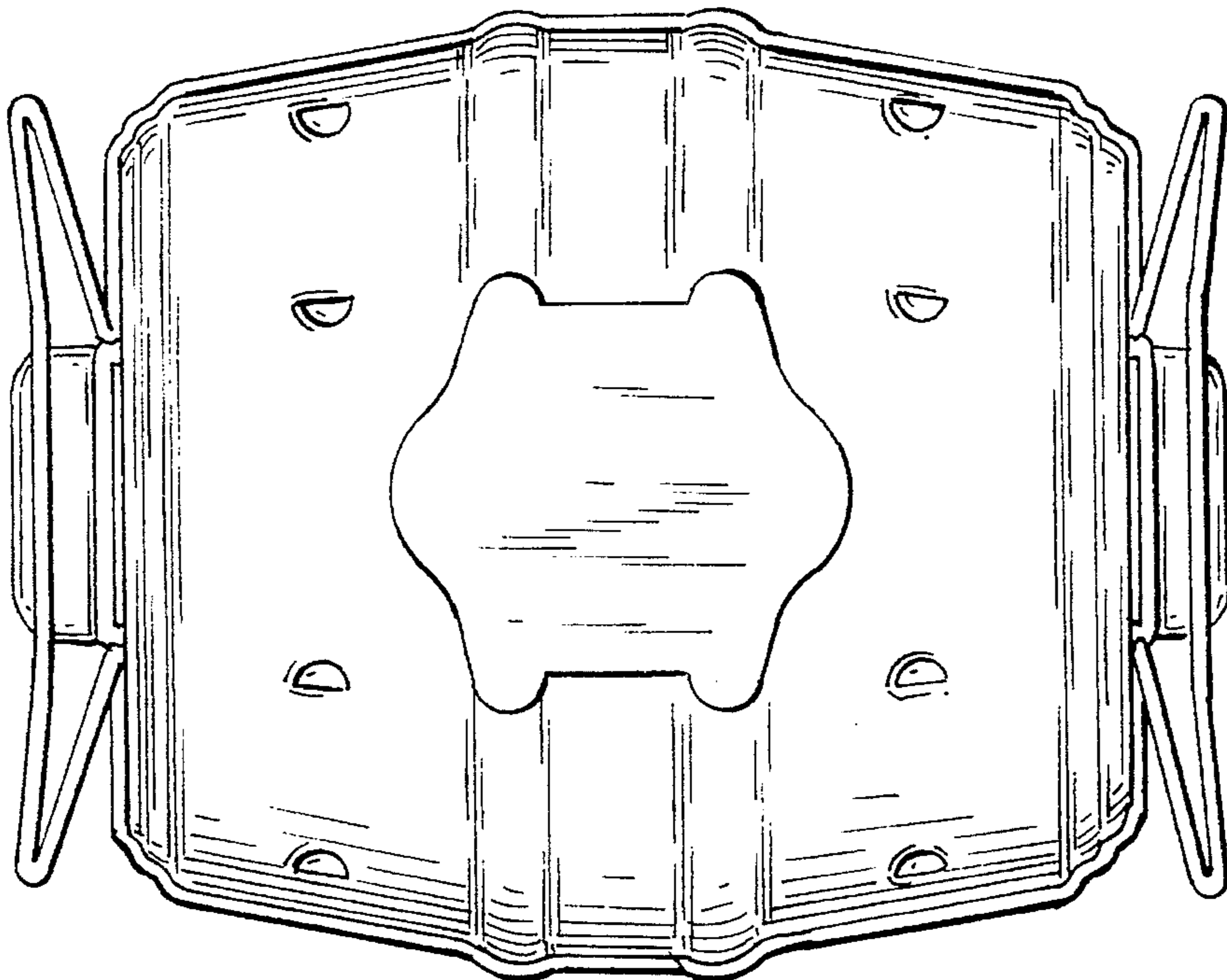


Fig. 3

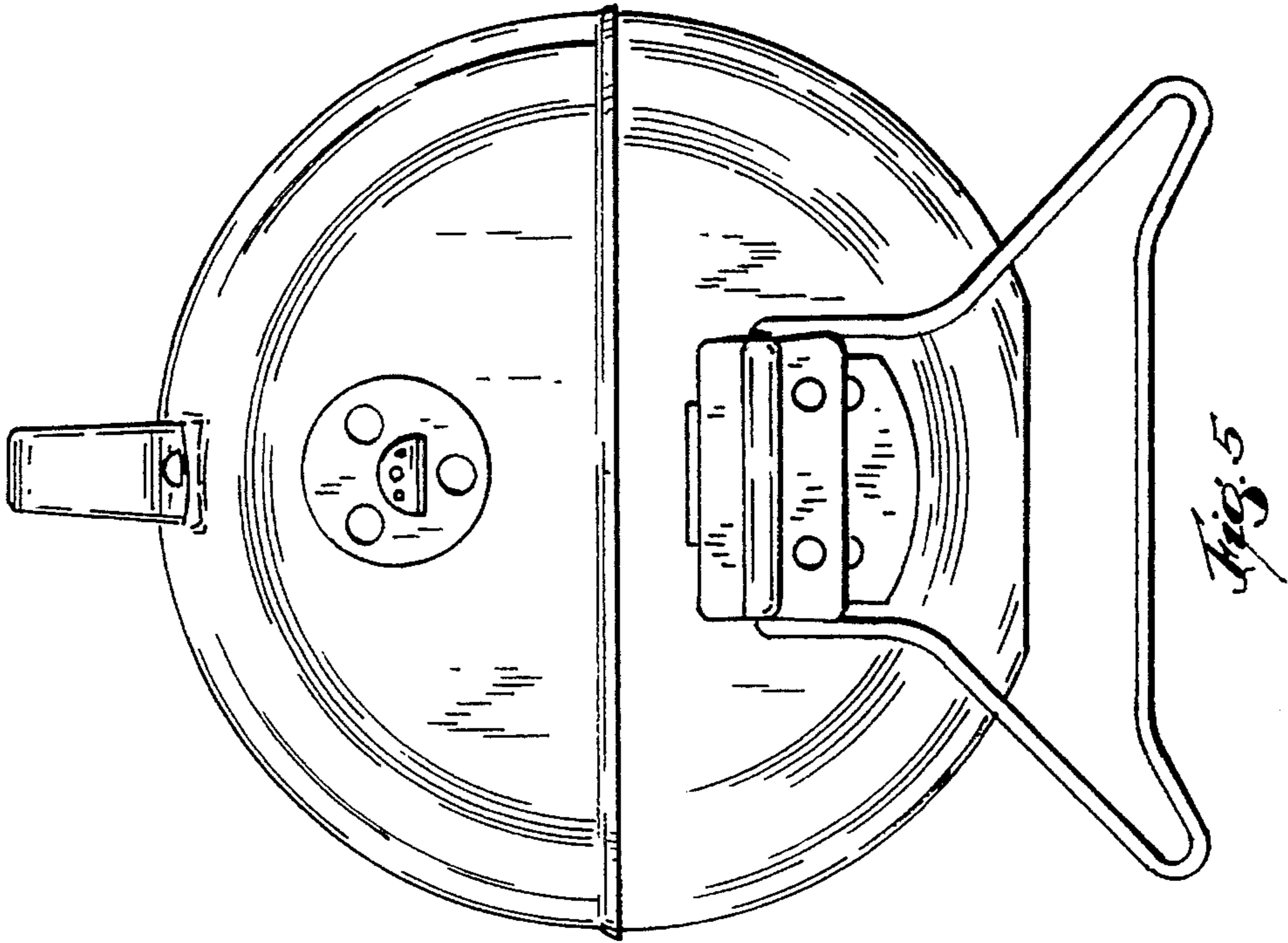


Fig. 5

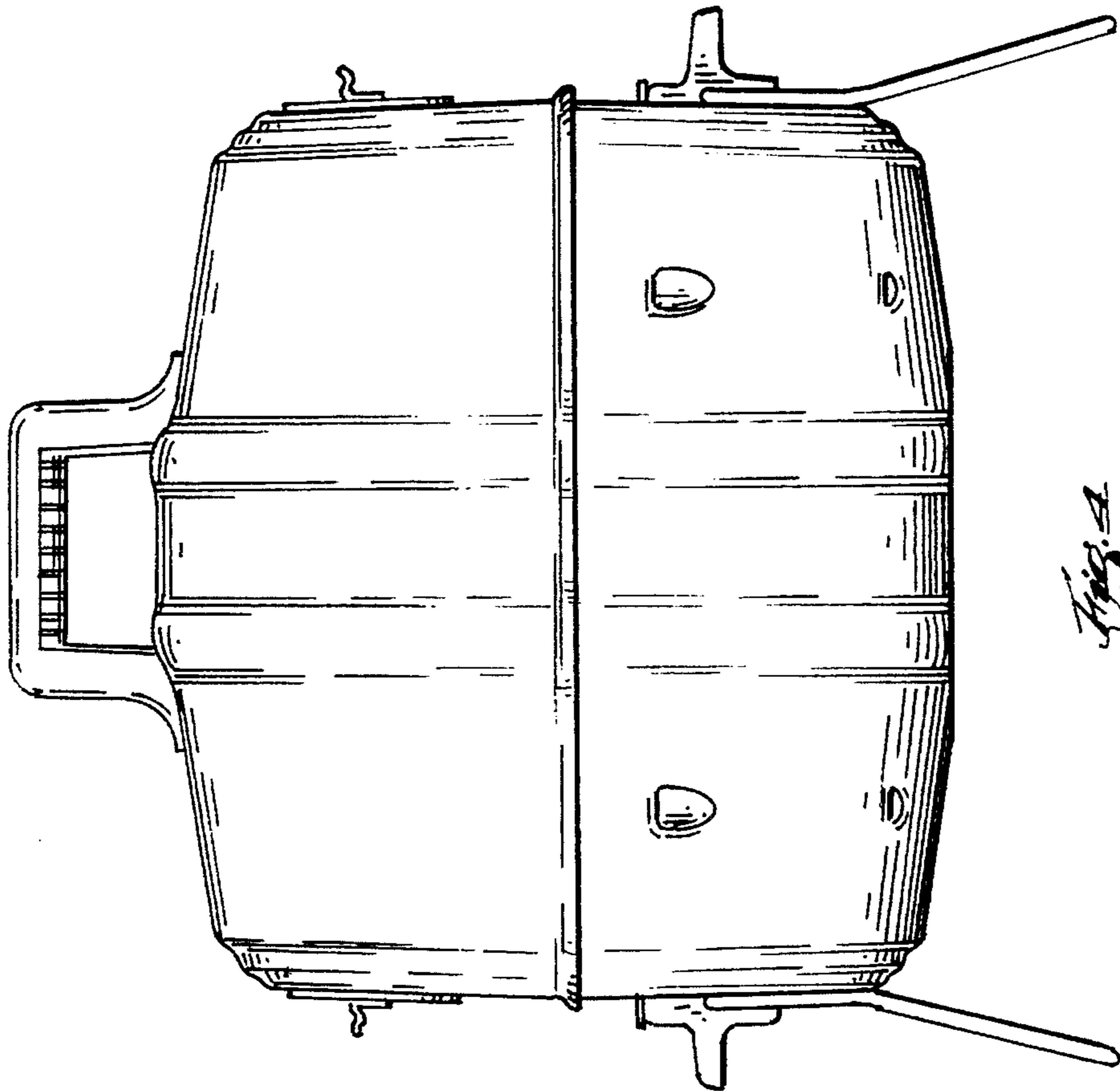


Fig. A

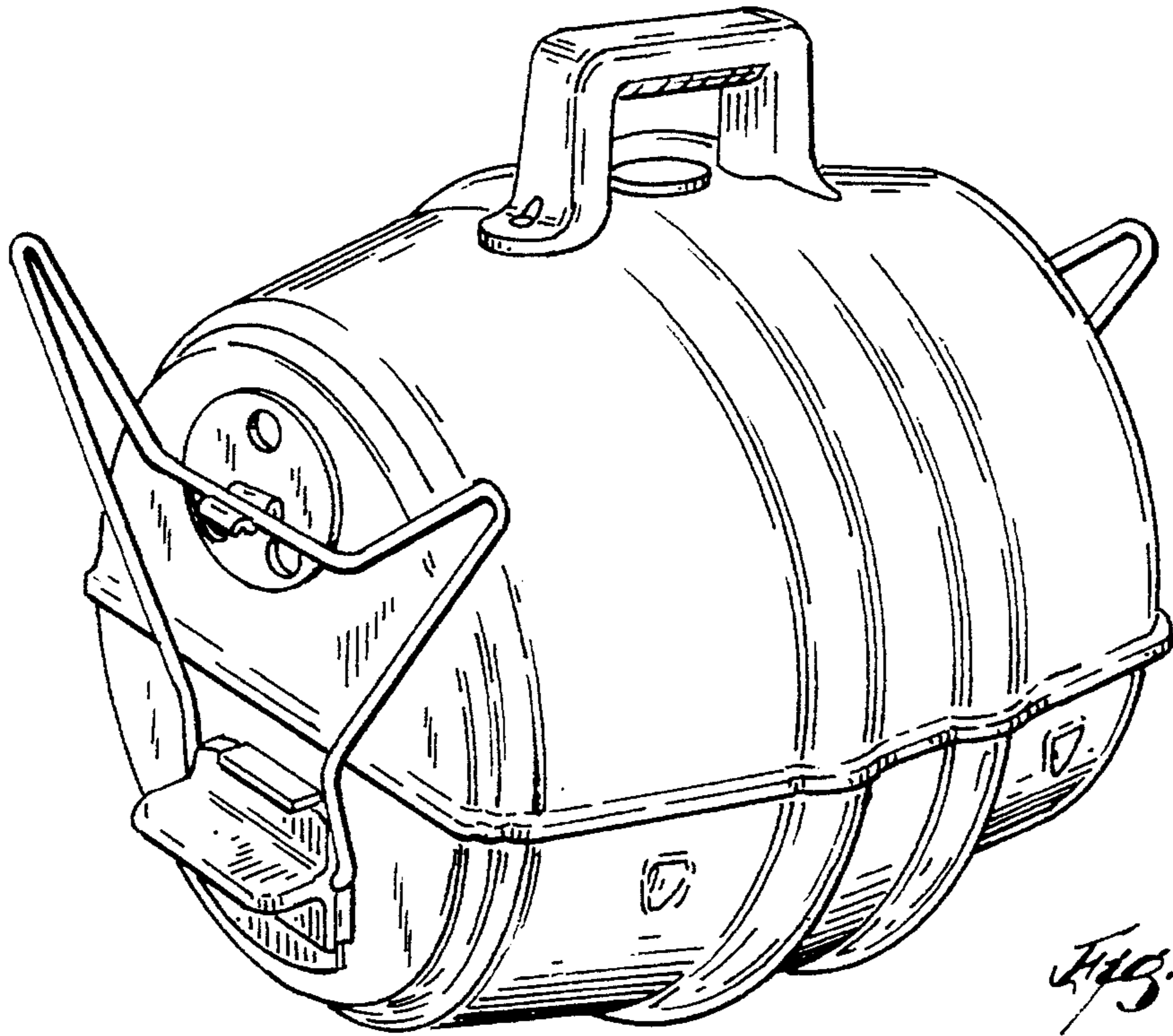


Fig. 7

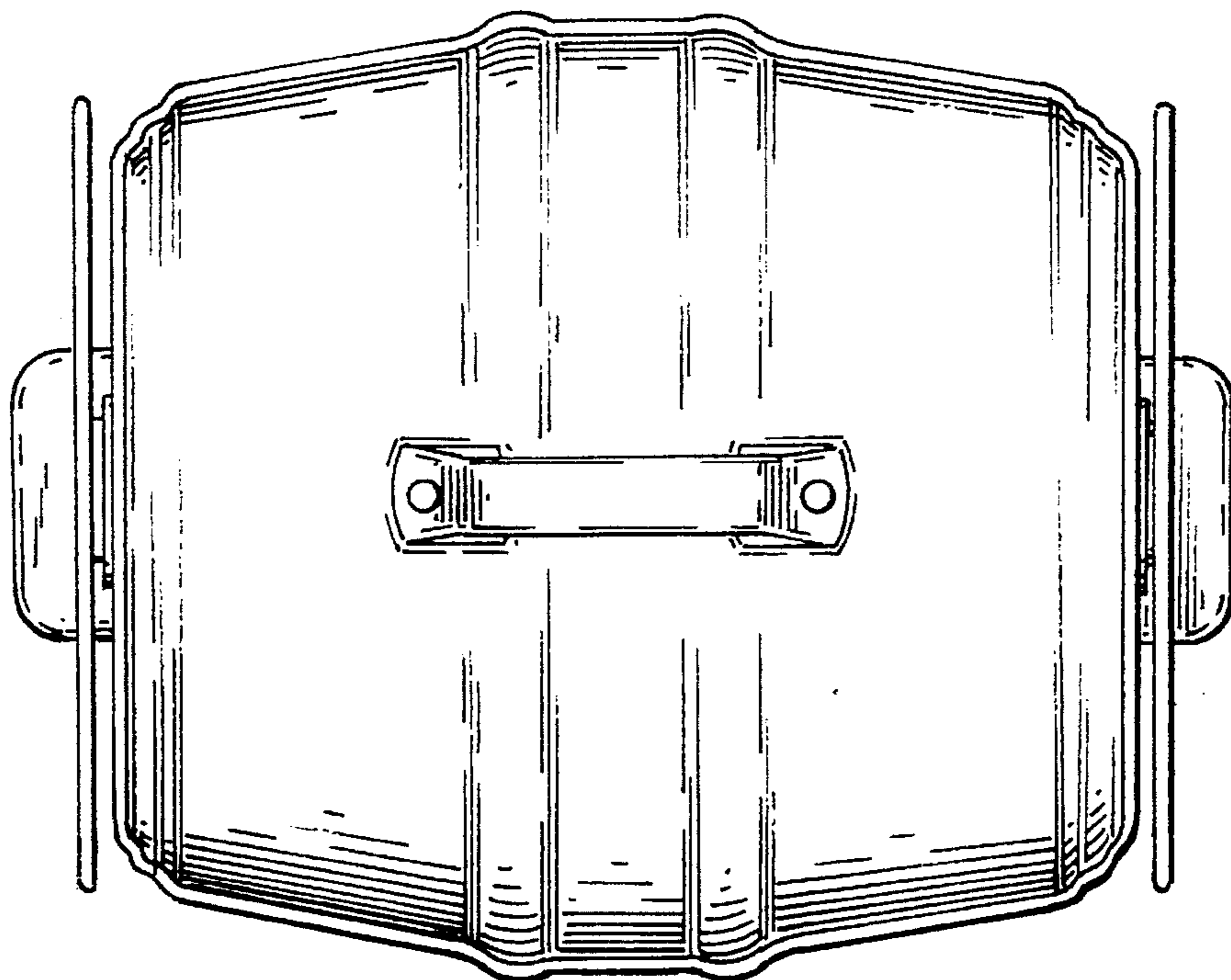


Fig. 8

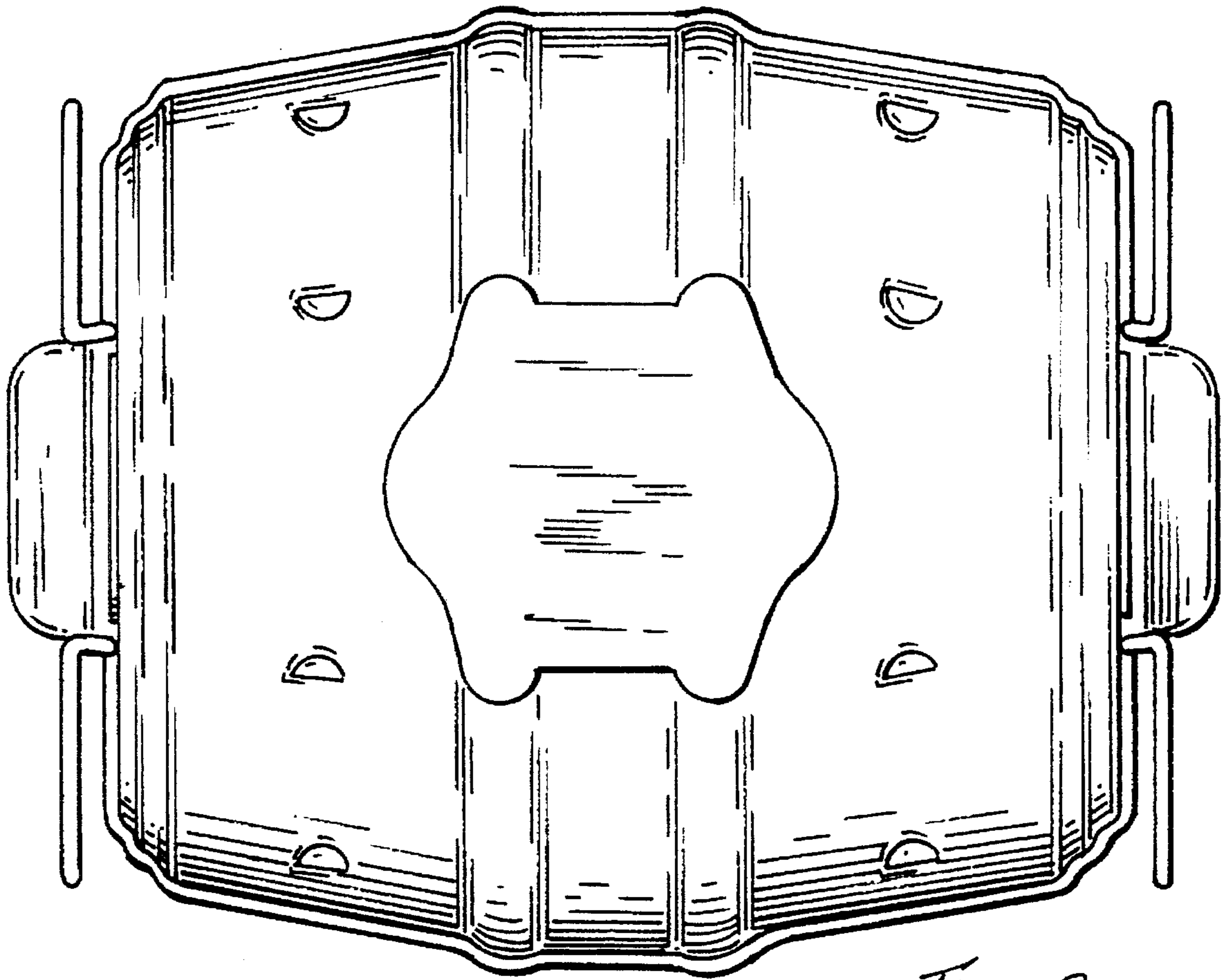


Fig. 9

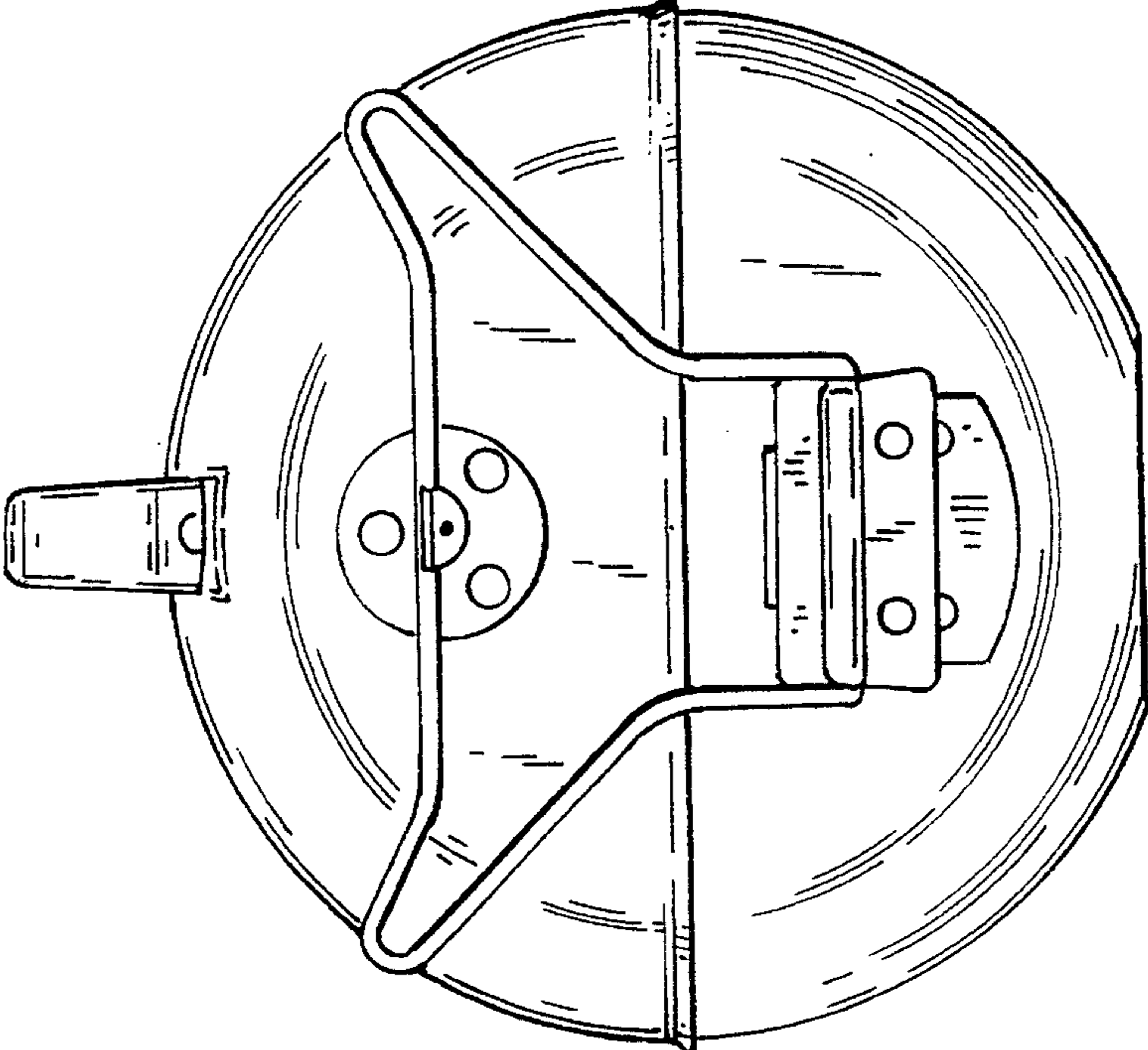


Fig. 11

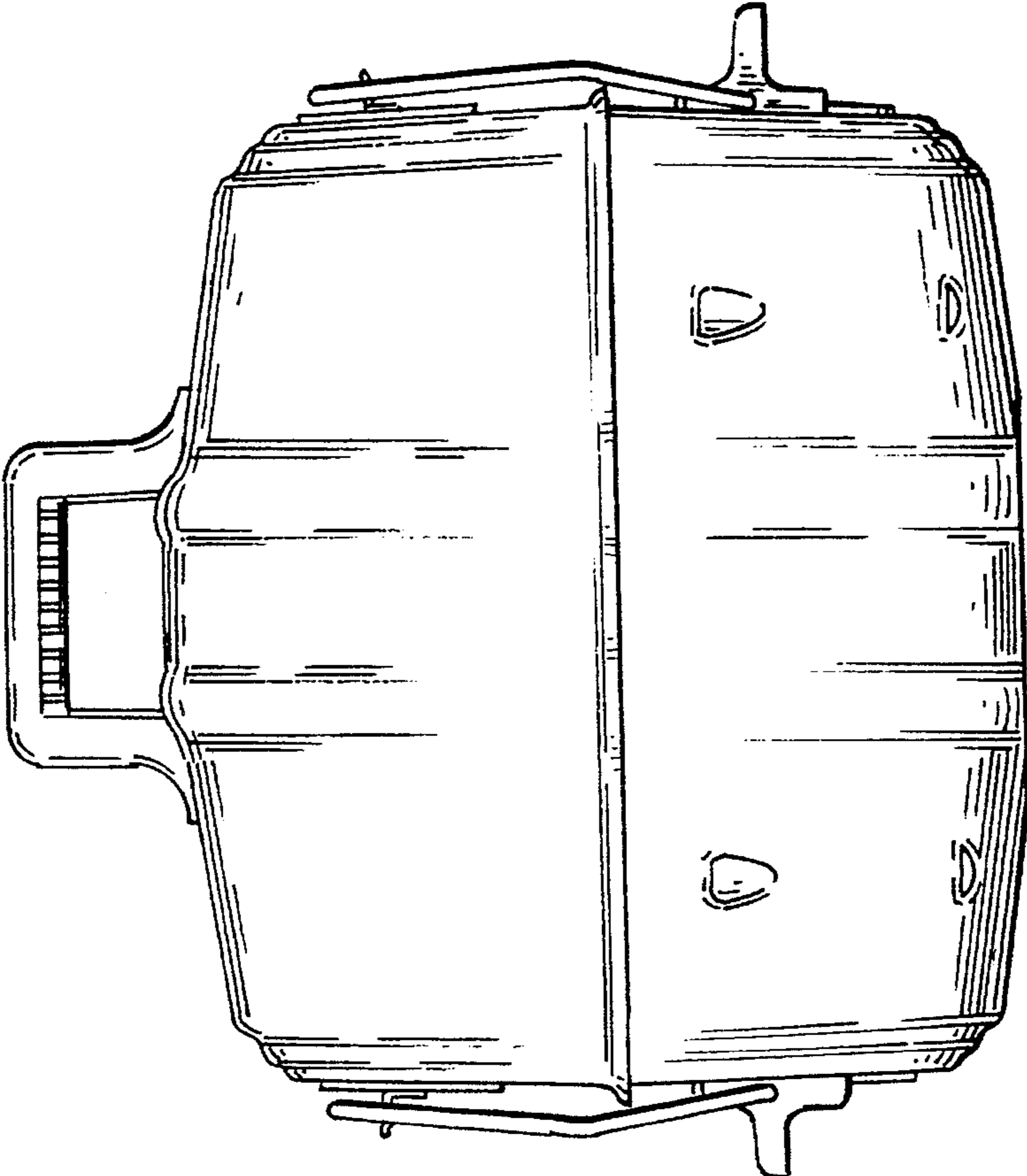


Fig. 10