



US00D370379S

United States Patent [19]

[11] Patent Number: **Des. 370,379**

Klein et al.

[45] Date of Patent: ****Jun. 4, 1996**

[54] **WATER BOTTLE DISPENSER**

[76] Inventors: **Daniel A. Klein**, 3705 Valley Ridge Rd., Middleton, Wis. 53562; **Benjamin A. Tessner**, 105 Riverwood Bend, DeForest, Wis. 53532

3,084,613 4/1963 Maxson .
 3,294,293 12/1966 Johns .
 4,236,655 12/1980 Humphries .
 4,298,038 11/1981 Jennings 141/2
 4,508,236 4/1985 Keilman et al. 215/308
 4,658,975 4/1987 Cone 215/100 A
 4,781,314 11/1988 Schoonover 222/465.1
 4,834,269 5/1989 Cone 222/465.1
 4,866,945 9/1989 Bender et al. 62/3.61

[**] Term: **14 Years**

[21] Appl. No.: **39,529**

Primary Examiner—M. N. Pandozzi
Attorney, Agent, or Firm—Nilles & Nilles

[22] Filed: **May 24, 1995**

[52] U.S. Cl. **D7/313; D7/306; D7/527**

[57] **CLAIM**

[58] **Field of Search** D7/300, 301, 305, D7/306, 307, 308, 313, 312; D9/527, 528; 222/185.1; 220/771; D23/202

The ornamental design for a water bottle dispenser, as shown and described.

[56] **References Cited**

DESCRIPTION

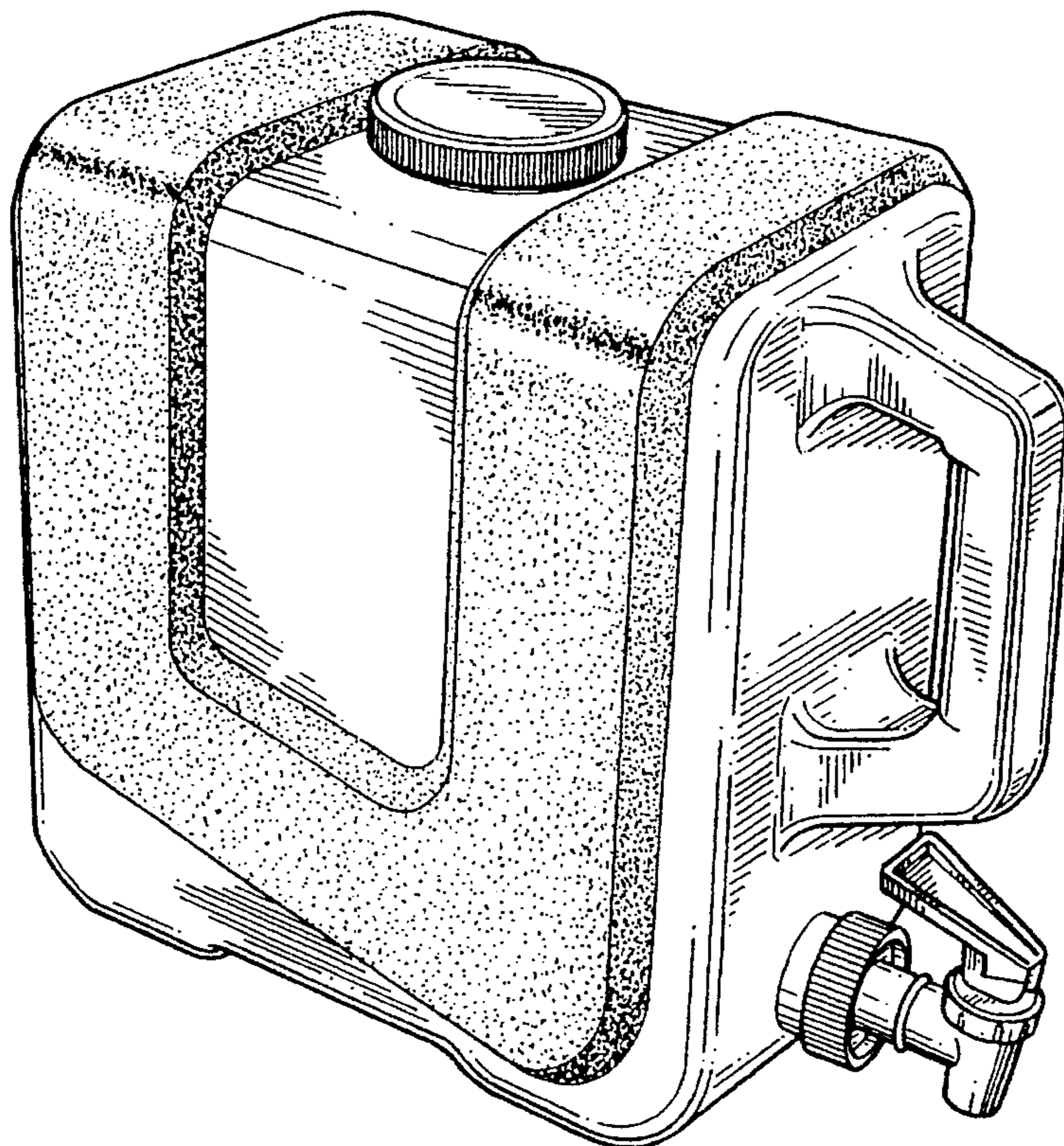
U.S. PATENT DOCUMENTS

D. 101,876	8/1936	Lalinsky .	
D. 224,639	8/1972	Schieser et al.	D9/175
D. 225,101	11/1972	Marchetti	D9/175
D. 303,355	9/1989	Fick	D9/376
D. 305,981	2/1990	Levee	D9/374
D. 310,170	8/1990	Bartz	D9/374
D. 324,495	3/1992	Warrington	D9/376
D. 337,234	7/1993	McGinnis	D7/306
D. 339,022	9/1993	McGinnis et al.	D7/306
D. 341,514	11/1993	McGinnis	D7/313
D. 349,417	8/1994	Malmborg et al.	D7/306
D. 354,414	1/1995	Westgerdes	D7/313
D. 358,548	5/1995	Platte	D7/313 X
2,274,409	2/1942	Harbison .	
2,751,757	6/1956	Hobbs et al. .	

FIG. 1 is a perspective view of a water bottle dispenser incorporating our new design and viewed from above, in front of, and to the left of the water bottle dispenser;
 FIG. 2 is a perspective view thereof and viewed from below, behind, and to the left of the water bottle dispenser;
 FIG. 3 is a top plan view thereof;
 FIG. 4 is a front elevation view thereof;
 FIG. 5 is a right side elevational view thereof;
 FIG. 6 is a rear elevation view thereof; and,
 FIG. 7 is a bottom plan view thereof.

The water bottle dispenser design has exterior dimpled or stippled surfaces in the areas indicated in the drawings. The drawings are not shaded for color.

1 Claim, 5 Drawing Sheets



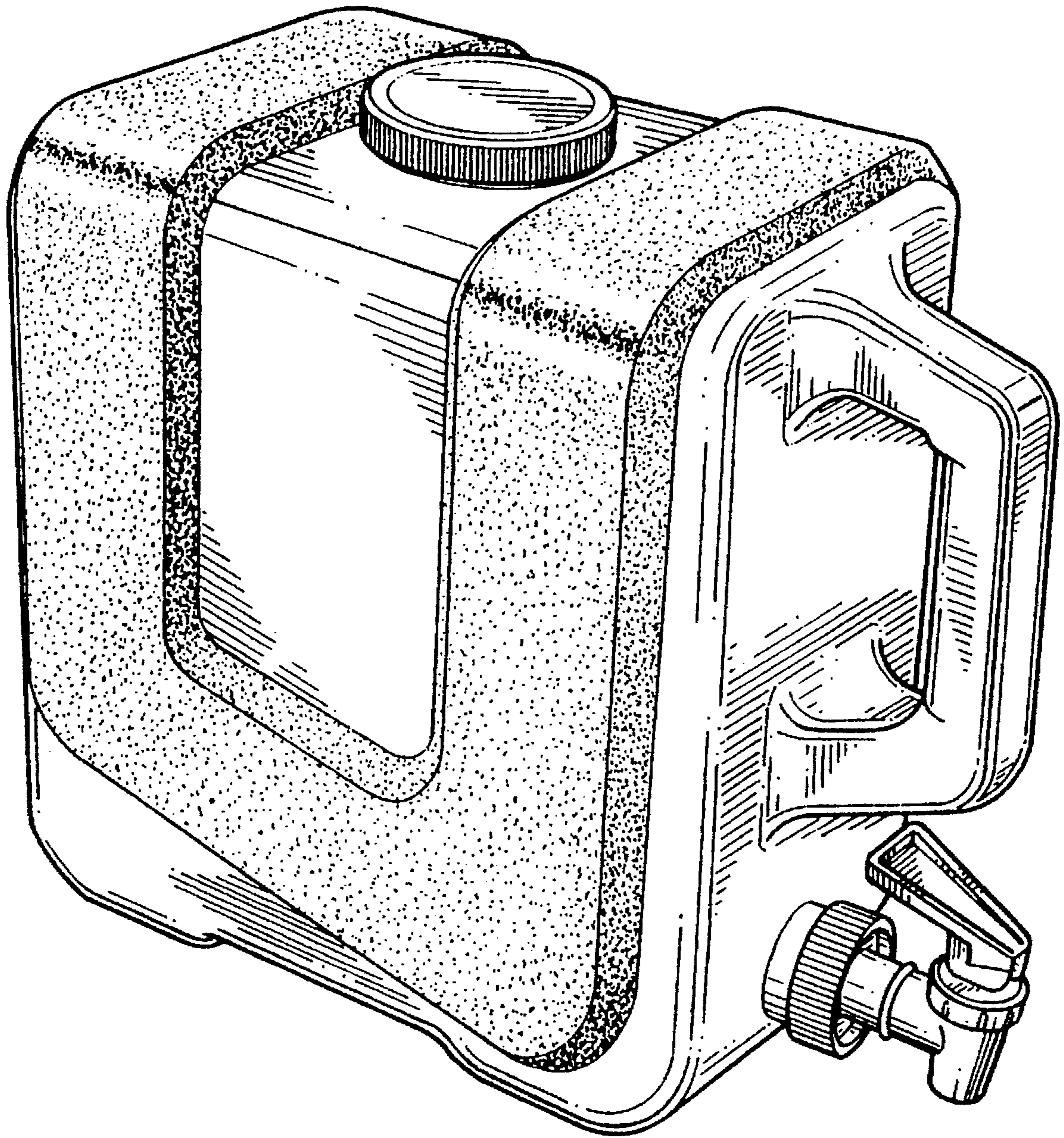


FIG. 1

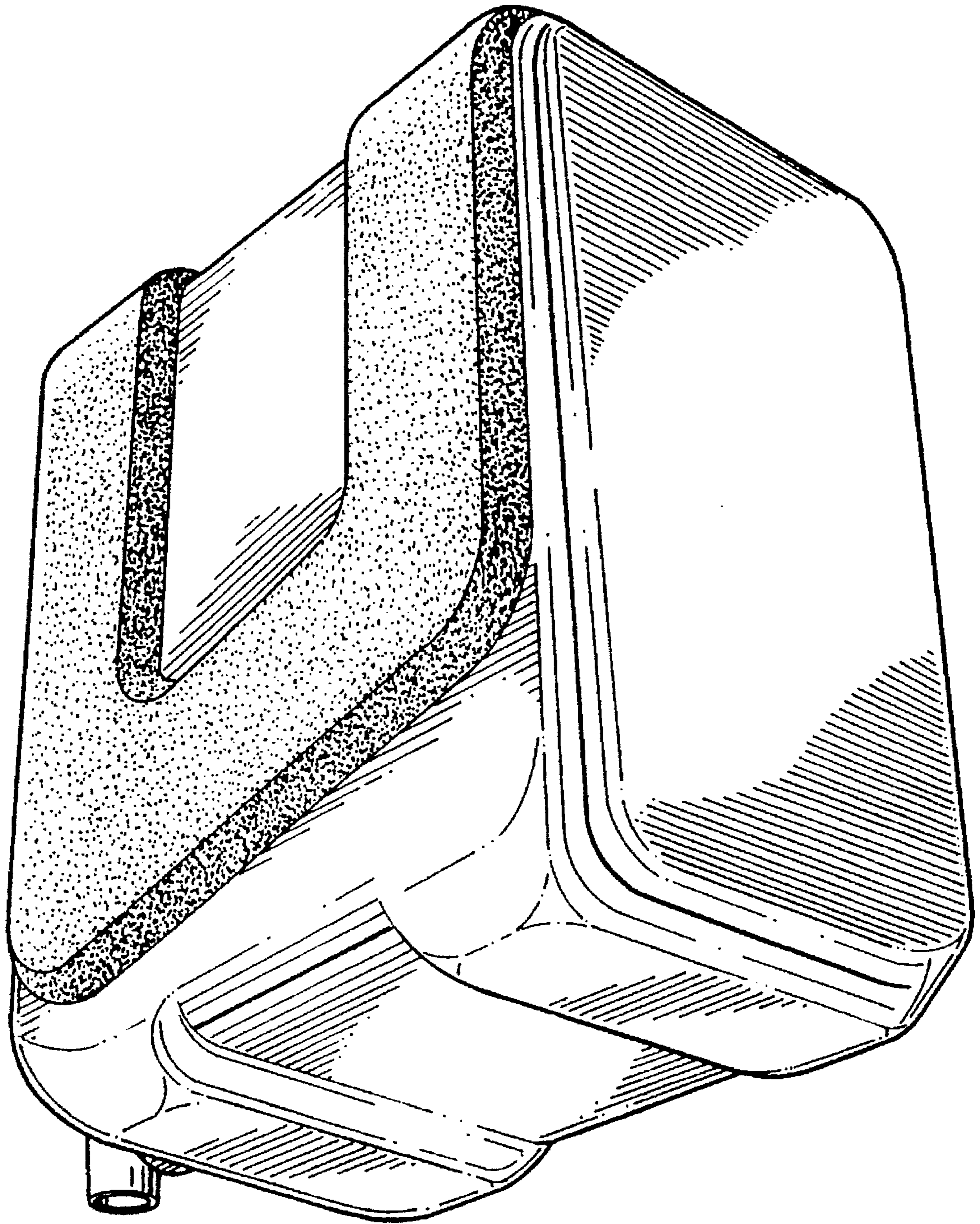


FIG. 2

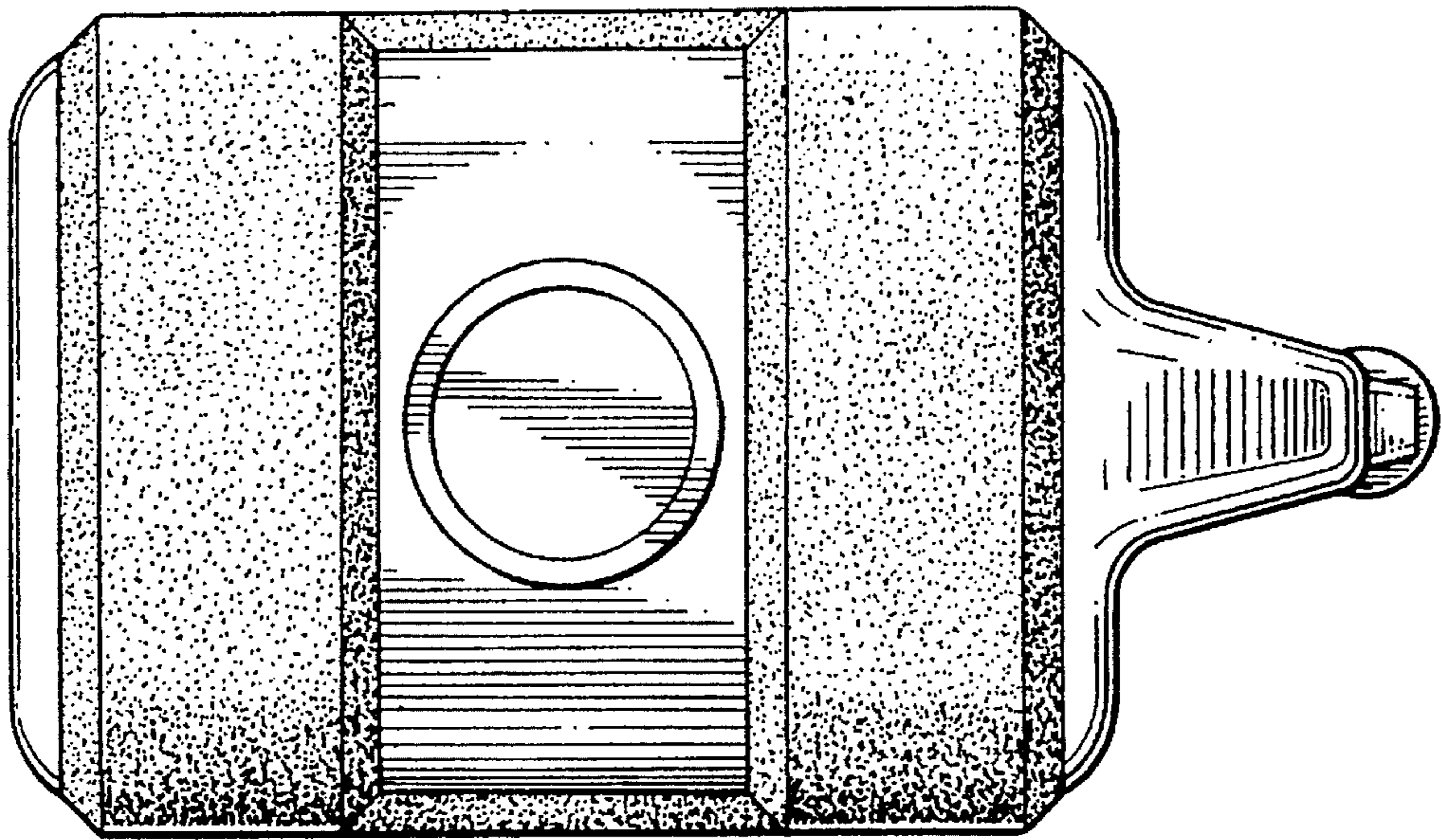


FIG. 3

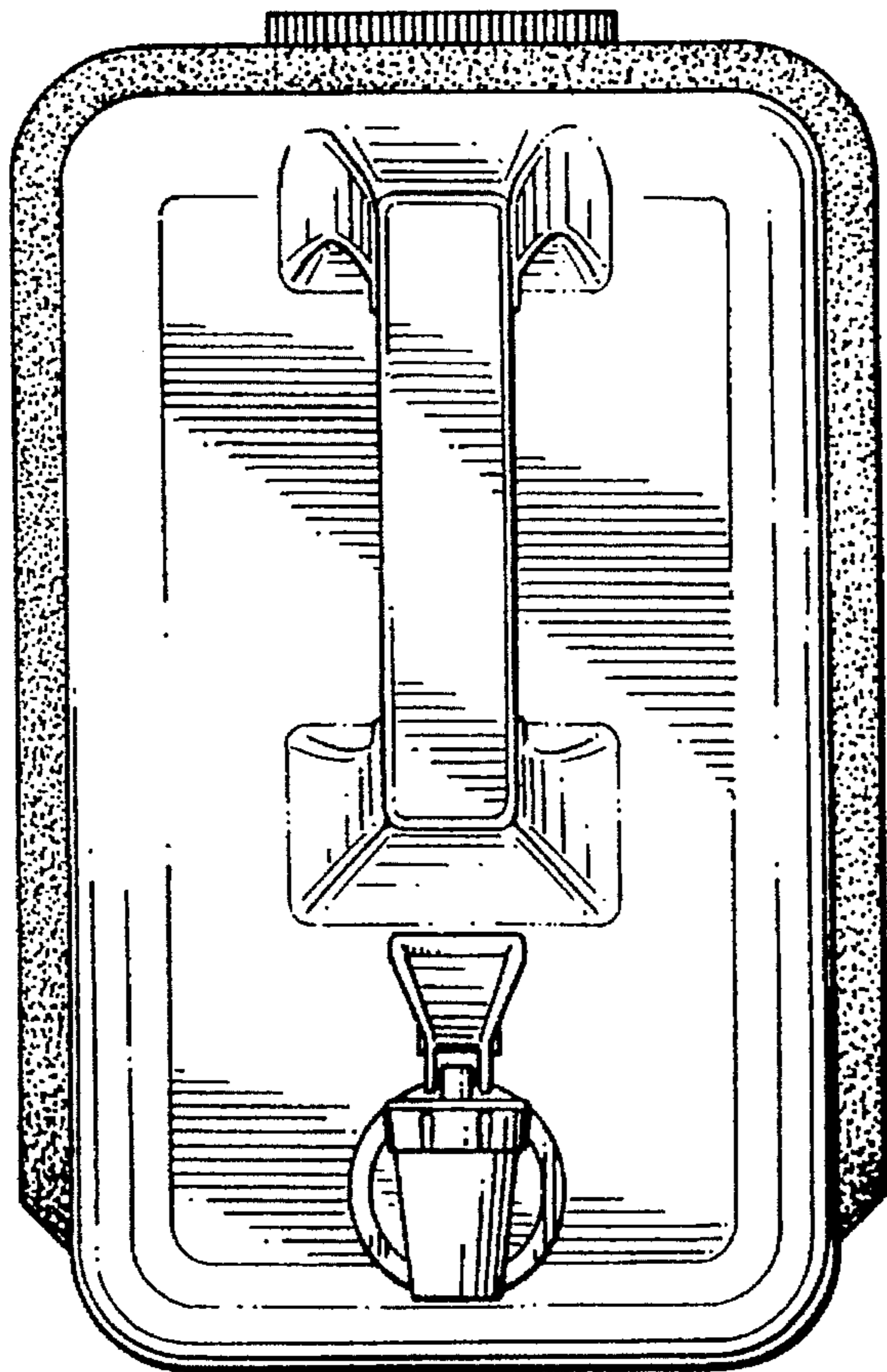


FIG. 4

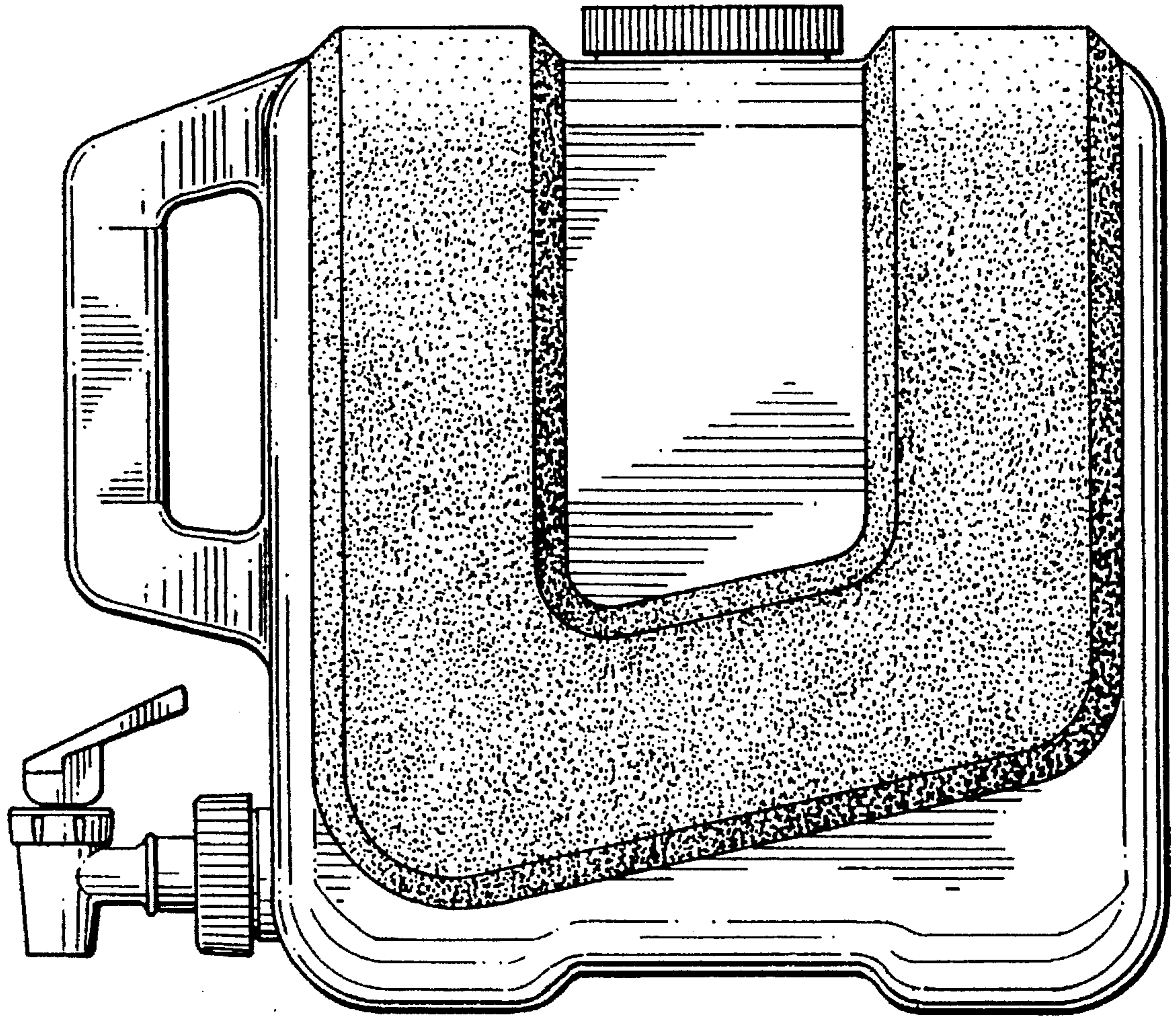


FIG. 5

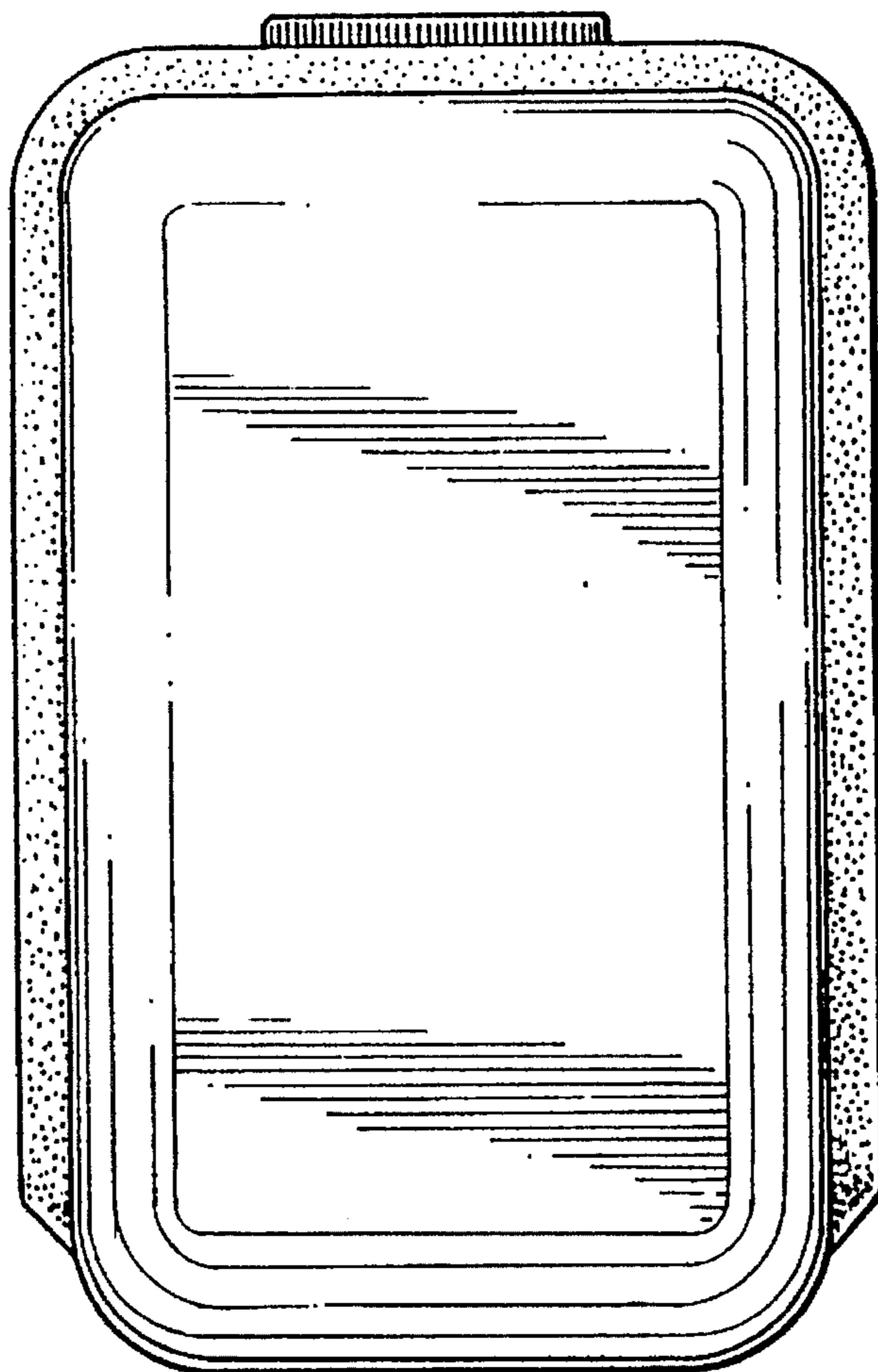


FIG. 6

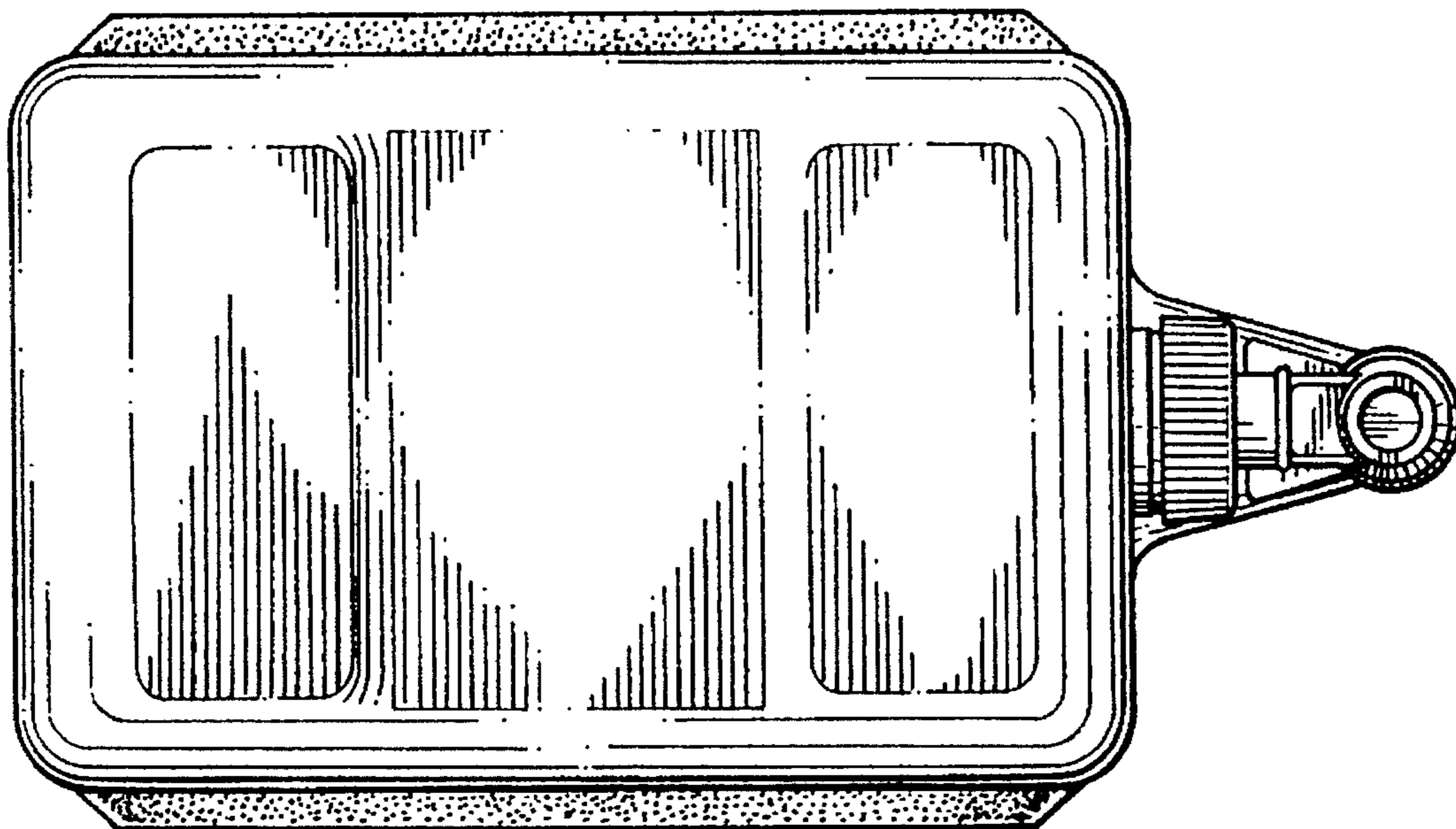


FIG. 7