



US00D370375S

United States Patent [19]

[11] Patent Number: **Des. 370,375**

Murgida et al.

[45] Date of Patent: ****Jun. 4, 1996**

[54] **RAZOR HOLDER**

[75] Inventors: **Matthew F. Murgida**, Somerville; **Jill M. Shurtleff**, South Boston, both of Mass.

[73] Assignee: **The Gillette Company**, Boston, Mass.

[**] Term: **14 Years**

[21] Appl. No.: **35,785**

[22] Filed: **Mar. 7, 1995**

[52] U.S. Cl. **D6/526**

[58] Field of Search D6/526, 512, 553, D6/567; 248/309.1, 314, 317; 206/351

[56] **References Cited**

U.S. PATENT DOCUMENTS

D. 90,931	10/1933	Wanders	D28/73
D. 145,084	6/1946	Hutt et al.	D4/3
D. 150,507	8/1948	McEntire	D4/3
D. 181,876	1/1958	Nolan et al.	D4/3
D. 237,666	11/1975	Iten	D6/6
D. 238,529	1/1976	Muller	D6/6
D. 240,691	7/1976	Granatelli	D6/88
D. 251,970	5/1979	Fujita	D6/526 X
D. 283,076	3/1986	States, Jr.	D2/400
D. 294,903	3/1988	Pokorny	D6/526
D. 316,646	5/1991	Cunningham	D6/525
D. 333,583	3/1993	Hurd	D6/526
D. 335,413	5/1993	Lizanetz et al.	D6/526
D. 348,581	7/1994	Starr, IV	D6/553 X

2,181,065	11/1939	Pfeiffer et al.	206/16
2,471,825	5/1949	Mlong	248/314
2,474,899	7/1949	Hutt	248/314
2,845,245	7/1958	Gray et al.	248/314
2,883,062	4/1959	Rosemark	211/60
4,773,158	9/1988	Kertzman	30/90

OTHER PUBLICATIONS

Photos of Holder For Gillette Sensor For Woman Razor—Date Prior to Filing Date.

Primary Examiner—Brian N. Vinson
Attorney, Agent, or Firm—Owen J. Meegan; Aubrey C. Brine; Donal B. Tobin

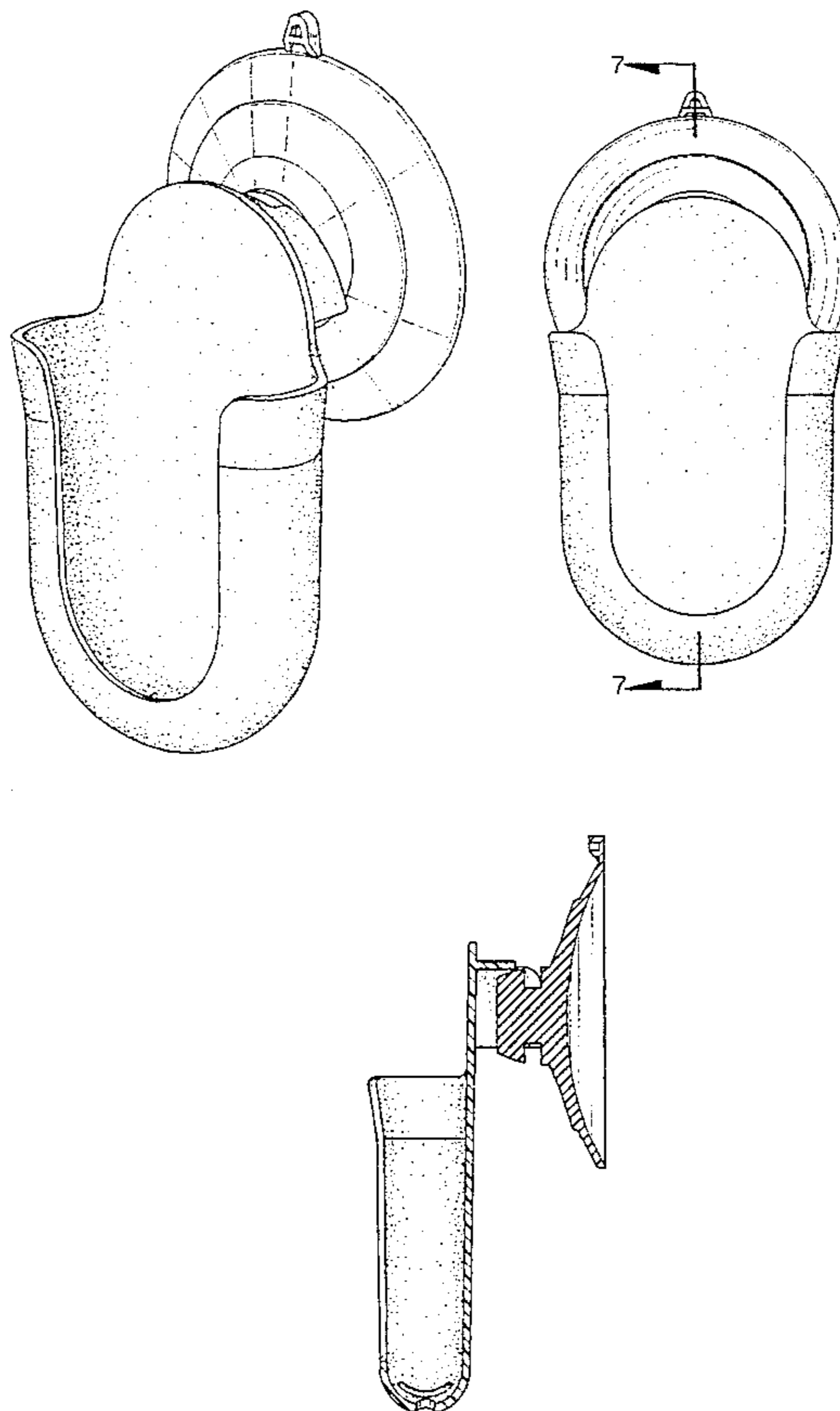
[57] **CLAIM**

The ornamental design for a razor holder, as shown and described.

DESCRIPTION

FIG. 1 is a front elevational perspective view of a razor holder showing our new design; FIG. 2 is a top plan view thereof; FIG. 3 is a front elevational view thereof; FIG. 4 is a bottom plan view thereof; FIG. 5 is a left side elevational view thereof, the right side being a mirror image thereof; FIG. 6 is a rear elevational view thereof; and, FIG. 7 is an elevational sectional view taken on the line 7—7 of FIG. 3.

1 Claim, 4 Drawing Sheets



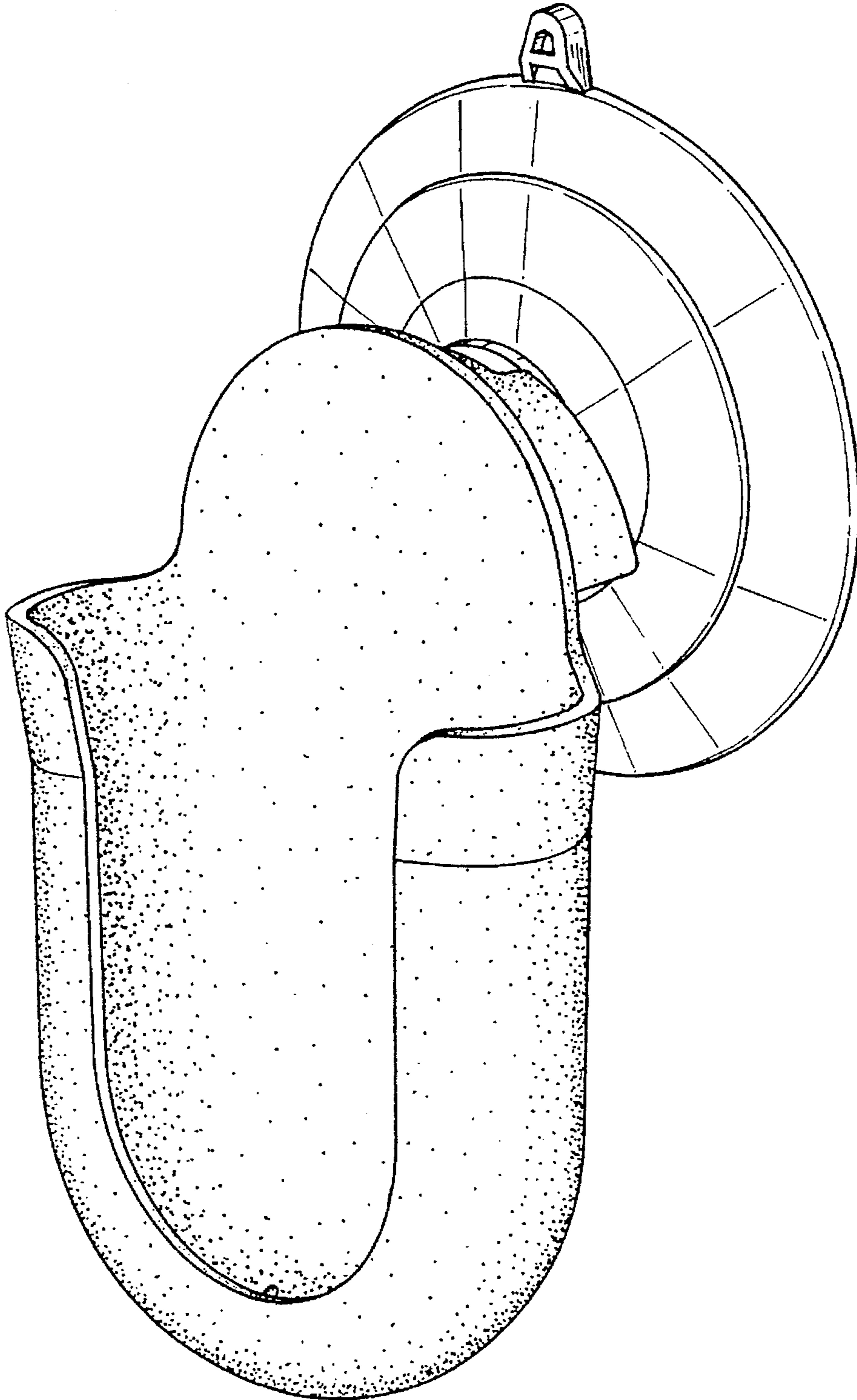


FIG. 1

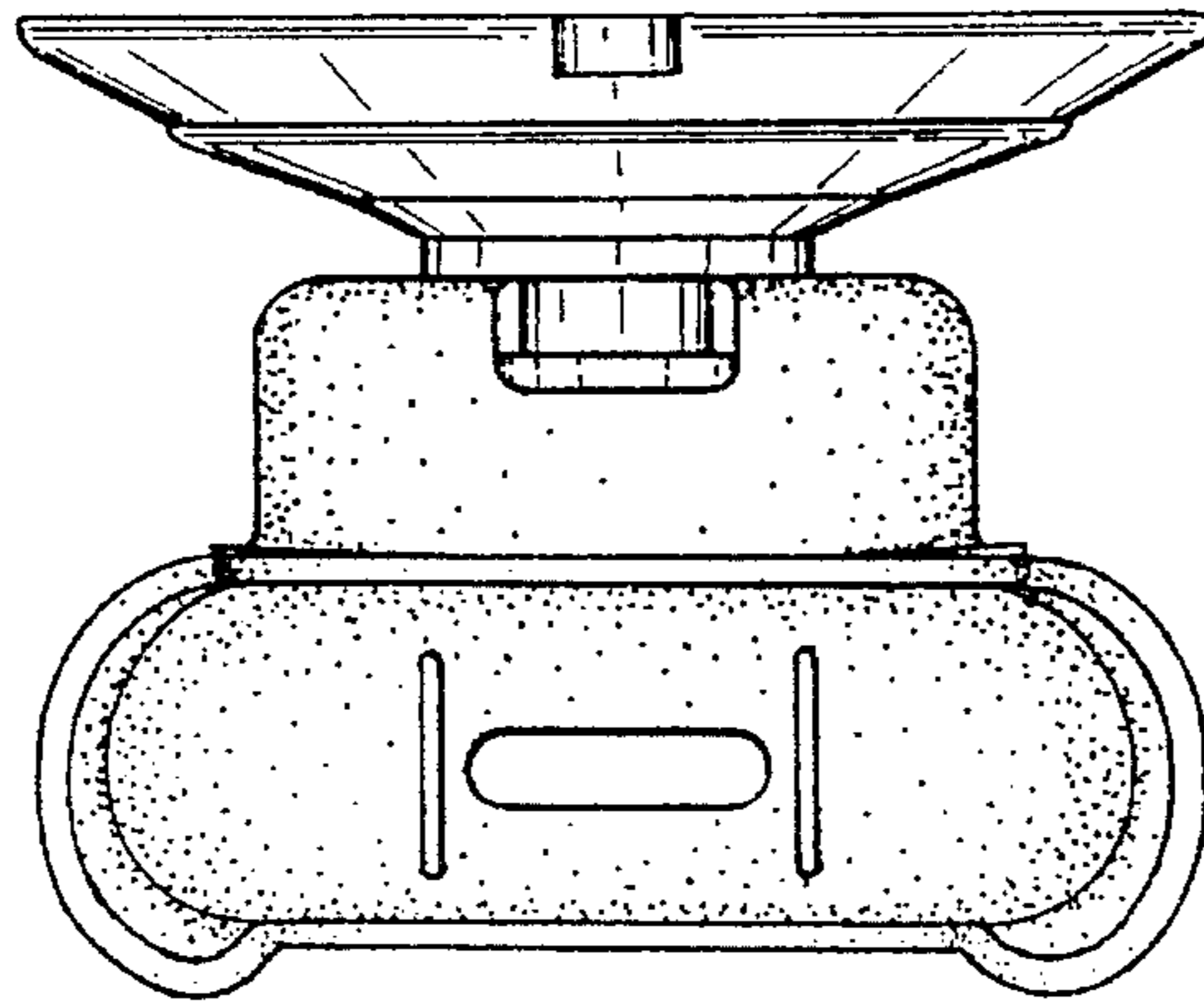


FIG. 2

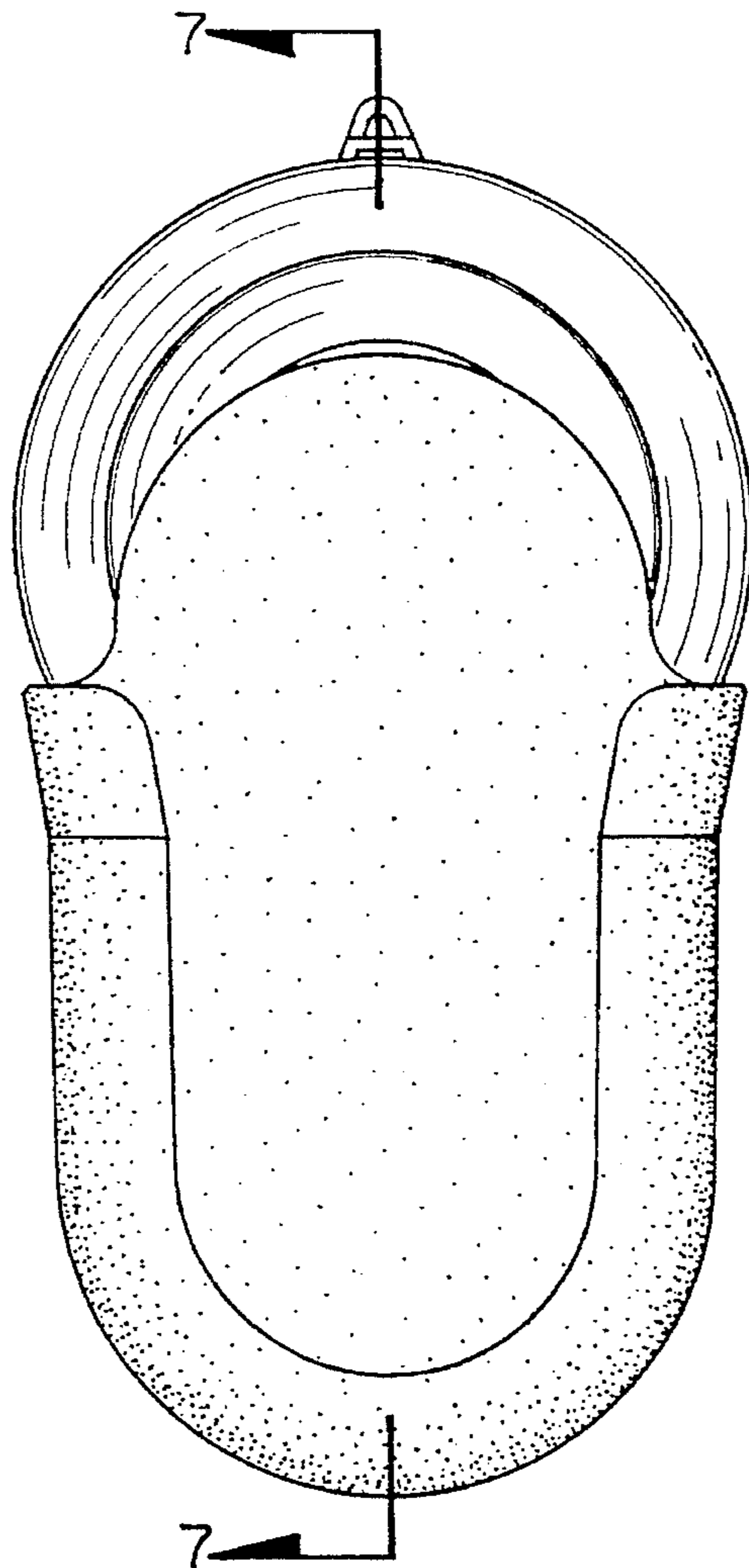


FIG. 3

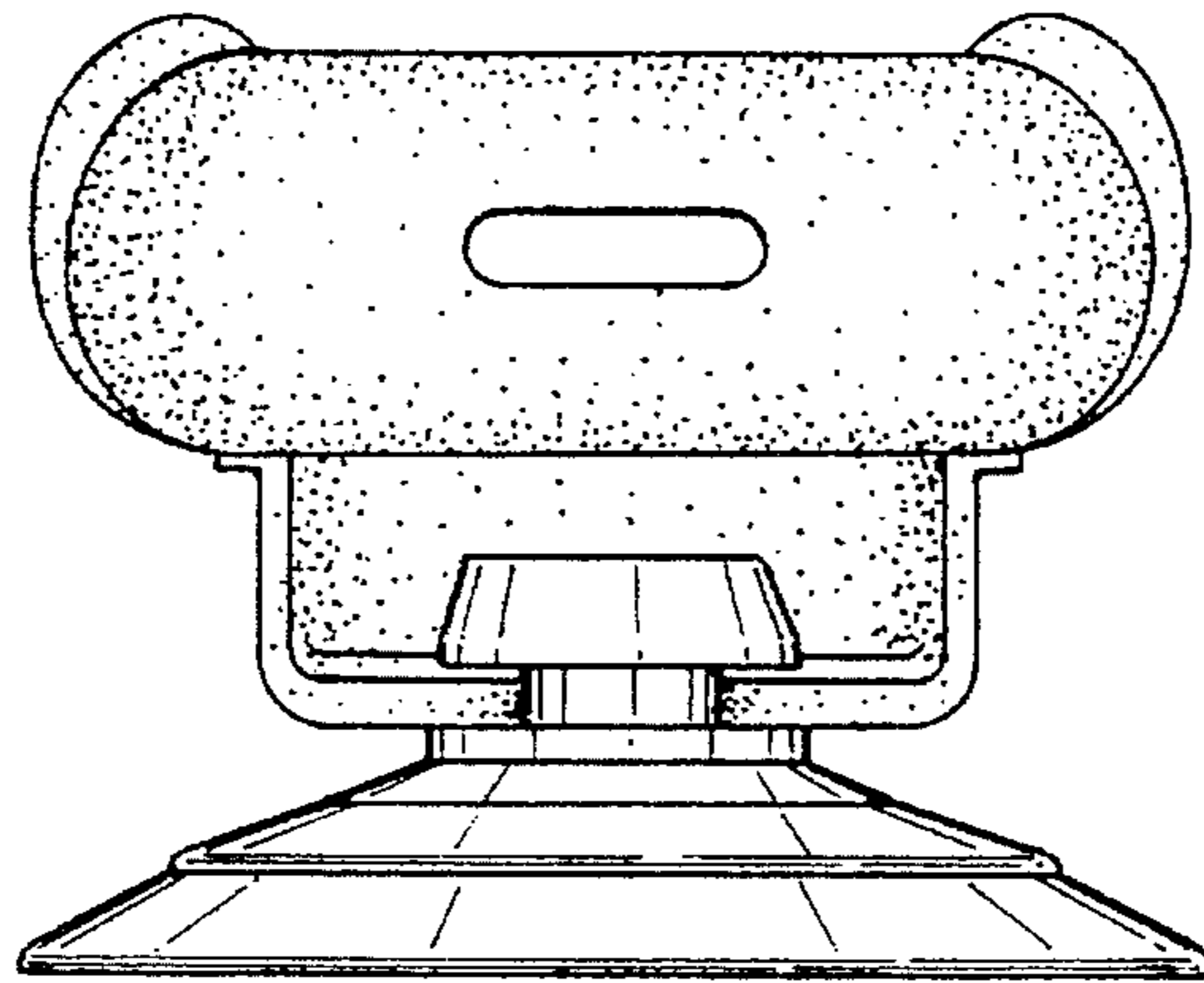


FIG. 4

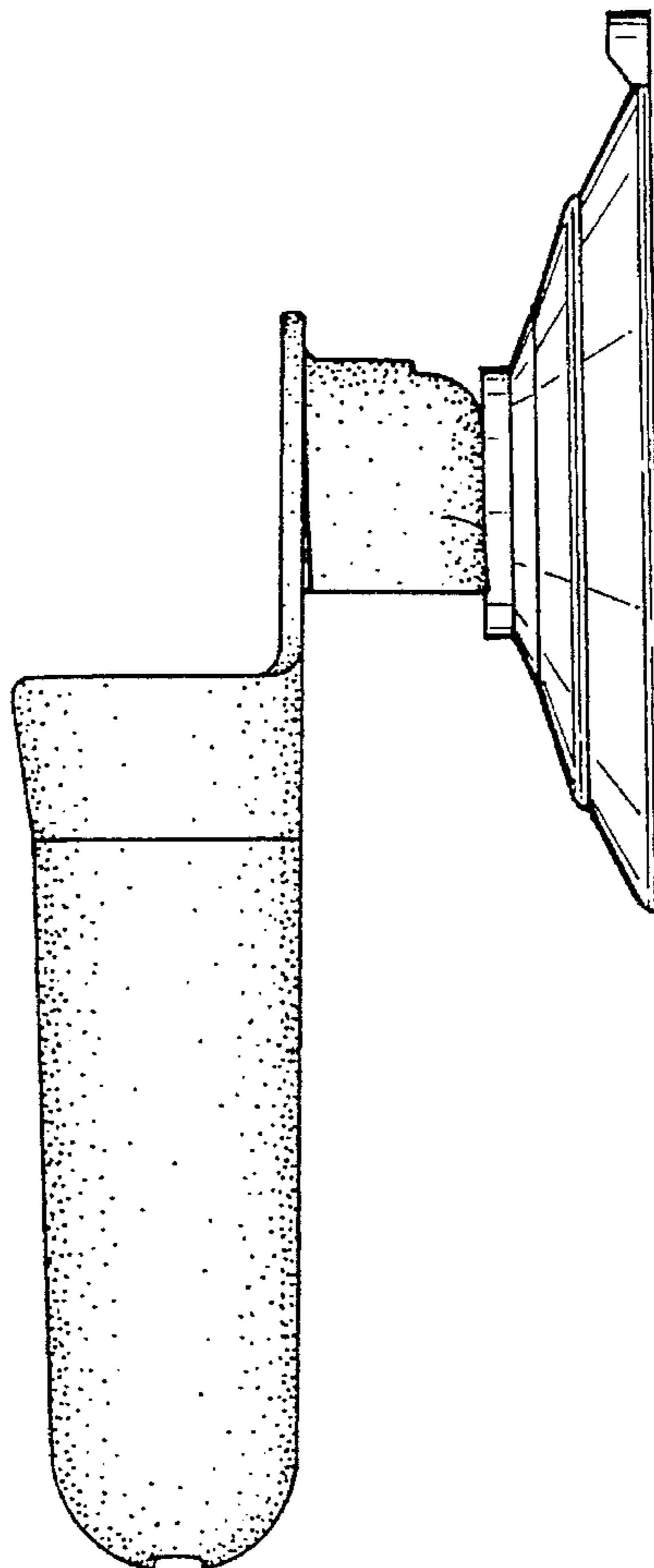


FIG. 5

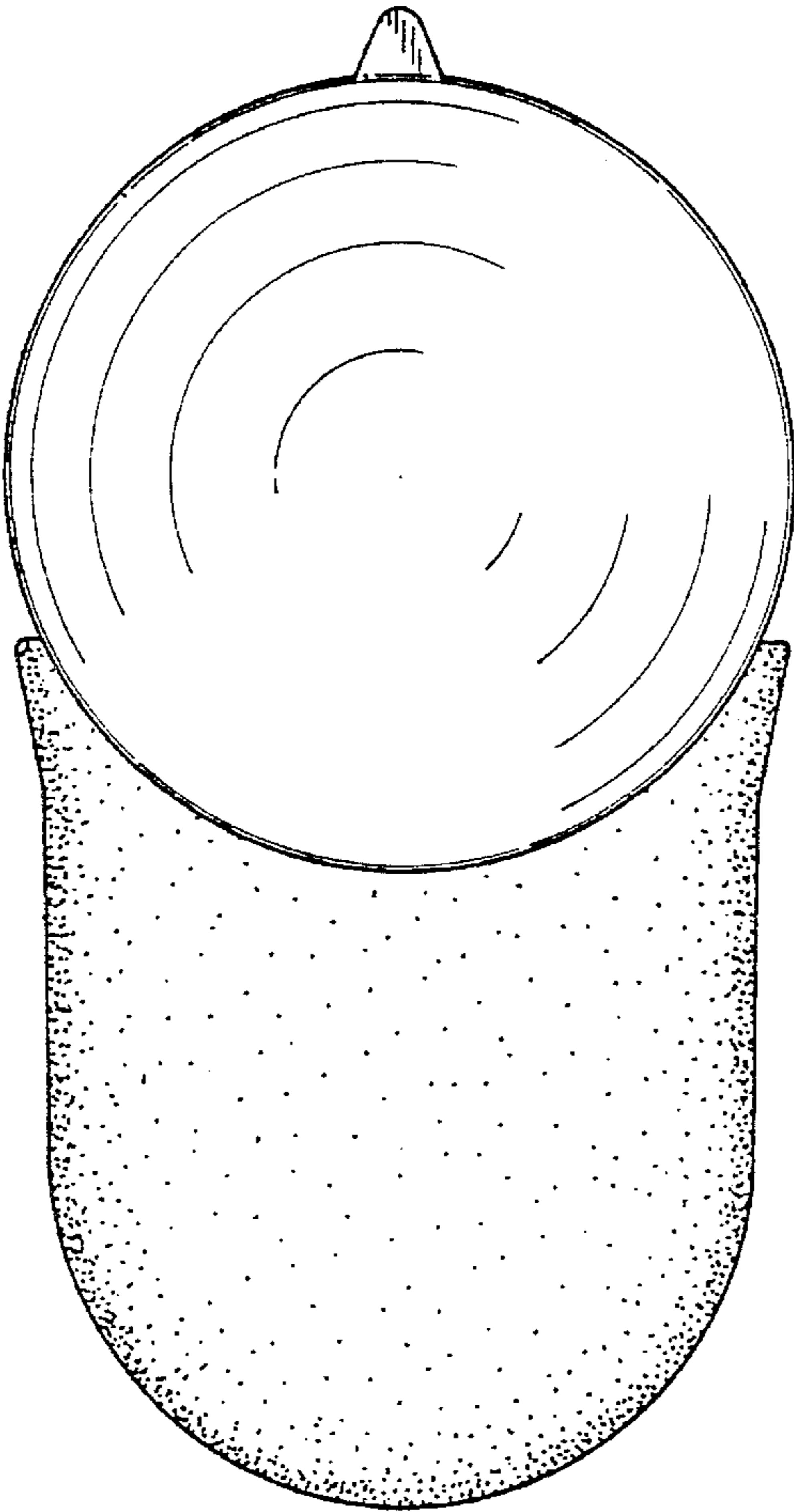


FIG. 6

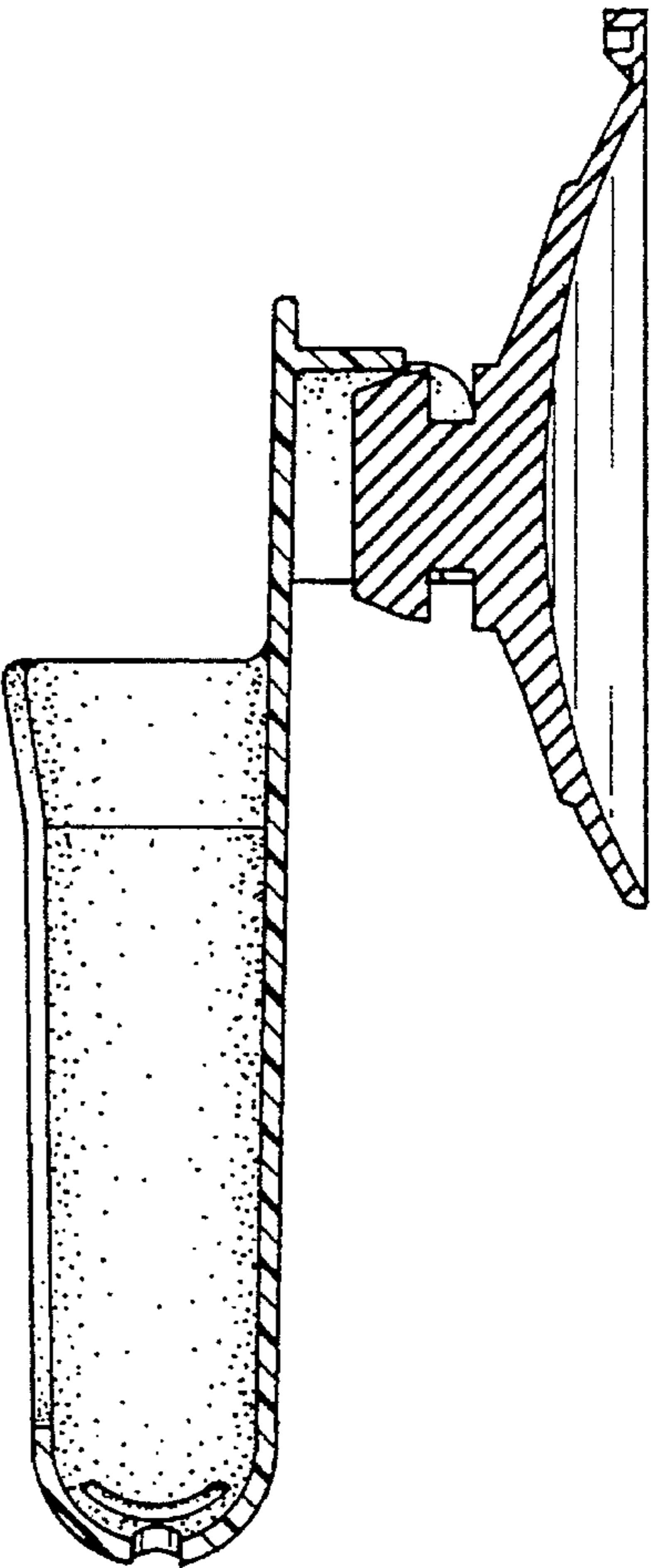


FIG. 7