



US00D370370S

United States Patent [19]
Brown

[11] **Patent Number: Des. 370,370**

[45] **Date of Patent: **Jun. 4, 1996**

[54] **CRUTCH RACK**

[76] Inventor: **Malcolm S. Brown**, 1511 Madison Ave., Shreveport, La. 71103

[**] Term: **14 Years**

[21] Appl. No.: **35,183**

[22] Filed: **Feb. 22, 1995**

[52] U.S. Cl. **D6/466**

[58] **Field of Search** D6/466, 467, 468, D6/469, 470, 567; D3/8, 203; 248/129; 211/13, 45, 46, 62, 64, 70.5

[56] **References Cited**

U.S. PATENT DOCUMENTS

D. 339,678	9/1993	Seamans	D6/567 X
843,220	2/1907	Losee	211/46
4,531,644	7/1985	Margulies	211/70.5
5,285,906	2/1994	Wisnowski et al.	211/62 X

Primary Examiner—Alan P. Douglas
Assistant Examiner—S. Snapp
Attorney, Agent, or Firm—John M. Harrison

[57] **CLAIM**

The ornamental design for a crutch rack, as shown and described.

DESCRIPTION

FIG. 1 is a perspective view of the crutch rack, showing my new design;

FIG. 2 is a top elevation of the crutch rack display;

FIG. 3 is a bottom elevation thereof;

FIG. 4 is a left and right side elevation thereof; and,

FIG. 5 is a front elevation of the crutch rack illustrated in FIG. 1-4.

The elements in FIGS. 4 and 5 are broken away for convenience of illustration.

1 Claim, 1 Drawing Sheet

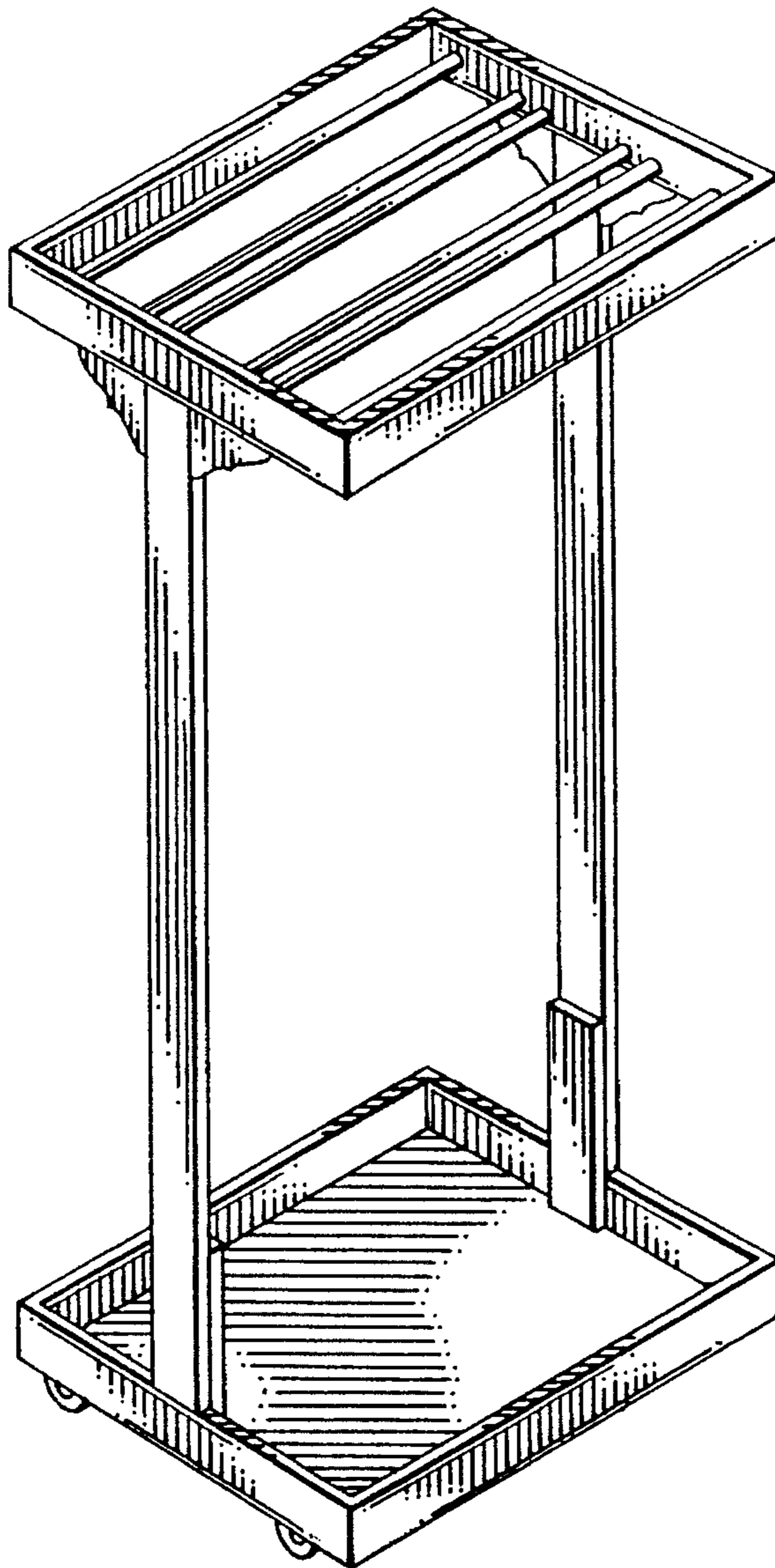


FIG. 1

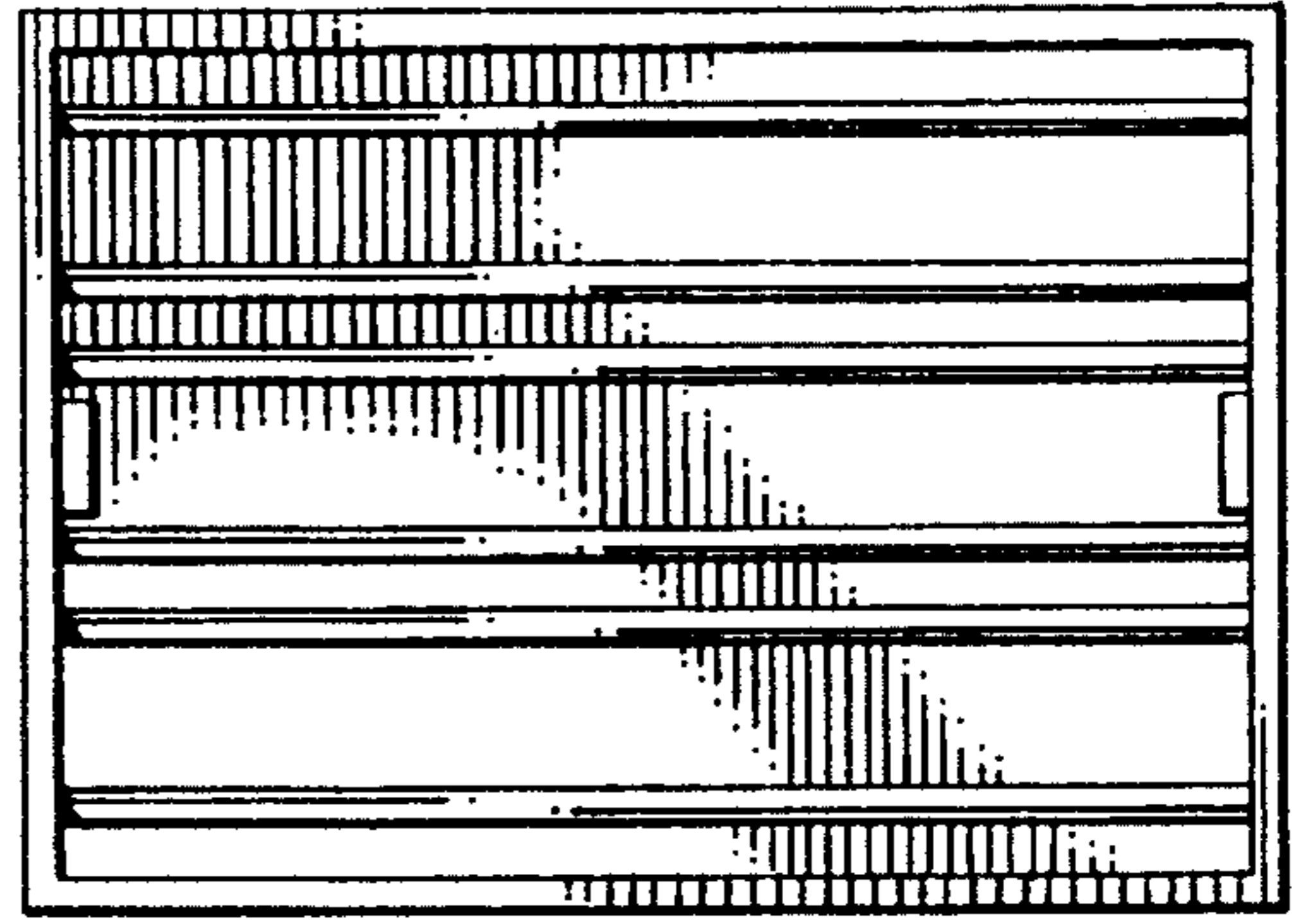
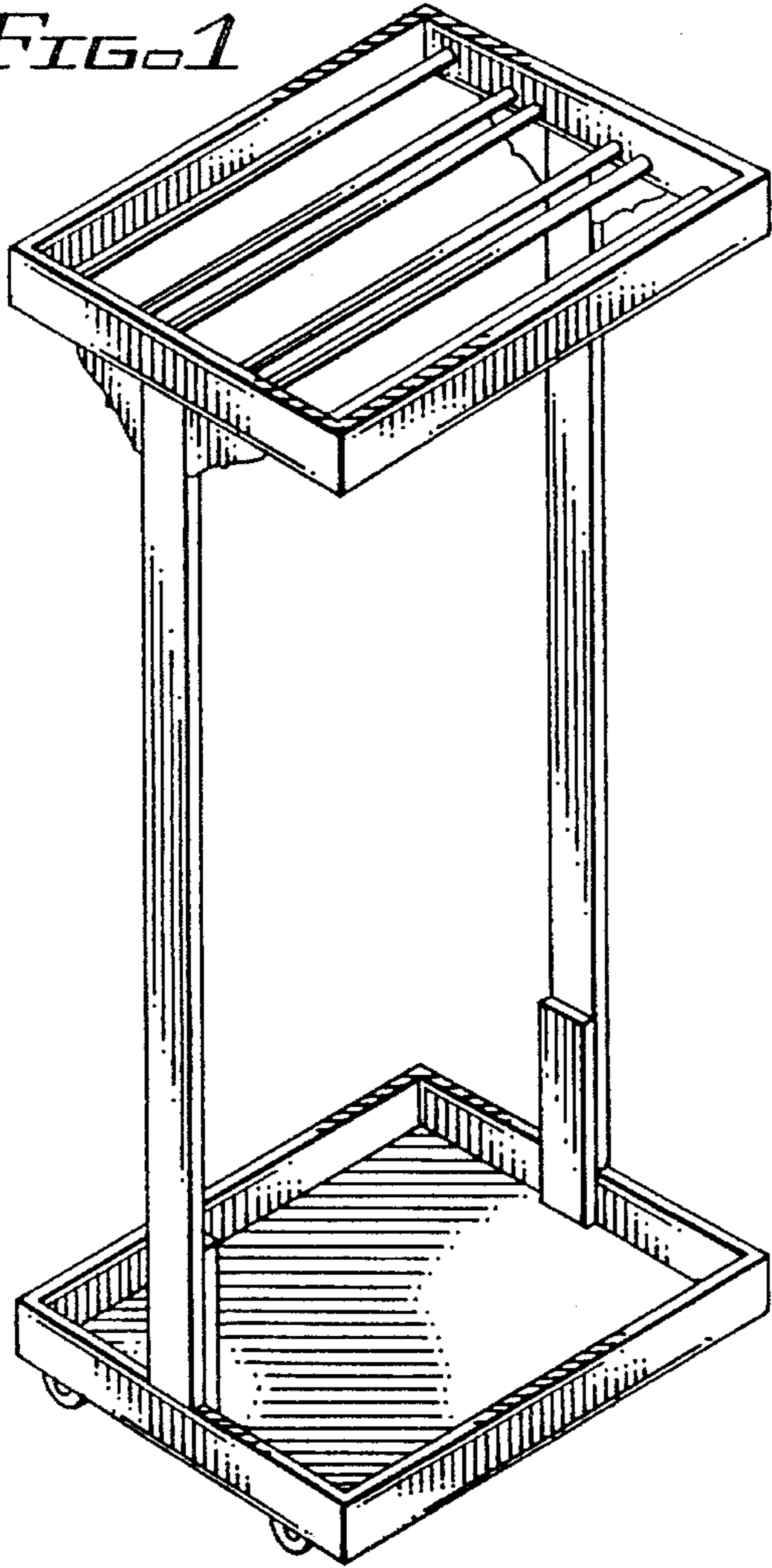


FIG. 2

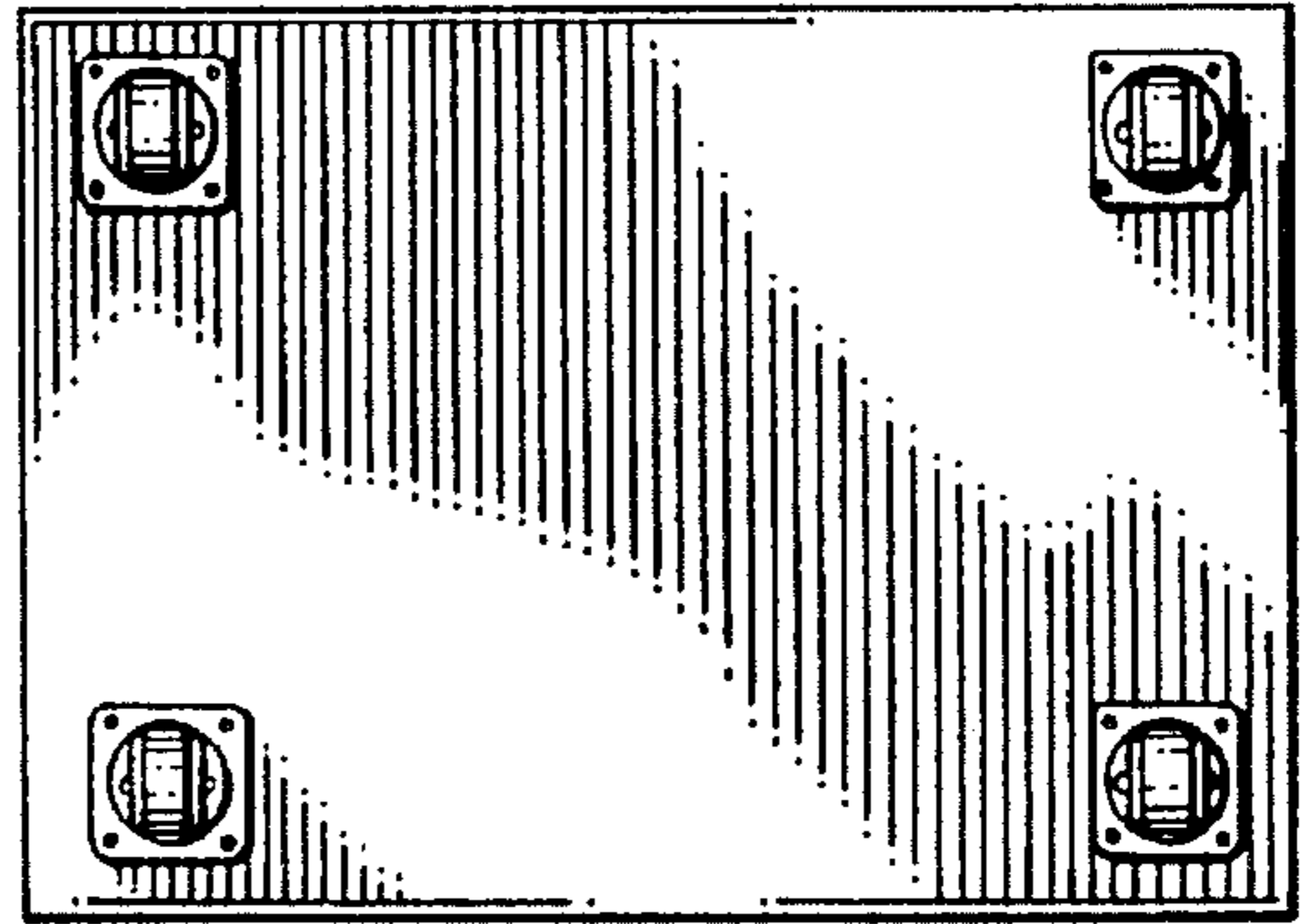


FIG. 3

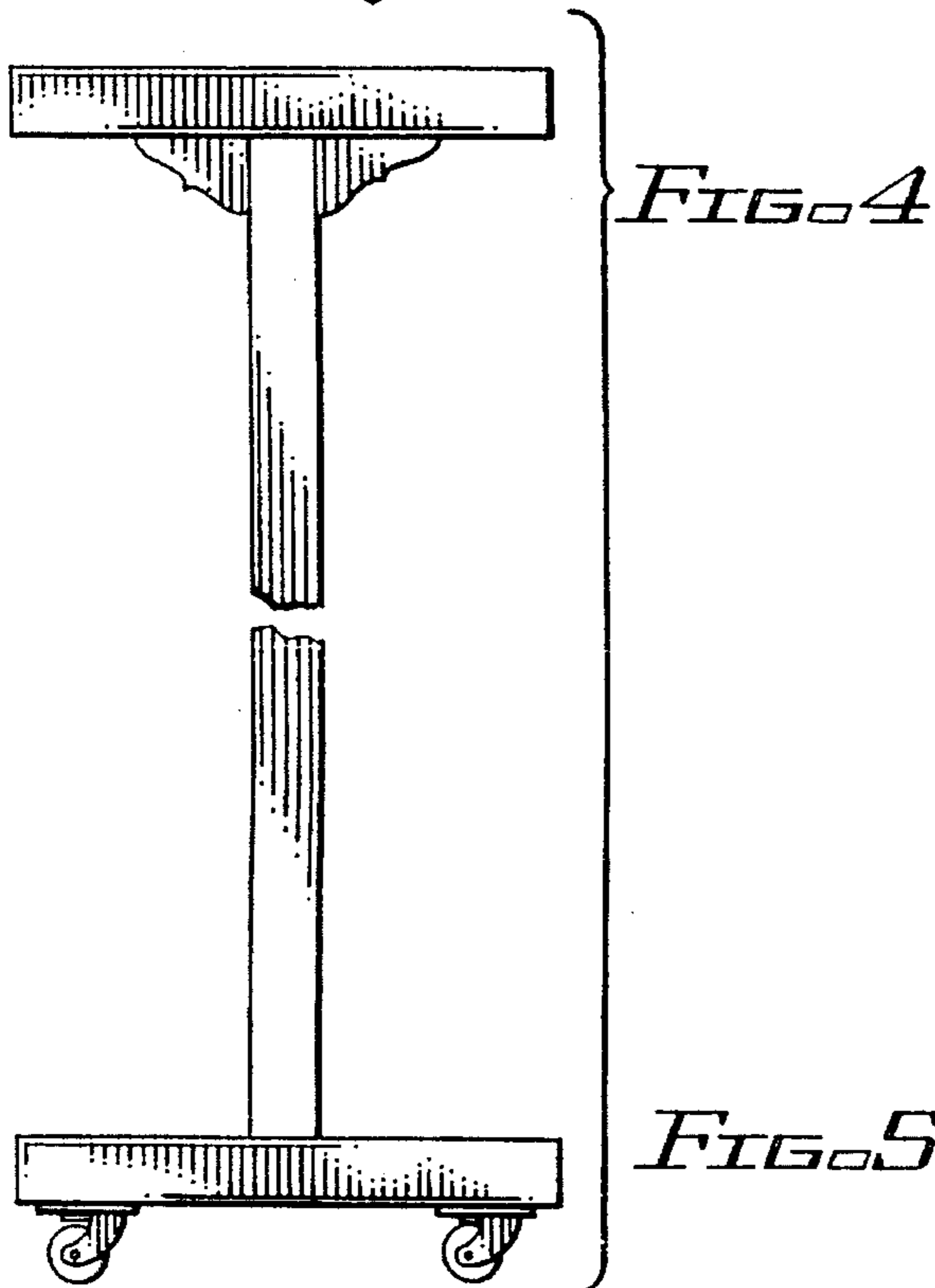


FIG. 4

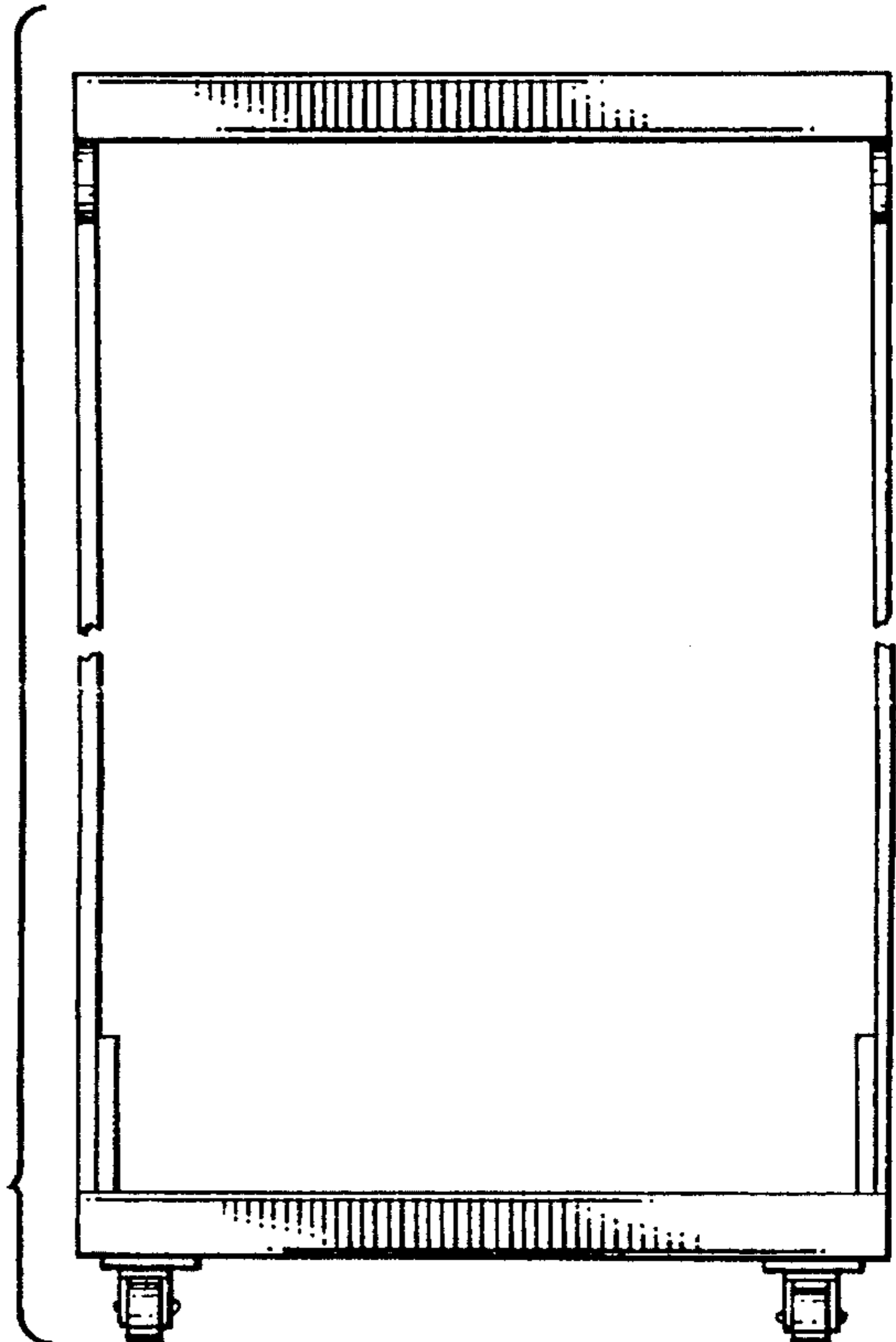


FIG. 5