



US00D370369S

United States Patent [19]
Nordstrom

[11] **Patent Number: Des. 370,369**
[45] **Date of Patent: **Jun. 4, 1996**

[54] **FOLDABLE STAND FOR TWO GUITARS**
[76] Inventor: **James P. Nordstrom**, 144 Bower St.,
Apt. #4, Jersey City, N.J. 07307
[**] Term: **14 Years**
[21] Appl. No.: **18,455**
[22] Filed: **Feb. 7, 1994**
[52] U.S. Cl. **D6/466; D17/99**
[58] Field of Search **D6/449, 450, 451,**
D6/466-474; D17/99, 20; 248/129, 443

[56] **References Cited**

U.S. PATENT DOCUMENTS

D. 260,589	9/1981	O'Brien	D6/449	X
D. 329,342	9/1992	Schoenig	D6/466	
D. 332,882	2/1993	Graves	D6/466	
4,684,091	8/1987	Moreschi	248/443	X
5,029,796	7/1991	Schoenig	248/443	
5,149,901	9/1992	Boor et al.	248/443	X

Primary Examiner—Alan P. Douglas
Assistant Examiner—S. Snapp
Attorney, Agent, or Firm—Siegmar Silber

[57] **CLAIM**

The ornamental design for a foldable stand for two guitars,
as shown and described.

DESCRIPTION

FIG. 1 is a perspective view of the first embodiment of the

foldable stand for two guitars of the present invention;
FIG. 2 is a front elevational view of the invention shown in
FIG. 1;
FIG. 3 is a side elevational view of the invention shown in
FIG. 1, the opposite side being a mirror image thereof;
FIG. 4 is a top plan view of the invention of FIG. 1;
FIG. 5 is a bottom plan view of the invention of FIG. 1;
FIG. 6 is a perspective view of the invention of FIG. 1, but
shown in the folded condition;
FIG. 7 is a perspective view of the second embodiment of
the foldable stand for two guitars of the present invention
similar to FIG. 1 but having a retaining lip on the outer
portion thereof;
FIG. 8 is a front elevational view of the invention shown in
FIG. 7;
FIG. 9 is a side elevational view of the invention shown in
FIG. 7, the opposite side being a mirror image thereof;
FIG. 10 is a top plan view of the invention of FIG. 7;
FIG. 11 is a bottom plan view of the invention of FIG. 7;
and,
FIG. 12 is a perspective view of the invention of FIG. 7, but
shown in the folded condition.

In the embodiments shown, the broken line showing of
guitars is for illustrative purposes only and forms no part of
the claimed design.

1 Claim, 4 Drawing Sheets

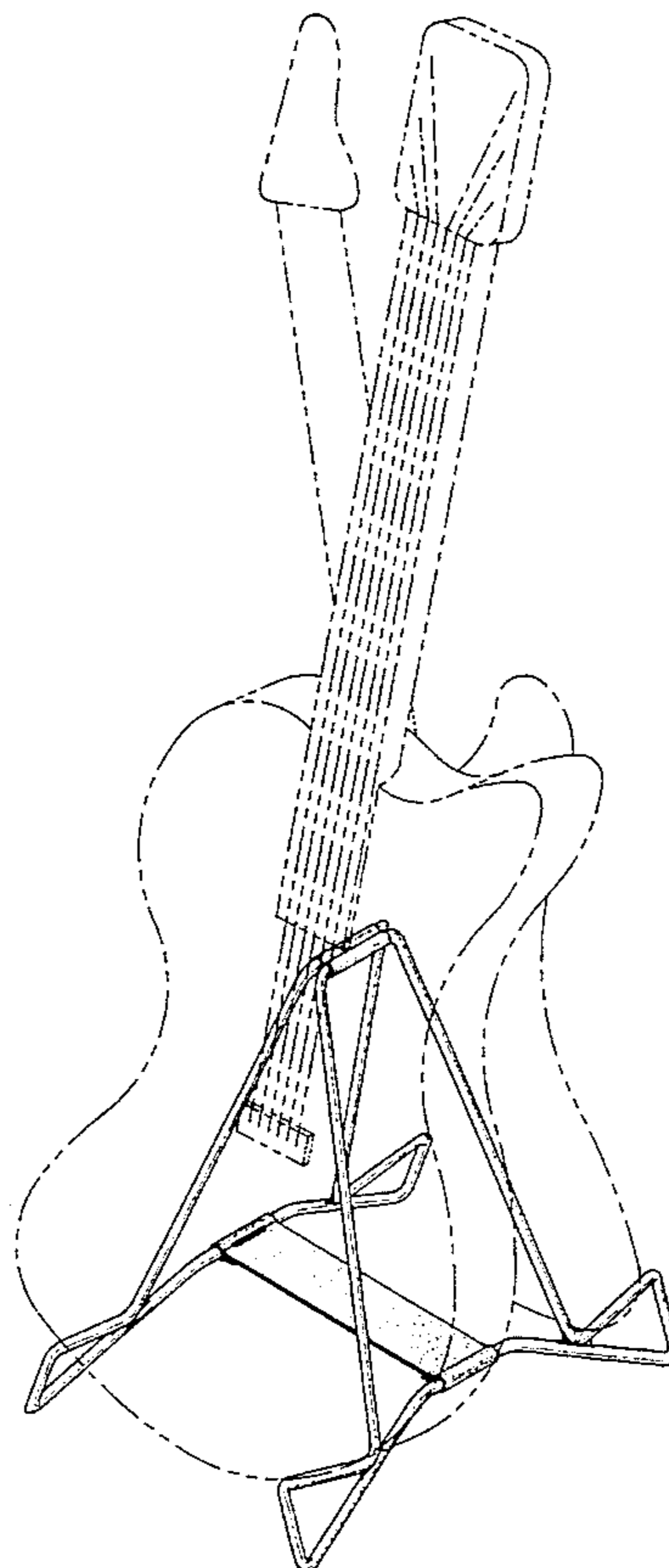
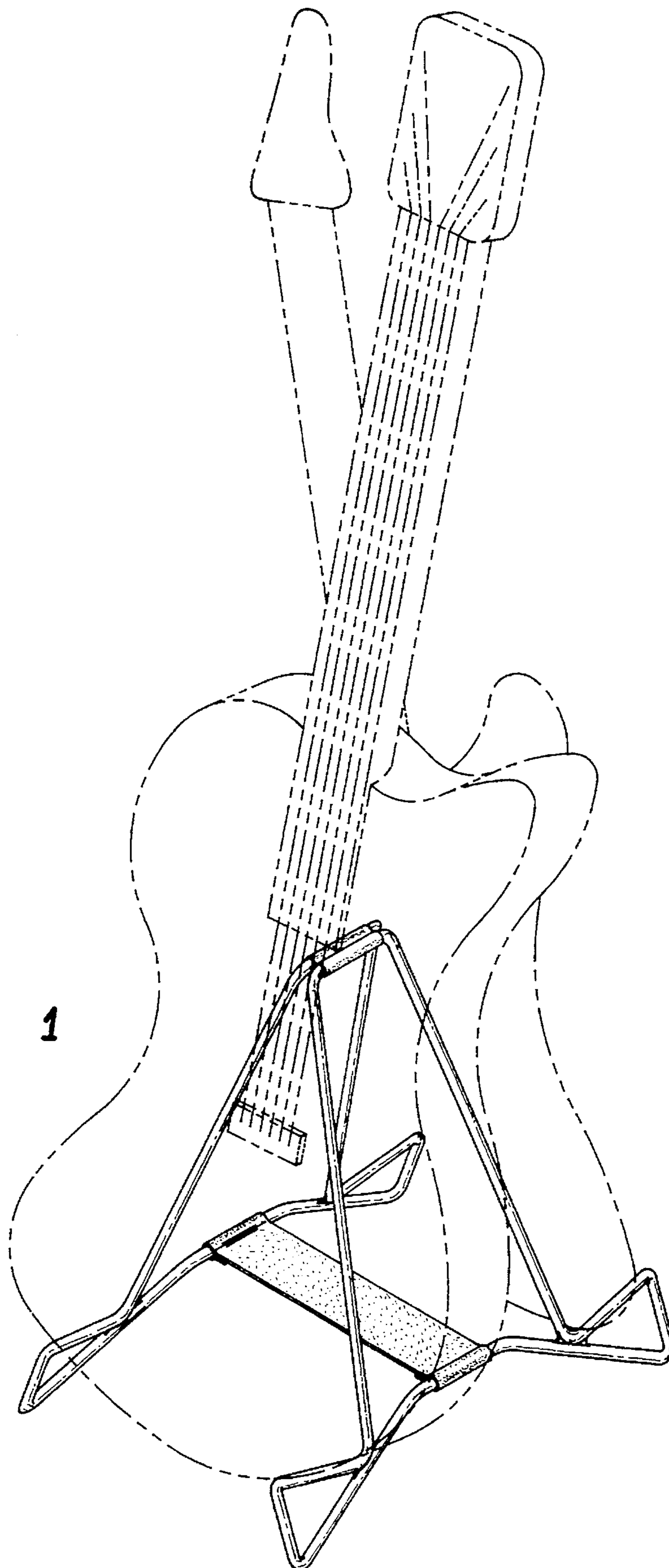


FIG. 1



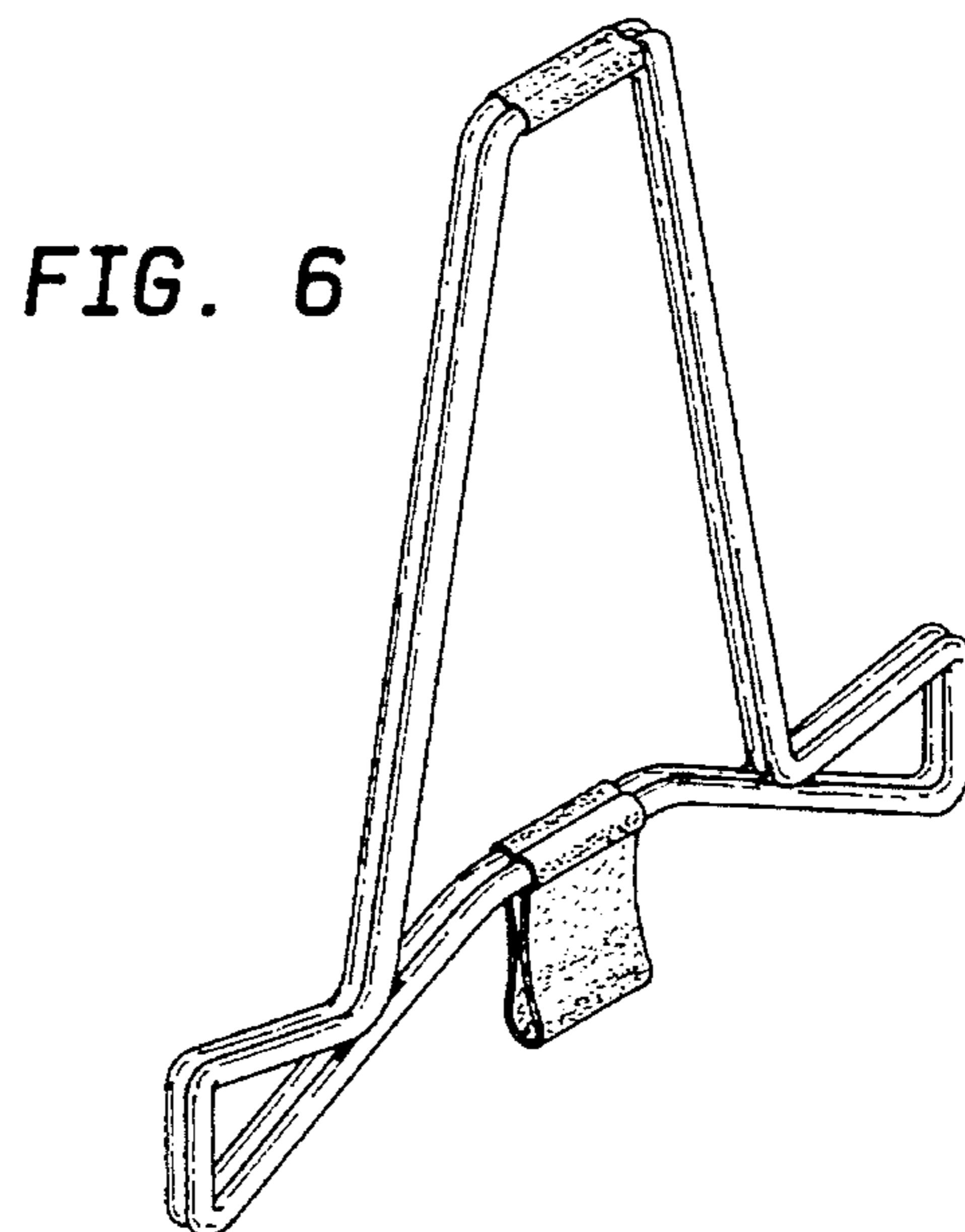
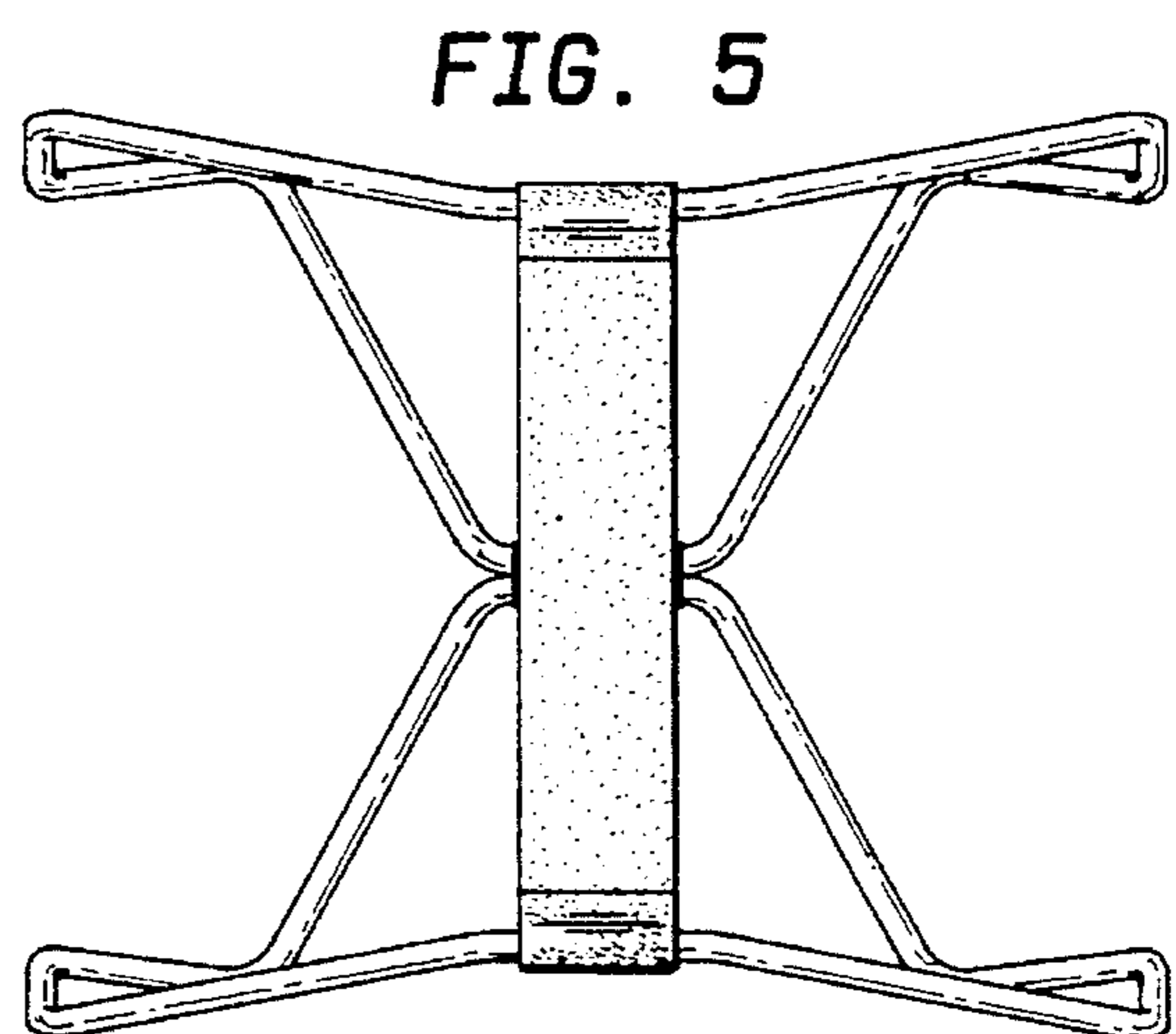
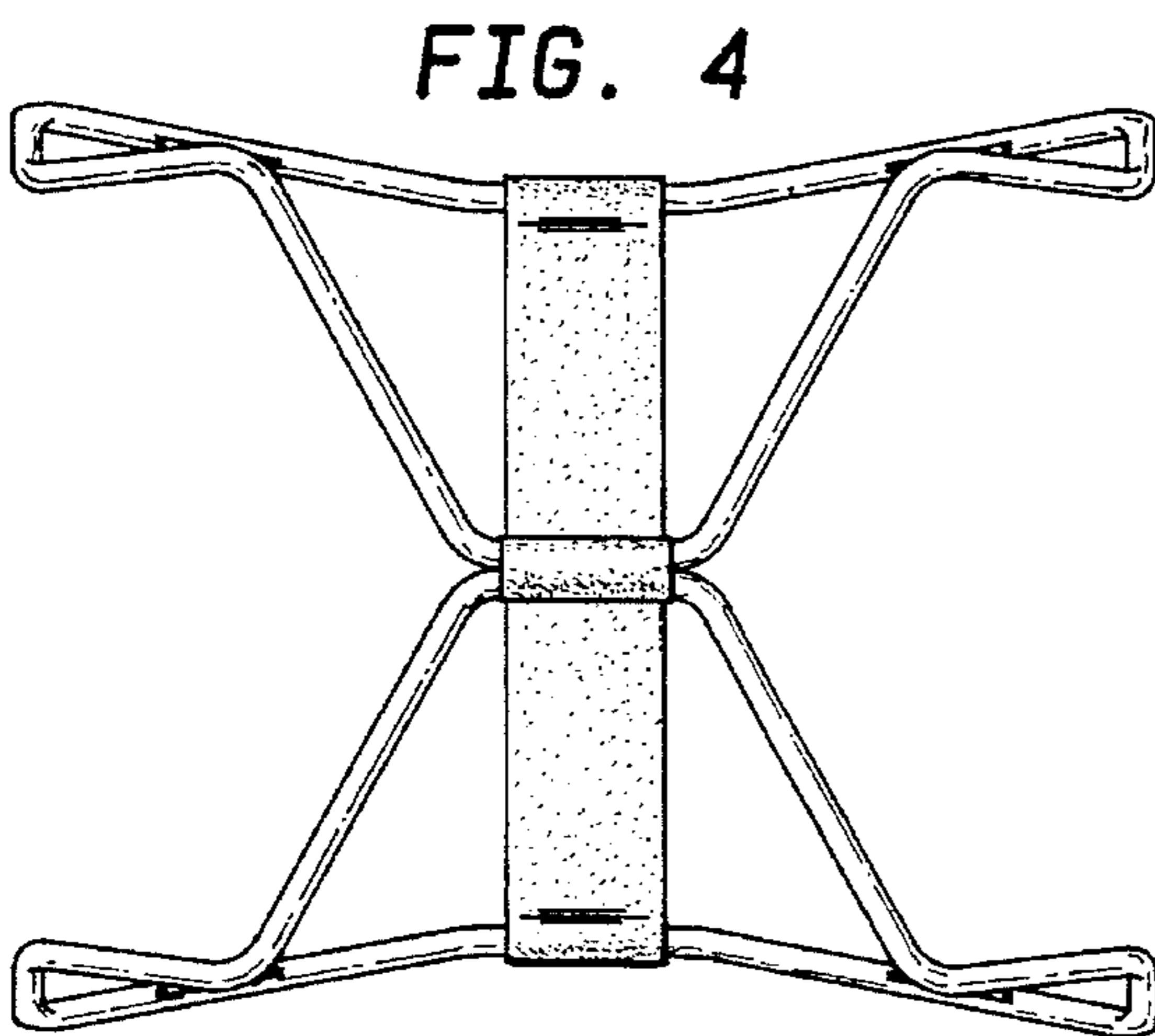
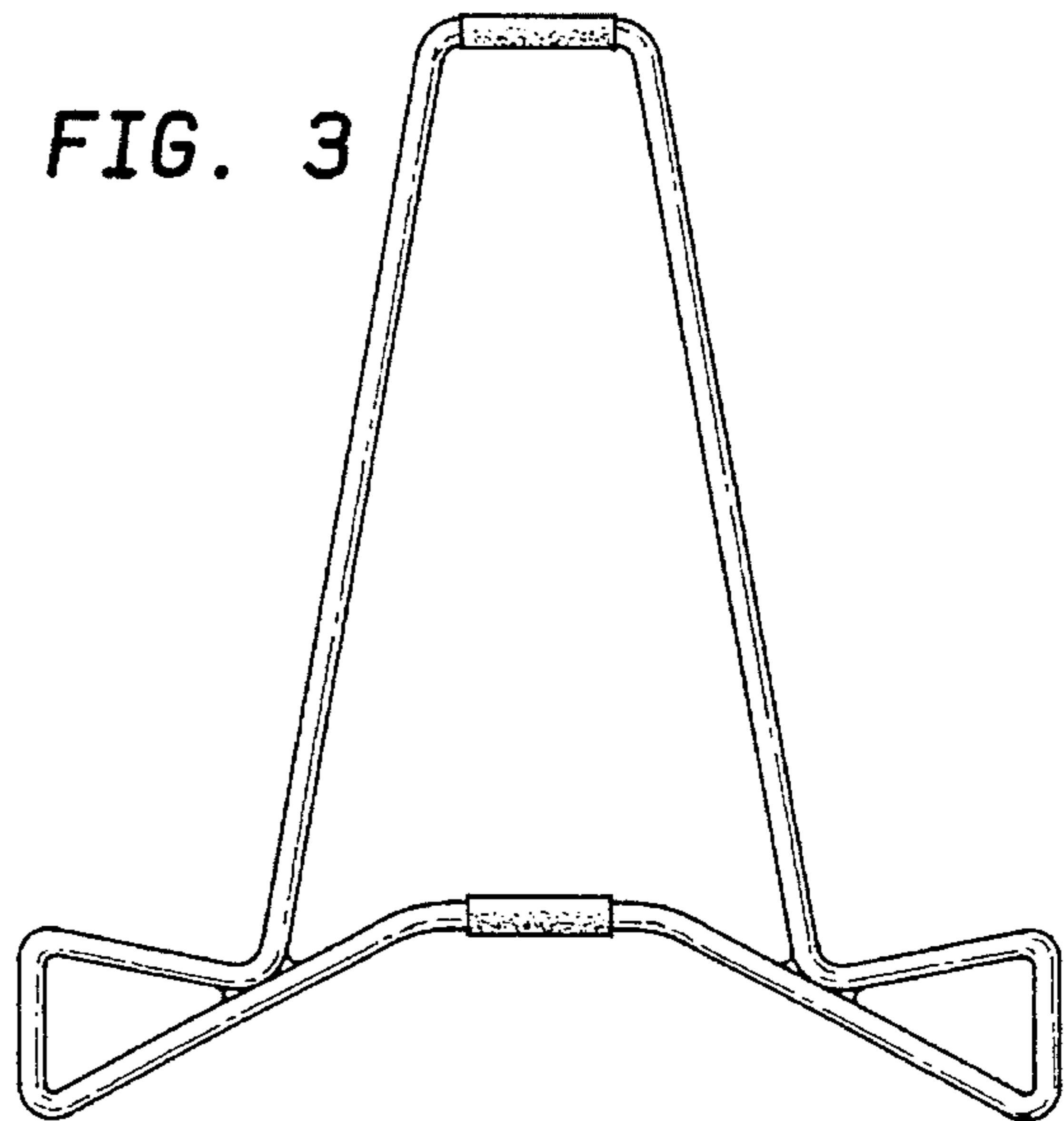
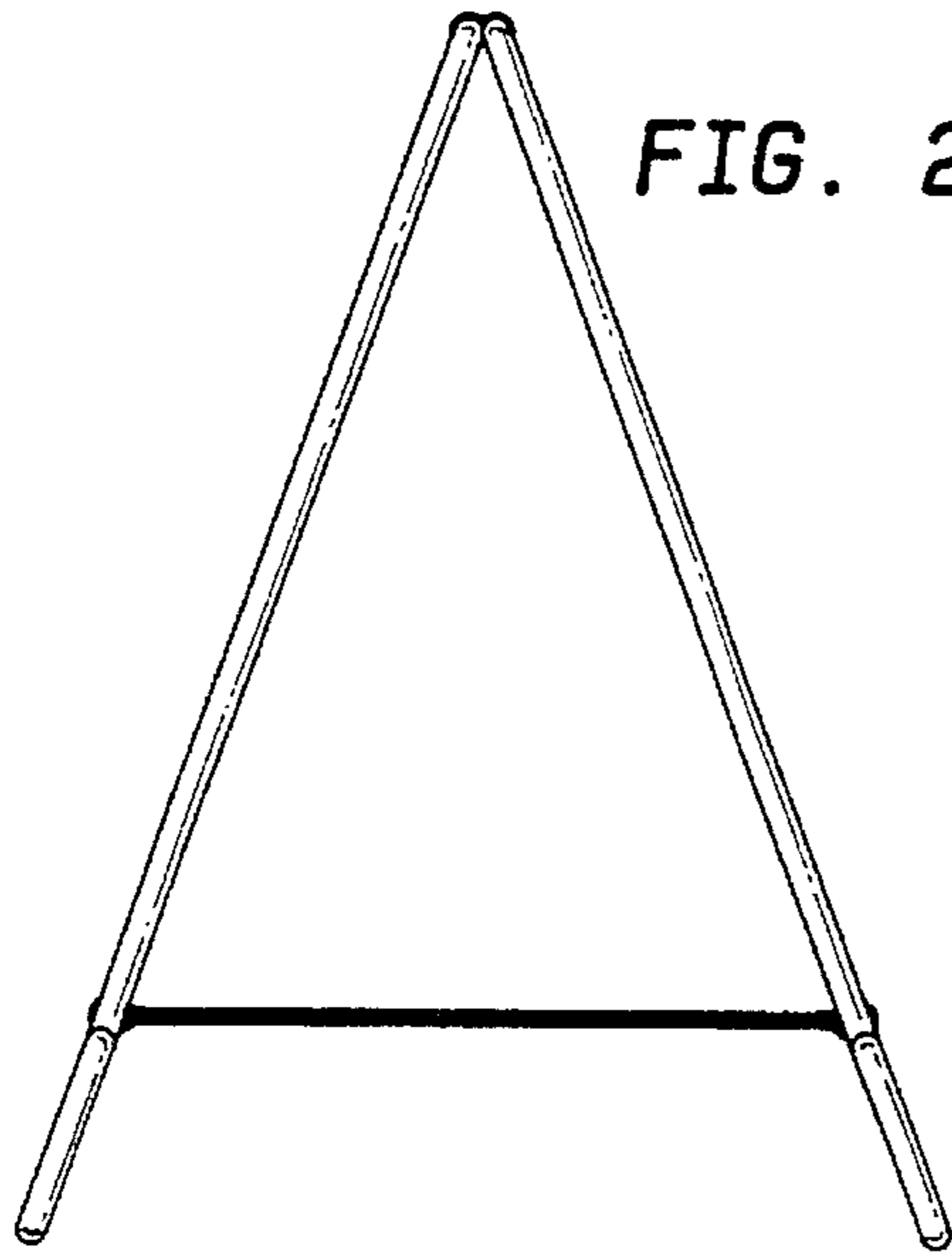


FIG. 7

