



US00D370364S

# United States Patent [19]

[11] Patent Number: **Des. 370,364**

Proano et al.

[45] Date of Patent: **\*\*Jun. 4, 1996**

[54] **CONVERTIBLE CRIB IN TWIN BED CONFIGURATION**

5,038,427 8/1991 Golden .  
5,077,846 1/1992 Wheeler, III et al. .  
5,173,974 12/1992 Proano et al. .... 5/93.2

[76] Inventors: **Lou Proano; Rene D. Proano**, both of  
1648 Channelside Trail, Baldwinsville,  
N.Y. 13027-9052

### OTHER PUBLICATIONS

Lehman Line, c1930, p. 19, doll bed at top left, #212.  
J.C. Penney Spring/summer 1992, p. 999, bed #C at bottom right.  
J.C. Penney Spring/summer 1992, p. 983, bed #C at center right.  
Best, p. 456, #7 bed at center left.  
Ikea, 1990, p. 100, bed at top.

[\*\*] Term: **14 Years**

*Primary Examiner*—Janice E. Seeger  
*Attorney, Agent, or Firm*—August E. Roehrig, Jr.

[21] Appl. No.: **34,397**

[22] Filed: **Feb. 3, 1995**

### Related U.S. Application Data

[62] Division of Ser. No. 11,756, Aug. 13, 1993, Pat. No. Des. 356,452.

[52] U.S. Cl. .... **D6/395**

[58] Field of Search ..... D6/382, 383, 389-395,  
D6/505-508; 5/53.1, 279.1, 239, 240

[57] **CLAIM**

The ornamental design for a convertible crib in twin bed configuration, as shown and described.

[56] **References Cited**

### DESCRIPTION

#### U.S. PATENT DOCUMENTS

D. 256,526	8/1980	Johnson	.....	D6/389
D. 295,121	4/1988	Foster	.....	D6/395
D. 343,071	1/1994	Ferguson	.....	D6/395
D. 356,452	3/1995	Proano et al.	.....	D6/391
1,193,272	8/1916	Laforest	.	
2,223,955	6/1939	Greenbaum	.	
3,821,822	7/1974	Borregine	.	
4,525,883	7/1985	Necowitz	.	

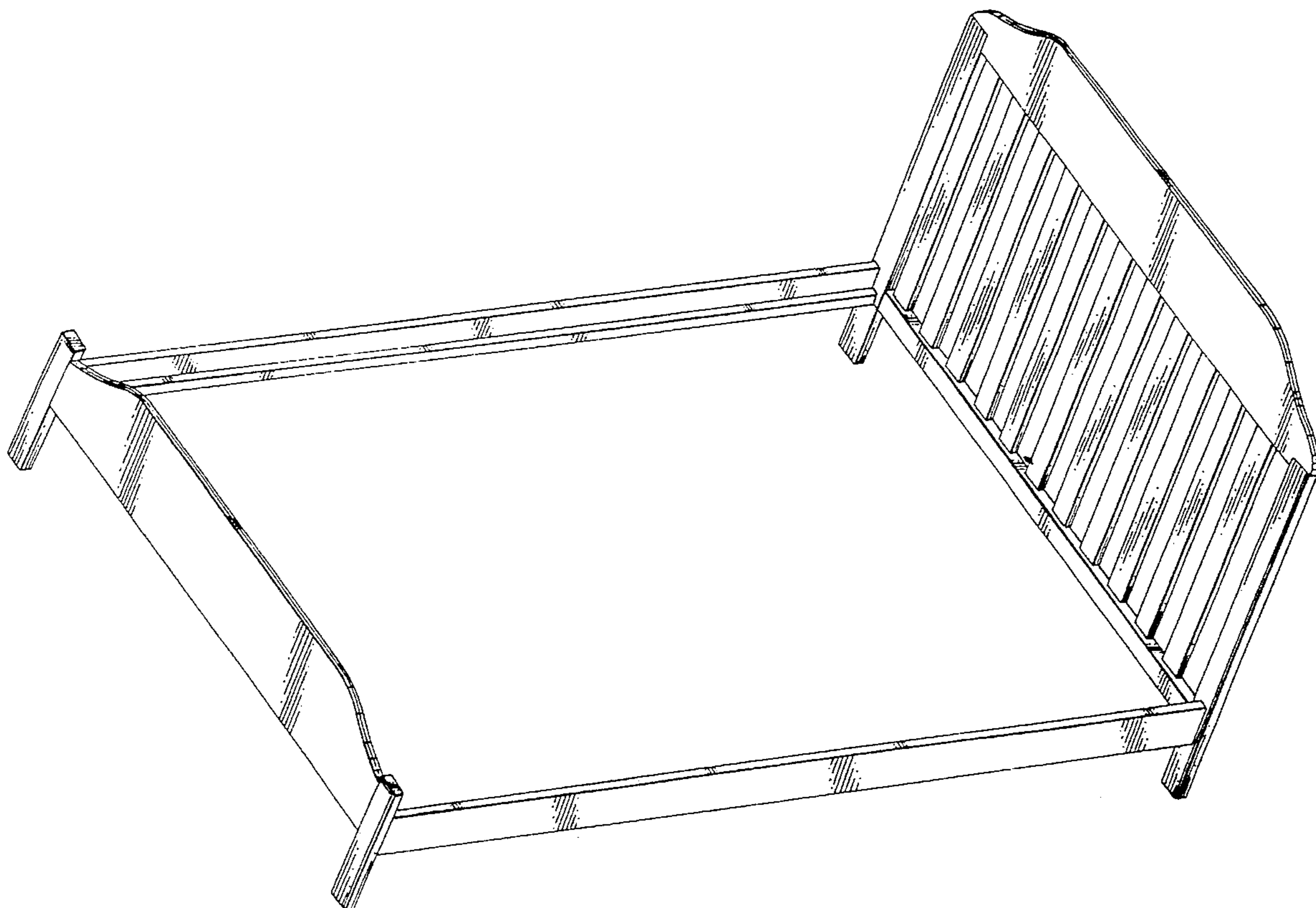
FIG. 1 is a perspective view of a convertible crib in twin bed configuration;

FIG. 2 is a top plan view; and,

FIG. 3 is a side elevational view, the opposite side being a mirror image thereof.

The side of the headboard and footboard, not shown, are substantially the same as that shown.

**1 Claim, 3 Drawing Sheets**



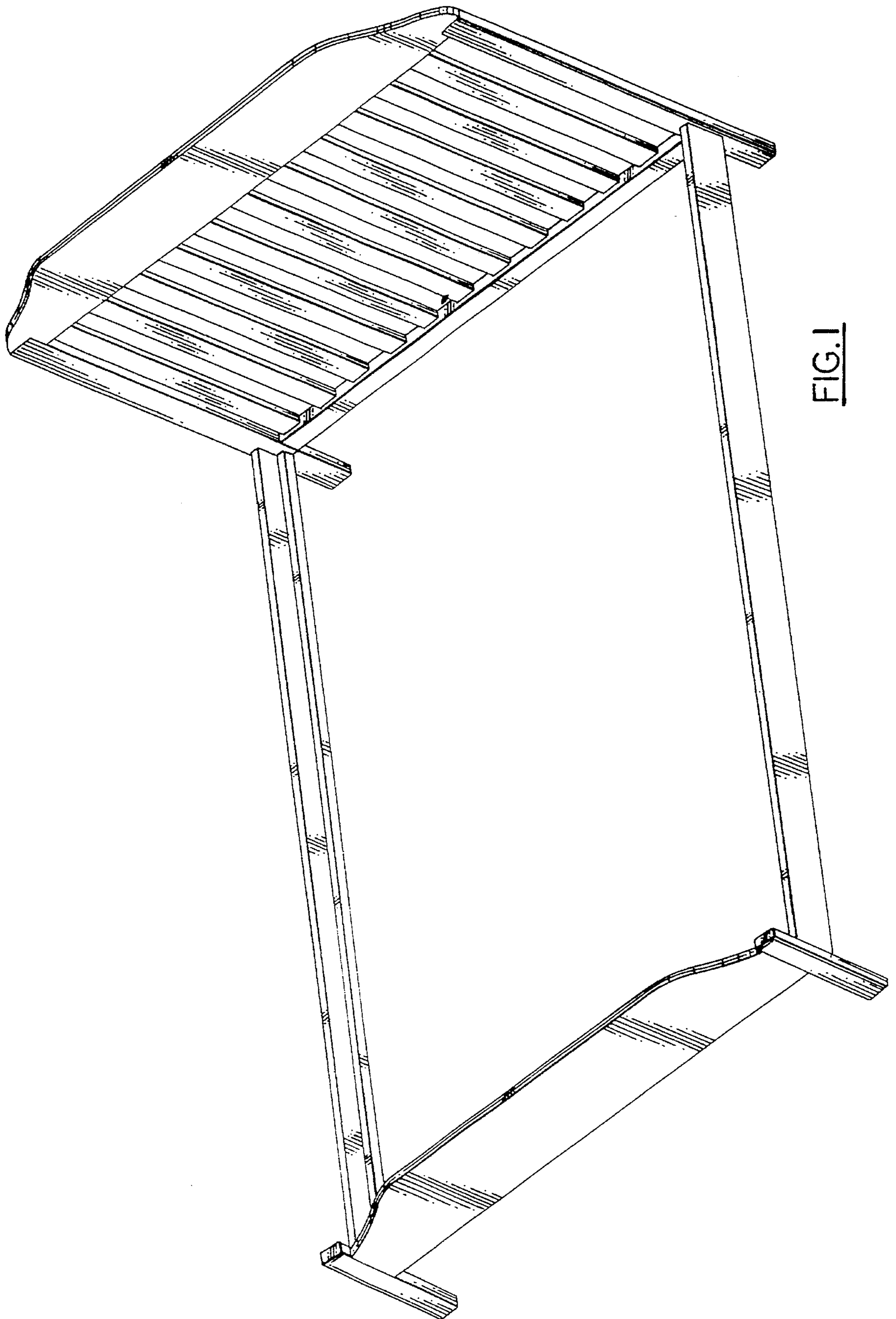


FIG. 1

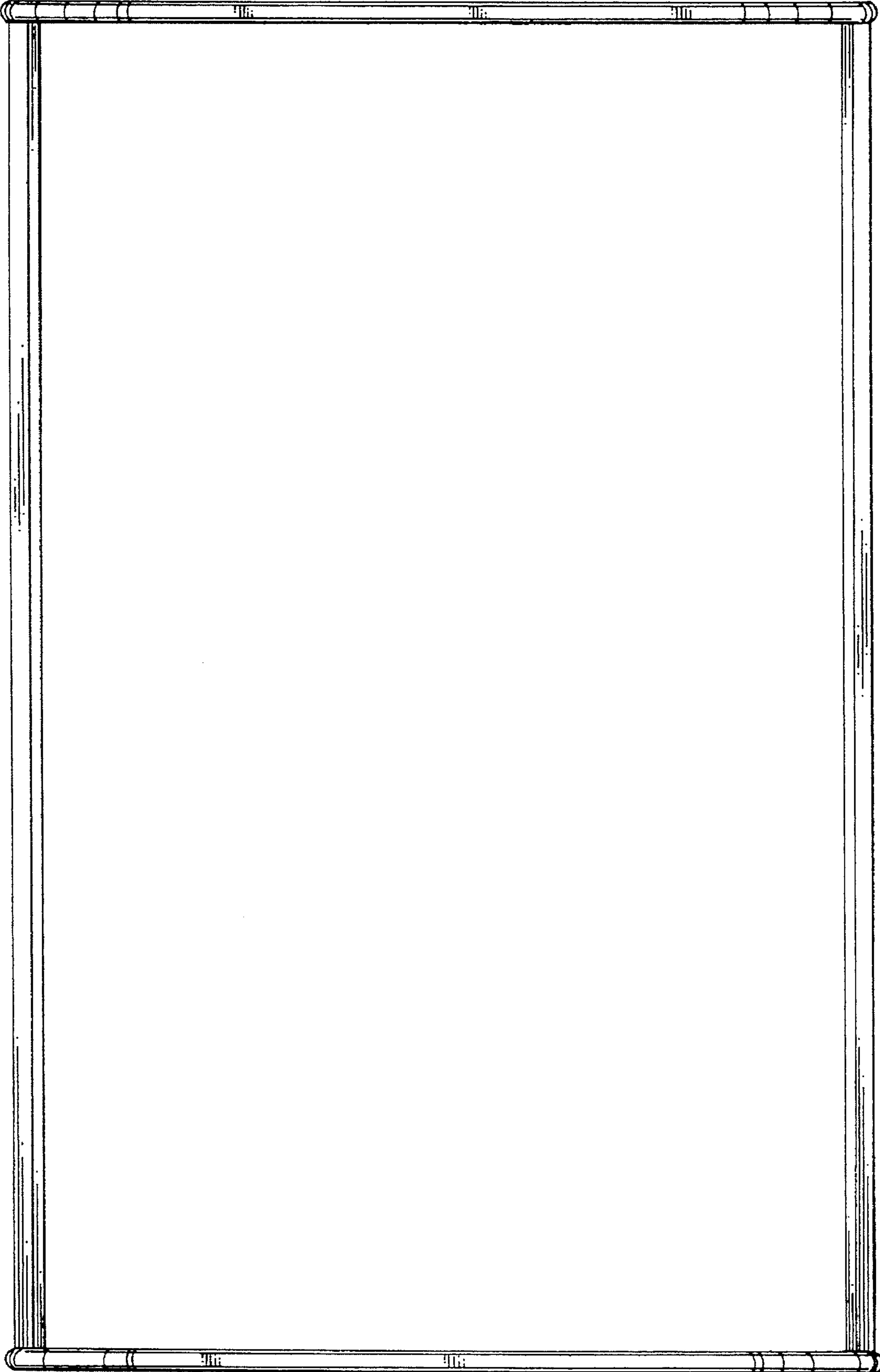


FIG.2

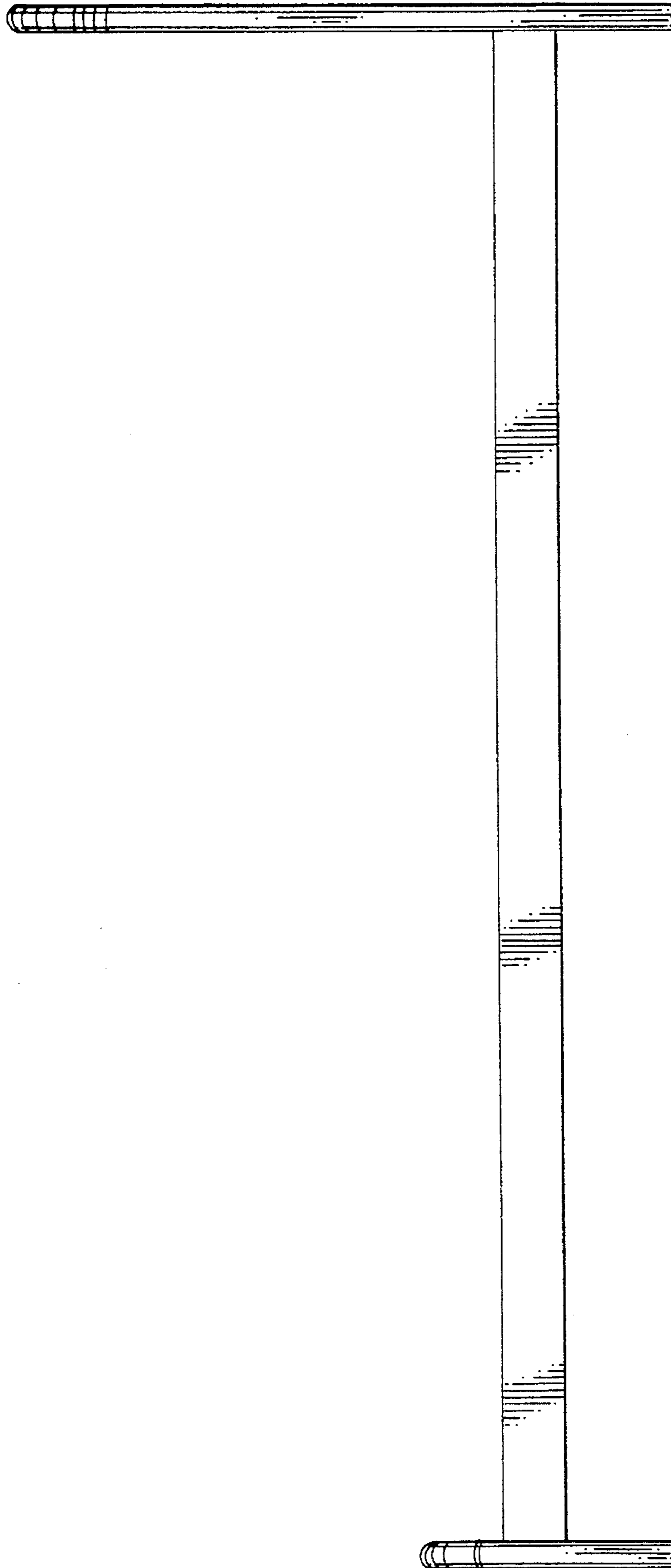


FIG. 3



UNITED STATES PATENT AND TRADEMARK OFFICE  
**CERTIFICATE OF CORRECTION**

PATENT NO. : Des. 370,364  
DATED : June 4, 1996  
INVENTOR(S) : Lou and Rene D. Proano

It is certified that error appears in the above-identified patent and that said Letters Patent is hereby corrected as shown below:

Item [54]

In the title the word "TWIN" should be --ADULT--;

Item [57]

In the CLAIM the word "twin" should be --adult--;

In the DESCRIPTION, line 1, the word "twin" should be --adult--.

Signed and Sealed this  
Seventeenth Day of September, 1996

Attest:



BRUCE LEHMAN

Attesting Officer

Commissioner of Patents and Trademarks