



US00D370360S

United States Patent [19] Fewchuk

[11] **Patent Number:** **Des. 370,360**
[45] **Date of Patent:** ****Jun. 4, 1996**

[54] **SIDE CHAIR**

[75] Inventor: **Michael A. Fewchuk**, Eastwood,
Australia
[73] Assignee: **Sebel Furniture Limited**, Bankstown,
Australia
[**] Term: **14 Years**

| | | | | |
|------------|---------|---------------|-------|--------|
| D. 233,715 | 11/1974 | Fantoni | | D6/375 |
| D. 236,670 | 9/1975 | Oyeda | | D6/375 |
| D. 249,417 | 9/1978 | Ambasz | | D6/374 |
| D. 259,688 | 6/1981 | Ambasz | | D6/375 |
| D. 272,587 | 2/1984 | Pamberg | | D6/380 |
| D. 284,048 | 6/1986 | Ambasz et al. | | D6/380 |
| D. 292,149 | 10/1987 | Monesi | | D6/380 |
| D. 327,587 | 7/1992 | Piretti | | D6/380 |
| D. 347,334 | 5/1994 | Fewchuk | | D6/375 |

[21] Appl. No.: **29,082**
[22] Filed: **Sep. 29, 1994**

Primary Examiner—Gary D. Watson
Attorney, Agent, or Firm—Merchant, Gould, Smith, Edell,
Welter & Schmidt

[30] **Foreign Application Priority Data**

[57] **CLAIM**

May 23, 1994 [AU] Australia 1614/94
[52] **U.S. Cl.** **D6/374; D6/375; D6/380**
[58] **Field of Search** D6/334, 374, 375,
D6/380, 500, 501, 502; 297/285, 299, 445,
452.15

The ornamental design for a side chair, as shown.

DESCRIPTION

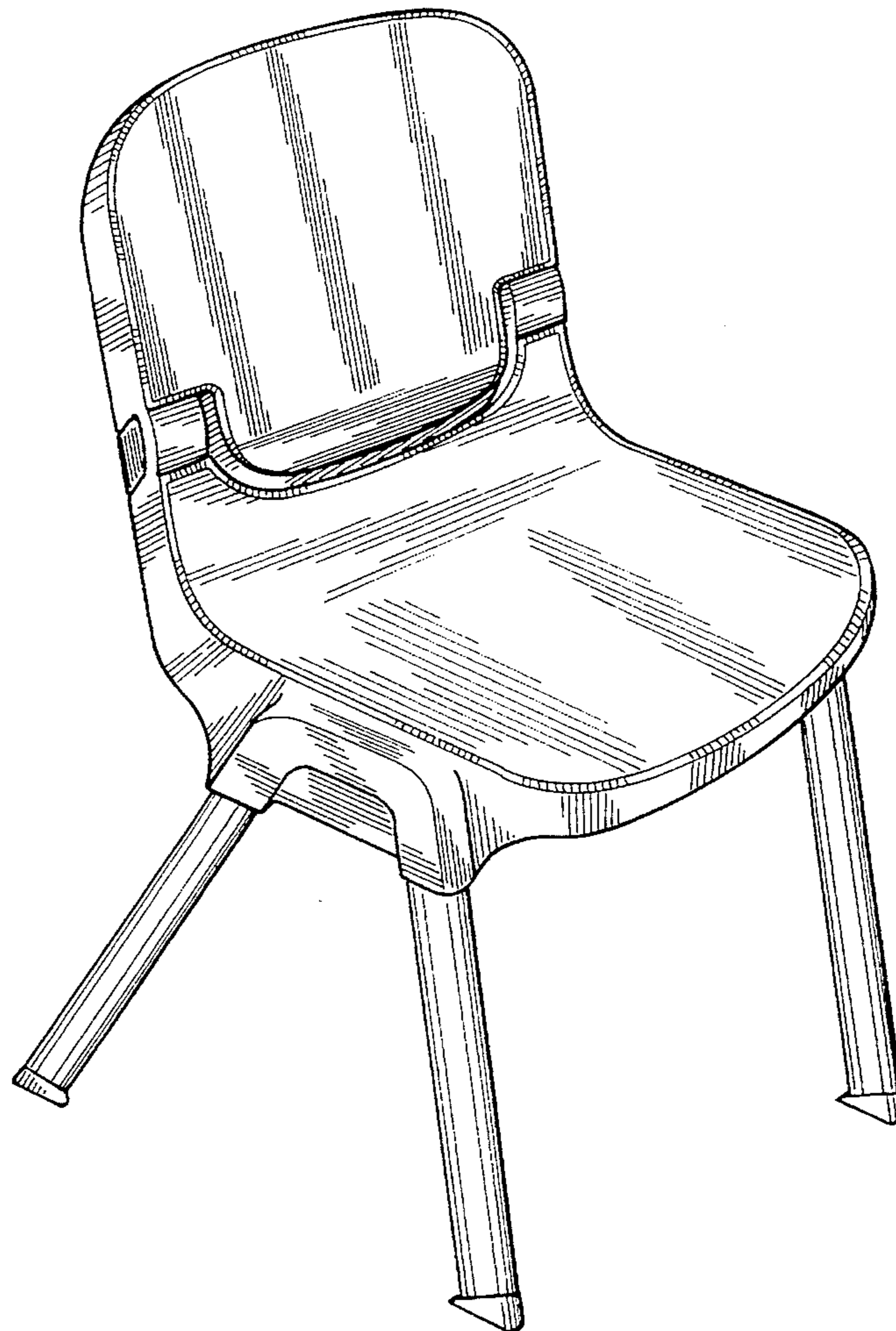
[56] **References Cited**

FIG. 1 is a perspective view of a side chair showing my new design;
FIG. 2 is a rear elevational view thereof;
FIG. 3 is a top plan view thereof;
FIG. 4 is a bottom plan view thereof;
FIG. 5 is a front elevational view thereof;
FIG. 6 is a right side elevational view thereof; and,
FIG. 7 is a left side elevational view thereof.

U.S. PATENT DOCUMENTS

| | | | | |
|------------|---------|-----------------|-------|--------|
| D. 189,347 | 11/1960 | Chapman et al. | | D6/375 |
| D. 193,340 | 8/1962 | Sundberg et al. | | D6/374 |
| D. 202,264 | 9/1965 | Albinson | | D6/374 |
| D. 214,315 | 6/1969 | Bartholomew | | D6/374 |

1 Claim, 7 Drawing Sheets



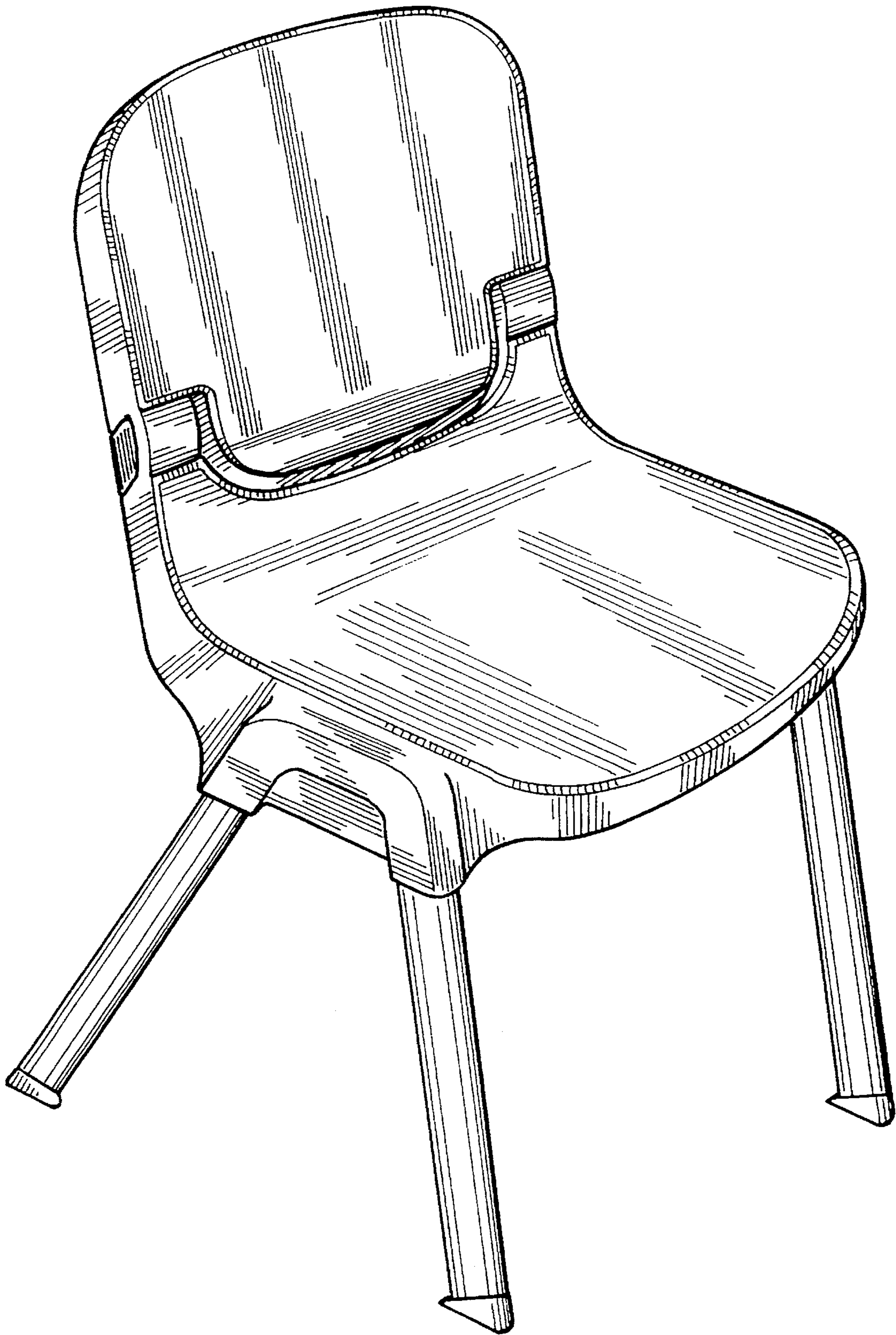


FIG. 1

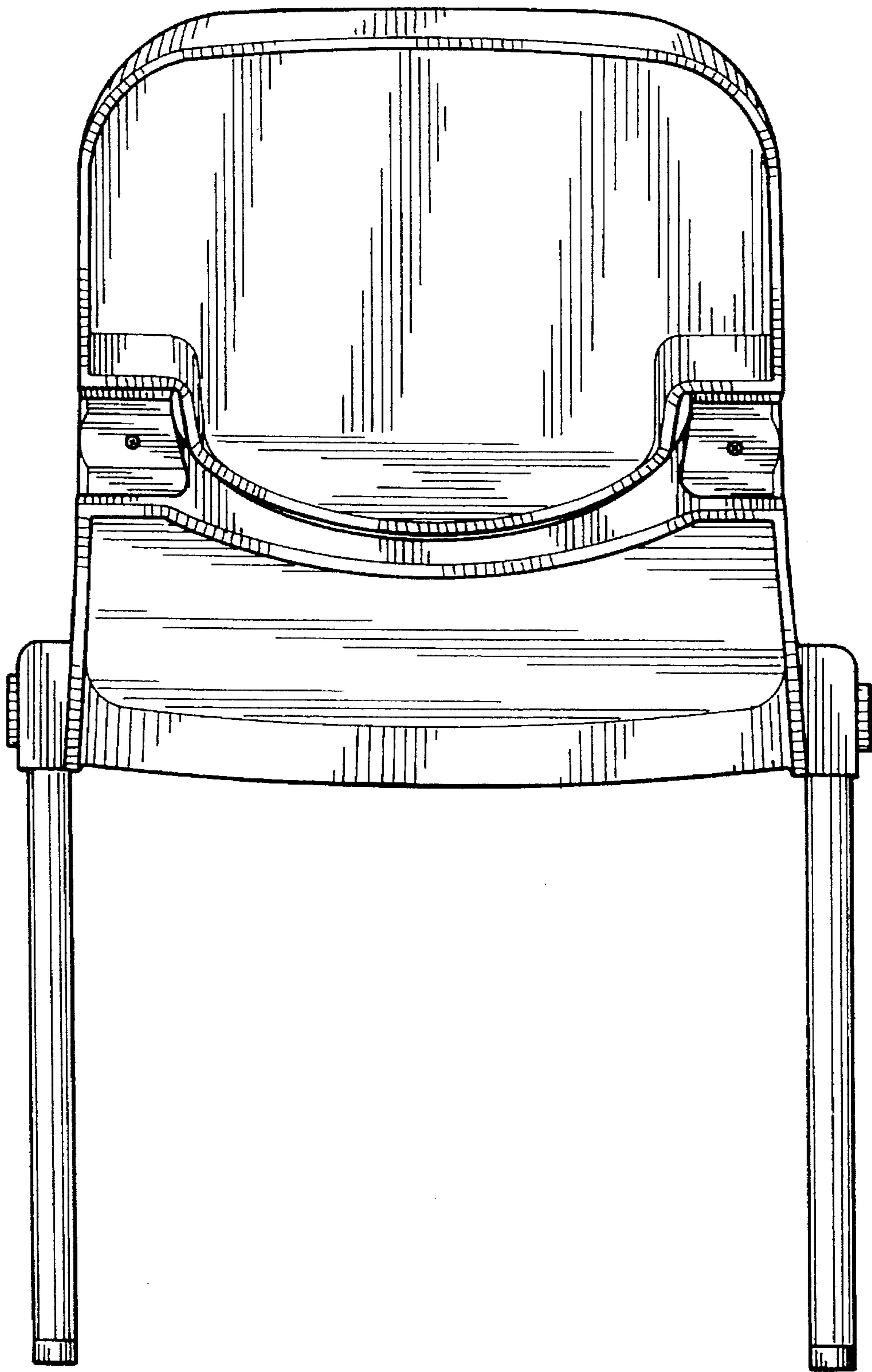


FIG. 2

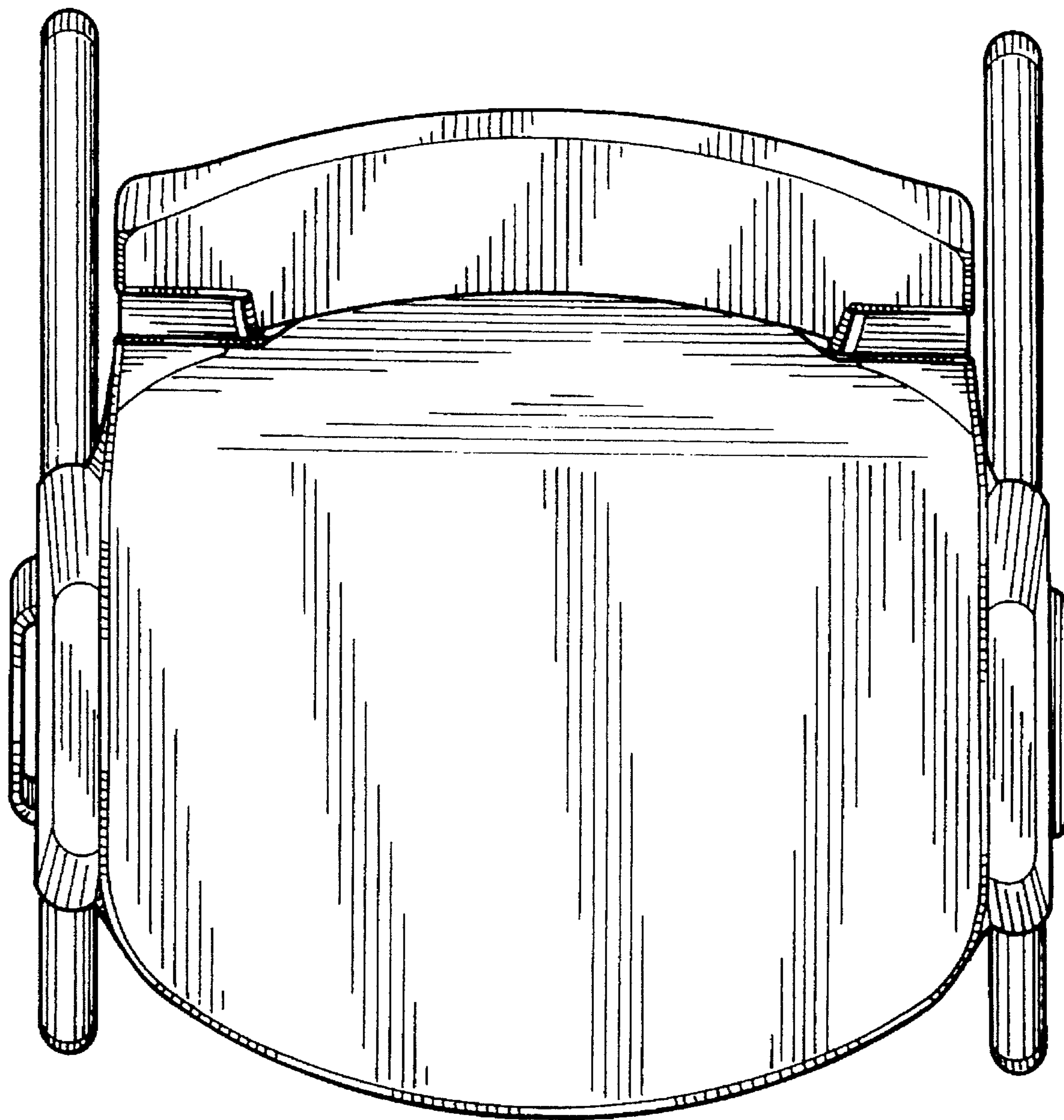


FIG. 3

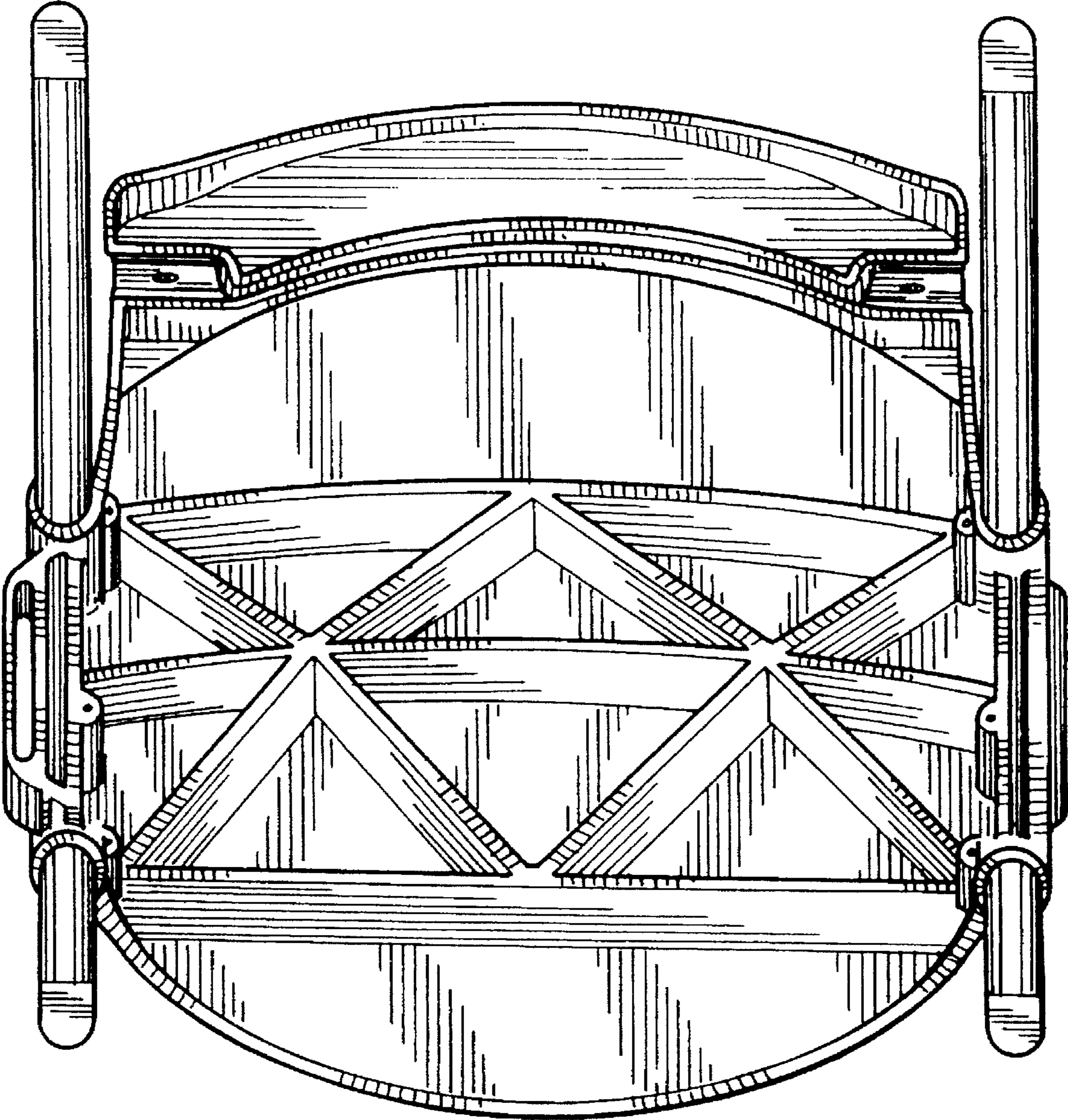


FIG. 4

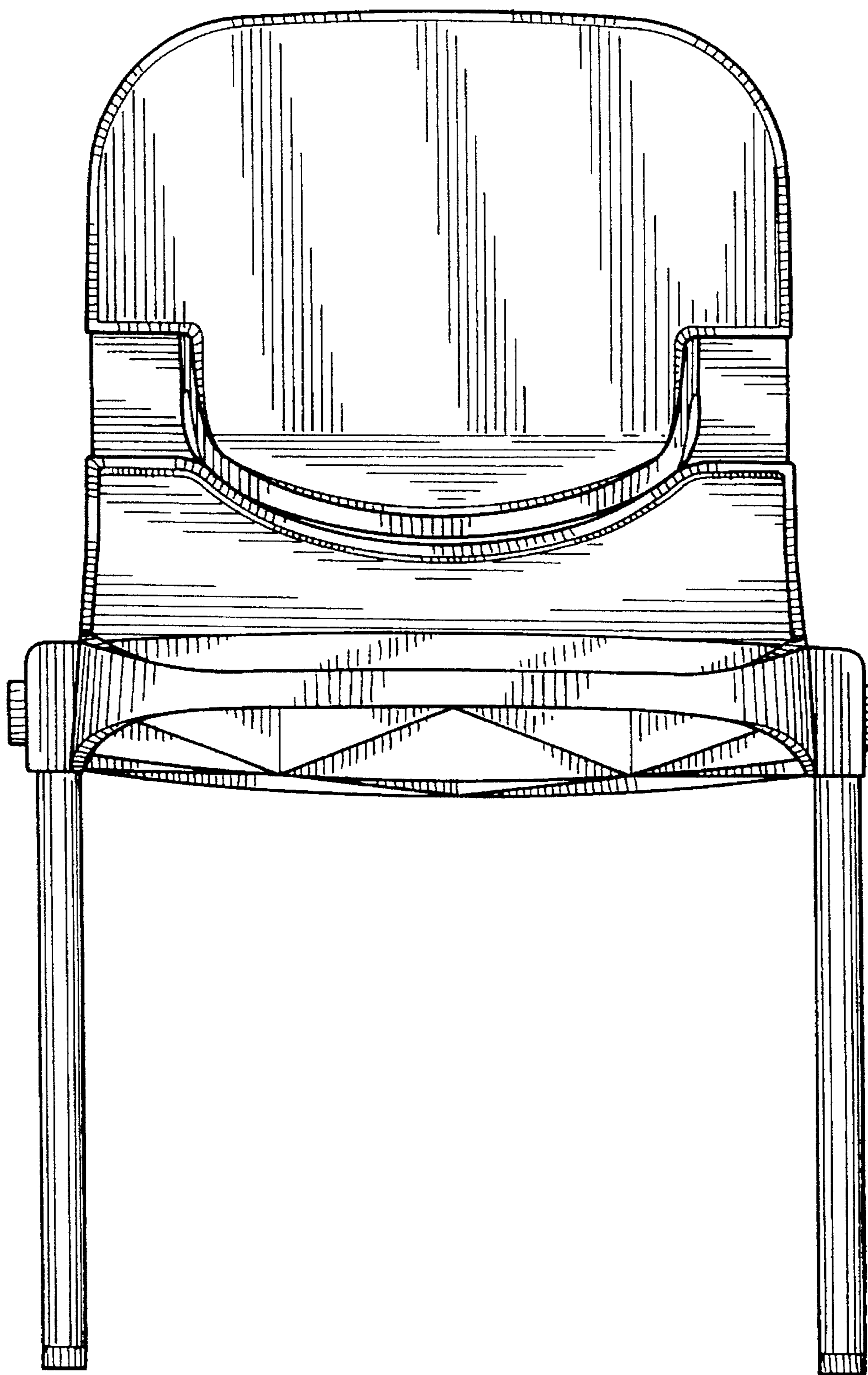


FIG. 5

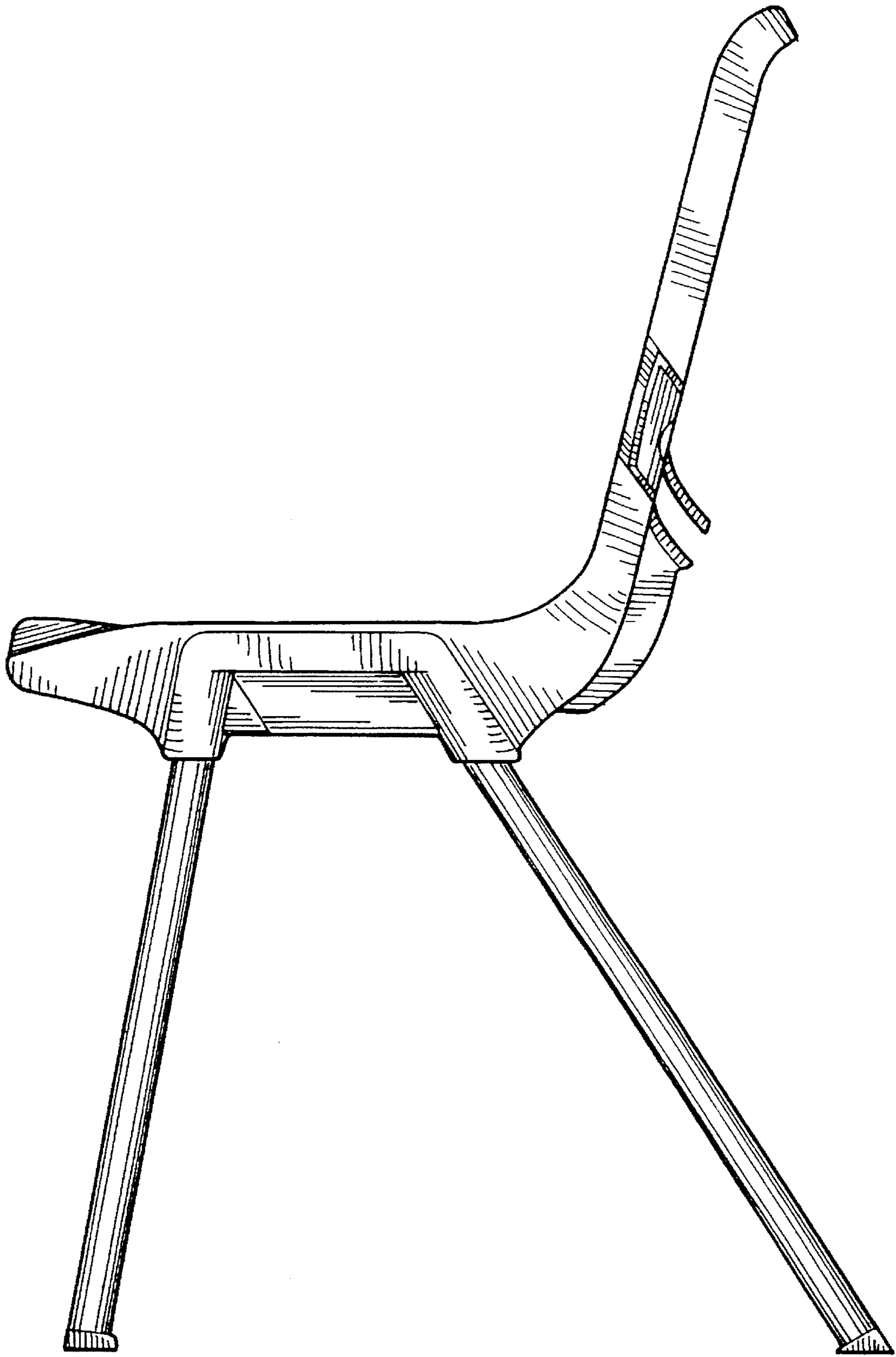


FIG. 6

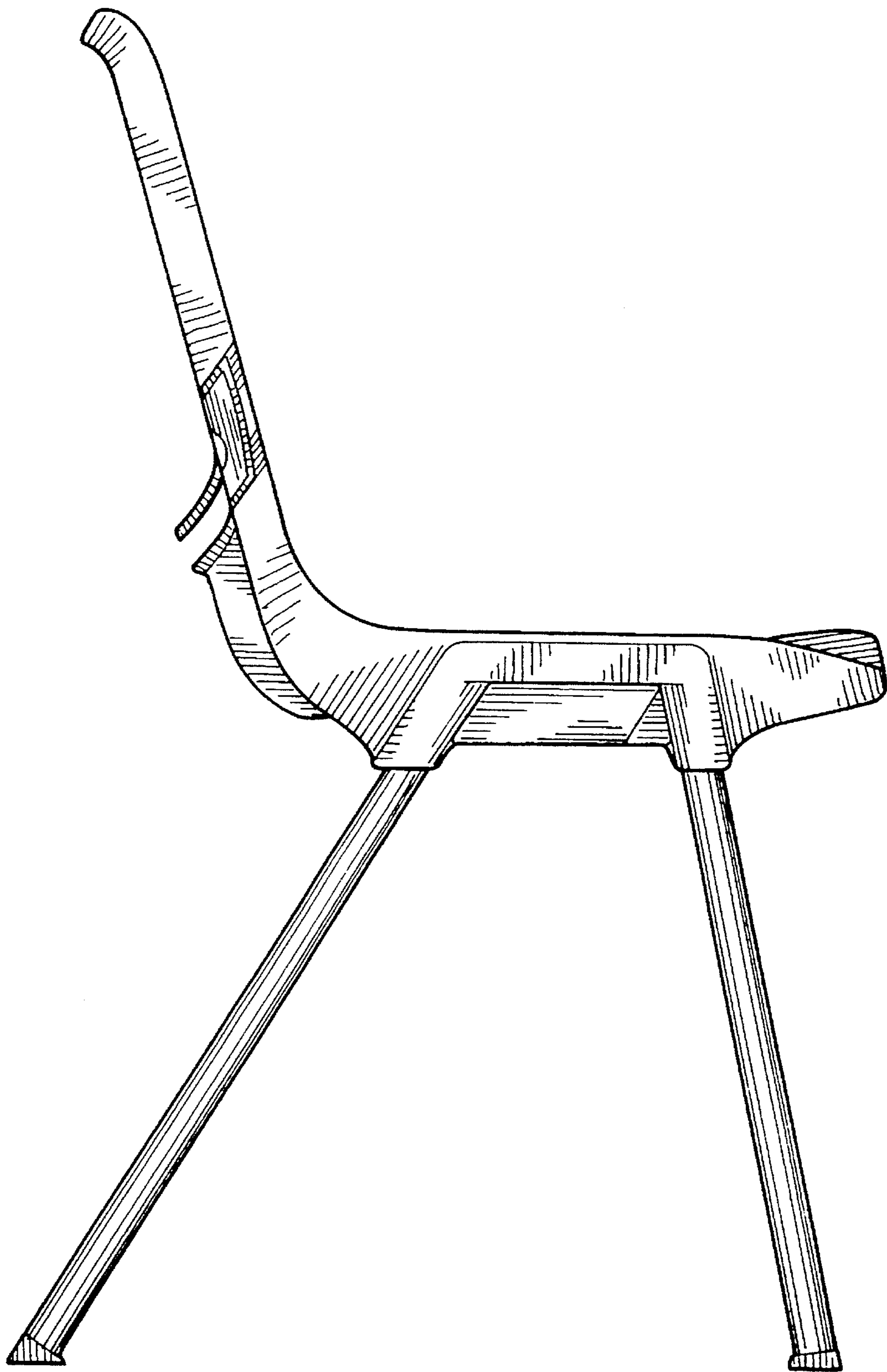


FIG. 7