



US00D370355S

# United States Patent [19] Kenney

[11] Patent Number: **Des. 370,355**  
[45] Date of Patent: **\*\*Jun. 4, 1996**

## [54] PRINT HOLDER

[76] Inventor: **Richard E. H. Kenney**, 566 Brooker Ridge, Newmarket, Ontario, Canada, L3X 1V7

[\*\*] Term: **14 Years**

[21] Appl. No.: **13,694**

[22] Filed: **Sep. 30, 1993**

## [30] Foreign Application Priority Data

Apr. 4, 1993 [GB] United Kingdom ..... 2030205  
[52] U.S. Cl. .... **D6/314; D6/310**  
[58] Field of Search ..... D6/300, 308-314;  
40/152, 152.1, 154-157

## [56] References Cited

### U.S. PATENT DOCUMENTS

D. 249,766	10/1978	Munn	.....	D6/312
D. 263,319	3/1982	Shuman	.	
D. 263,964	4/1982	Butman	.	
D. 313,050	12/1990	Burgess	.	
D. 325,048	3/1992	Penner	.	
D. 352,176	11/1994	McMillan	.....	D6/314 X
2,297,285	9/1942	Bledsoe	.	
2,409,814	10/1946	Vargish	.....	D6/314 X
2,434,860	1/1948	Oxley	.....	40/152.1
2,807,369	9/1957	Stark	.	
3,086,658	4/1963	Palmer	.	
3,452,463	7/1969	Chaput	.	
3,820,262	6/1974	Dewsnap	.	
3,836,419	9/1974	Hamberger	.....	161/18
3,956,837	5/1976	Itano	.	
4,165,572	8/1979	Sussman	.	
4,215,497	8/1980	Levy	.	
4,229,892	10/1980	Hueter et al.	.	
4,271,618	6/1981	Lyman	.	
4,384,416	5/1983	Kanzelberger	.	
4,442,617	4/1984	Frye et al.	.....	D6/314 X
4,496,127	1/1985	Nelson	.	
4,594,802	6/1986	Field	.	
5,222,315	6/1993	Louison	.....	40/152.1 X

### FOREIGN PATENT DOCUMENTS

8717449 U 4/1989 Germany .

## OTHER PUBLICATIONS

Instachange Displays Limited, "Plastic Menu & Sign Holders, Table Tents", Instachange Display Buyer's Guide & Price List, 1992, p. 18.

Burnes of Boston—1983, #8181 Frame left rear.

*Primary Examiner*—Janice E. Seeger  
*Attorney, Agent, or Firm*—Ridout & Maybee

## [57] CLAIM

The ornamental design for print holder, as shown and described.

## DESCRIPTION

FIG. 1 is a perspective view of a print holder of the present invention;

FIG. 2 is a side elevational view of the print holder of FIG. 1;

FIG. 3 is a rear elevational view of the print holder of FIG. 1, taken on the arrow 3 in FIG. 2;

FIG. 4 is a front elevational view of the print holder of FIG. 1, taken on the arrow 4 in FIG. 2;

FIG. 5 is a bottom plan view of the print holder of FIG. 1, taken on the arrow 5 in FIG. 2;

FIG. 6 is a top plan view of the print holder of FIG. 1, taken on the arrow 6 in FIG. 2;

FIG. 7 is a perspective view of a first variation of the print holder of the present invention;

FIG. 8 is a side elevational view of the print holder of FIG. 7;

FIG. 9 is a rear elevational view of the print holder of FIG. 7;

FIG. 10 is a front elevational view of the print holder of FIG. 7;

FIG. 11 is a bottom plan view of the print holder of FIG. 7, taken on the arrow 11 in FIG. 8;

FIG. 12 is a top plan view of the print holder of FIG. 7, taken on the arrow 12 in FIG. 8;

FIG. 13 is a perspective view of a second variation of the print holder of the present invention;

FIG. 14 is a side elevational view of the print holder of FIG. 13;

FIG. 15 is a rear elevational view of the print holder of FIG. 13;

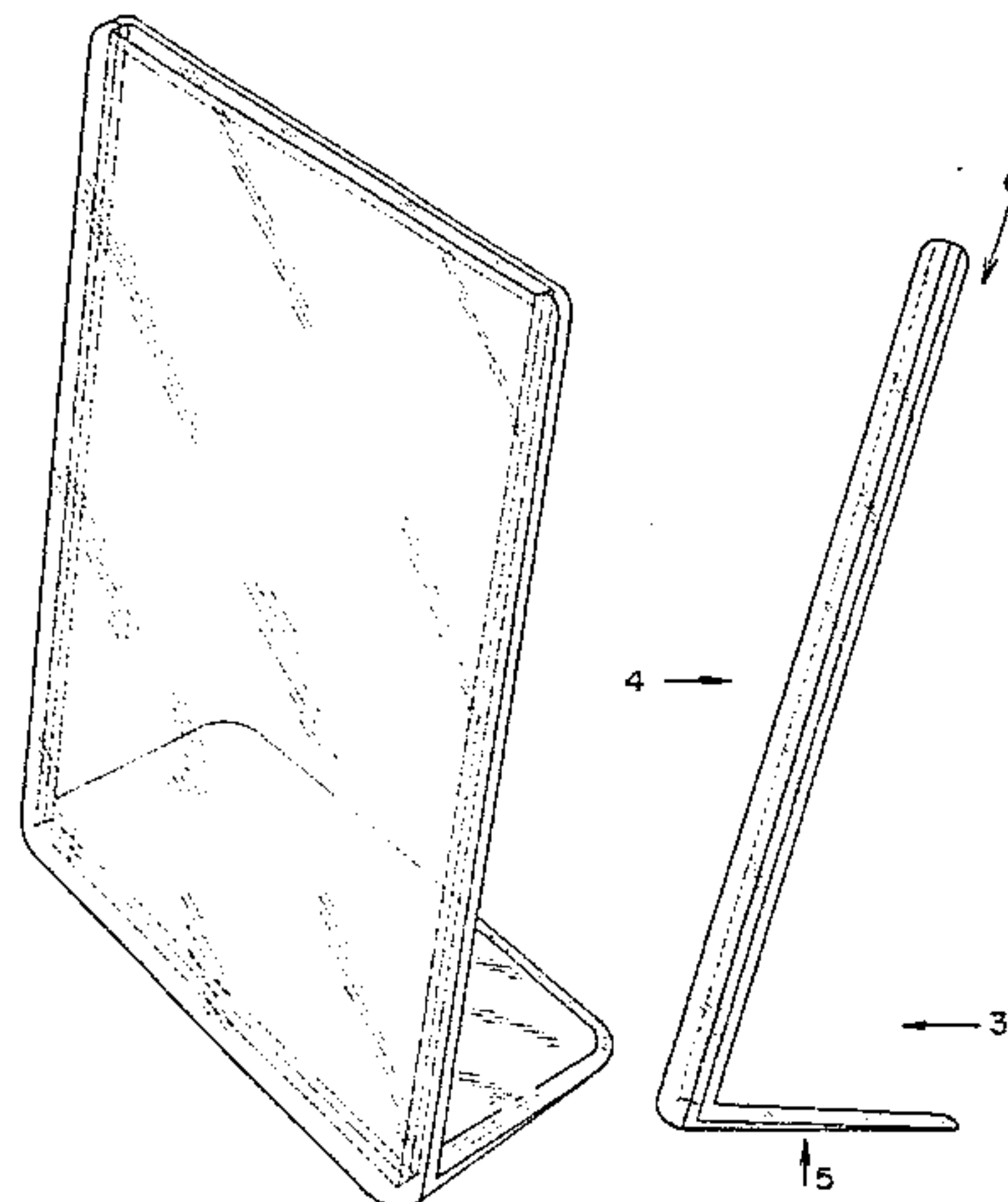


FIG. 16 is a front elevational view of the print holder of FIG. 13;

FIG. 17 is a bottom plan view of the print holder of FIG. 13, taken on the arrow 17 in FIG. 14;

FIG. 18 is a top plan view of the print holder of FIG. 13, taken on the arrow 18 in FIG. 14;

FIG. 19 is a perspective view of a third variation of the print holder of the present invention;

FIG. 20 is a side elevational view of the print holder of FIG. 19;

FIG. 21 is a rear elevational view of the print holder of FIG. 19;

FIG. 22 is a front elevational view of the print holder of FIG. 19;

FIG. 23 is a bottom plan view of the print holder of FIG. 19, taken on the arrow 23 in FIG. 20;

FIG. 24 is a top plan view of the print holder of FIG. 19, taken on the arrow 24 in FIG. 20;

FIG. 25 is a perspective view of a fourth variation of the print holder of the present invention;

FIG. 26 is a side elevational view of the print holder of FIG. 25;

FIG. 27 is a rear elevational view of the print holder of FIG. 25;

FIG. 28 is a front elevational view of the print holder of FIG. 25;

FIG. 29 is a bottom plan view of the print holder of FIG. 25, taken on the arrow 29 in FIG. 26;

FIG. 30 is a top plan view of the print holder of FIG. 25, taken on the arrow 30 in FIG. 26;

FIG. 31 is a perspective view of a fifth variation of the print holder of the present invention;

FIG. 32 is a side elevational view of the print holder of FIG. 31;

FIG. 33 is a rear elevational view of the print holder of FIG. 31;

FIG. 34 is a front elevational view of the print holder of FIG. 31;

FIG. 35 is a bottom plan view of the print holder of FIG. 31, taken on the arrow 35 in FIG. 32; and,

FIG. 36 is a top plan view of the print holder of FIG. 31, taken on the arrow 36 in FIG. 32.

**1 Claim, 12 Drawing Sheets**

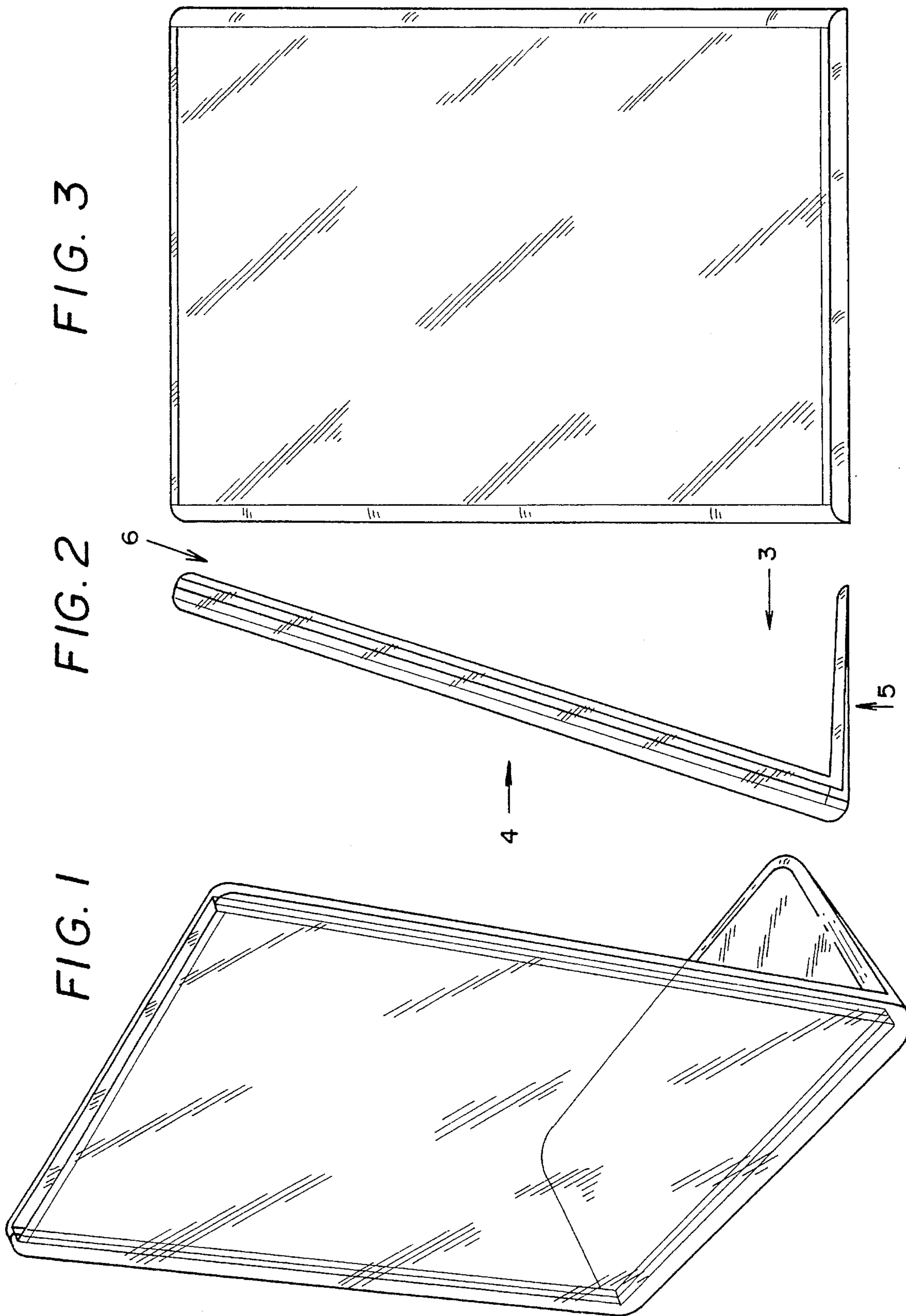


FIG. 3

FIG. 2

FIG. 1



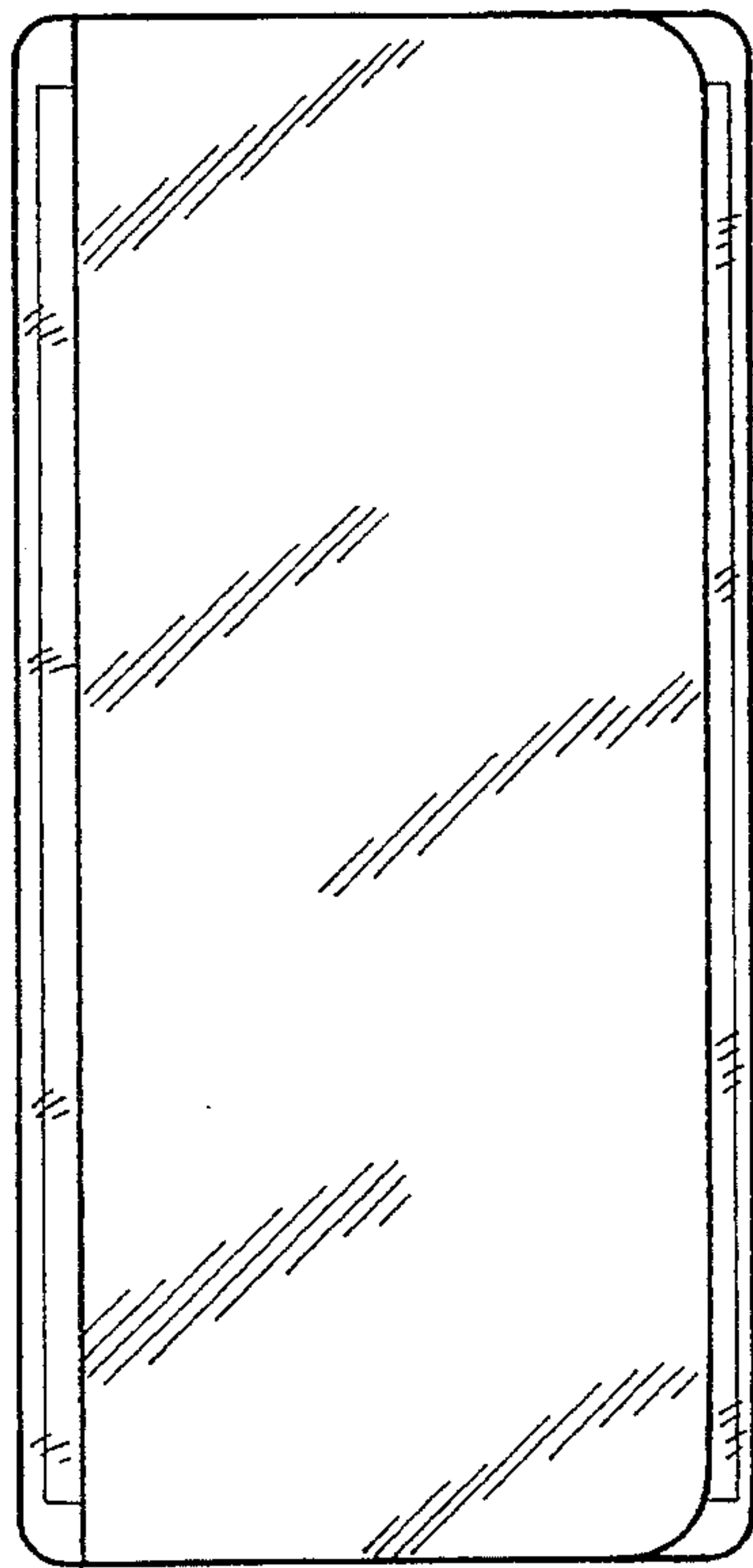


FIG. 5

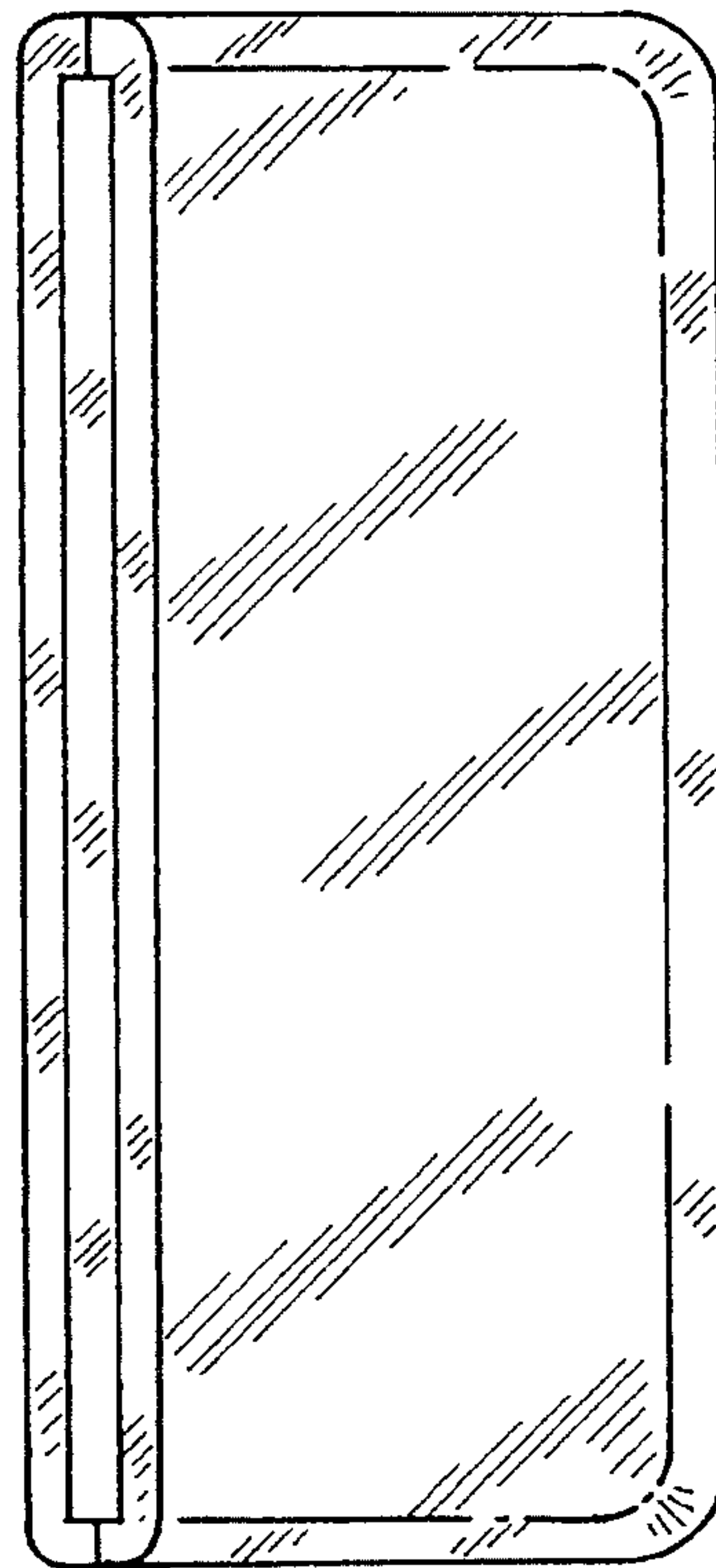


FIG. 6

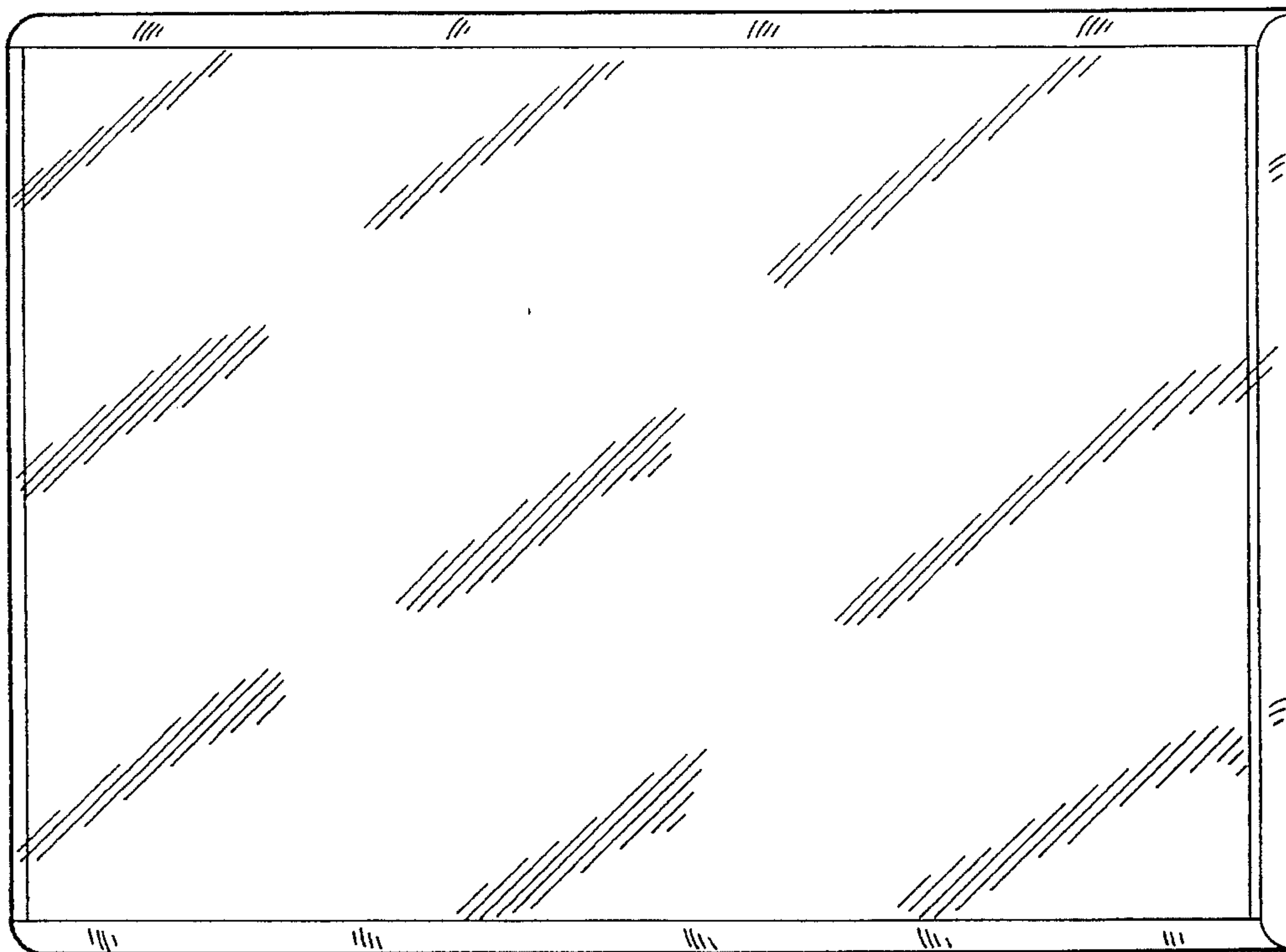


FIG. 4

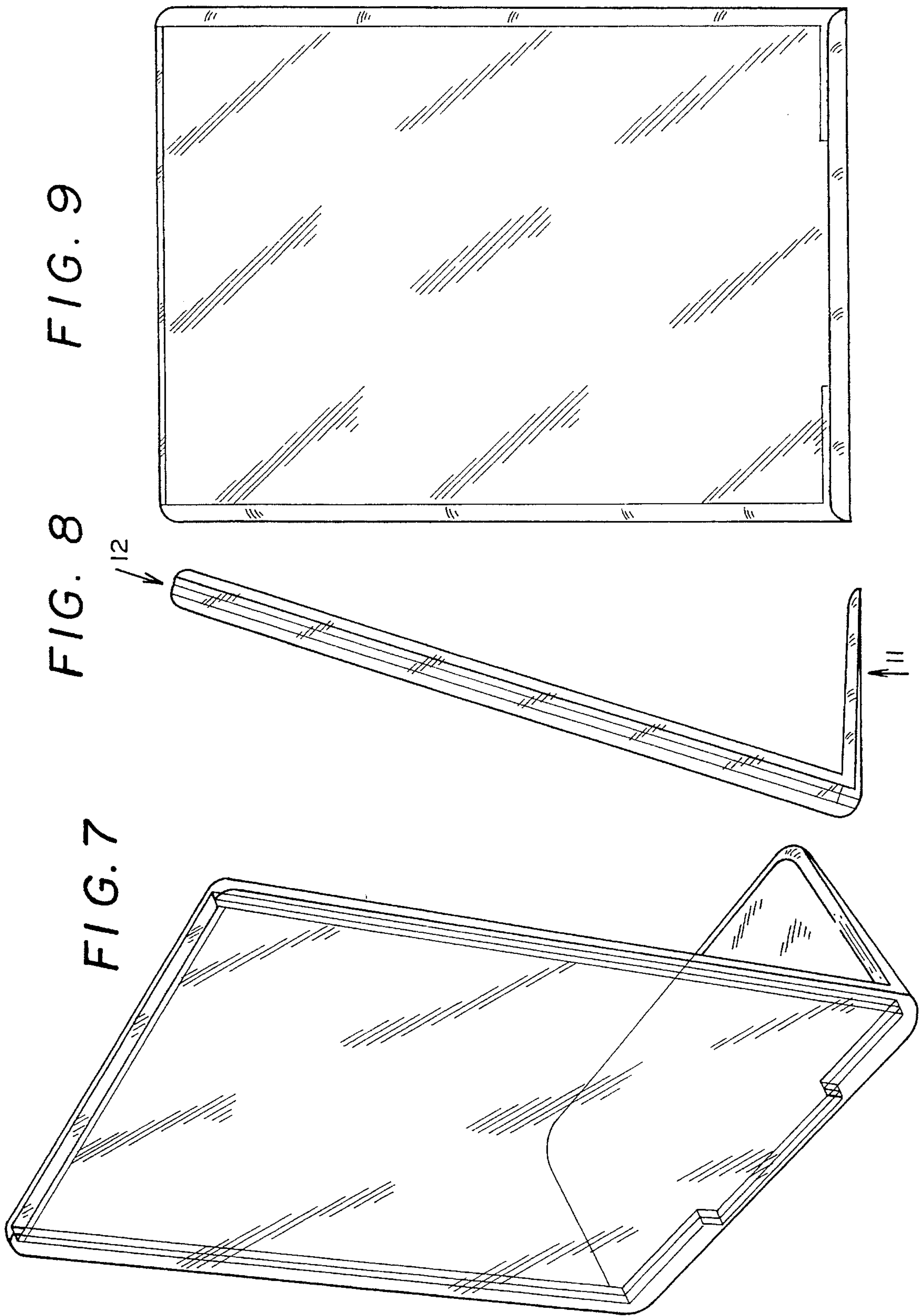


FIG. 9

FIG. 8

FIG. 7

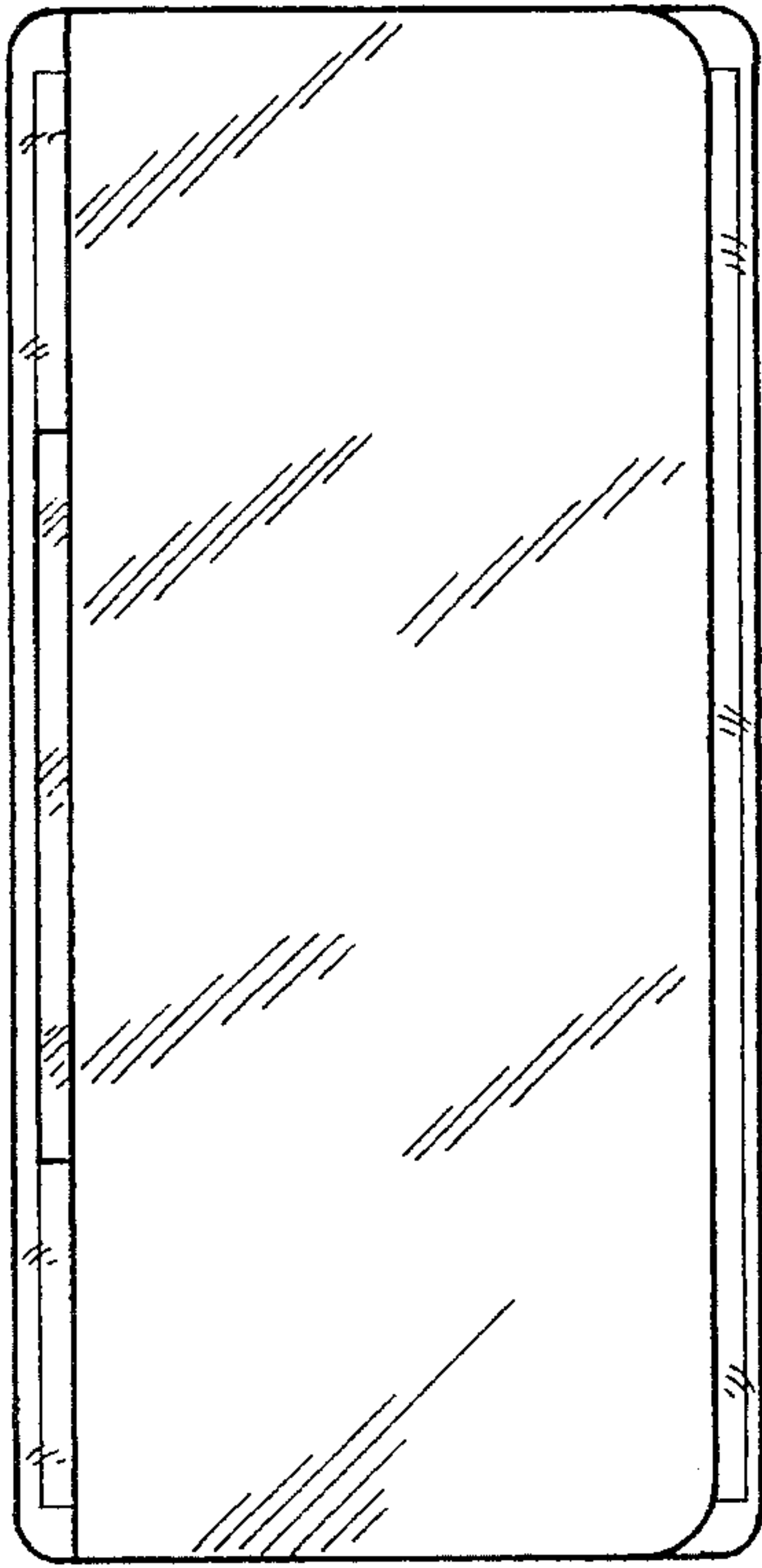


FIG. 11

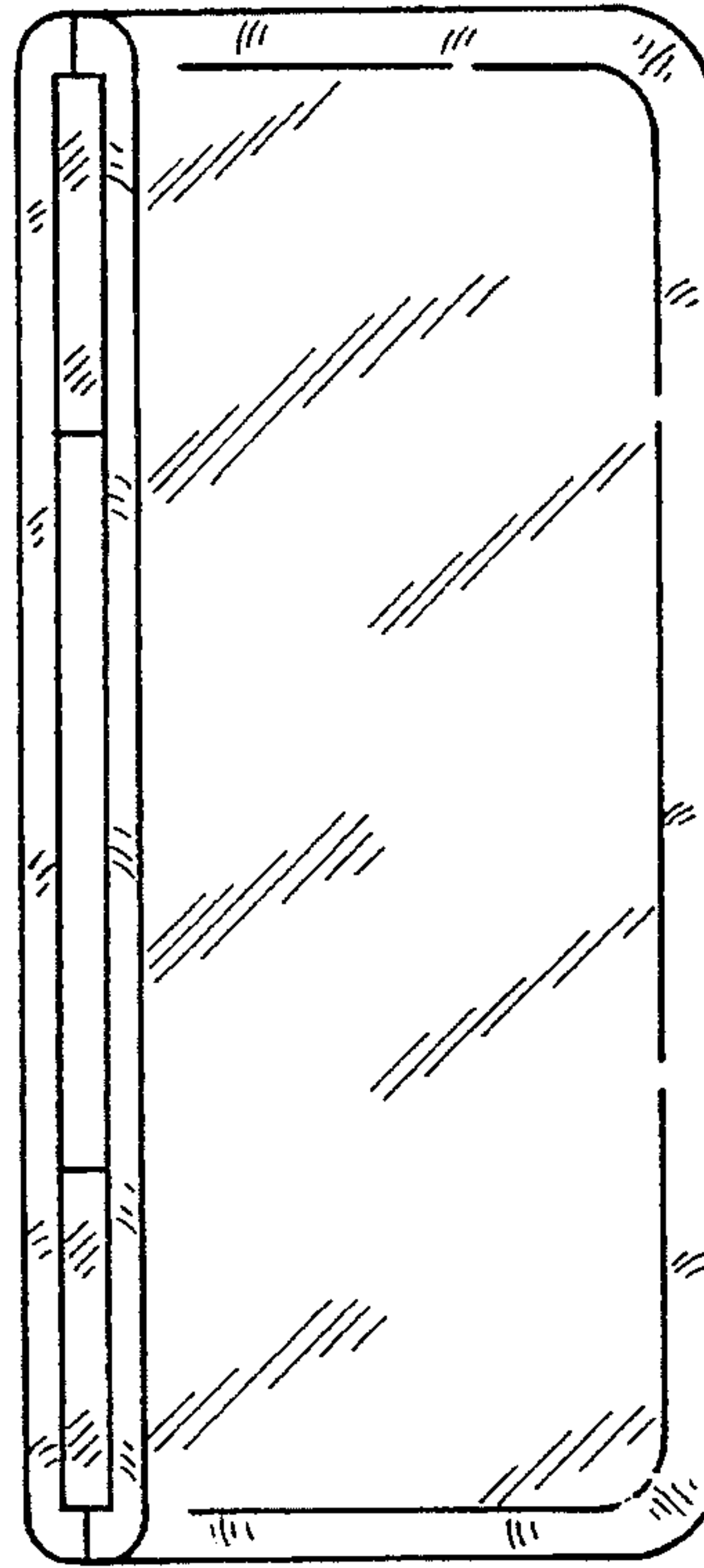


FIG. 12

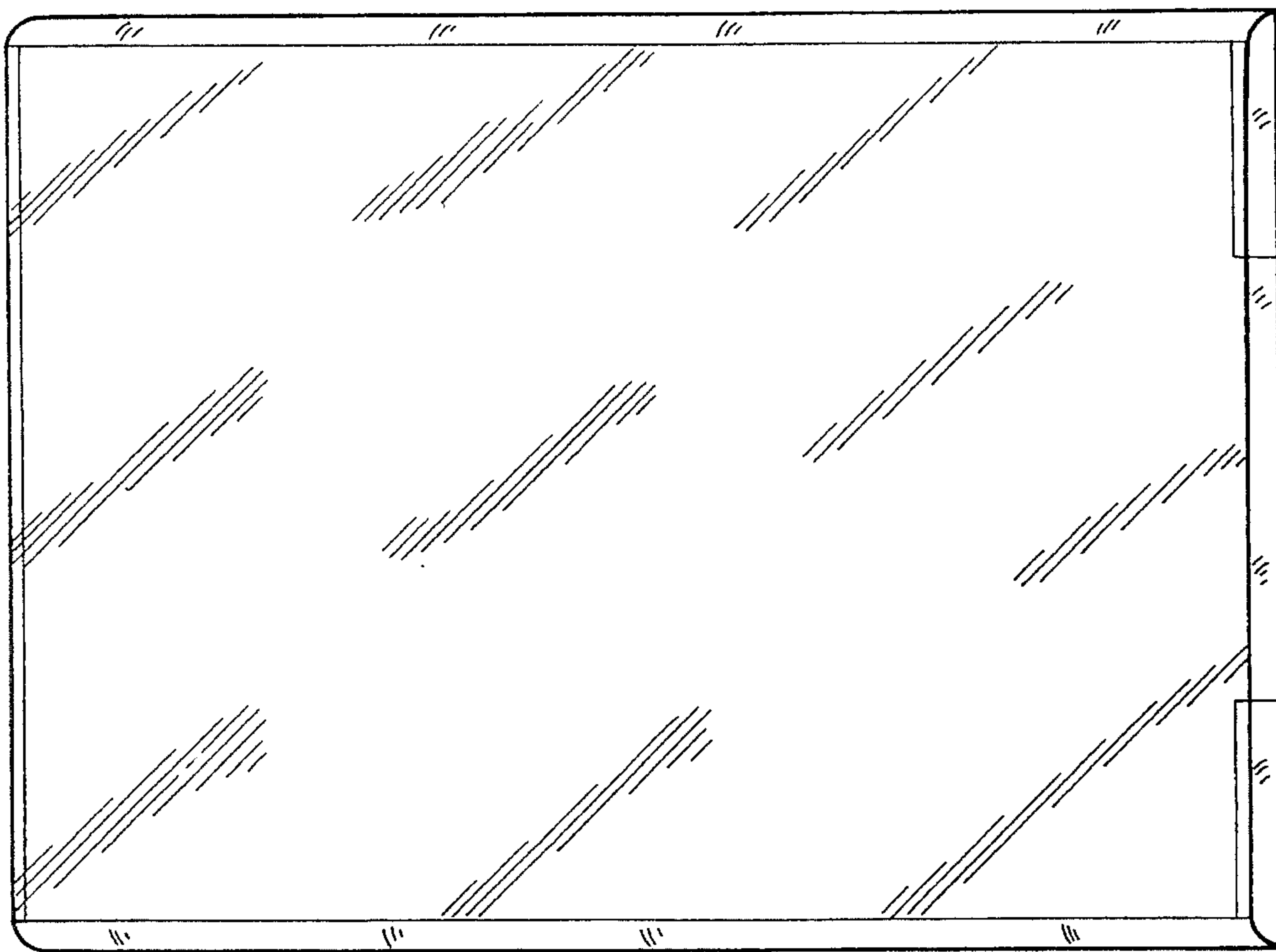


FIG. 10

FIG. 15

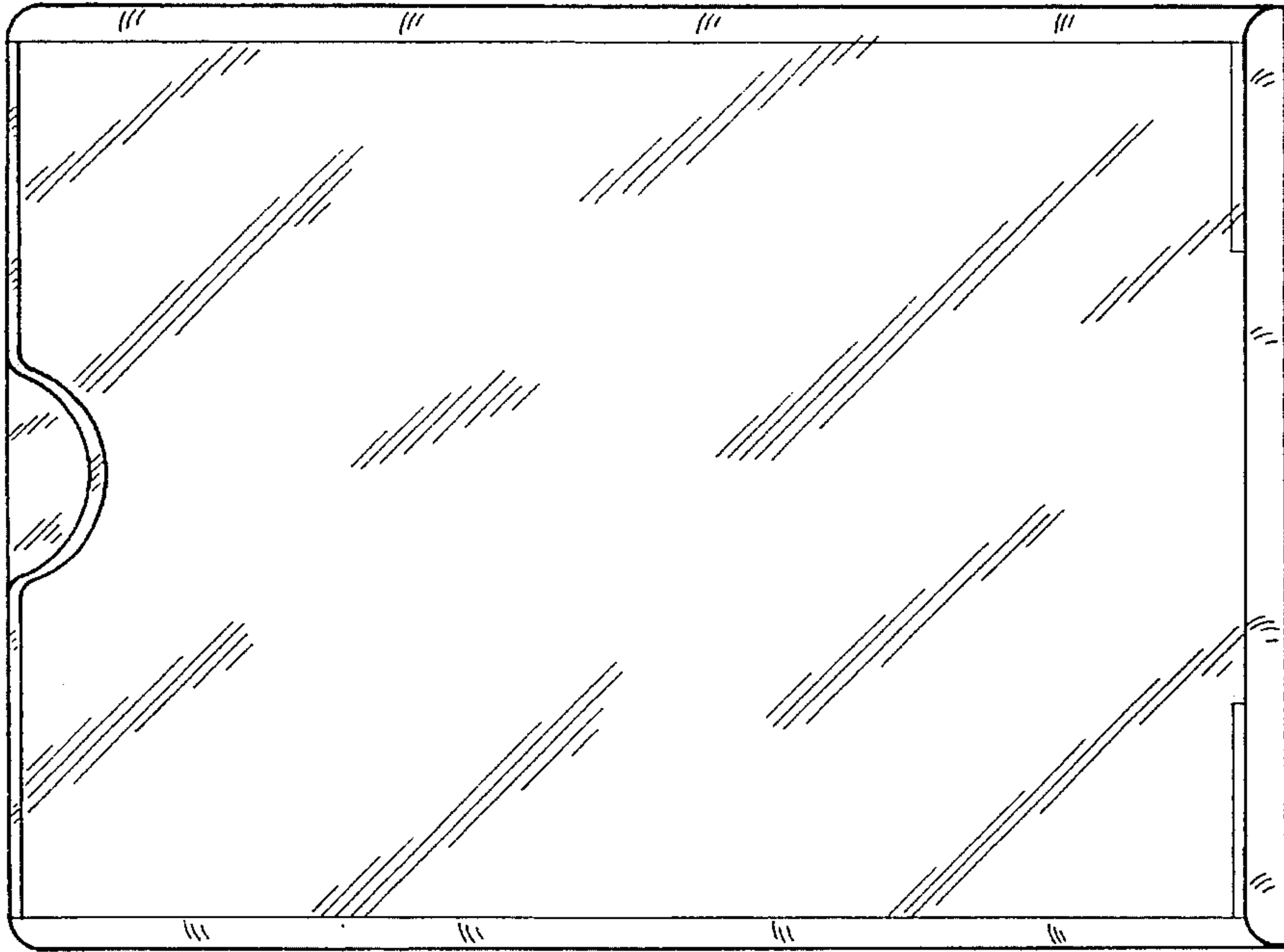


FIG. 14

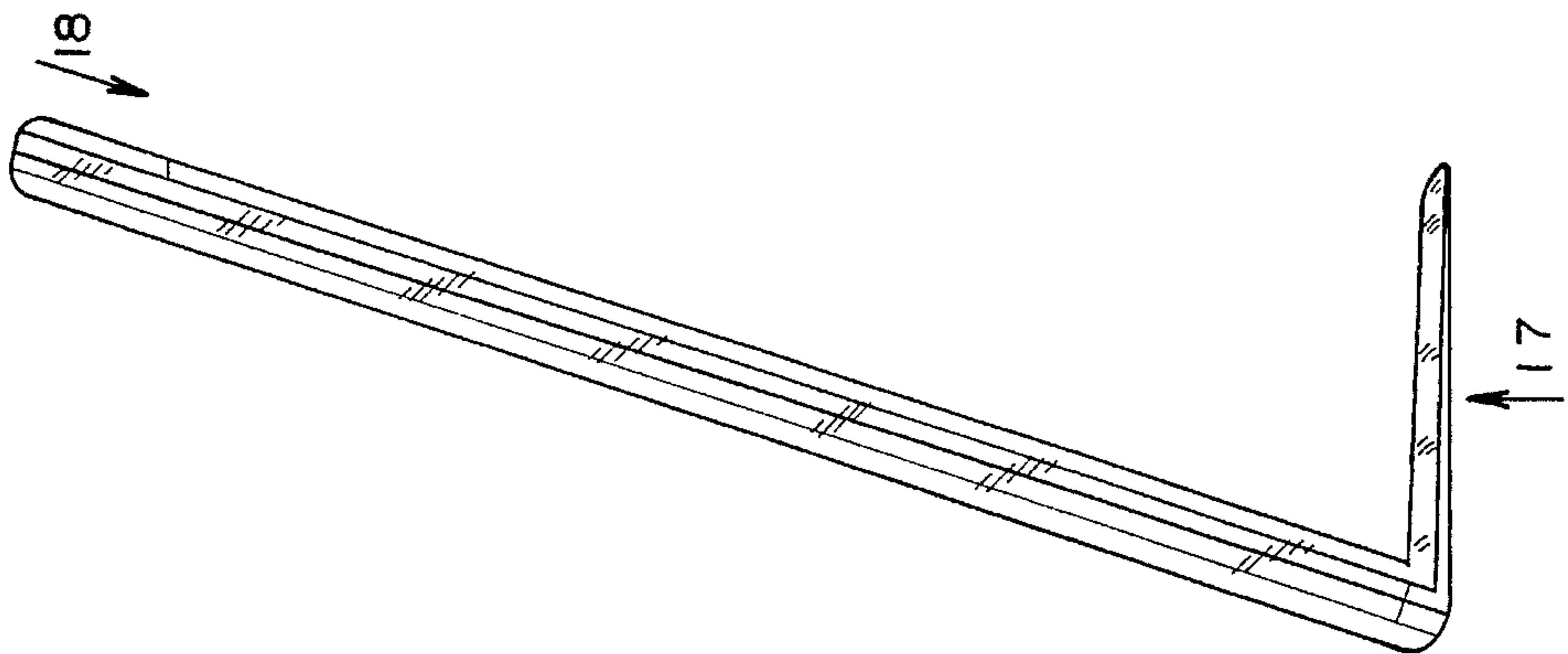
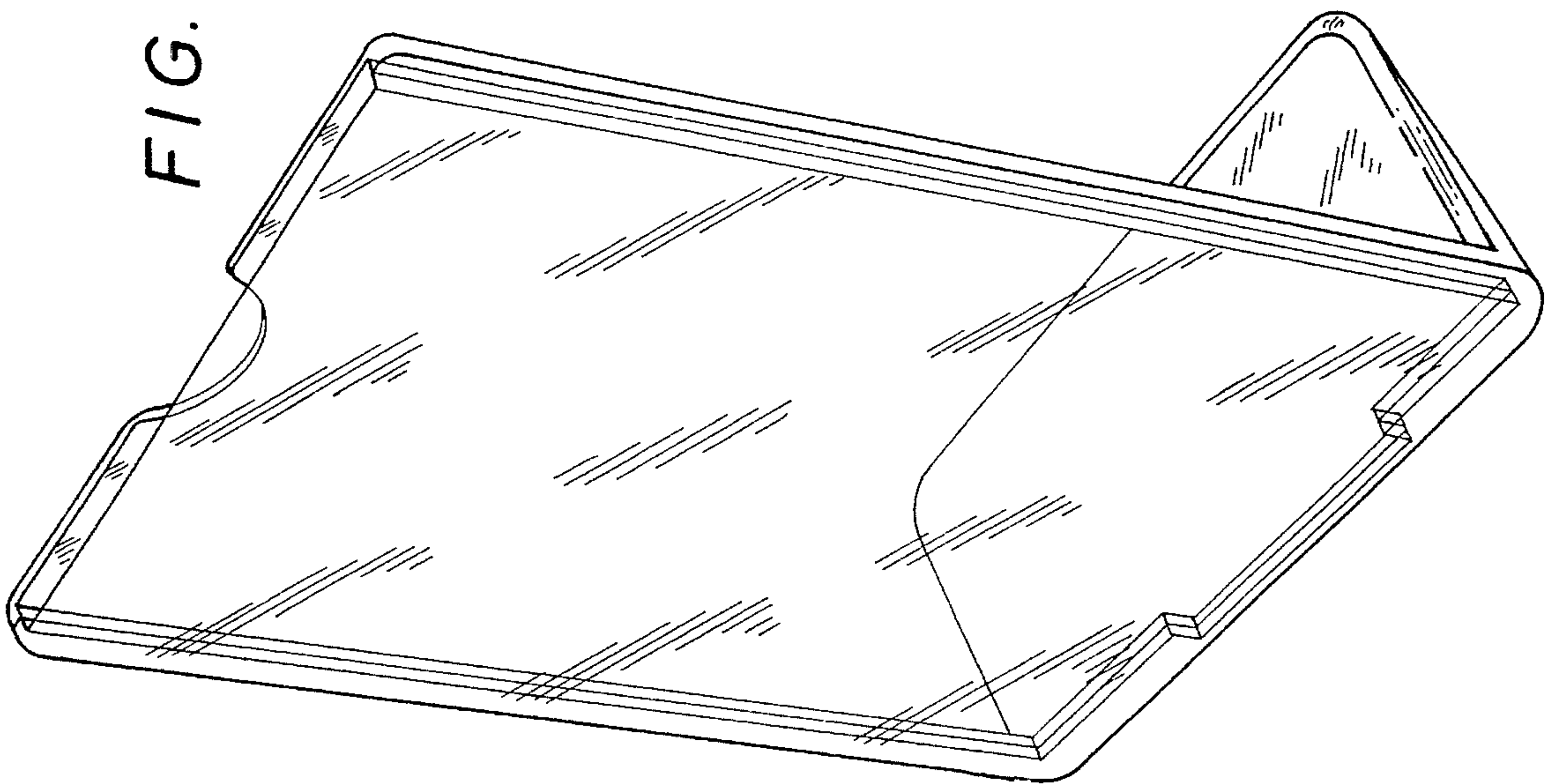


FIG. 13





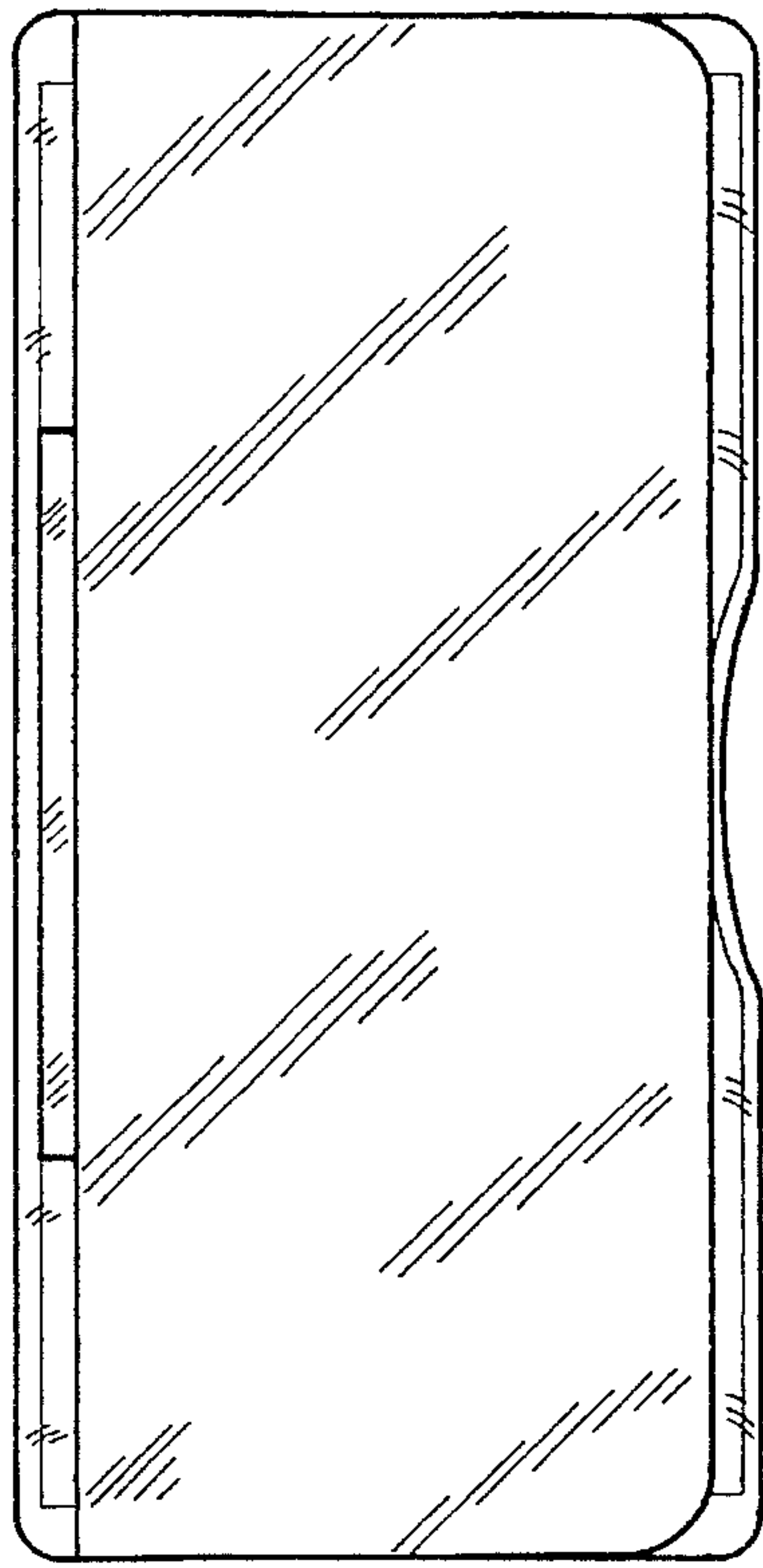


FIG. 17

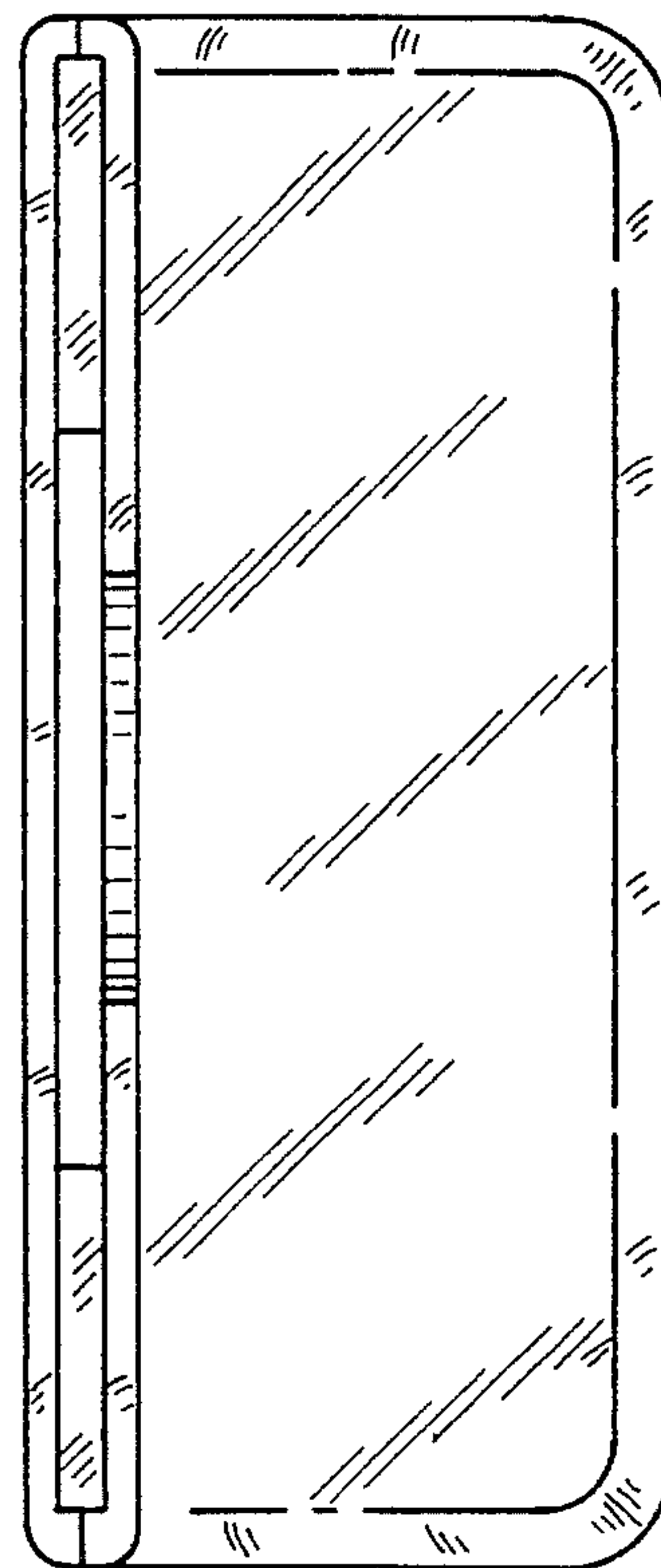


FIG. 18

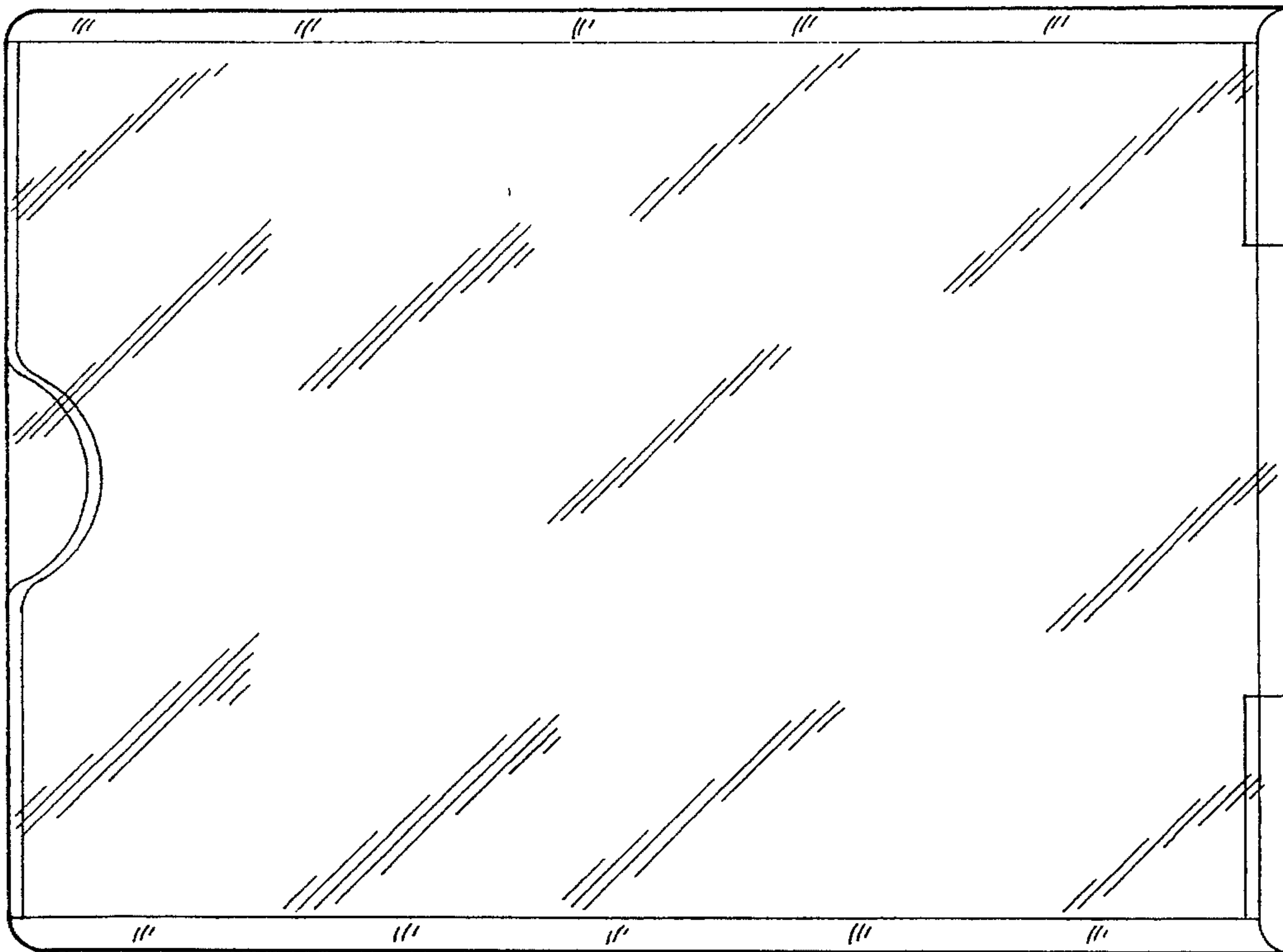


FIG. 16



FIG. 21

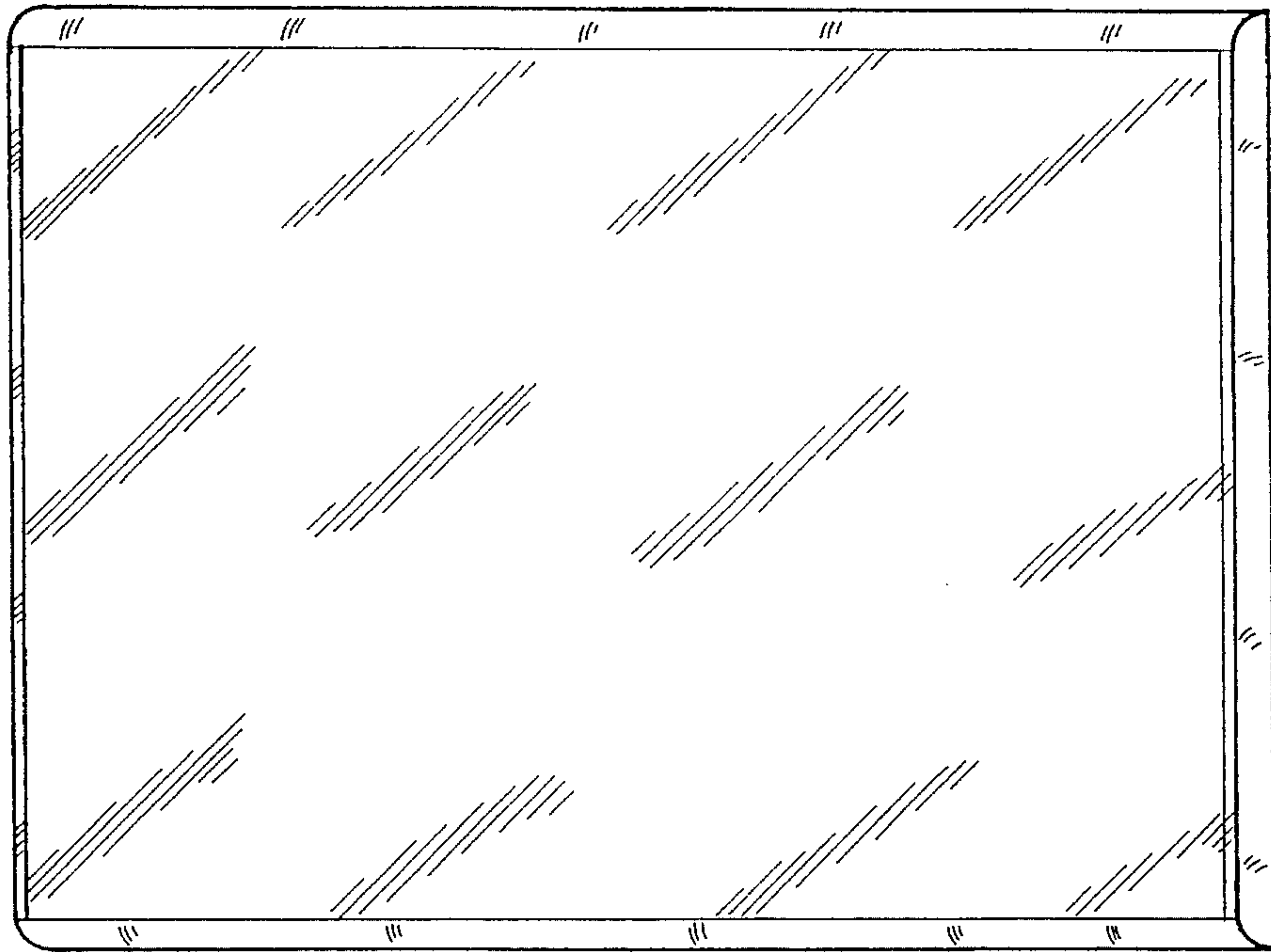
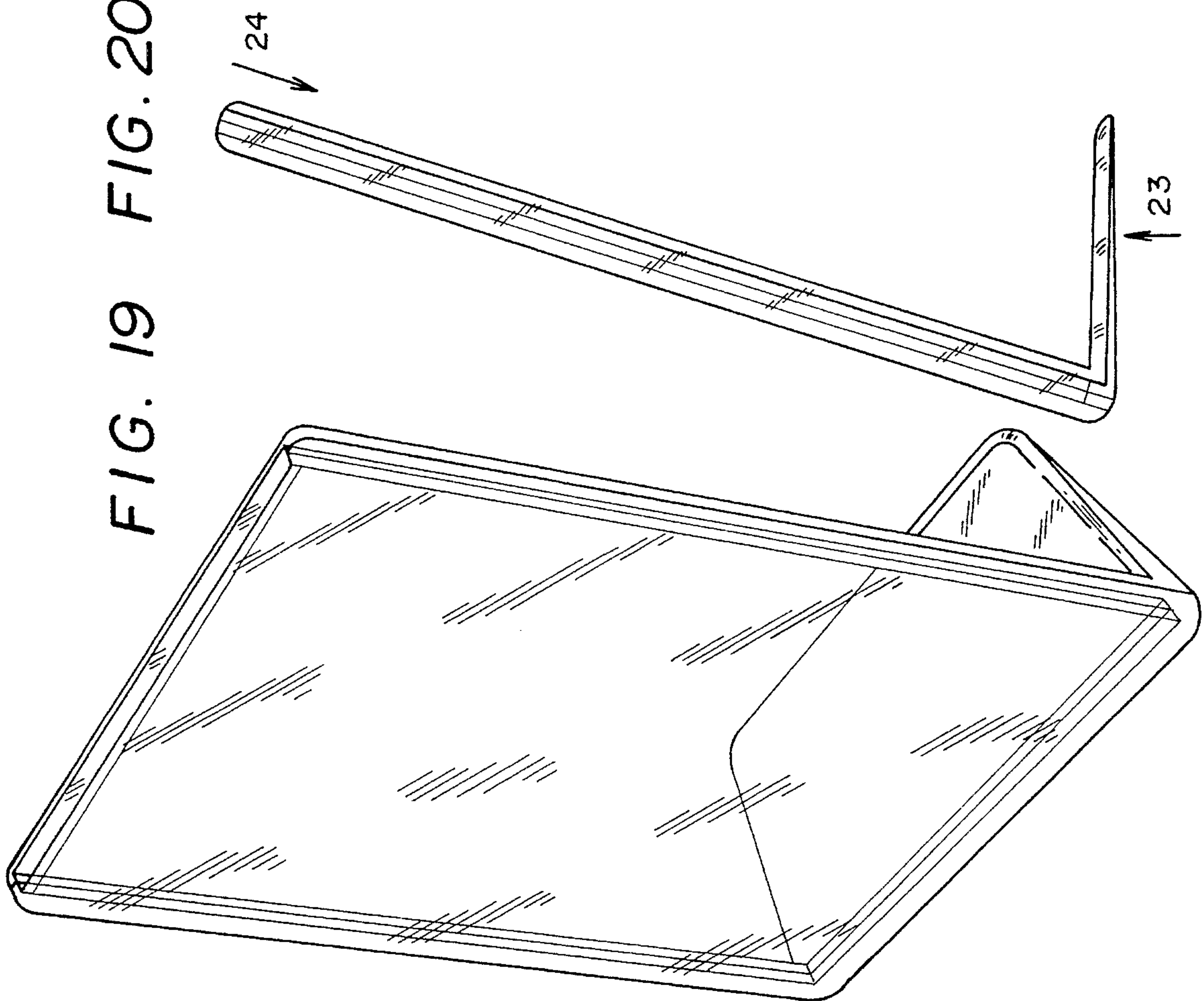


FIG. 19 FIG. 20



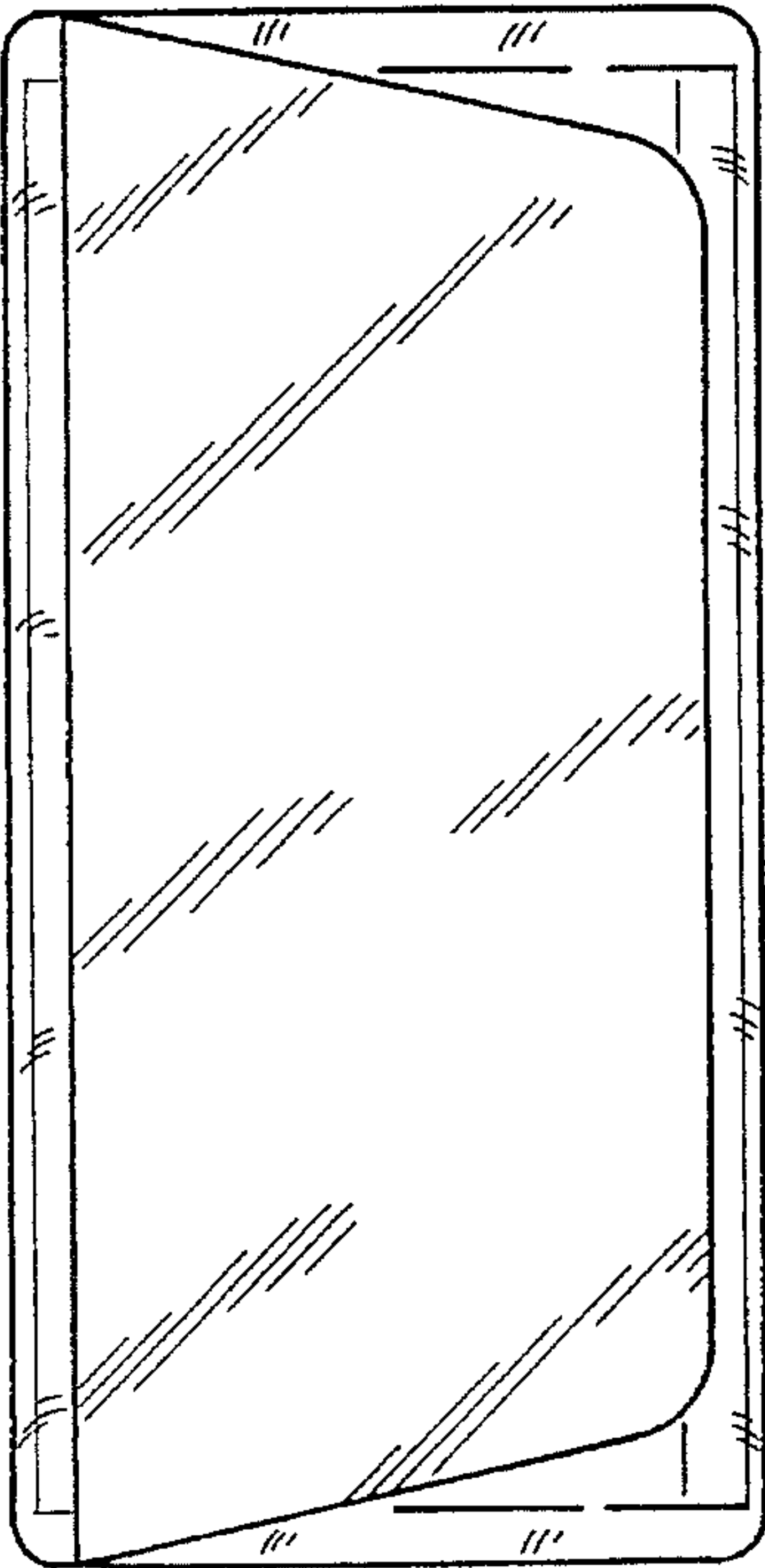


FIG. 23

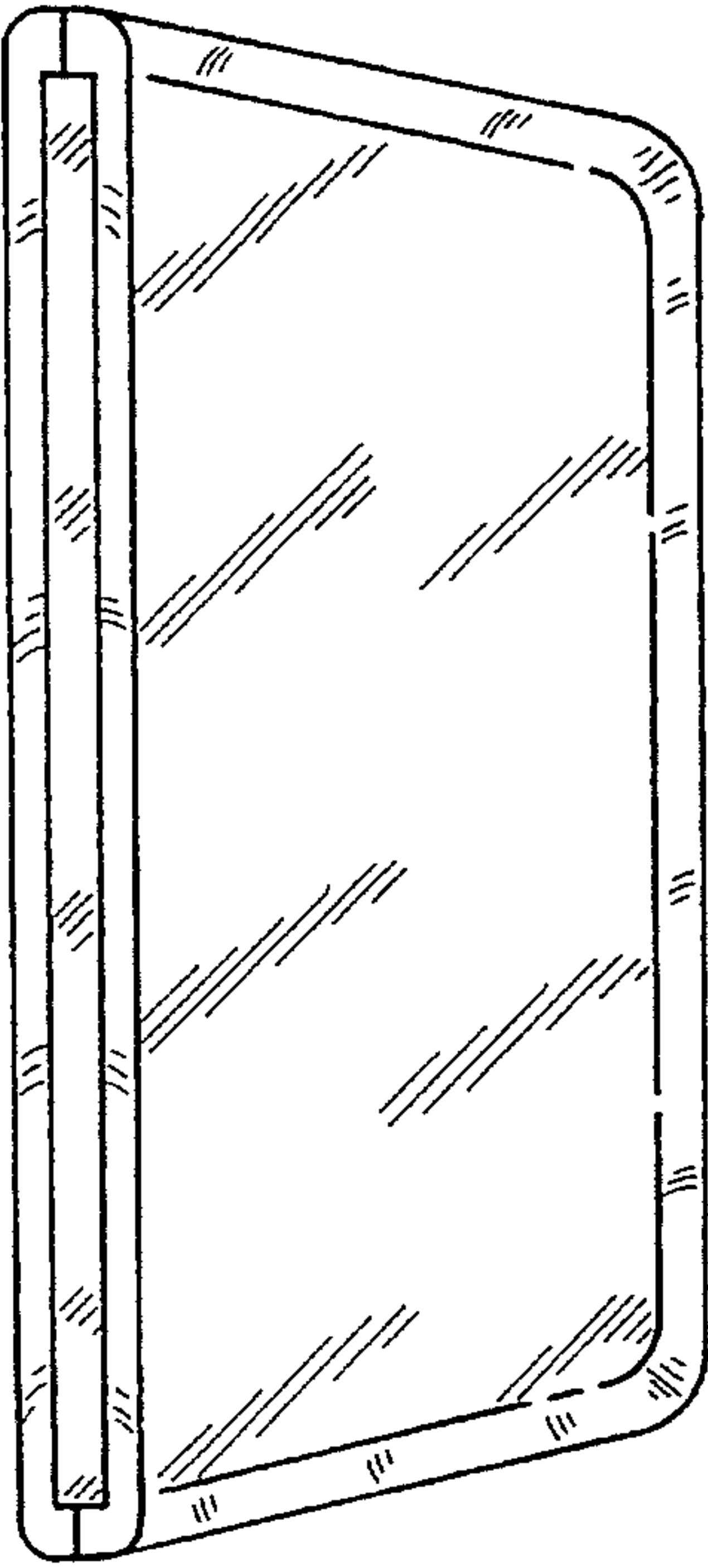


FIG. 24

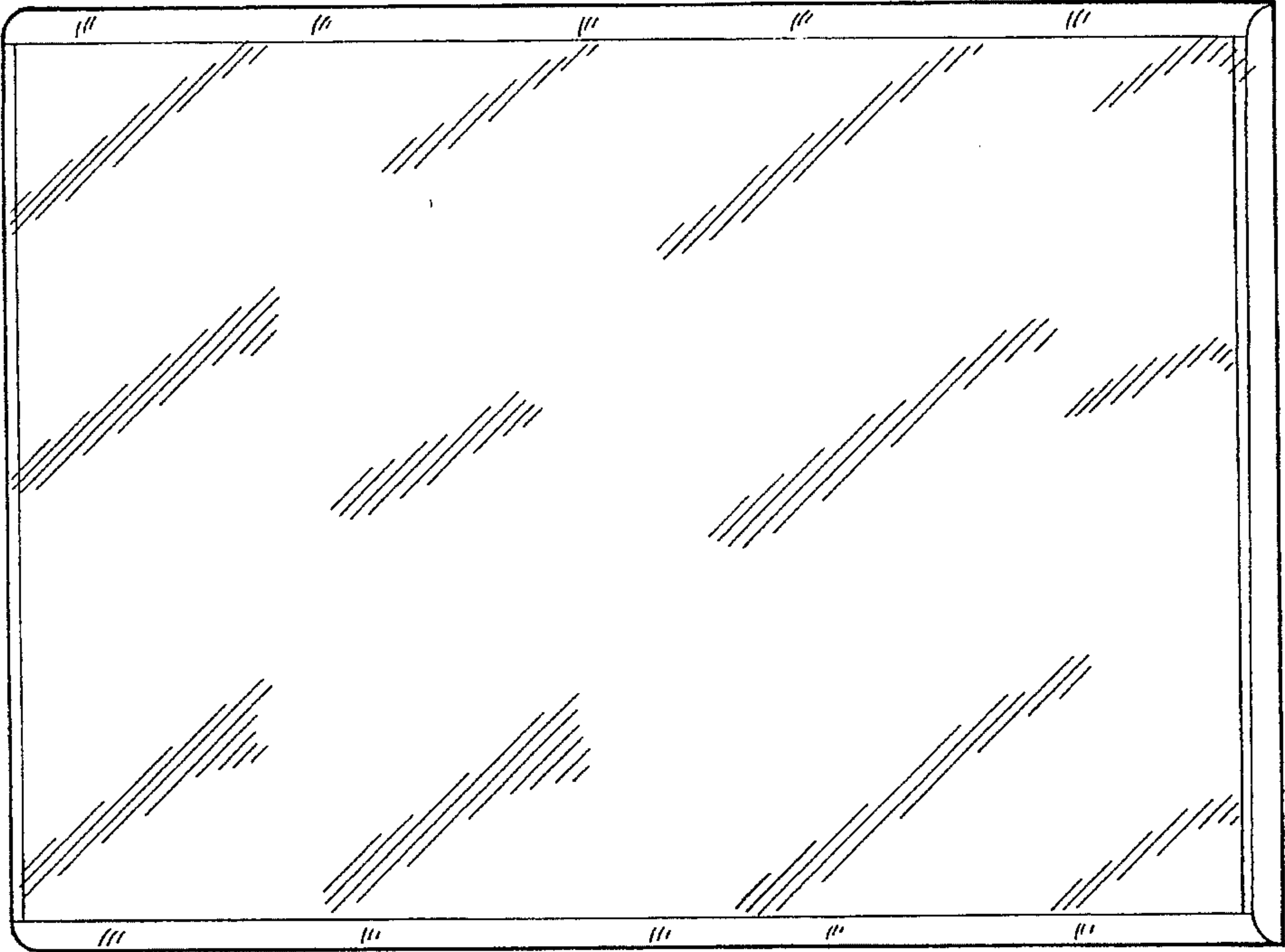


FIG. 22

FIG. 27

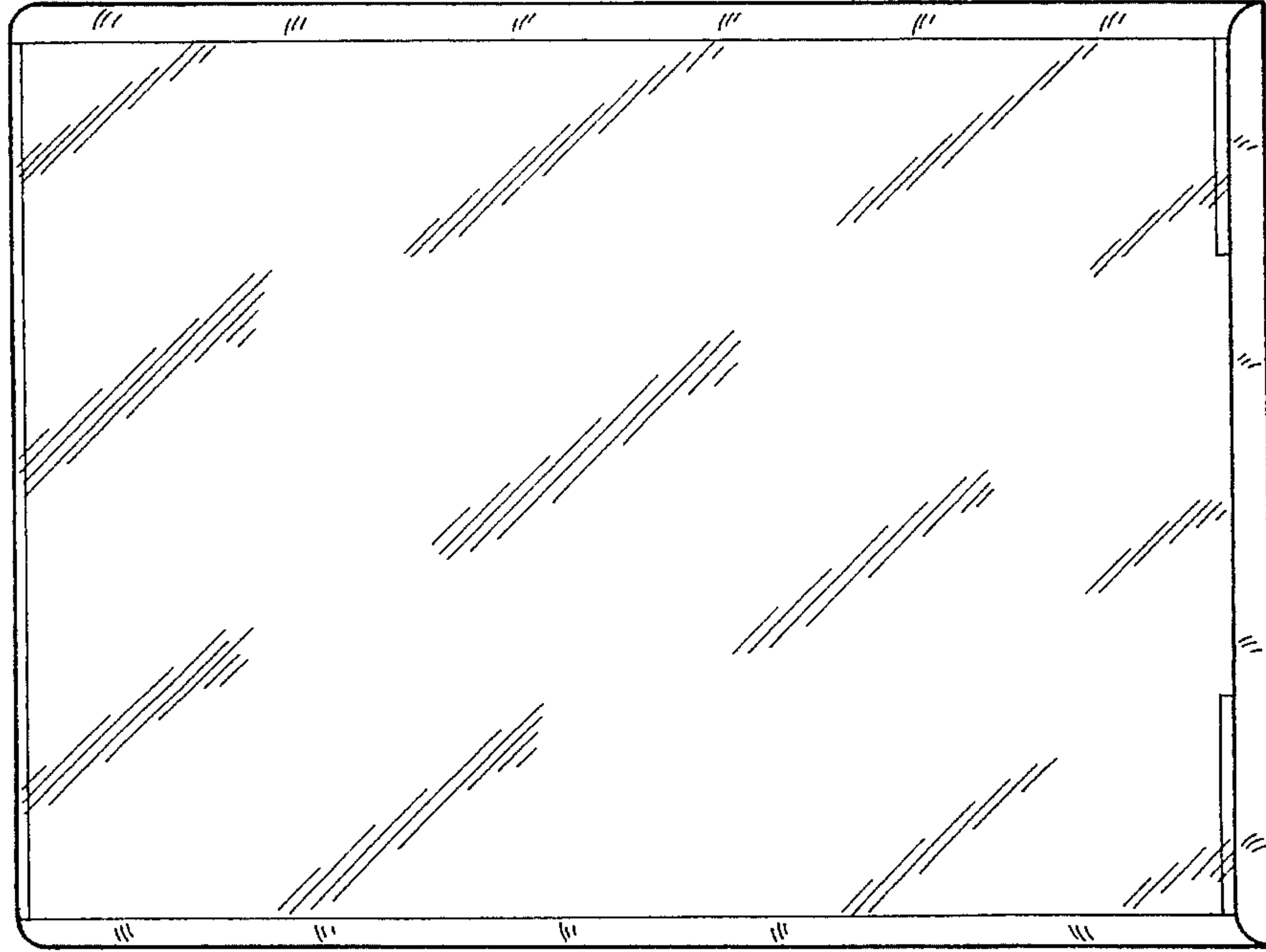


FIG. 26

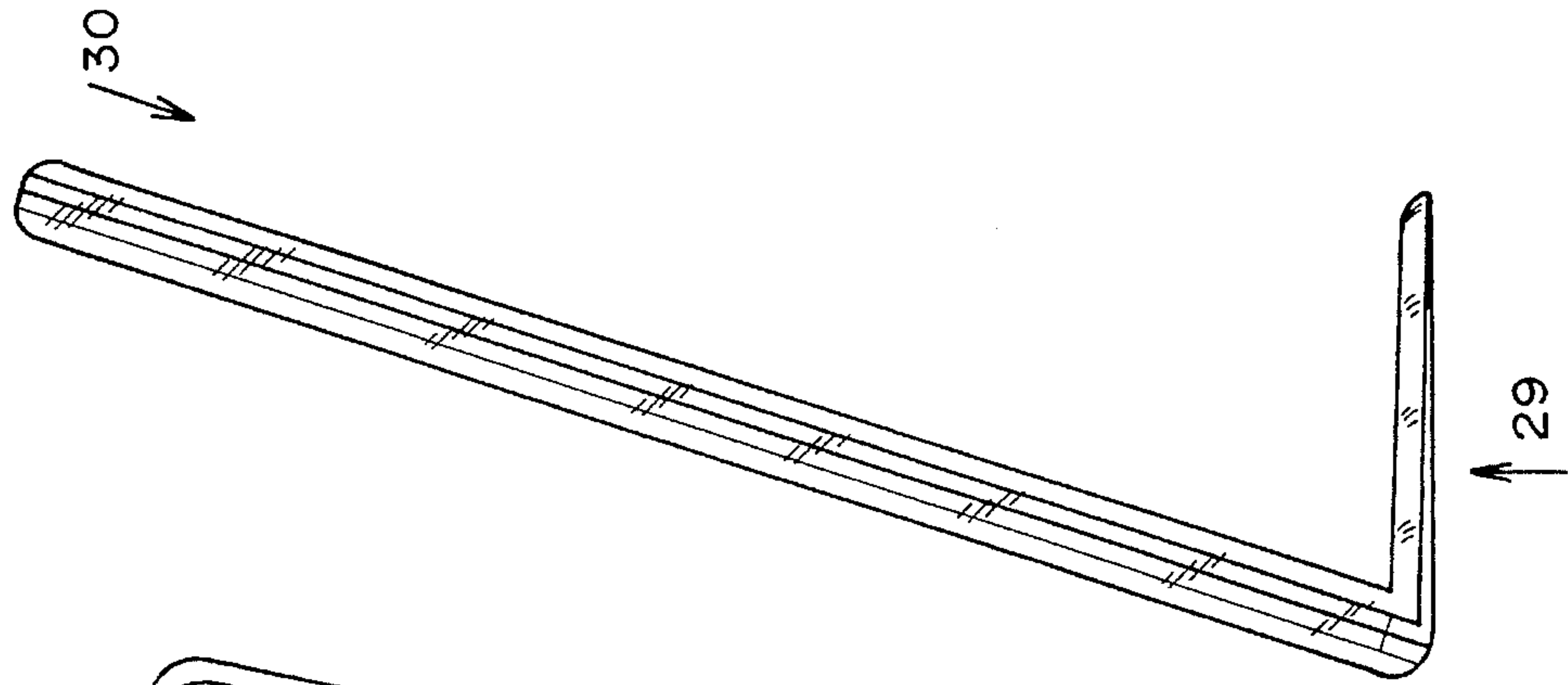
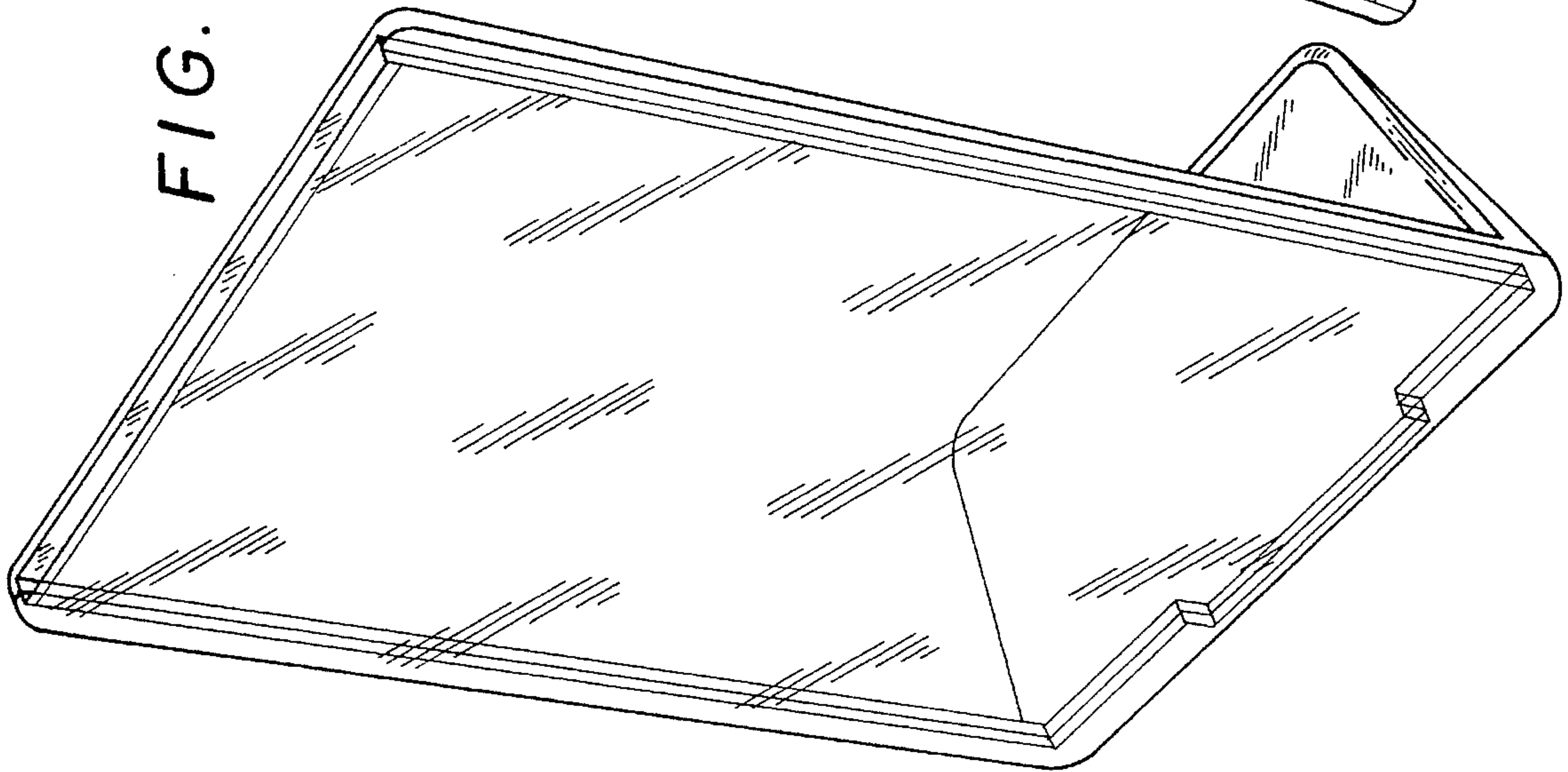


FIG. 25





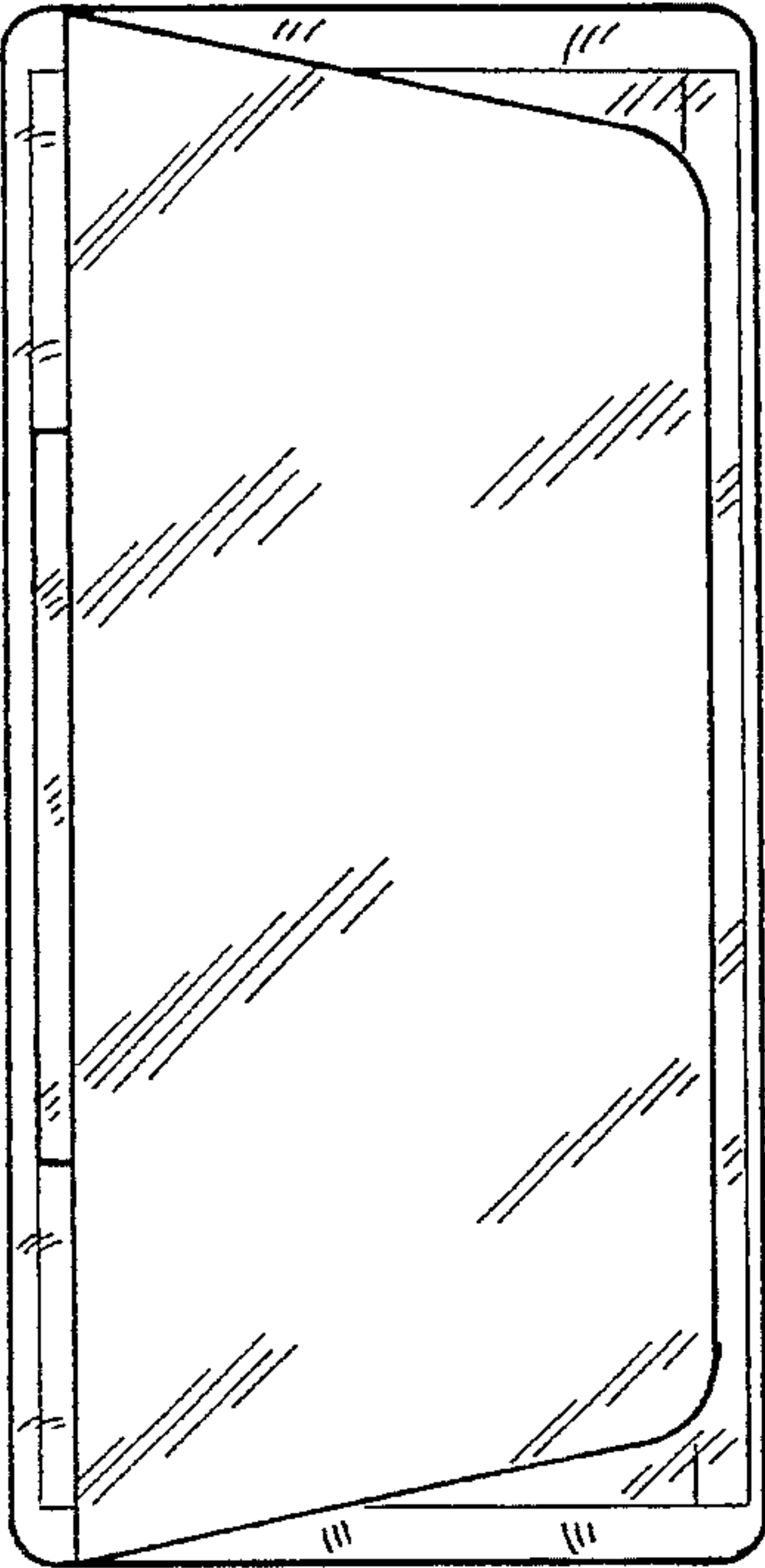


FIG. 29

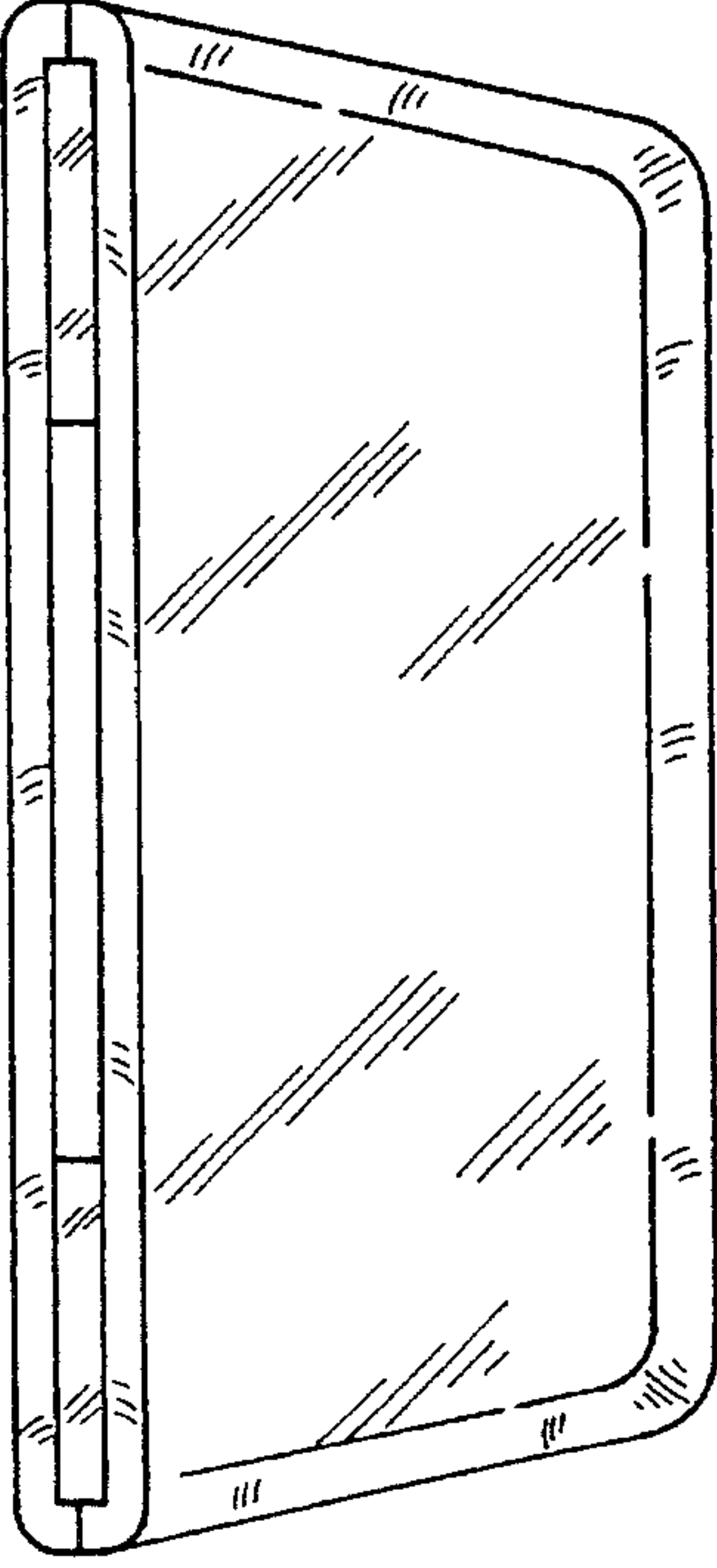


FIG. 30

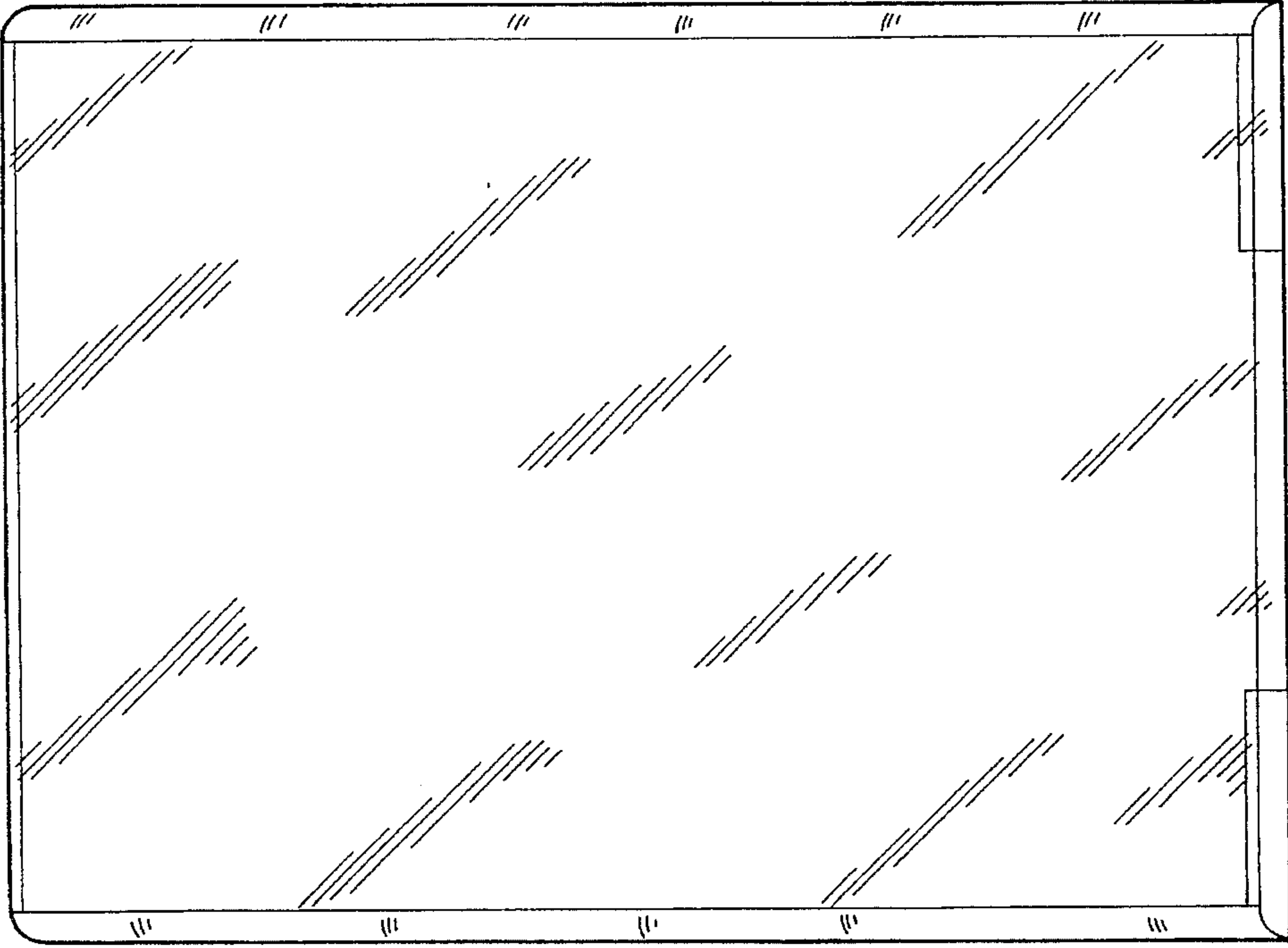


FIG. 28

FIG. 33

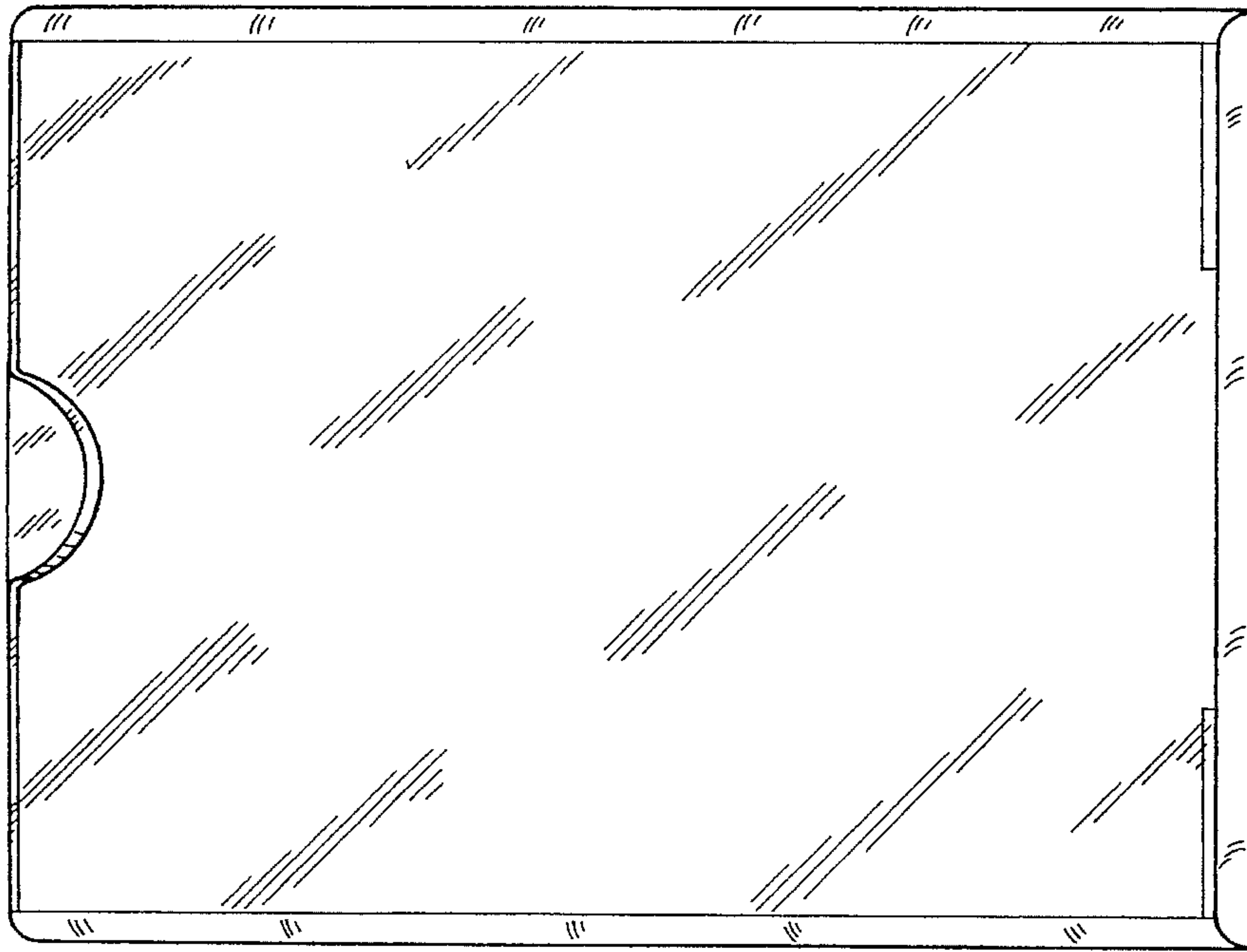
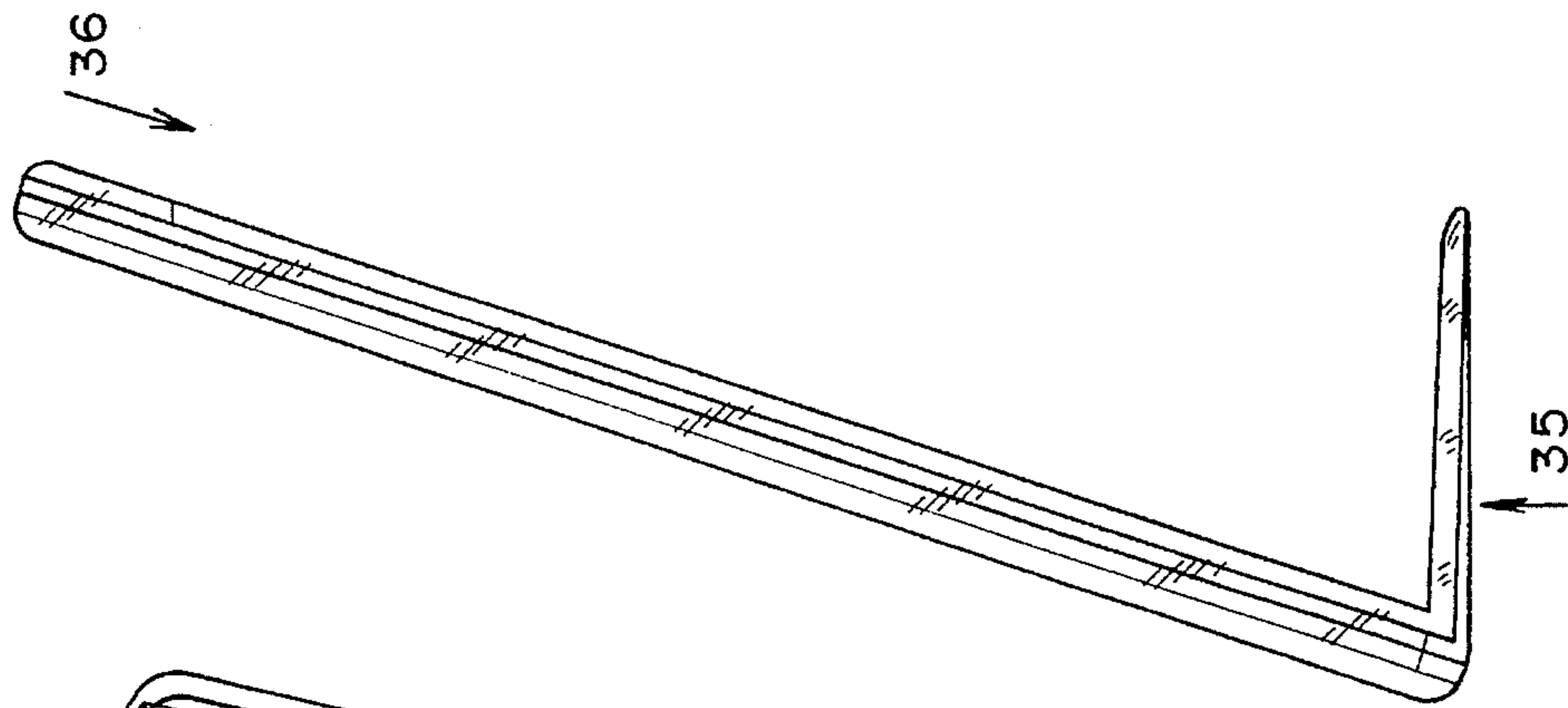
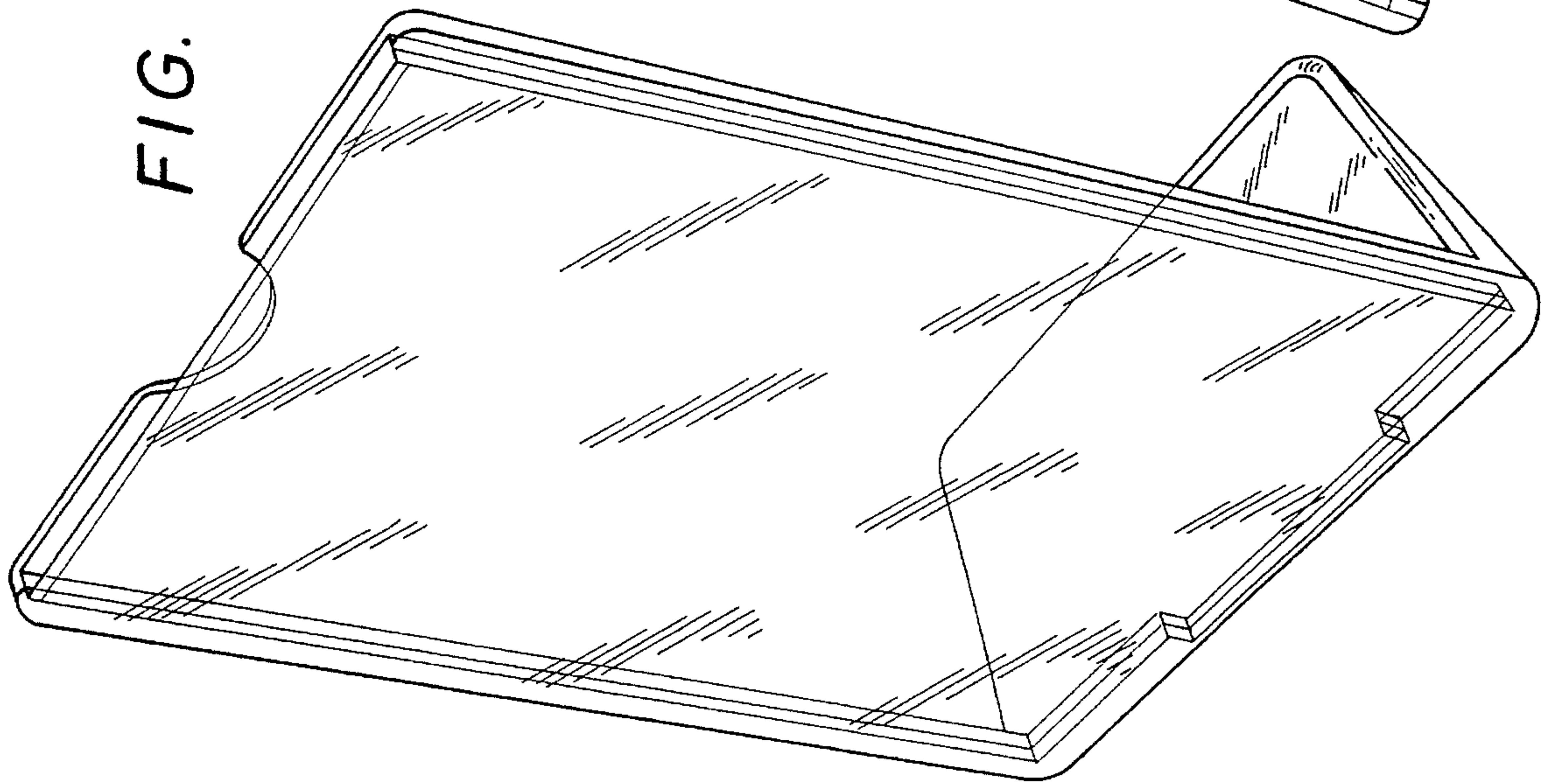


FIG. 31



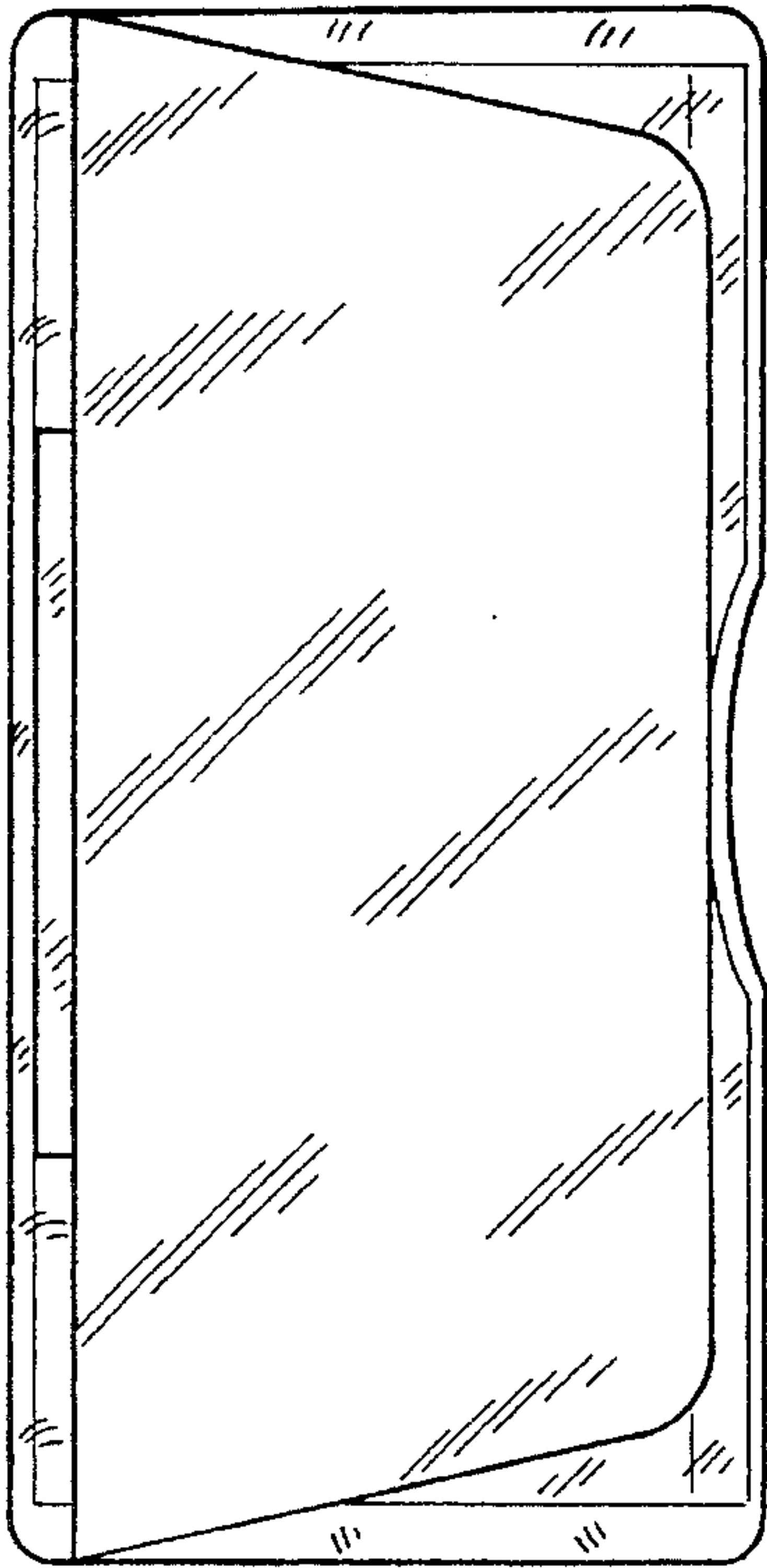


FIG. 35

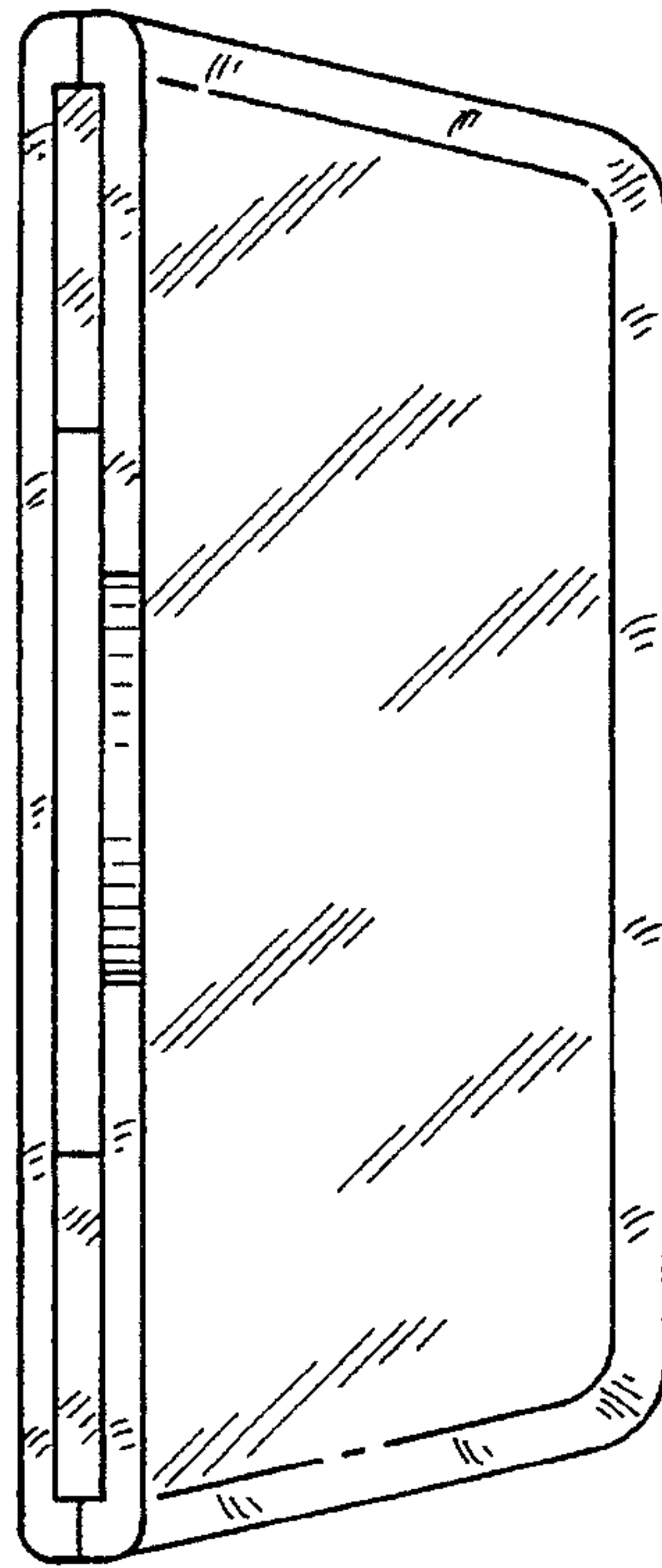


FIG. 36

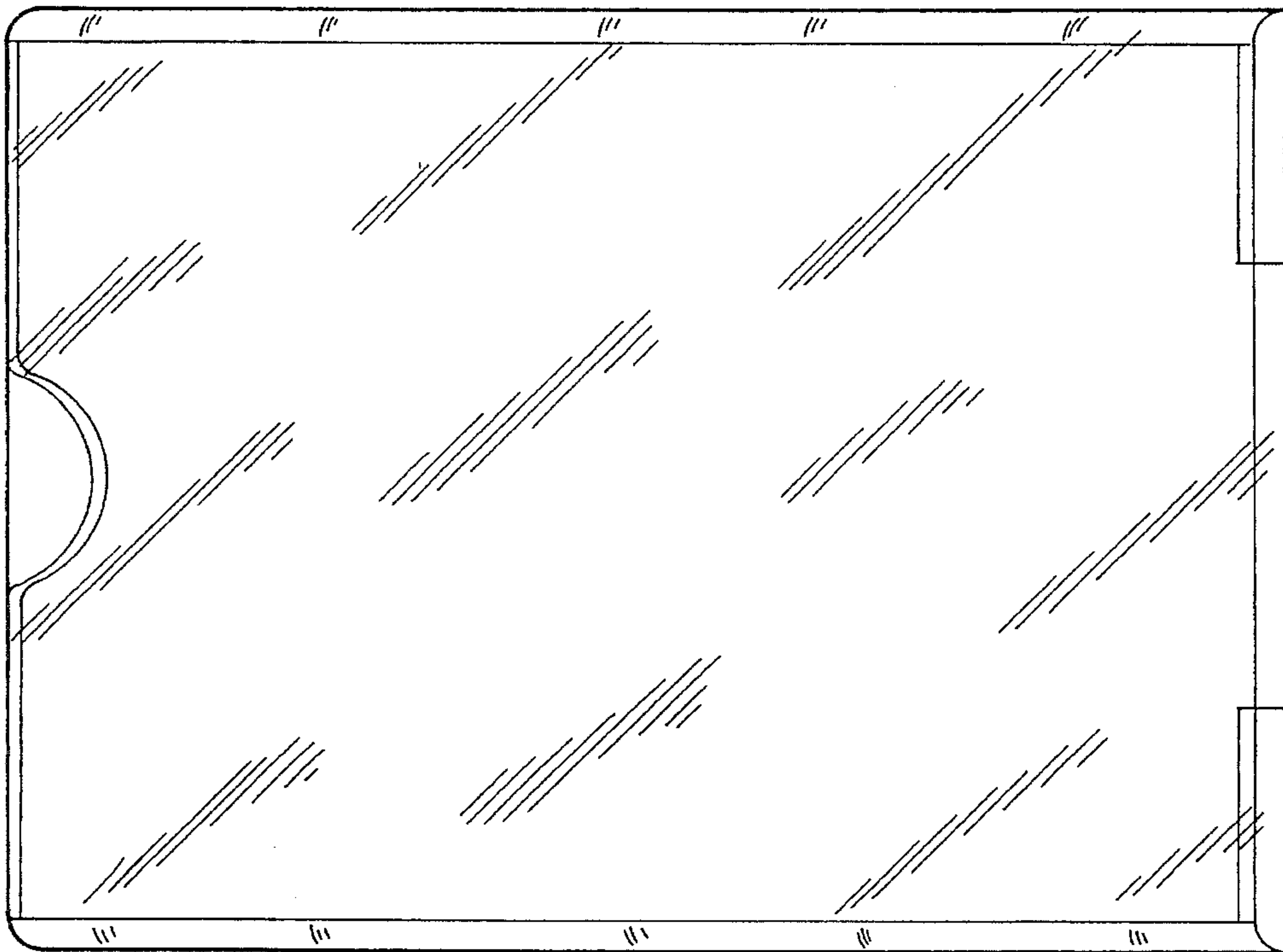


FIG. 34