



US00D370348S

United States Patent [19]
McElheney

[11] **Patent Number: Des. 370,348**

[45] **Date of Patent: **Jun. 4, 1996**

[54] **BRUSH FOR GOLF CART WHEEL**

[76] Inventor: **Paul McElheney**, 4643 Emily Ct.,
Castro Valley, Calif. 94546

[**] Term: **14 Years**

[21] Appl. No.: **1,975**

[22] Filed: **Nov. 27, 1992**

[52] U.S. Cl. **D4/120; D4/130**

[58] **Field of Search** D4/119-120, 130,
D4/132; 15/105-106, 145, 159.1, 160, 161,
176.1

[56] **References Cited**

U.S. PATENT DOCUMENTS

D. 189,287	11/1960	Dobbins	D4/120 X
D. 278,390	4/1985	Bailey	D4/130 X
617,397	1/1899	Hoyt	15/160
725,843	4/1903	Henn, Jr.	15/160
1,275,861	8/1918	Danielson	15/161

Primary Examiner—A. Hugo Word
Assistant Examiner—Lavone Tabor
Attorney, Agent, or Firm—Linval B. Castle

[57] **CLAIM**

The ornamental design for a brush for golf cart wheel, as shown and described.

DESCRIPTION

FIG. 1 is a front view of a brush for golf cart wheel showing my new design, the opposite side being a mirror image thereof;

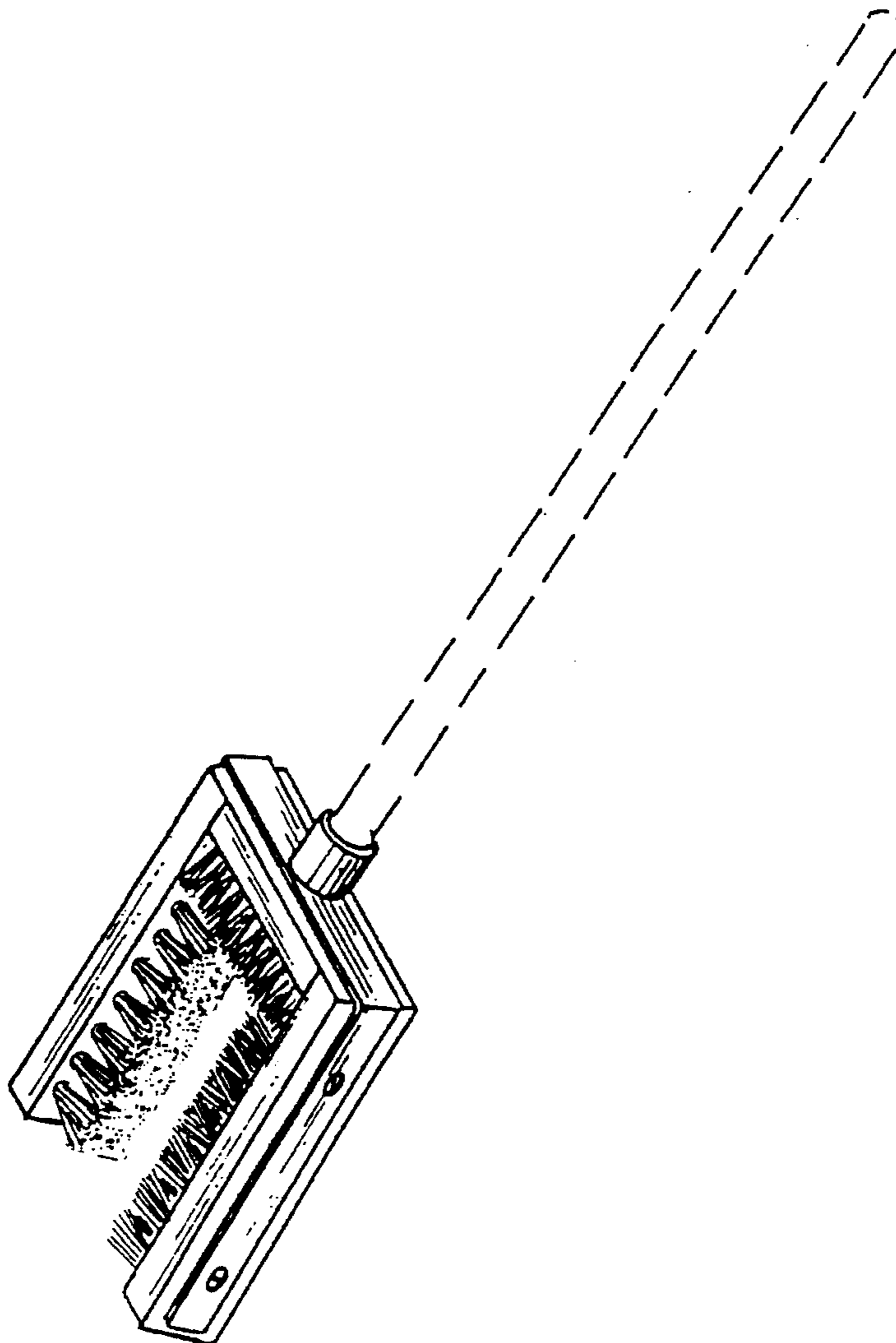
FIG. 2 is a side view thereof, the opposite side being a mirror image thereof;

FIG. 3 is a top plan view thereof;

FIG. 4 is a bottom plan view thereof; and,

FIG. 5 is a reduced perspective view thereof; the dashed line representing a handle and forming no part thereof.

1 Claim, 1 Drawing Sheet



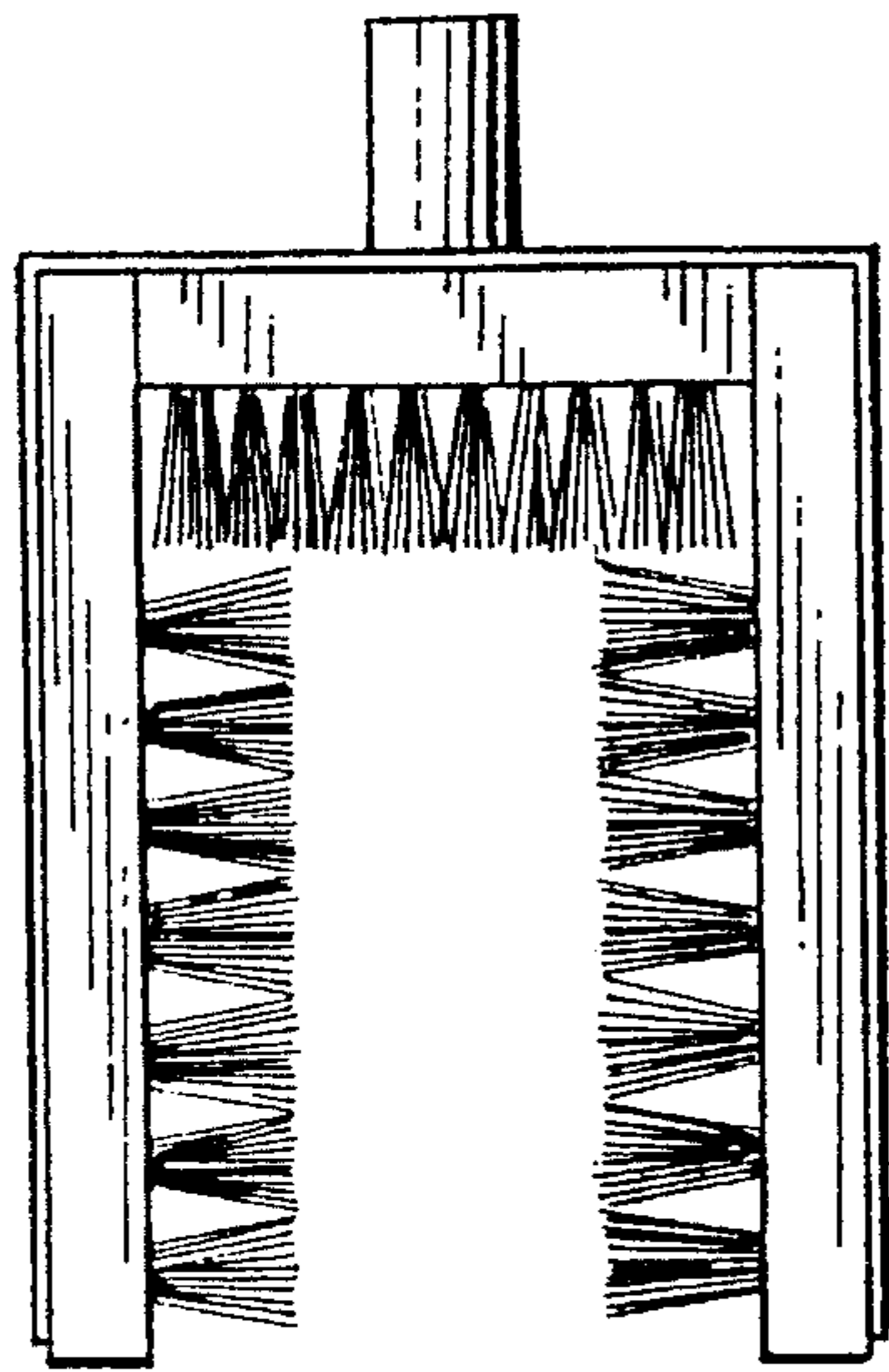


FIG. 1



FIG. 2

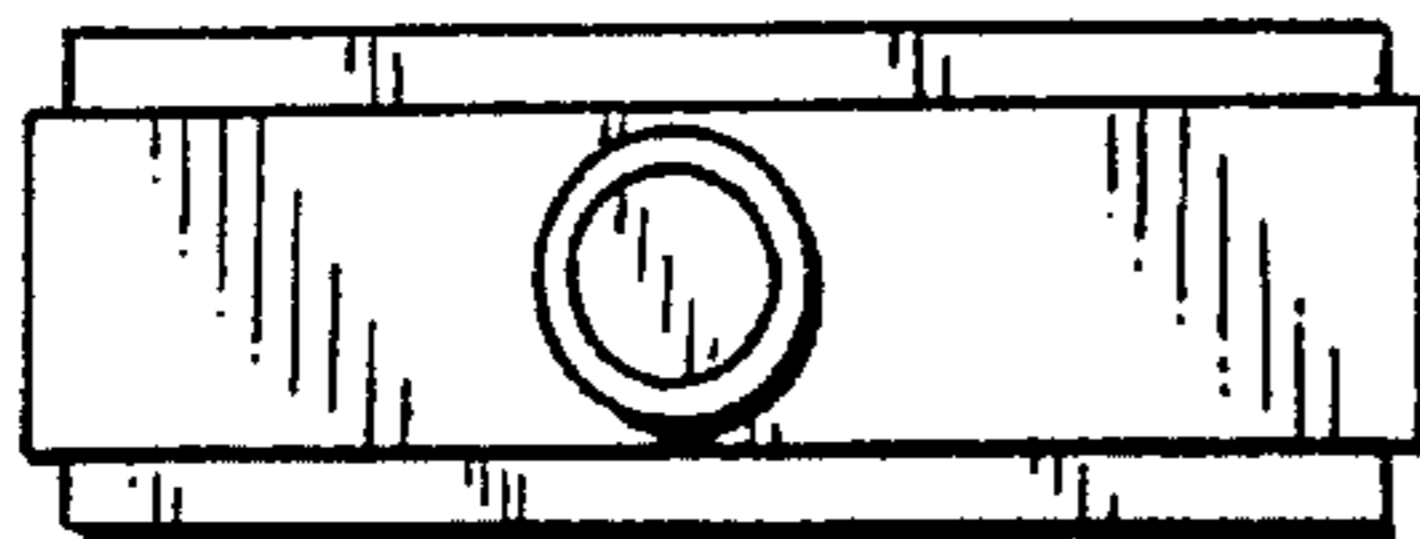


FIG. 3

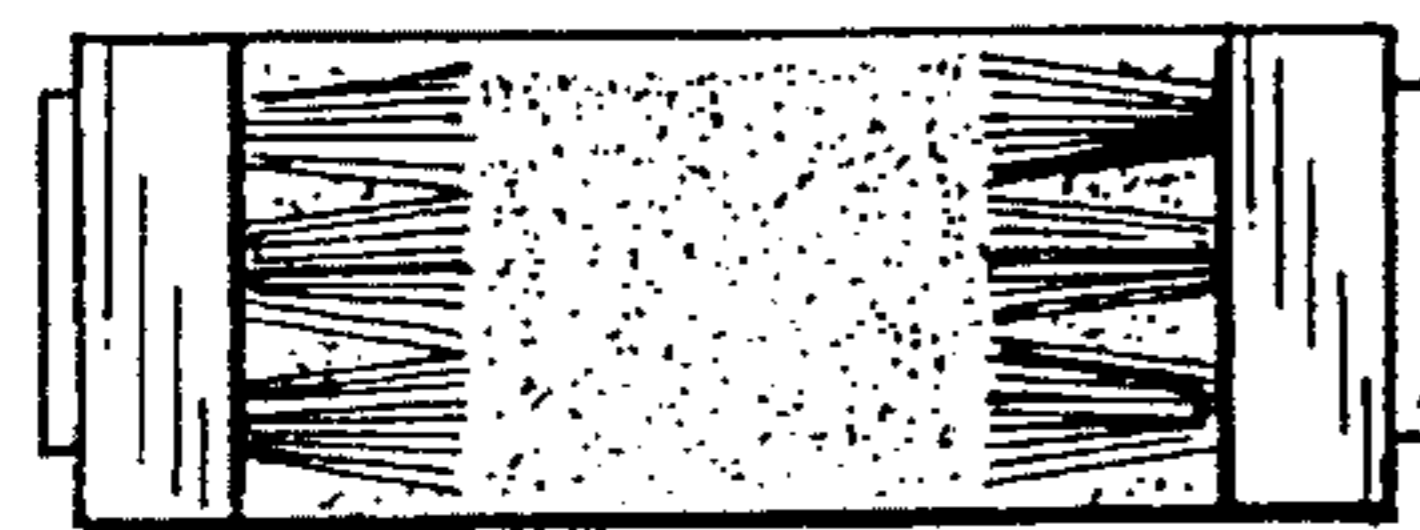


FIG. 4

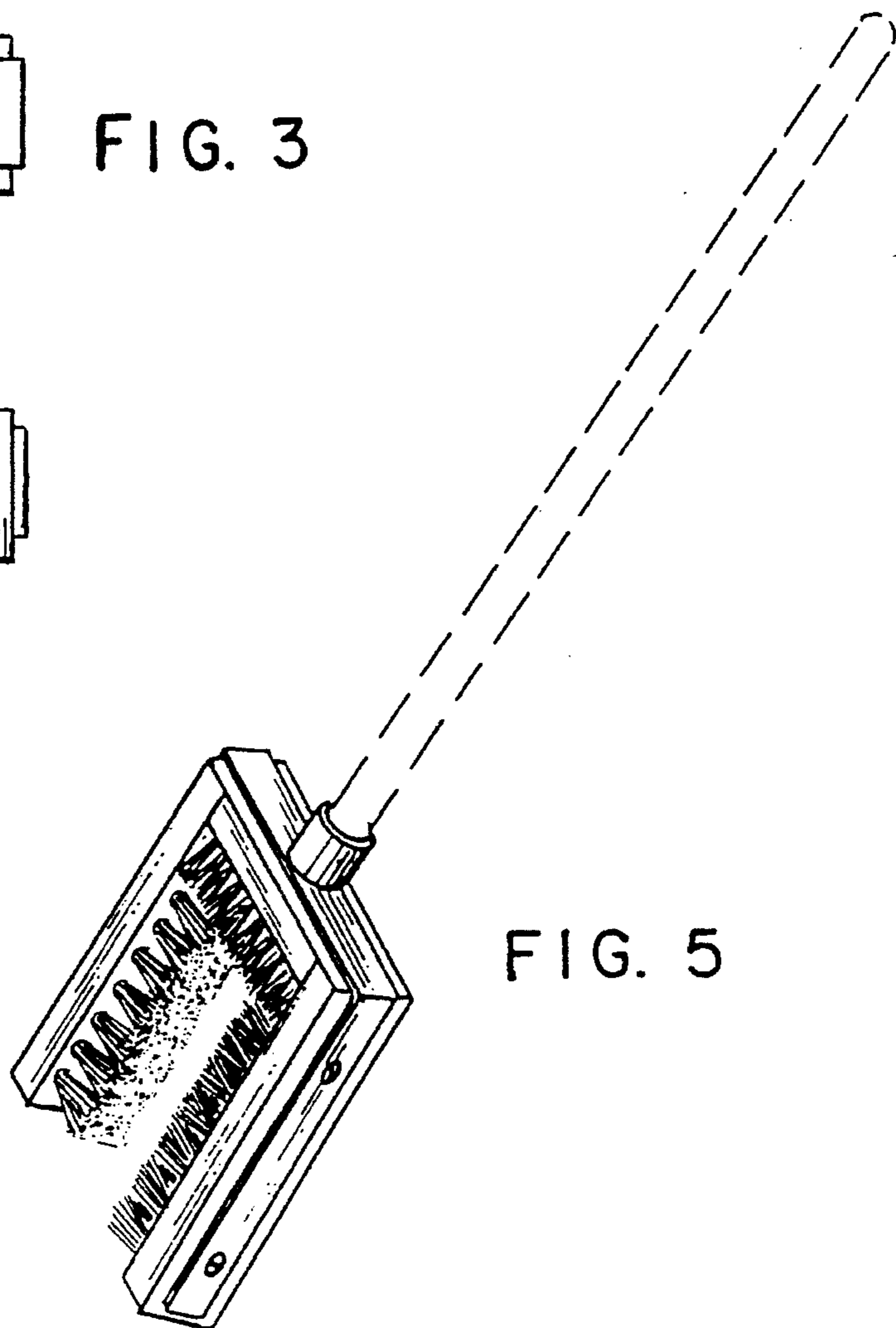


FIG. 5