



US00D370347S

United States Patent [19]

Heinzelman et al.

[11] Patent Number: **Des. 370,347**

[45] Date of Patent: ****Jun. 4, 1996**

[54] **TOOTHBRUSH HEAD**

4,010,509	3/1977	Huish	15/167.1
4,776,054	10/1988	Rauch	15/167.1
5,046,213	9/1991	Curtis et al.	15/167.1

[75] Inventors: **Bert D. Heinzelman**, Tenafly, N.J.;
Donald R. Lamond, Long Beach; **John Moldauer**, Brooklyn, both of N.Y.

Primary Examiner—A. Hugo Word
Assistant Examiner—Lavone Tabor
Attorney, Agent, or Firm—Milton L. Honig

[73] Assignee: **Chesebrough-Pond's USA Co.**,
Division of Conopco, Inc., Greenwich,
Conn.

[57] **CLAIM**

[**] Term: **14 Years**

The ornamental design for a toothbrush head, as shown and described.

[21] Appl. No.: **25,657**

DESCRIPTION

[22] Filed: **Jul. 7, 1994**

[52] U.S. Cl. **D4/104**

[58] Field of Search D4/101, 104-112,
D4/130, 134, 136; 15/159.1, 160, 167.1,
167.2, 186-187, DIG. 5, DIG. 6

FIG. 1 is a perspective view of a toothbrush head showing our new design;

FIG. 2 is a right side elevational view thereof;

FIG. 3 is a top plan view thereof;

FIG. 4 is a bottom plan view thereof;

FIG. 5 is an end elevational view as seen from the left side of FIG. 3; and,

FIG. 6 is an end elevational view as seen from the right of FIG. 3.

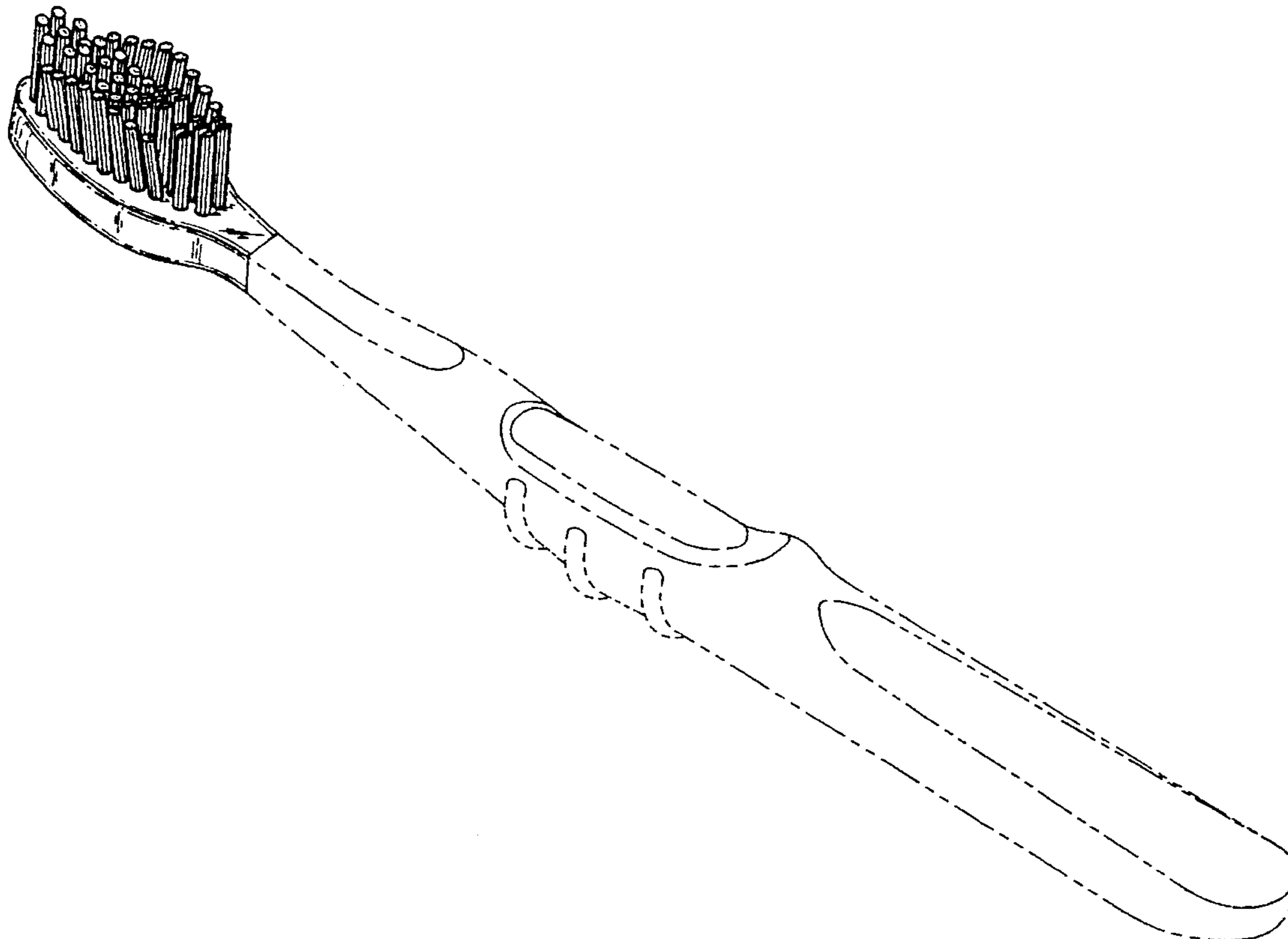
The structure shown in phantom or broken lines in the Figures forms no part of the claimed design and is present only to illustrate the environment.

[56] **References Cited**

U.S. PATENT DOCUMENTS

1,901,646	3/1933	Hicks	15/167.1
2,043,898	6/1936	Malcolm	15/167.1
3,722,020	3/1973	Hills	15/167.1
3,792,504	2/1974	Smith	15/167.1

1 Claim, 3 Drawing Sheets



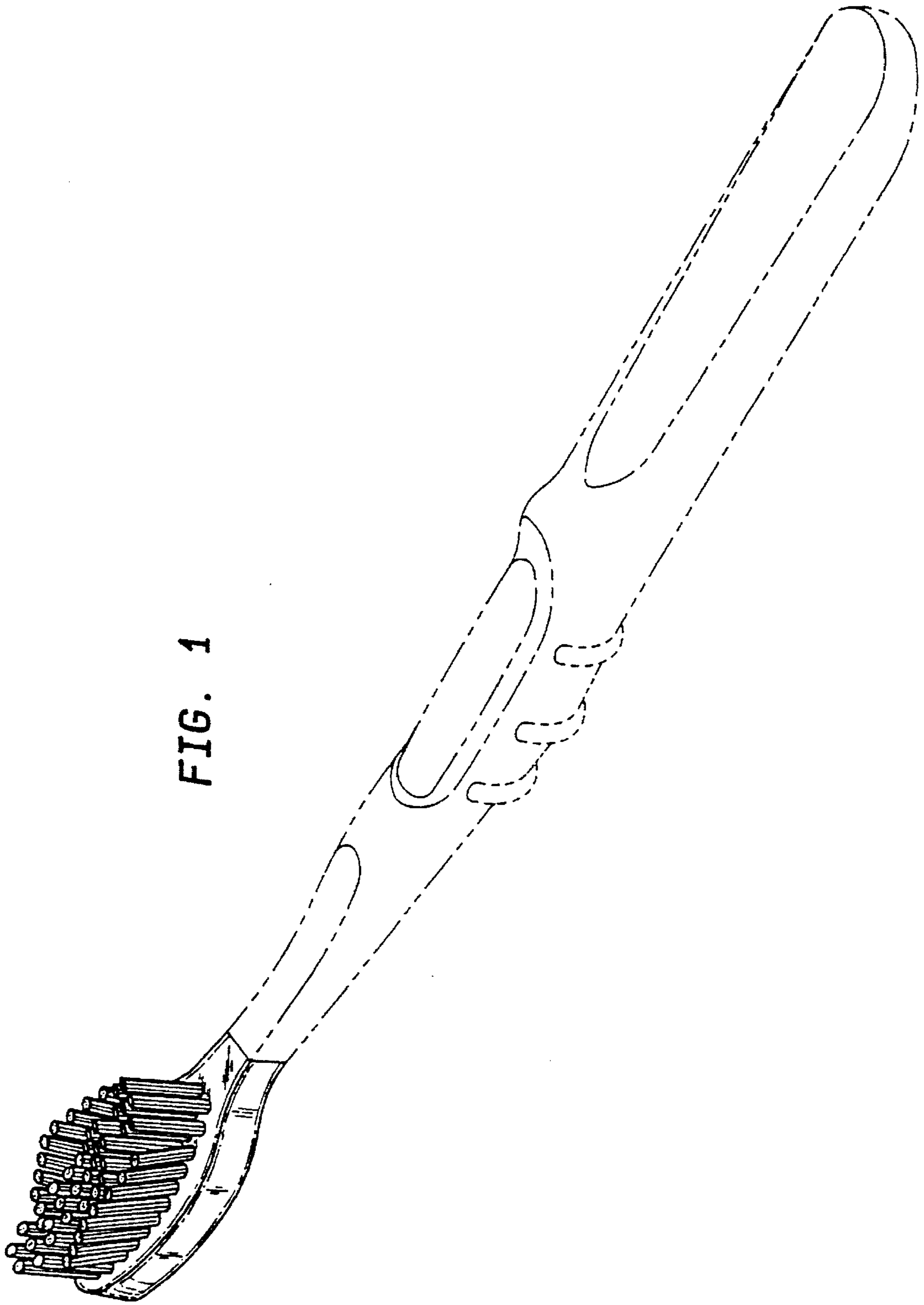


FIG. 1

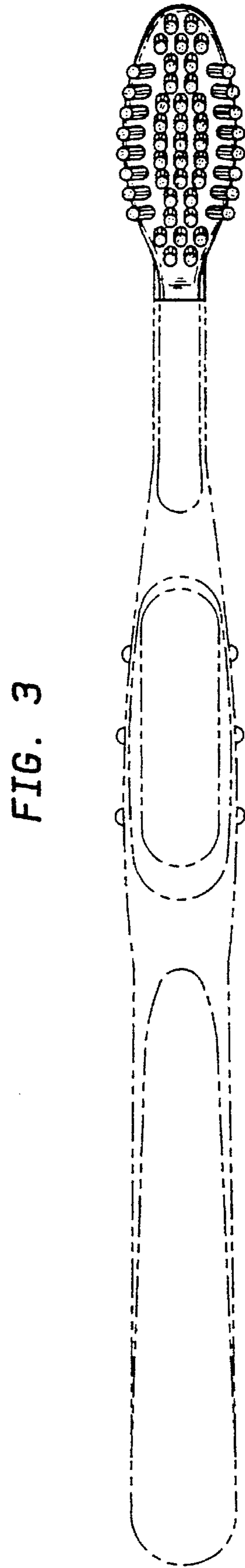
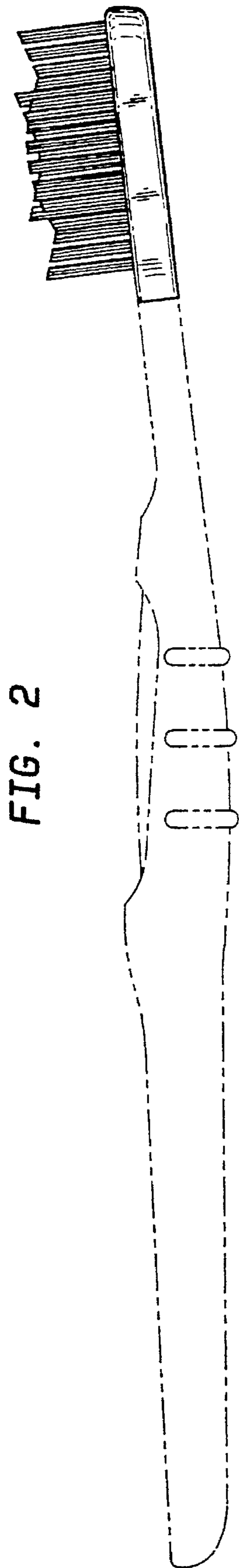


FIG. 4

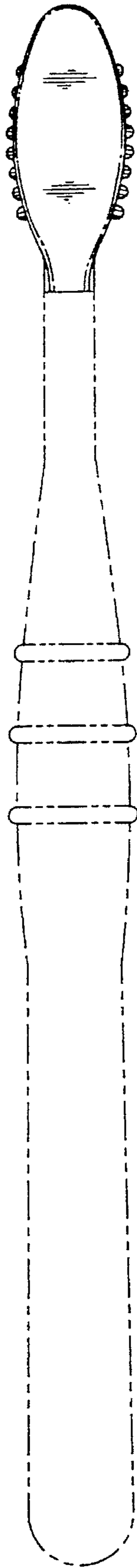


FIG. 5

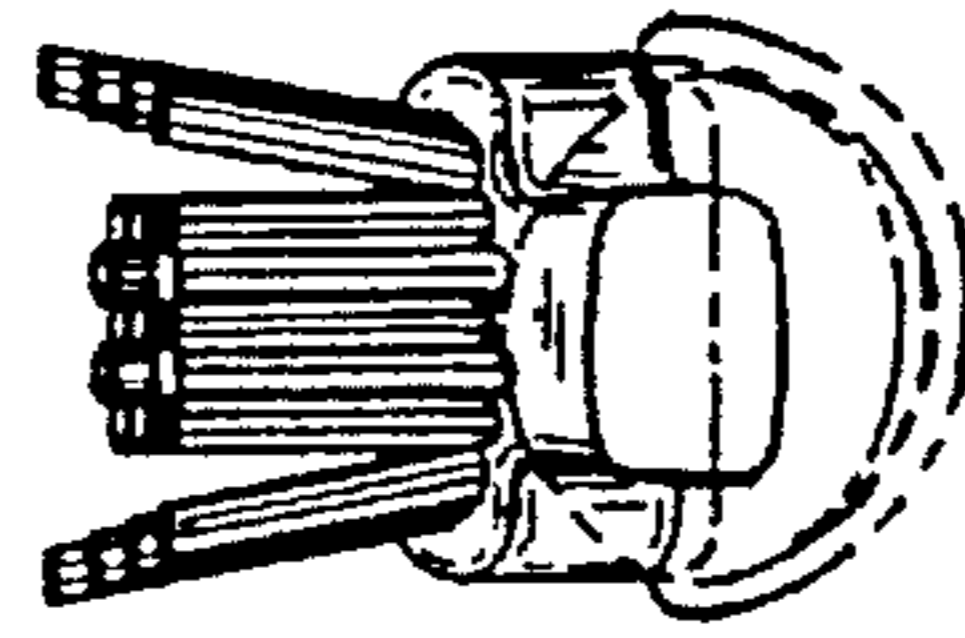


FIG. 6

