



US00D370346S

United States Patent [19]
Zimmerman

[11] **Patent Number: Des. 370,346**
[45] **Date of Patent: *** Jun. 4, 1996**

[54] **CONTAINER**

[75] Inventor: **Larry G. Zimmerman**, Hollis, N.H.
[73] Assignee: **Sterilite Corporation**, Townsend, Mass.
[*] Notice: The portion of the term of this patent subsequent to Mar. 12, 2010, has been disclaimed.
[**] Term: **14 Years**

[21] Appl. No.: **4,721**
[22] Filed: **Feb. 11, 1993**
[52] **U.S. Cl.** **D3/314; D9/425**
[58] **Field of Search** **D9/424, 425, 432; D3/304, 309, 314; 206/503, 504, 507, 518, 45.34; 220/1.5, 662, 669, 675, 657, 659, 645, 602; 211/126**

[56] **References Cited**

U.S. PATENT DOCUMENTS

D. 162,551	4/1950	Levine .	
D. 211,682	7/1968	Eicholtz et al. .	
D. 230,342	2/1974	Mallonm .	
D. 238,051	12/1975	Frier, Jr. et al. .	
D. 238,148	12/1975	Dilot .	
D. 239,695	4/1976	Frier, Jr. et al. .	
D. 268,622	4/1983	Wolters et al. .	
D. 271,554	11/1983	Grusin .	
D. 277,797	2/1985	Chabot	D9/425 X
D. 277,993	3/1985	Sinchok	D9/425 X
D. 280,216	8/1985	Boklund .	
D. 297,875	9/1988	Carville .	
D. 302,774	8/1989	Murphy .	
D. 305,410	1/1990	Tyler	D9/425
D. 342,896	1/1994	Gottofredi	D9/425
2,606,586	8/1952	Hill .	
2,767,878	10/1956	Brown .	
2,816,376	12/1957	Hirvonen	206/45.34
2,995,271	8/1961	Frater et al.	206/507
3,170,594	2/1965	Nascher	206/507
3,412,889	11/1968	Eicholtz et al. .	
3,419,184	12/1968	Asenbauer .	
3,447,715	6/1969	Beney	206/507
3,506,324	4/1970	Fristedf .	
3,734,341	5/1973	Levenhagen .	

OTHER PUBLICATIONS

Lewisystems, 1983 Cat, p. 20.
Staples 1994/1995 winter catalog; 1 page.
Consolidated Plastics Co., Inc.; Rubbermaid and Matting Catalog; 1994; pp. 12, 13.
File Storage Catalog; p. 121 in before Jan. 1992.
Tucker Storage Containers; 1992; cover, back and p. 11.
Akro-Mils; 1 page, apparently pre 1994.
Rubbermaid Storage Containers; 1 page (pre 1994).
Bacinella 15L Tonda; Secchio 10L; con Bordo; 1 page, pre Jan. 1992.
J. B. Borneo®, Inc.; storage containers; 1 page, pre Jan. 1992.
Tucker®/Tamor® storage organizers; Tamor® value pack clear storage organizers; 1 page, pre Jan. 1992.
Storage containers A 0450; A 1800; A 5000; p. 19, pre Jan. 1992.
Rubbermaid®; Wrap'n Craft™; No. 2159; 1 page, pre Jan. 1992.
1967-68 Sterilite Plastic Housewares Catalog, p. 2 No. 1550R, p. 5 No. 1089.

(List continued on next page.)

Primary Examiner—Prabhakar G. Deshmukh
Attorney, Agent, or Firm—Donald Brown

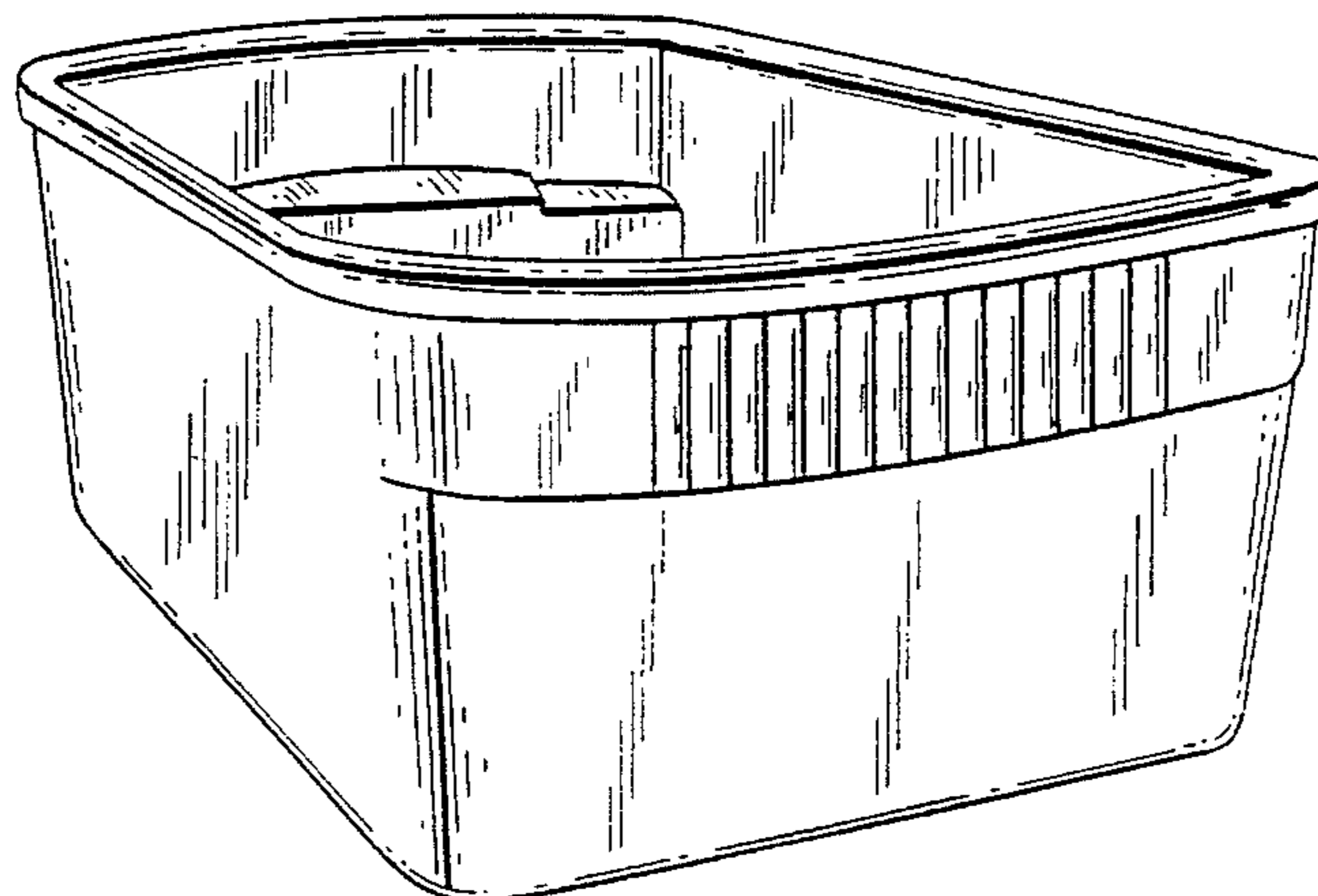
[57] **CLAIM**

The ornamental design for a container, as shown and described.

DESCRIPTION

FIG. 1 is a perspective view of a container showing my new design;
FIG. 2 is a top plan view thereof;
FIG. 3 is a front elevational view thereof; the rear elevational view being a mirror image thereof;
FIG. 4 is a left side elevational view thereof; the right side elevational view being a mirror image there being a mirror image thereof;
FIG. 5 is a bottom plan view thereof; and,
FIG. 6 is a fragmentary sectional elevational view thereof; taken along line 6—6 of FIG. 2.

1 Claim, 3 Drawing Sheets



OTHER PUBLICATIONS

- Pre-1990 Sterilite Catalog Sheet "3 pc. Soft Seal Food Keeps", No. 337.
- Pre-1990 Sterilite Catalog Sheet "Store N' Save Box", No. 1650.
- Pre-1990 Sterilite Catalog, p. 9 No. 651 Dishpan, p. 17 Nos. 323, 324, 325, 327 Stackables.
- Pre-1990 Sterilite Catalog Sheet "Microwave Reheatable", Nos. 351, 352, 353, 354, 355, 356, 357, 358, 359.
- Pre-1990 Sterilite Catalog Sheet "Food Preparation & Drinkware", Nos. 211, 212.
- Pre-1990 Sterilite Catalog Sheet "Recycling Solutions", No. 3683, 3684, 3686.
- Pre-1990 Sterilite Catalog Sheet "OmniBox", Nos. 1596, 1598.
- Pre-1990 Sterilite Catalog Sheet "Home Storage & Utility", Nos. 1652, 1654, 1656, 1682, 1684, 1686.
- 1984 Fesco "Home Makers" Catalog, p. 11 Nos. 3305, 3320, 2238.
- Pre-1990 Coast-to-Coast Container Corp. "Stor-all Container" Catalog Sheet, Nos. 100, 103, 103c, 104, 100c, 300, 200, 203.
- 1984 My Pla Co. Ltd. Catalog, p. 9 Nos. 6960, 7020, 7040.
- 1968 Gotham Industries Inc. "Housewares Bonanza" Catalog, p. 11 Nos. 650, 651, 655, 656, 670, 671, 680, 681, 690, 691.
- 1972 Tucker Manufacturing Corporation Plastic Housewares Catalog, p. 18 Nos. 176, 277, 278.
- Pre-1990 HisWay Products "Stuffy Children's Lap Desk" Catalog Sheet.
- 1884 Thermo-Serve, Inc. "Store & Serve" Catalog Sheet, Nos. 250A, 251A, 252A.
- Pre-1990 Menasha Corporation "The Storage Tote" Catalog Sheet, No. STOR 170.
- Pre-1990 Alladin Plastics, Inc. "Stack n' Store" Catalog Sheet, Nos. 288, 289.
- Pre-1990 Rubberqueen/Loma Catalog, p. 11 Nos. 1000, 1001.
- 1990 Tupperware Collection Catalog, p. 8 Nos. 630, 631, 634, 635, 636, 638, 639, 642, 643, 657, 658.
- 1973 Joy Plastics, Inc. Price List, p. 5 No. 255, p. 16 Nos. 860, 865.
- Pre-1990 Ingrid Catalog, p. 16 Nos. SS-10, SS-20, SS-30, SS-25.
- 1981 Rubbermaid Food Service Catalog, p. 10 Nos. 3301, 3302, 3304, 3306, 3307, 3308, 3309, 3310, 3300, 3328, p. 29 No. 3525, p. 33 Nos. 1721, 1722, 1720, 1731, 1732, 1730.
- 1983 Rubbermaid Housewares Catalog, p. 10 Nos. 3102, 3106, 3112, 3116.
- 1984 Rubbermaid Housewares Catalog, p. 12 No. 3901, p. 14 Nos. 3860, 3861, 3862, 3863, 3870, 3871, 3872, 3873.
- 1986 Rubbermaid "Conquers Space" Catalog, p. 6 Nos. 2213, 2214, 2215, p. 8 Nos. 2220, 2221.
- 1986 Rubbermaid "Dancing on Success" Catalog Sheet, No. 2219.
- Sterilite Tote Bin No. 1682 Catalog Sheet pre-1993.
- Sterilite Tote Bins No. 1683 Catalog Sheet pre-1993.
- Sterilite Tote Bins No. 1686, 1684 Catalog Sheet pre-1993.
- Sterilite Recycling Solutions Catalog pre-1993.
- Sterilite Home Storage and Utility Catalog, Nos. 1652, 1654, 1656 pre-1993.
- Sterilite Store N'-Save Catalog Sheet, No. 1650 pre-1993.
- Sterilite 3pc. Soft Seal Food Keeps No. 337 Catalog Sheet pre-1993.
- Sterilite Flavor Savers Catalog Sheet pre-1993.
- Sterilite Storage Drawers No. 1633 Catalog Sheet pre-1993.
- Sterilite Storage Boxes Catalog Sheet pre-1993.
- Sterilite Storage Box No. 1652 Catalog Sheet pre-1993.
- Sterilite Storage Boxes Catalog Sheet pre-1993.
- Sterilite Microwave Reheatable Catalog pre-1993.
- Sterilite Home Storage & Utility Catalog Sheet pre-1993.
- Tucker Ram-Tuff Tote Containers Catalog Aug. 1989.
- Tucker Plastic Housewares 1972 Catalog p. 18.
- Tucker Housewares Catalog pre-1993, p. 20.
- Tucker Housewares Catalog pre-1993, p. 28.
- Tucker Pastel Colors Catalog Sheets pre-1993.
- Rubbermaid Food Service Products Catalog 1991, p. 25.
- Rubbermaid and Matting Catalog 1991, Consolidated Plastics Company, Inc. pp. 12, 18, 33.
- Rubbermaid and Matting Catalog 1993, Consolidated Plastics Company, Inc. pp. 12, 19, 29.
- Rubbermaid Annual Report 1985, p. 11.
- Rubbermaid 1978 Housewares Catalog, p. 16.
- Rubbermaid Conquers Space Catalog pre-1993.
- Caldor Grand Opening Sale Circular Advertisement pre-1993, p. 7.

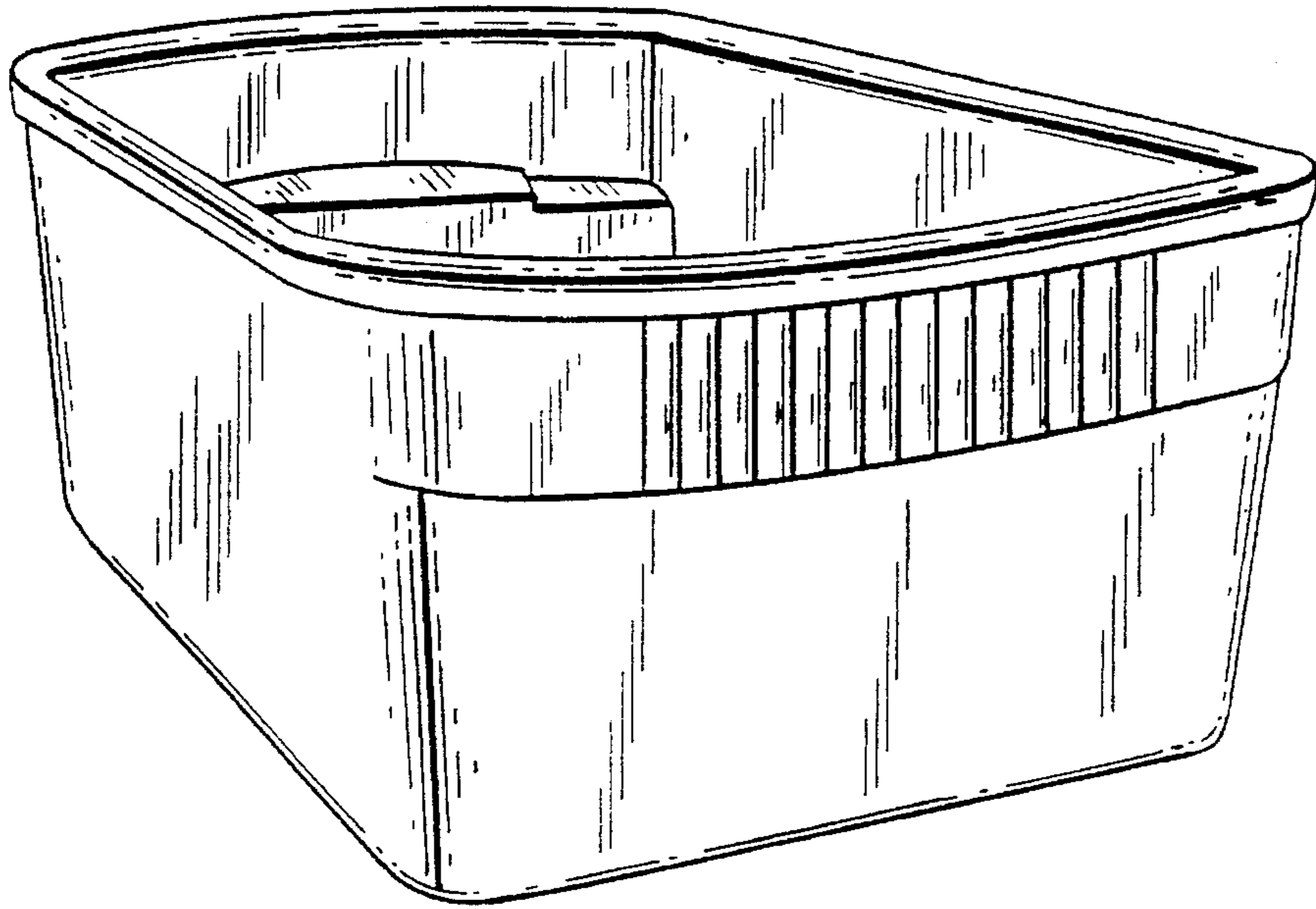


FIG. 1

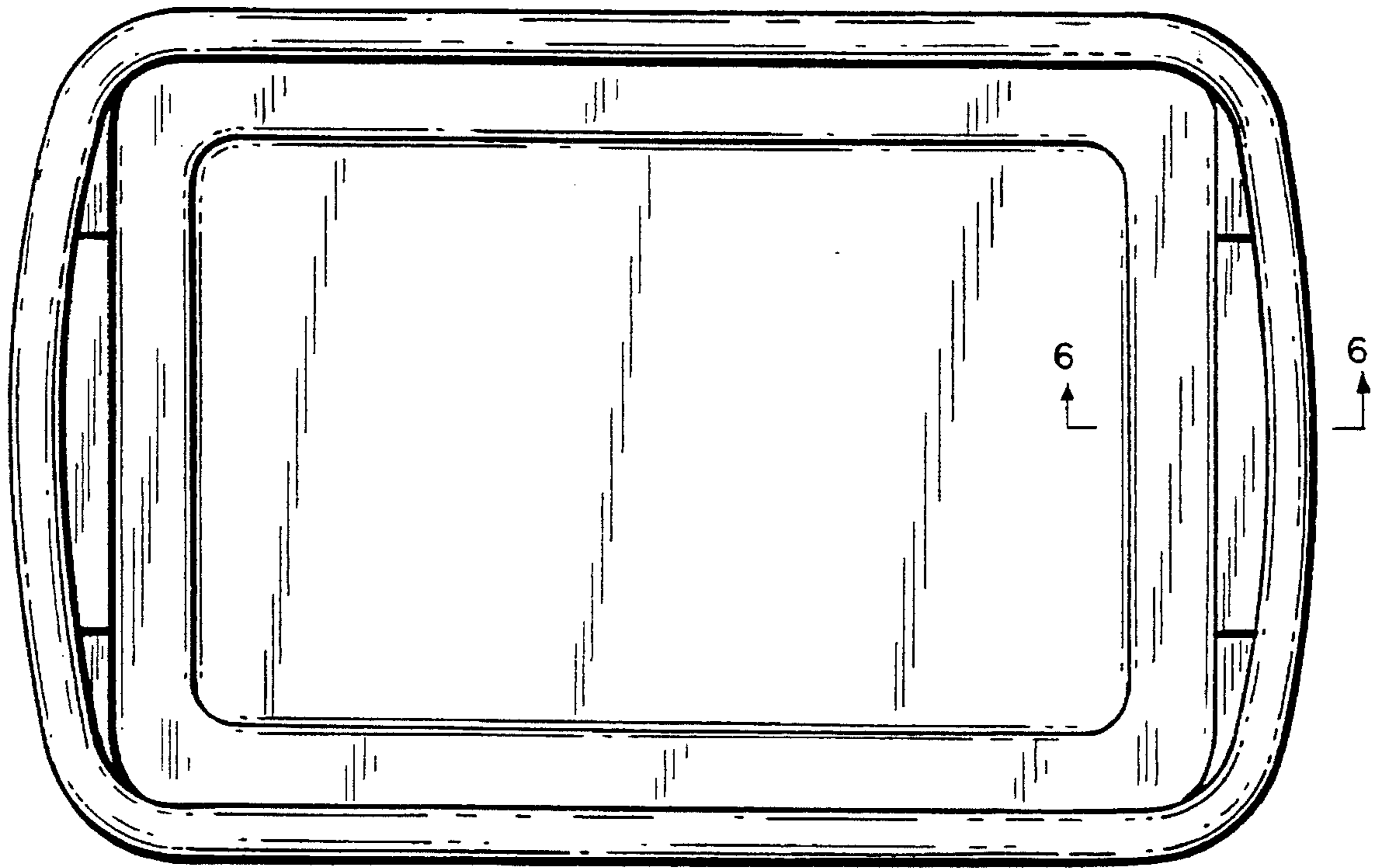


FIG. 2

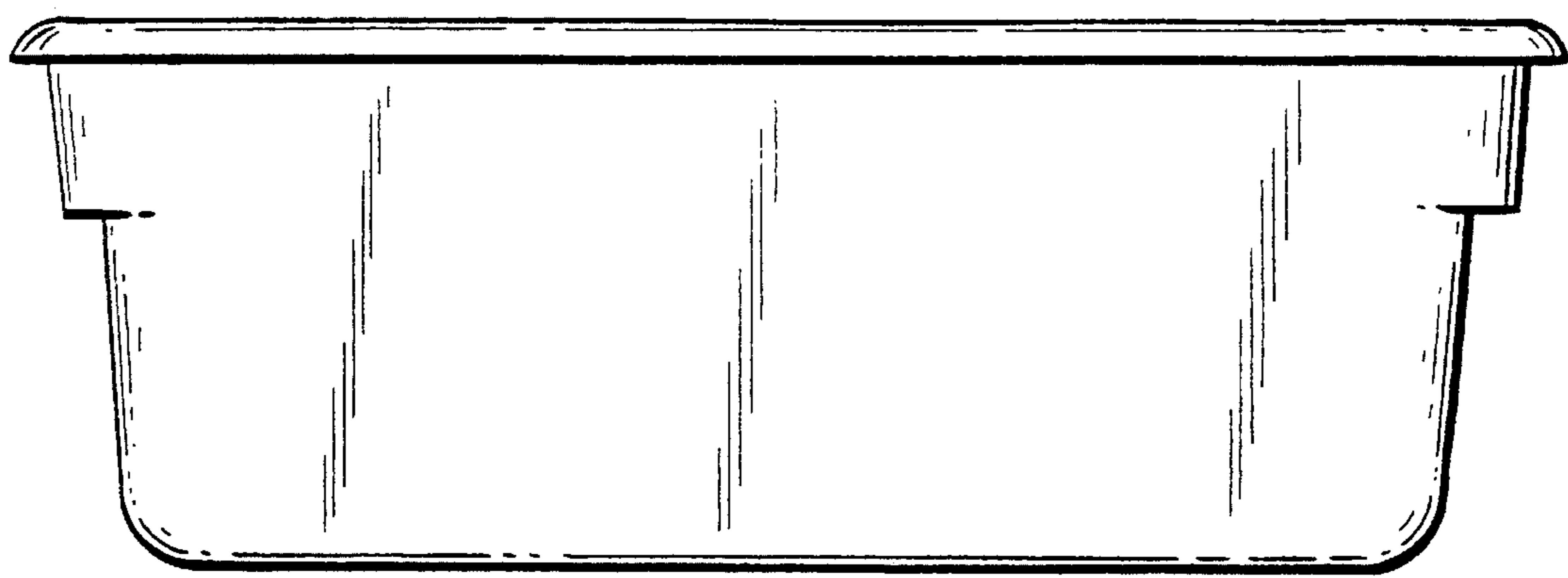


FIG. 3

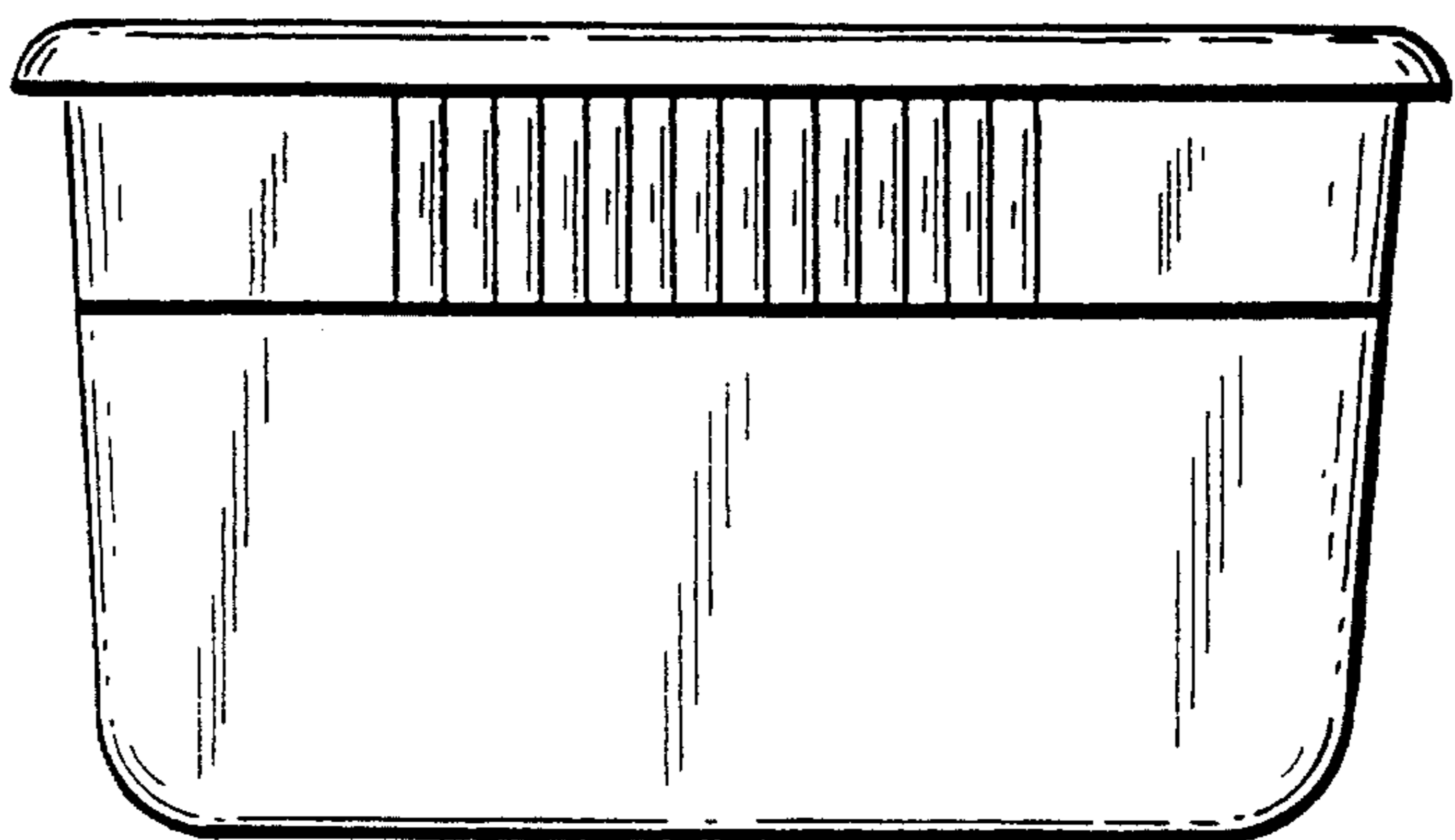


FIG. 4

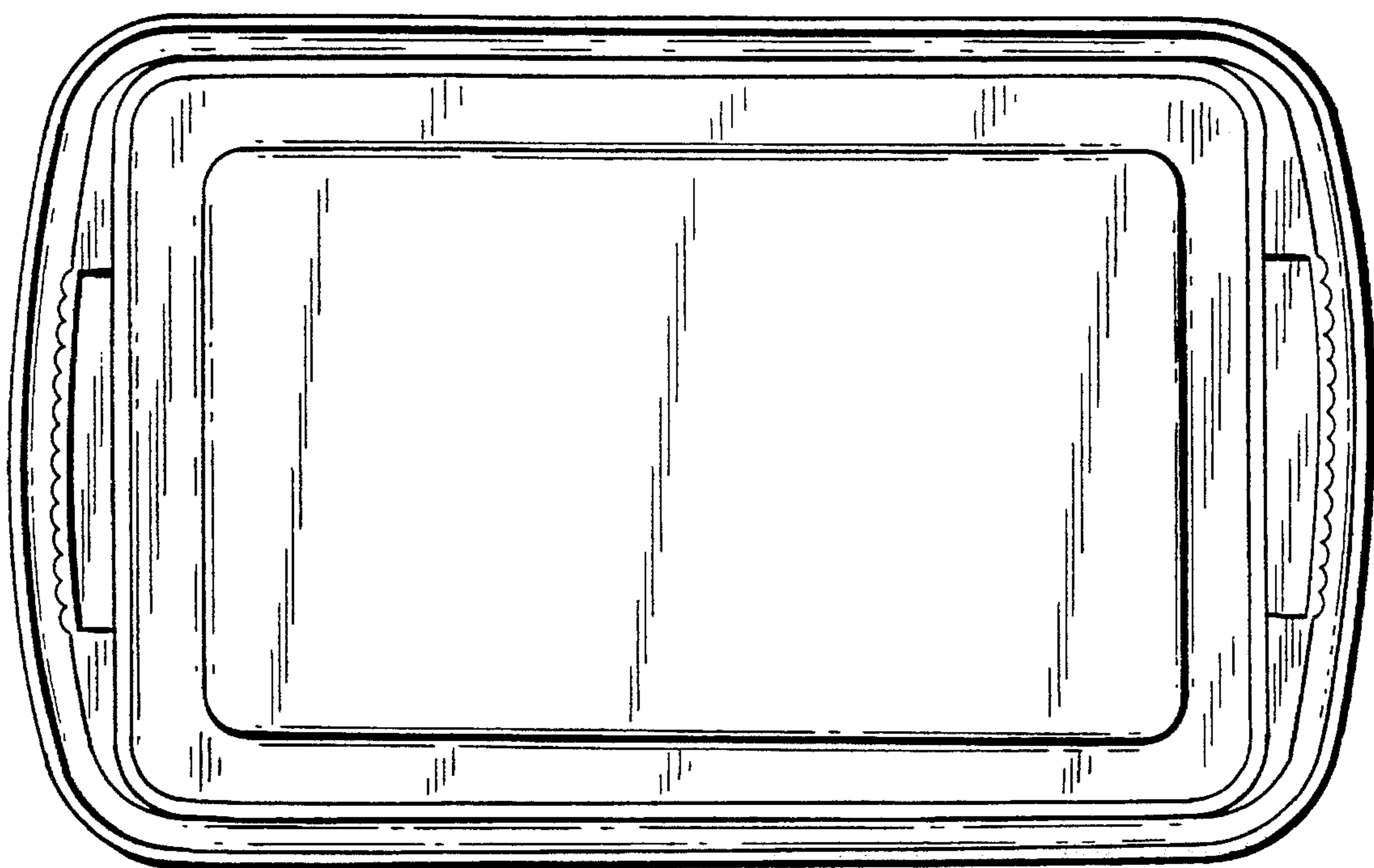


FIG. 5

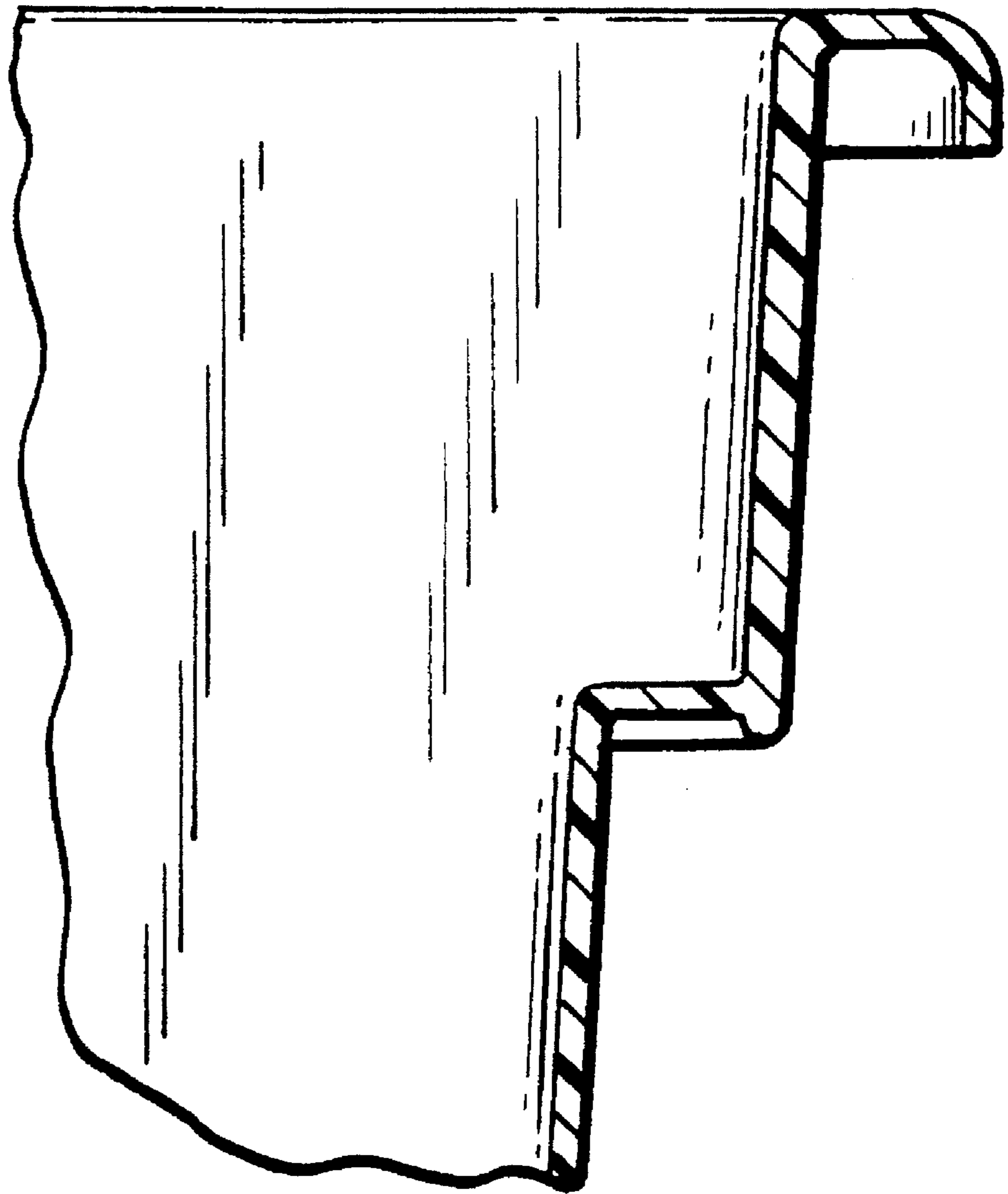


FIG. 6