



US00D370344S

United States Patent [19] Kim

[11] **Patent Number: Des. 370,344**

[45] **Date of Patent: **Jun. 4, 1996**

[54] **BOX**

[75] Inventor: **Jong-won Kim**, Seoul, Rep. of Korea

[73] Assignee: **Samsung Corporation**, Seoul, Rep. of Korea

[**] Term: **14 Years**

[21] Appl. No.: **38,225**

[22] Filed: **May 1, 1995**

[30] Foreign Application Priority Data

Nov. 2, 1994 [KR] Rep. of Korea 94-23914

[52] U.S. Cl. **D3/305; D3/312**

[58] Field of Search D3/304, 305, 307-314;
D32/51, 53; D9/424, 425; 220/669, 670,
672, 673, 1.5; 206/599, 600, 503, 6

[56] References Cited

U.S. PATENT DOCUMENTS

D. 286,339 10/1986 van Berne et al. D3/305
D. 353,714 12/1994 Stromberg D3/305
4,809,851 3/1989 Oestreich et al. 206/599

Primary Examiner—Ted Shooman

Assistant Examiner—Richelle Shelton
Attorney, Agent, or Firm—Leydig, Voit & Mayer

[57] CLAIM

The ornamental appearance of a box, as shown and described.

DESCRIPTION

FIG. 1 is a perspective view of a box showing my new design;
FIG. 2 is a front elevation view thereof, the rear elevation view being identical;
FIG. 3 is a left side elevation view thereof, the right side elevation view being identical;
FIG. 4 is a top plan view thereof;
FIG. 5 is a bottom plan view thereof;
FIG. 6 is a perspective view of the box in folding state;
FIG. 7 is a perspective view of the box in folded state;
FIG. 8 is a front elevation view thereof, the rear elevation view being identical;
FIG. 9 is a left side elevation view thereof, the right side elevation view being identical;
FIG. 10 is a top plan view thereof; and,
FIG. 11 is a bottom plan view thereof.

1 Claim, 7 Drawing Sheets

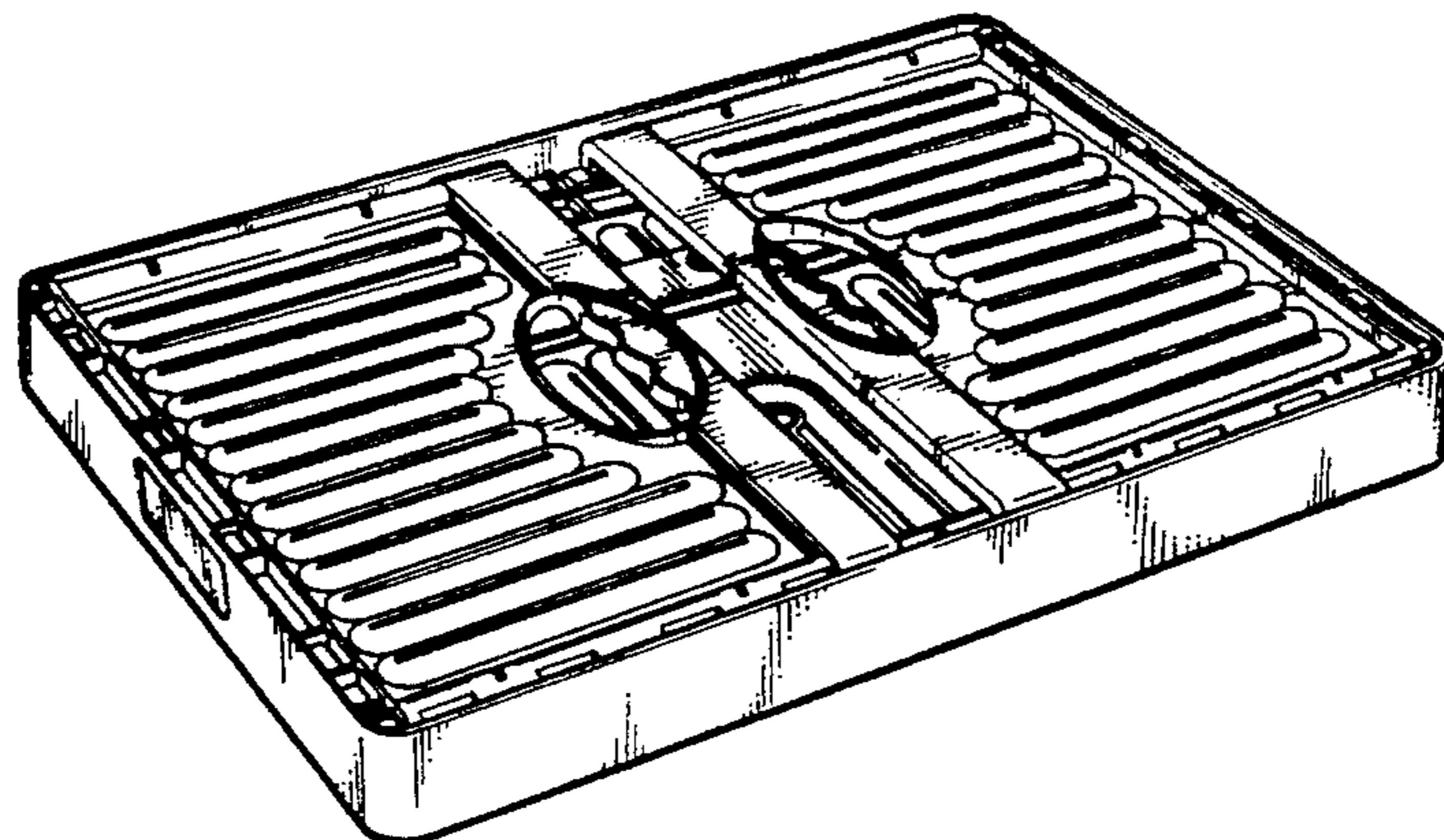
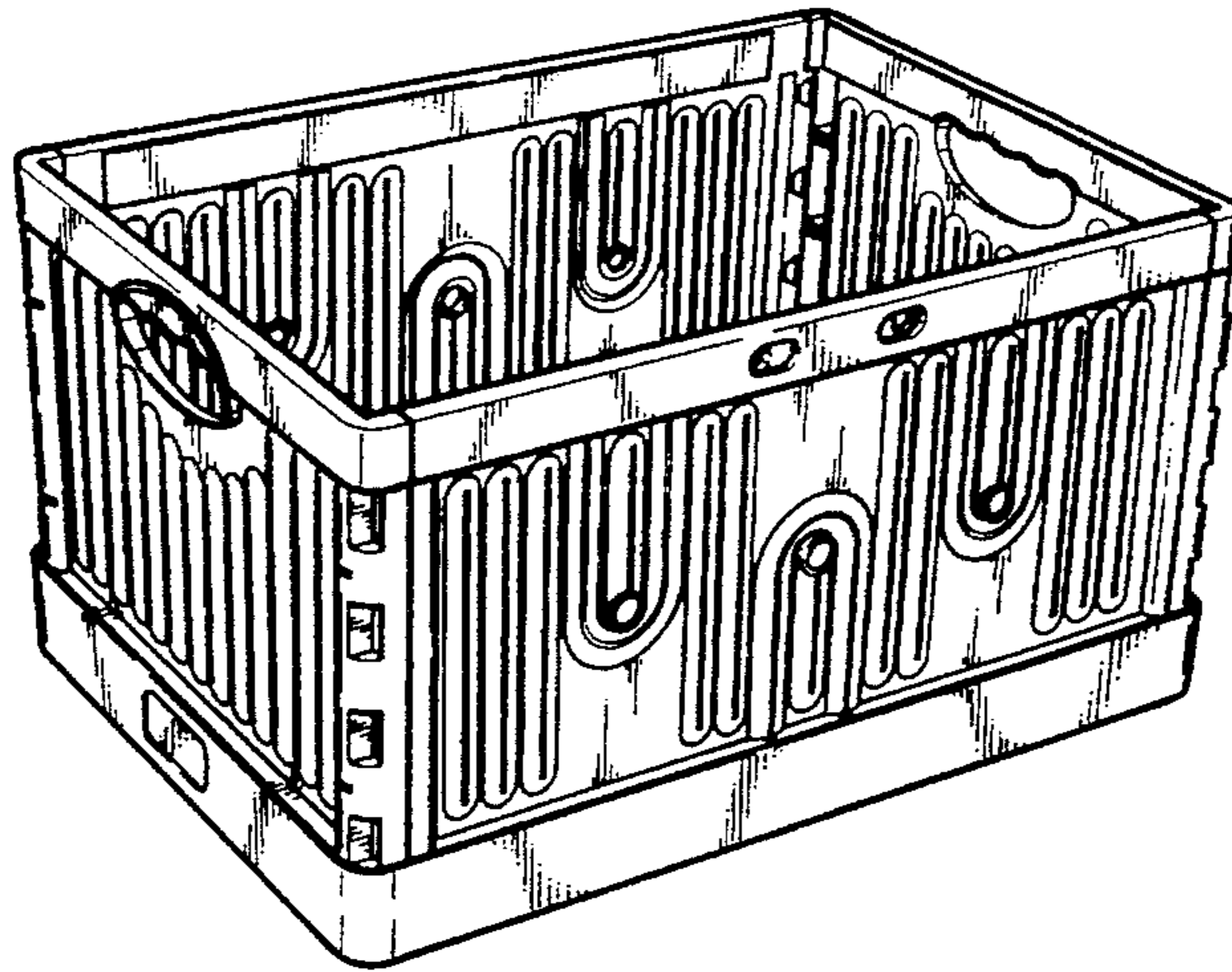


FIG. 1

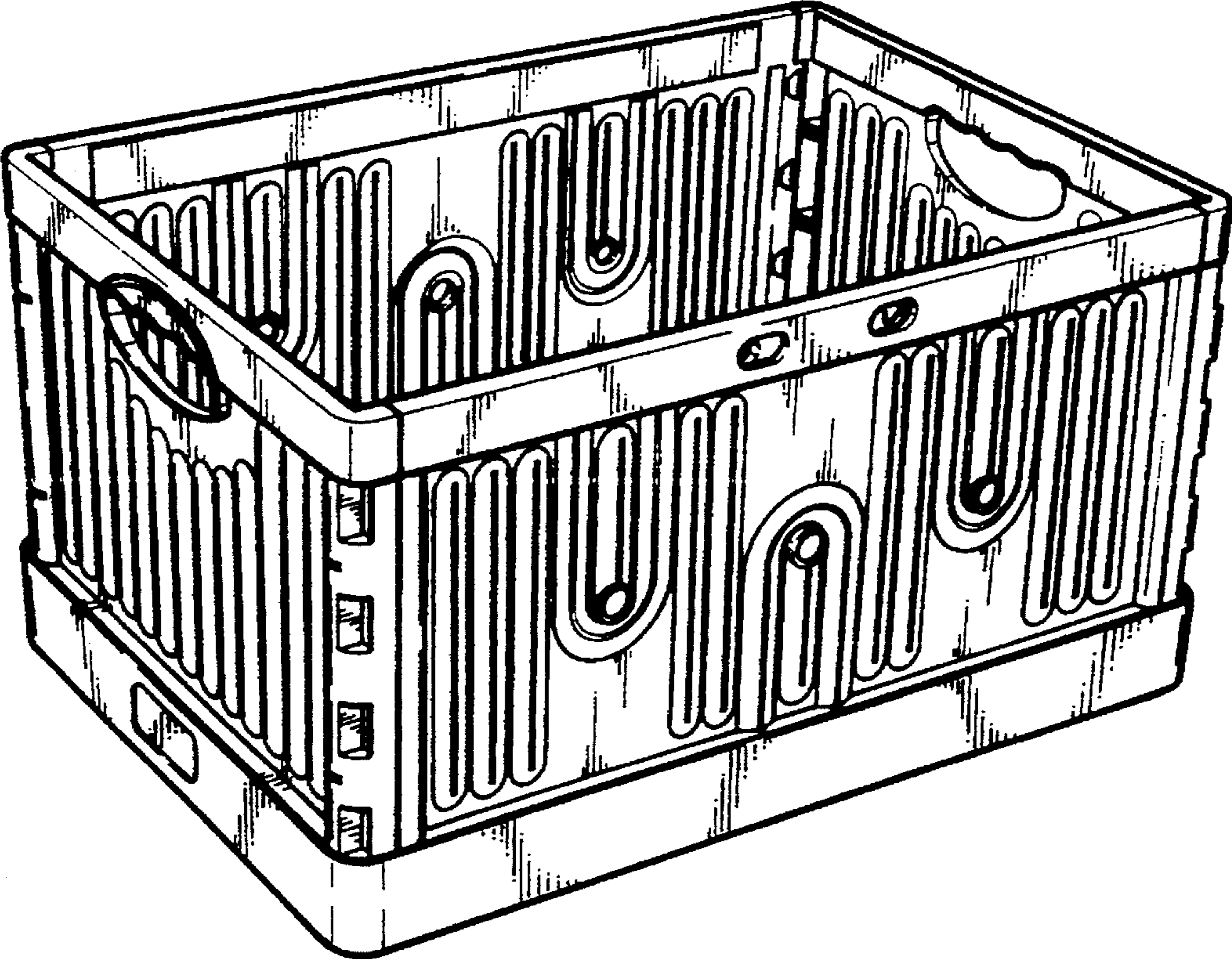


FIG. 2

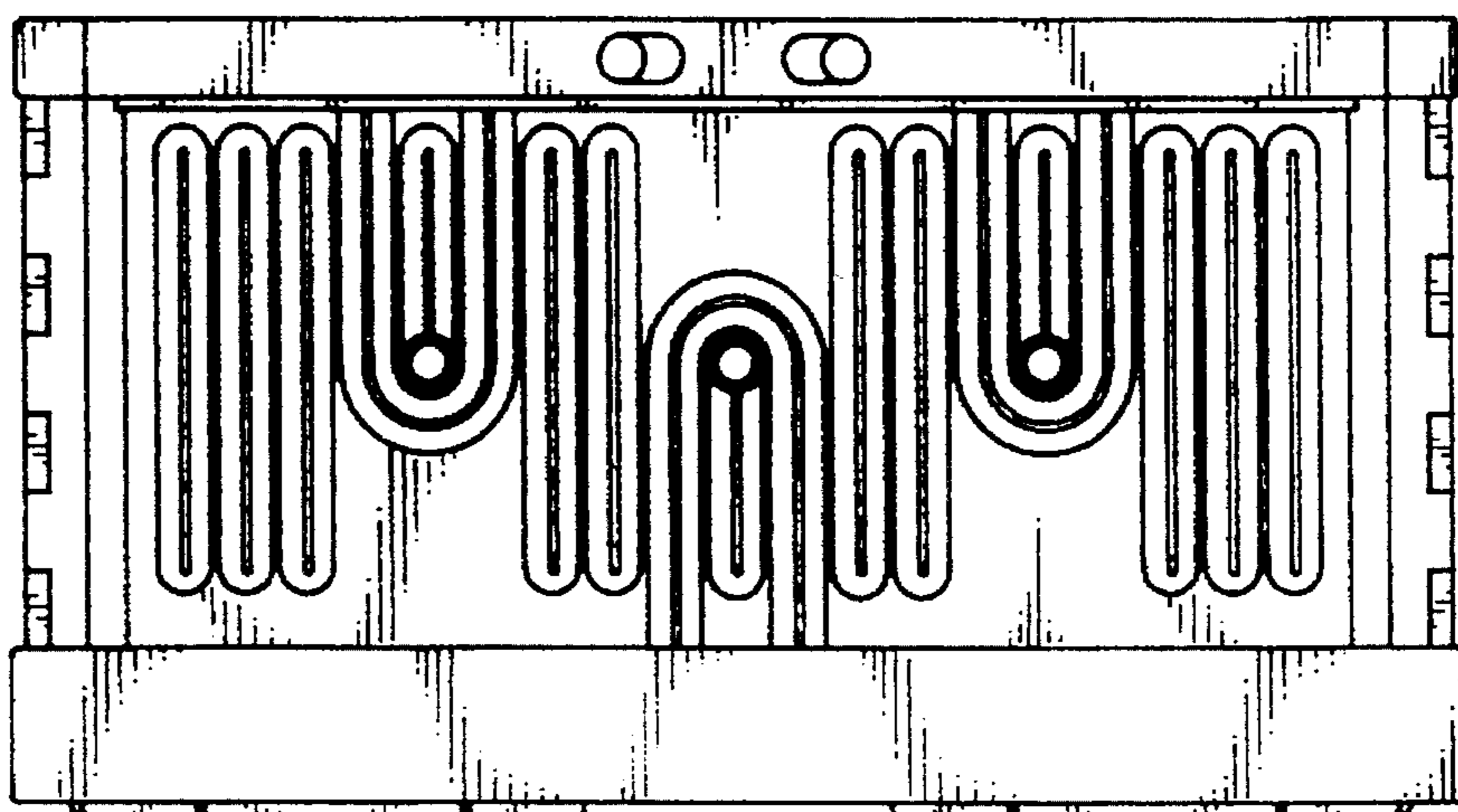


FIG. 3

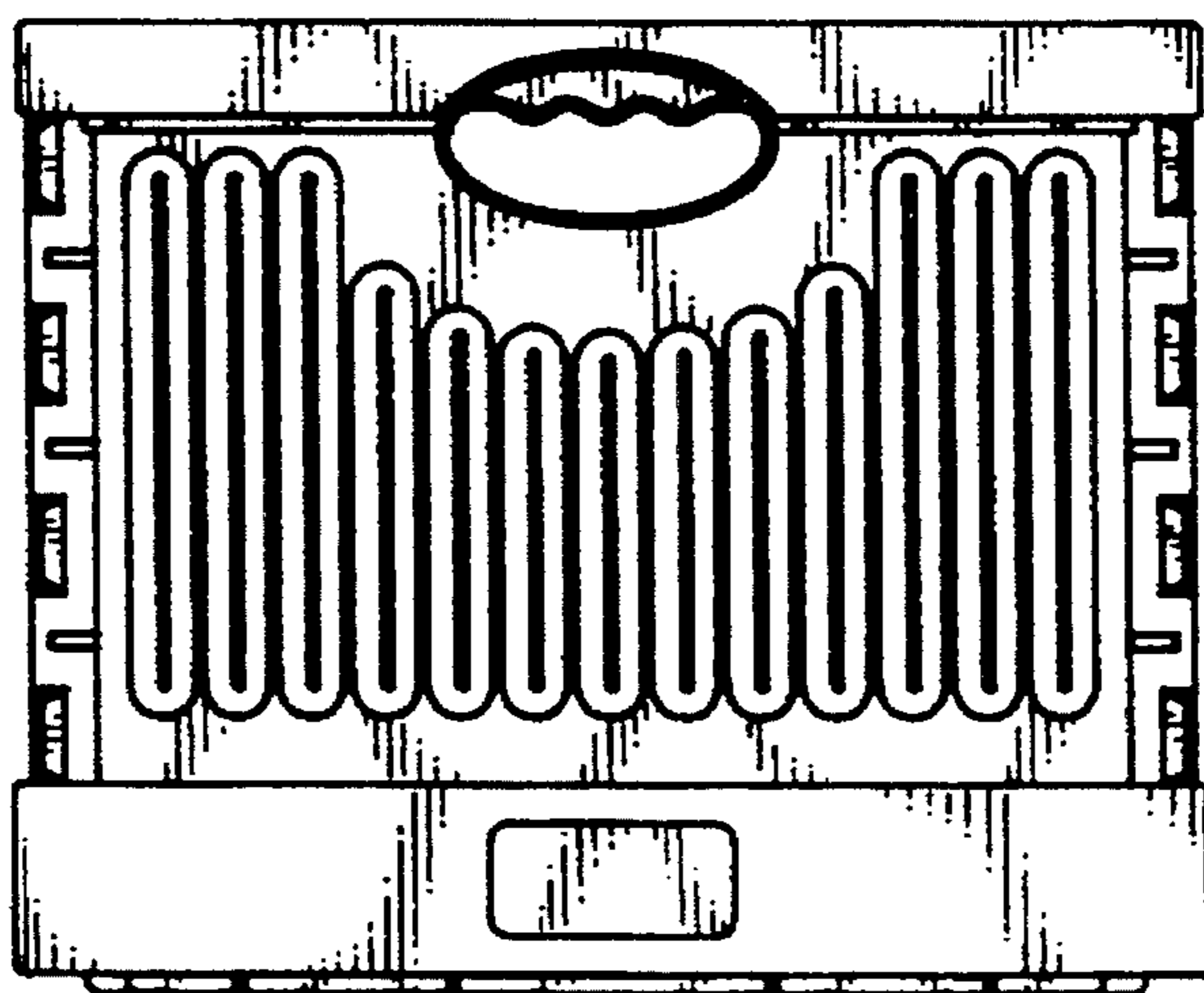


FIG. 4

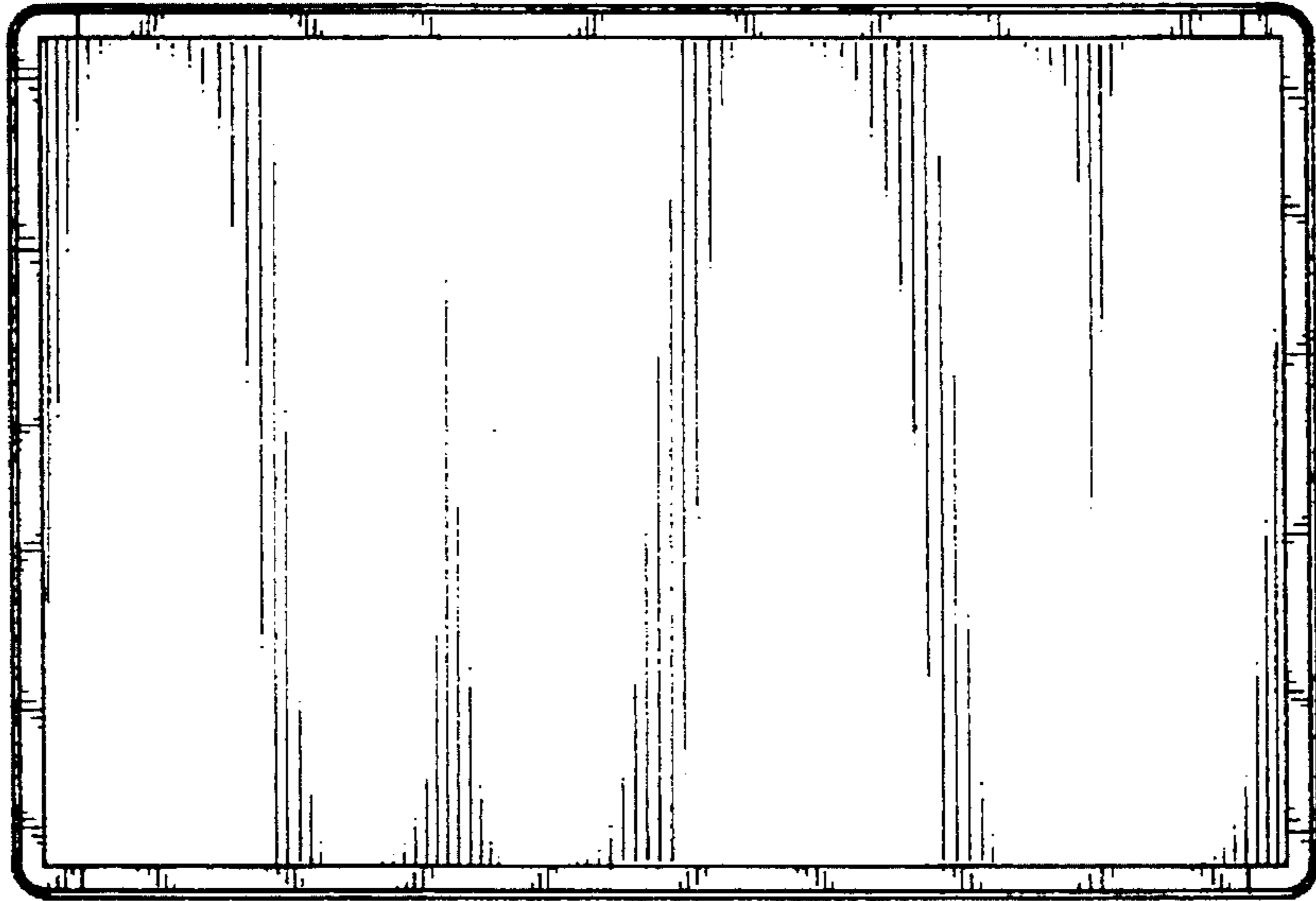


FIG. 5

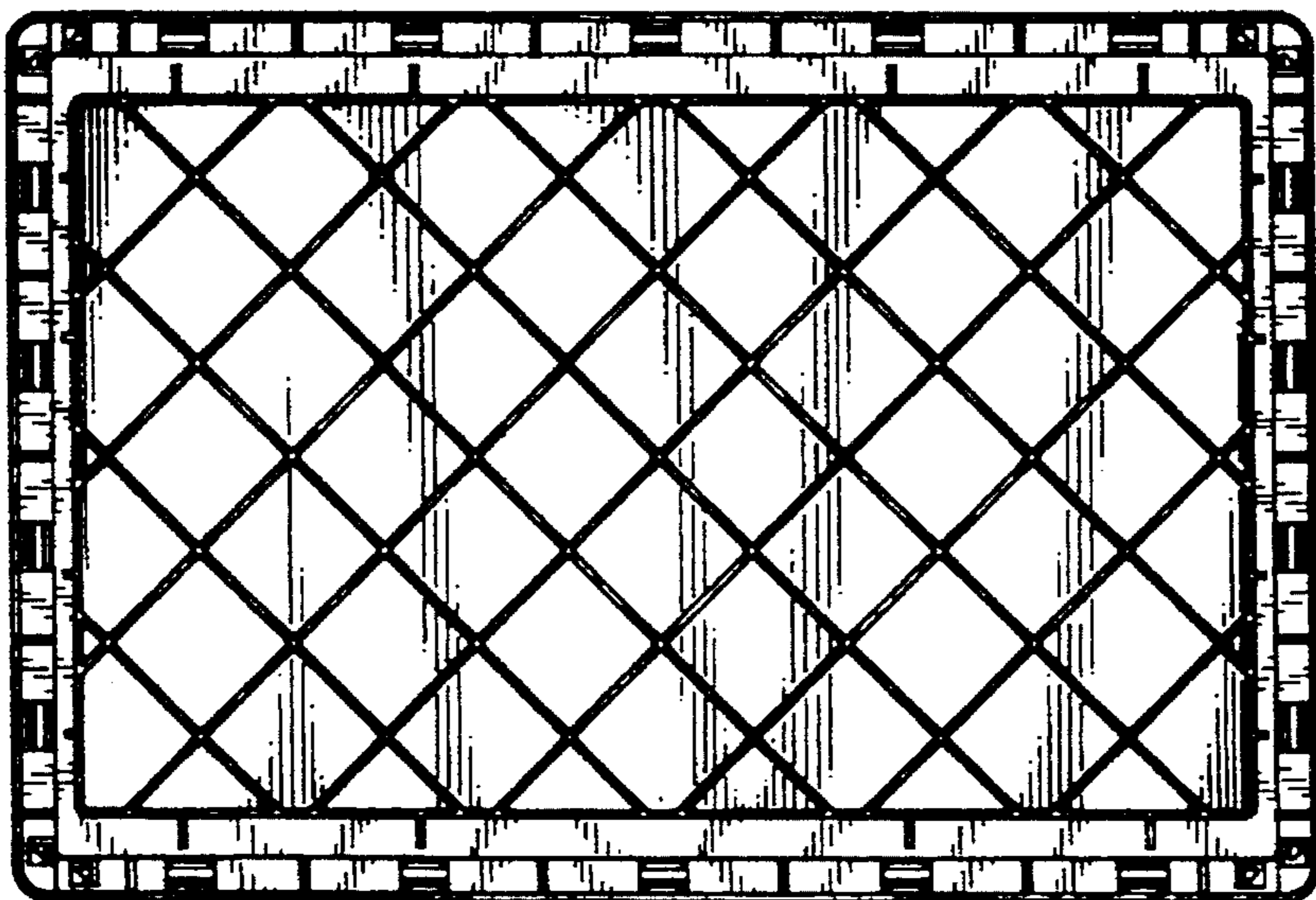


FIG. 6

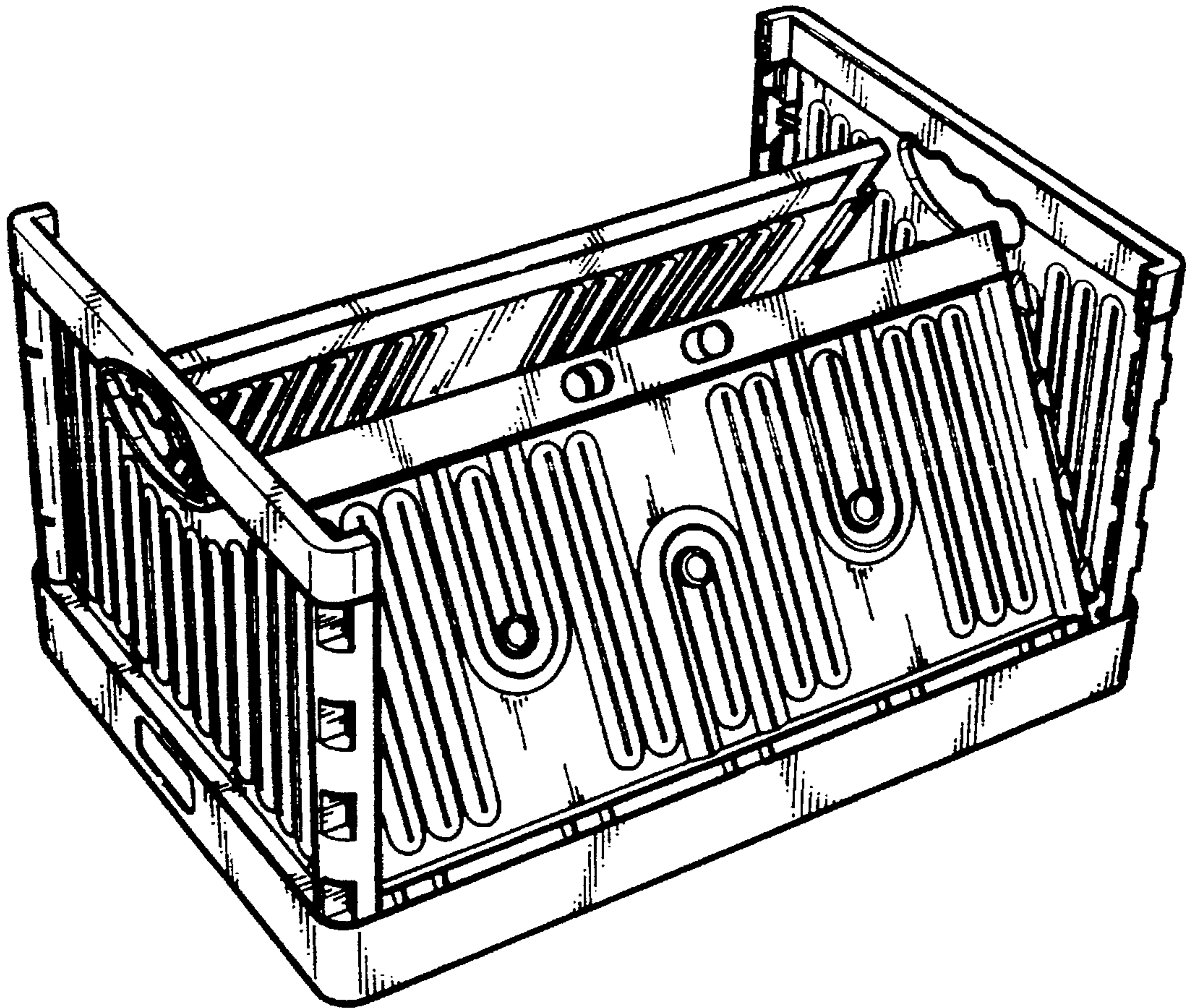


FIG. 7

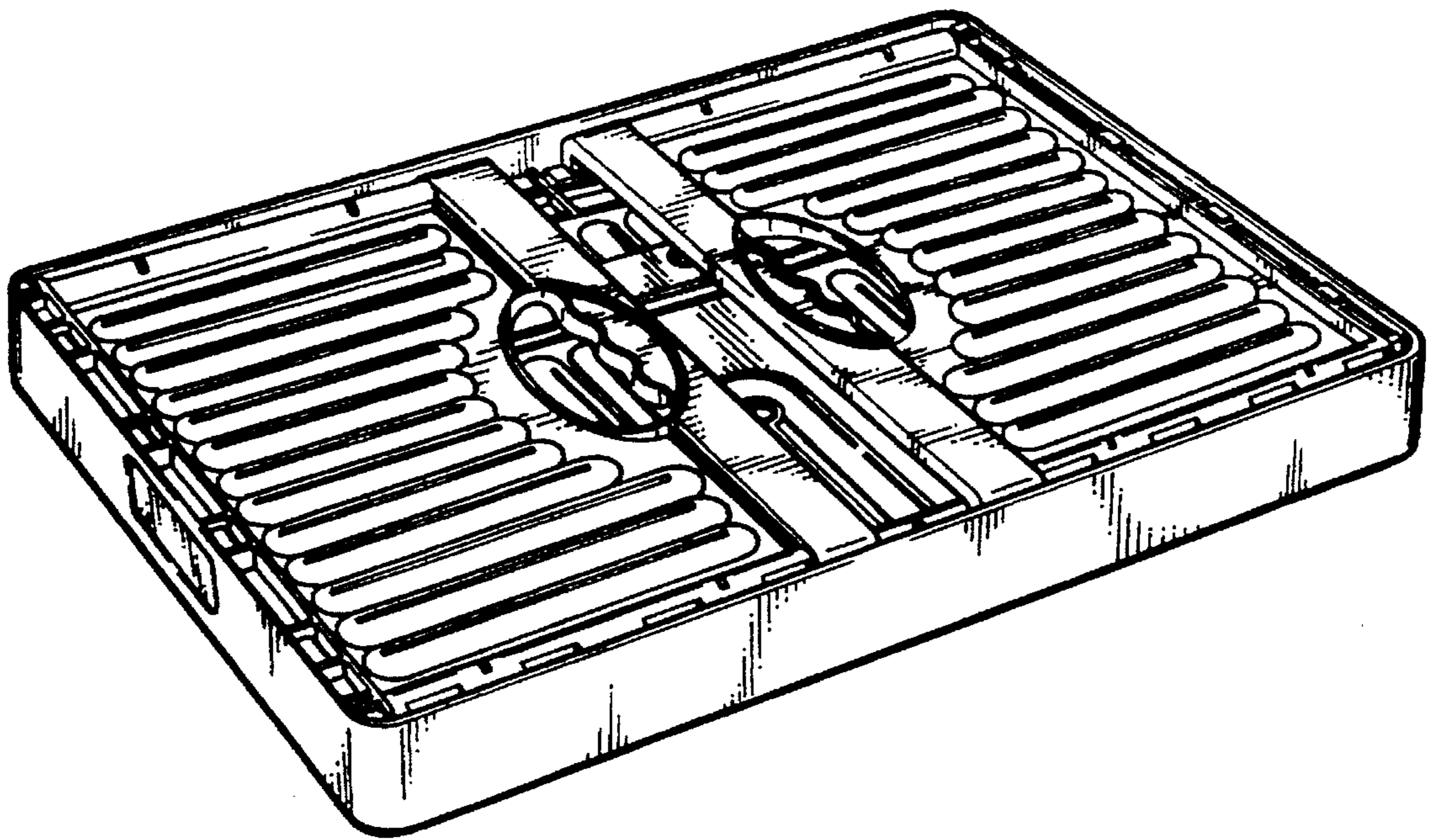


FIG. 8



FIG. 9



FIG. 10

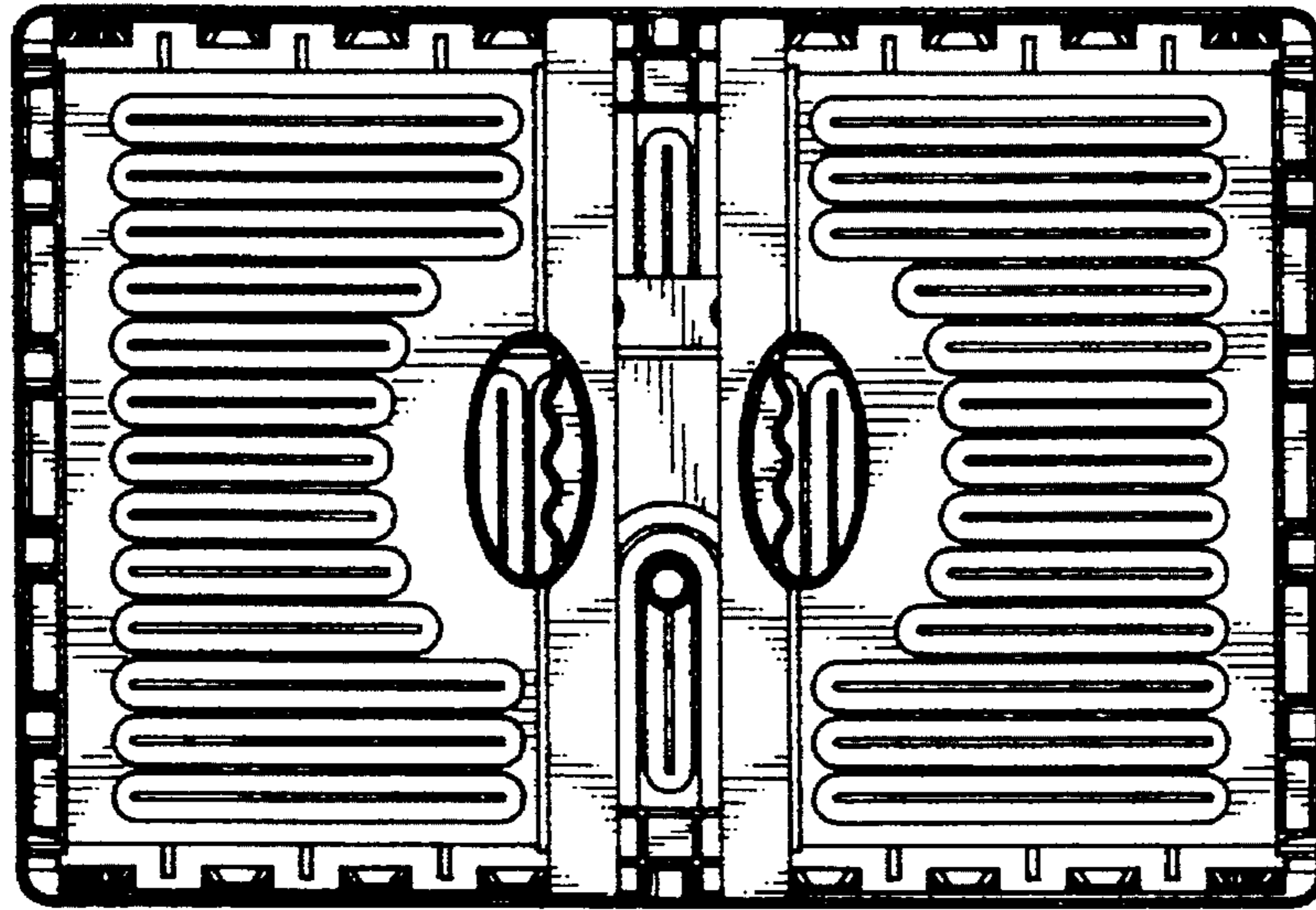


FIG. 11

