



US00D370336S

# United States Patent [19]

Rosier

[11] Patent Number: **Des. 370,336**

[45] Date of Patent: **\*\*Jun. 4, 1996**

[54] SHIELD FOR CAMERA

5,431,364 7/1995 Etter ..... 135/16

[76] Inventor: **Christopher B. Rosier**, 738 Noonan Rd., York, Pa. 17404

*Primary Examiner*—Ralf Seifert  
*Attorney, Agent, or Firm*—Dennis H. Lambert

[\*\*] Term: **14 Years**

### [57] CLAIM

[21] Appl. No.: **37,352**

The ornamental design for a shield for camera, as shown and described.

[22] Filed: **Apr. 11, 1995**

### DESCRIPTION

[52] U.S. Cl. .... **D3/5**

[58] Field of Search ..... D3/5-6; D16/241, D16/237; D29/109; 248/538, 514; 135/16, 88

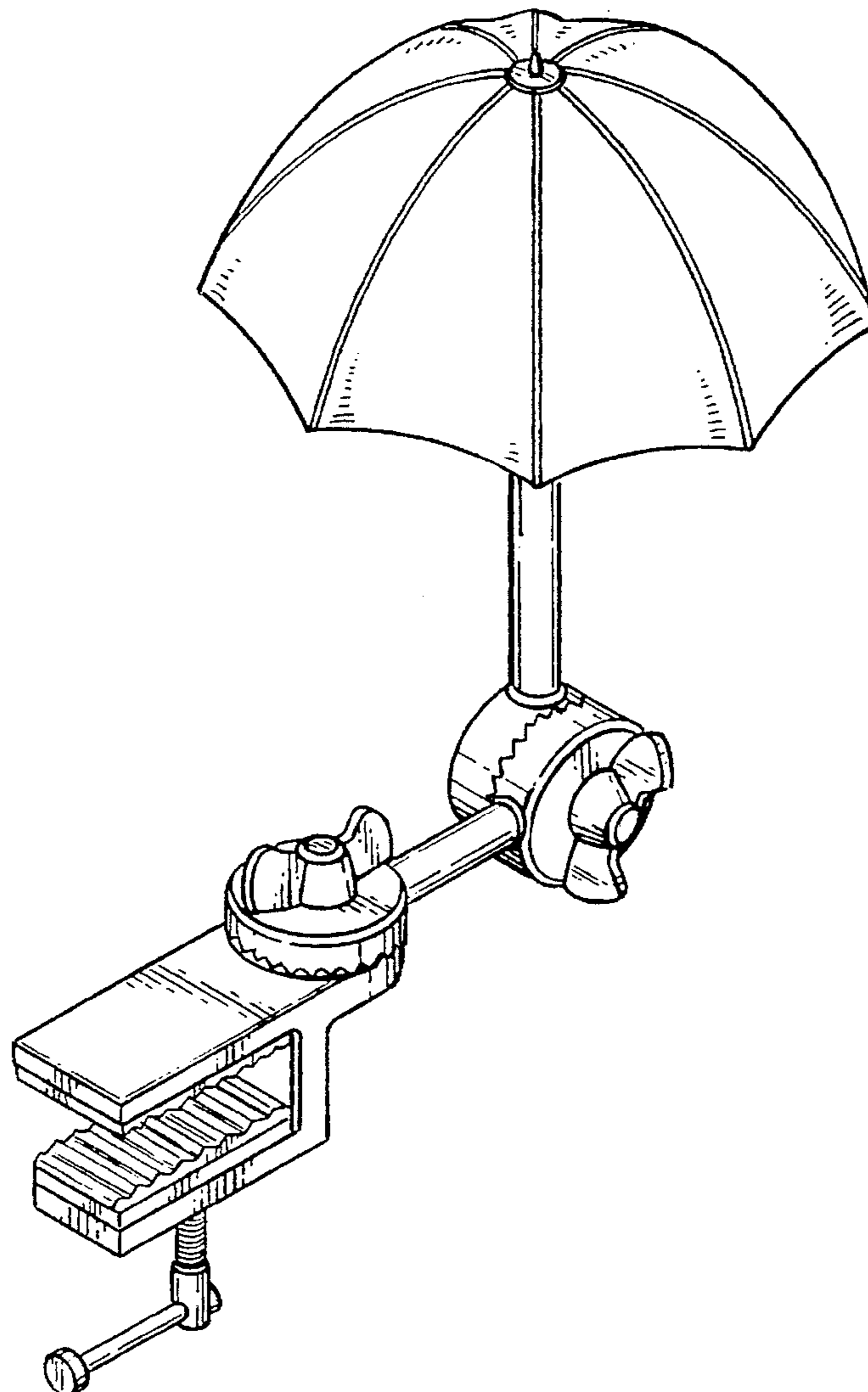
FIG. 1 is a front, top and side perspective view of the shield for camera showing my new design;  
FIG. 2 is a left end elevational view thereof, as seen in FIG. 1;  
FIG. 3 is a right end elevational view thereof, as seen in FIG. 1;  
FIG. 4 is a rear elevational view thereof;  
FIG. 5 is front elevational view thereof;  
FIG. 6 is a top plan view thereof; and,  
FIG. 7 is a bottom plan view thereof.

### [56] References Cited

#### U.S. PATENT DOCUMENTS

D. 343,689	1/1994	Green	135/16
902,459	10/1908	Williams et al.	135/16
3,285,203	11/1966	Meyer	D3/5
3,765,434	10/1973	Riggs	.
4,318,567	3/1982	Guthier	.
5,188,331	2/1993	Baines	.

**1 Claim, 4 Drawing Sheets**



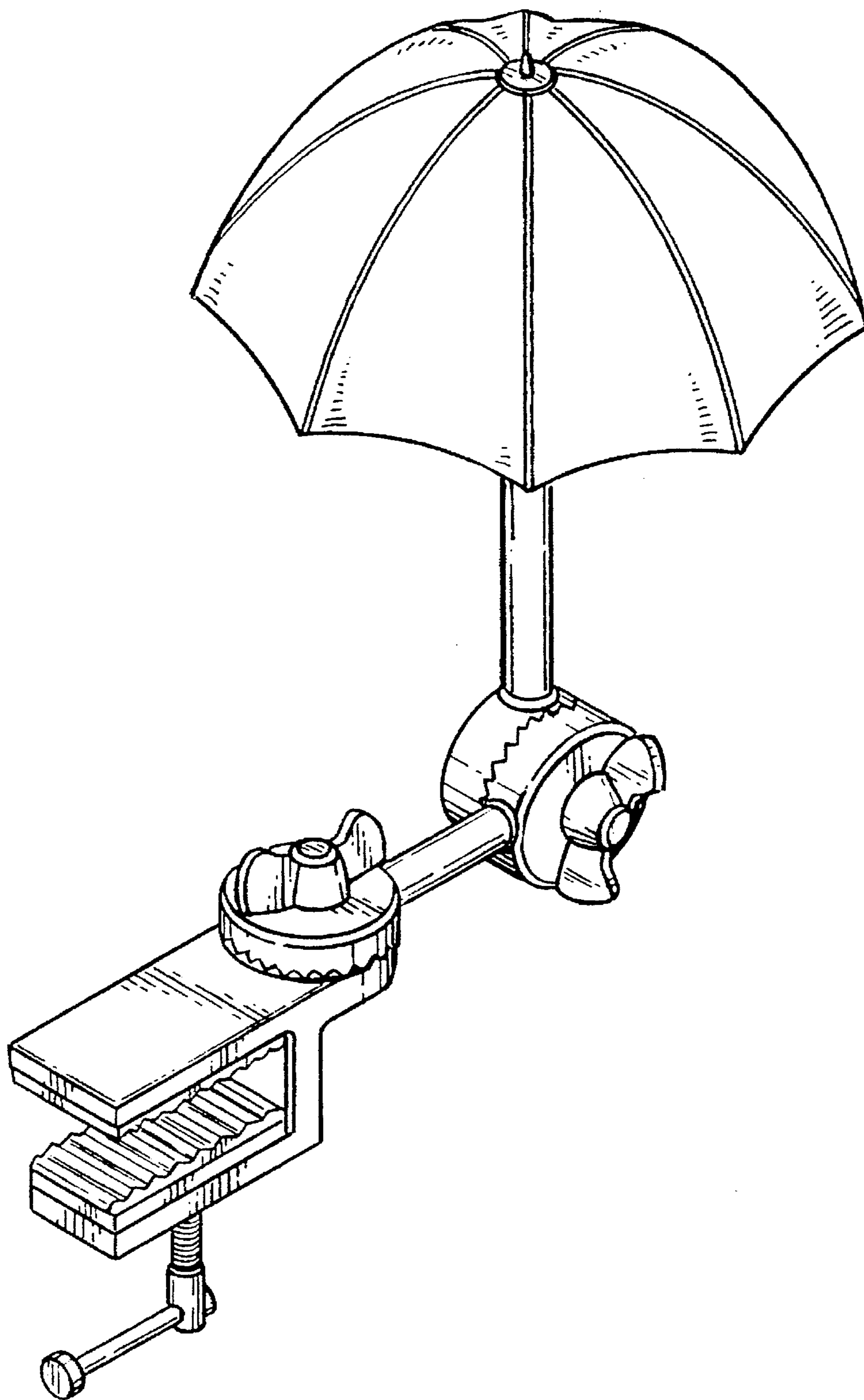


FIG. 1

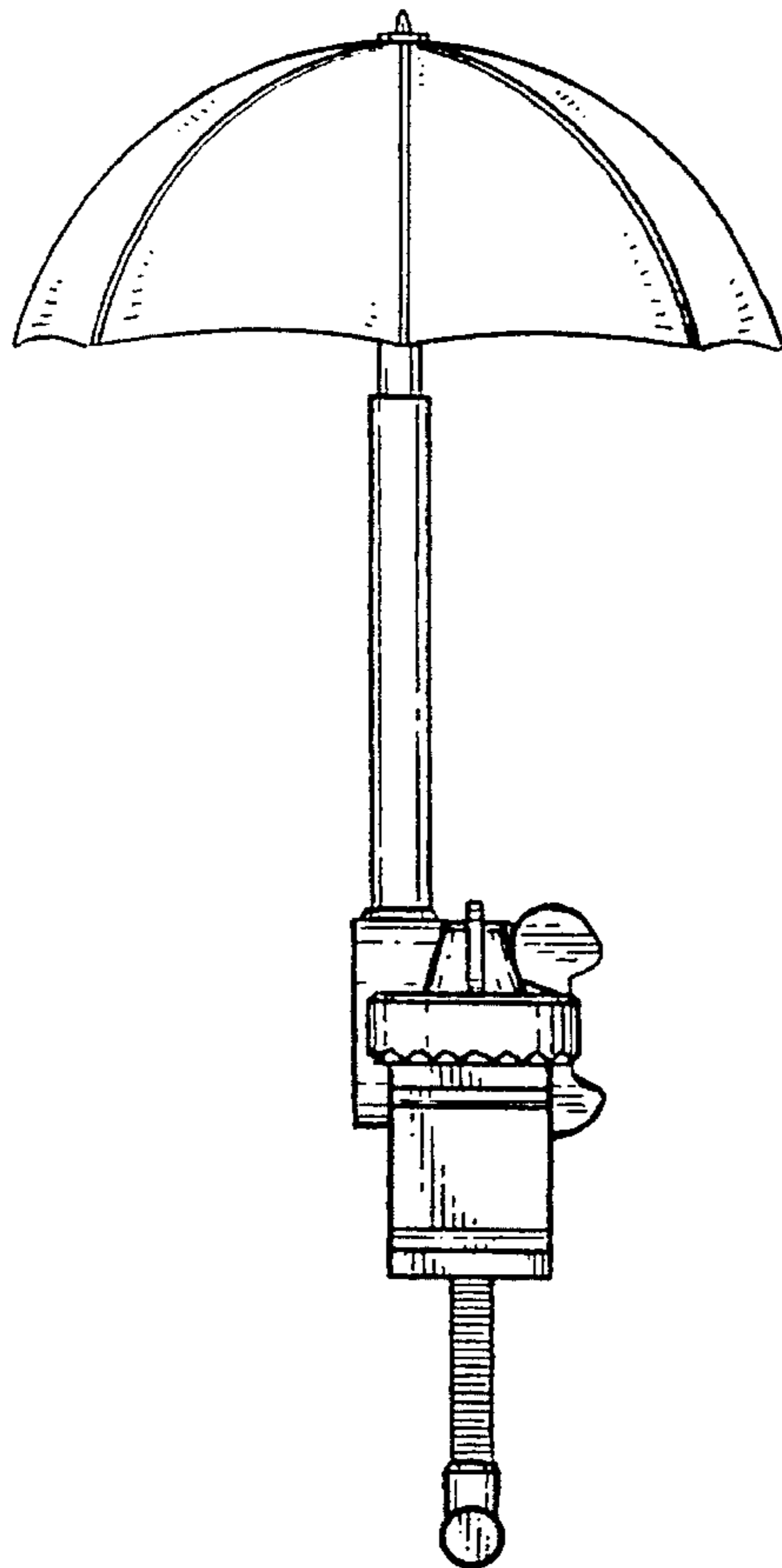


FIG. 2

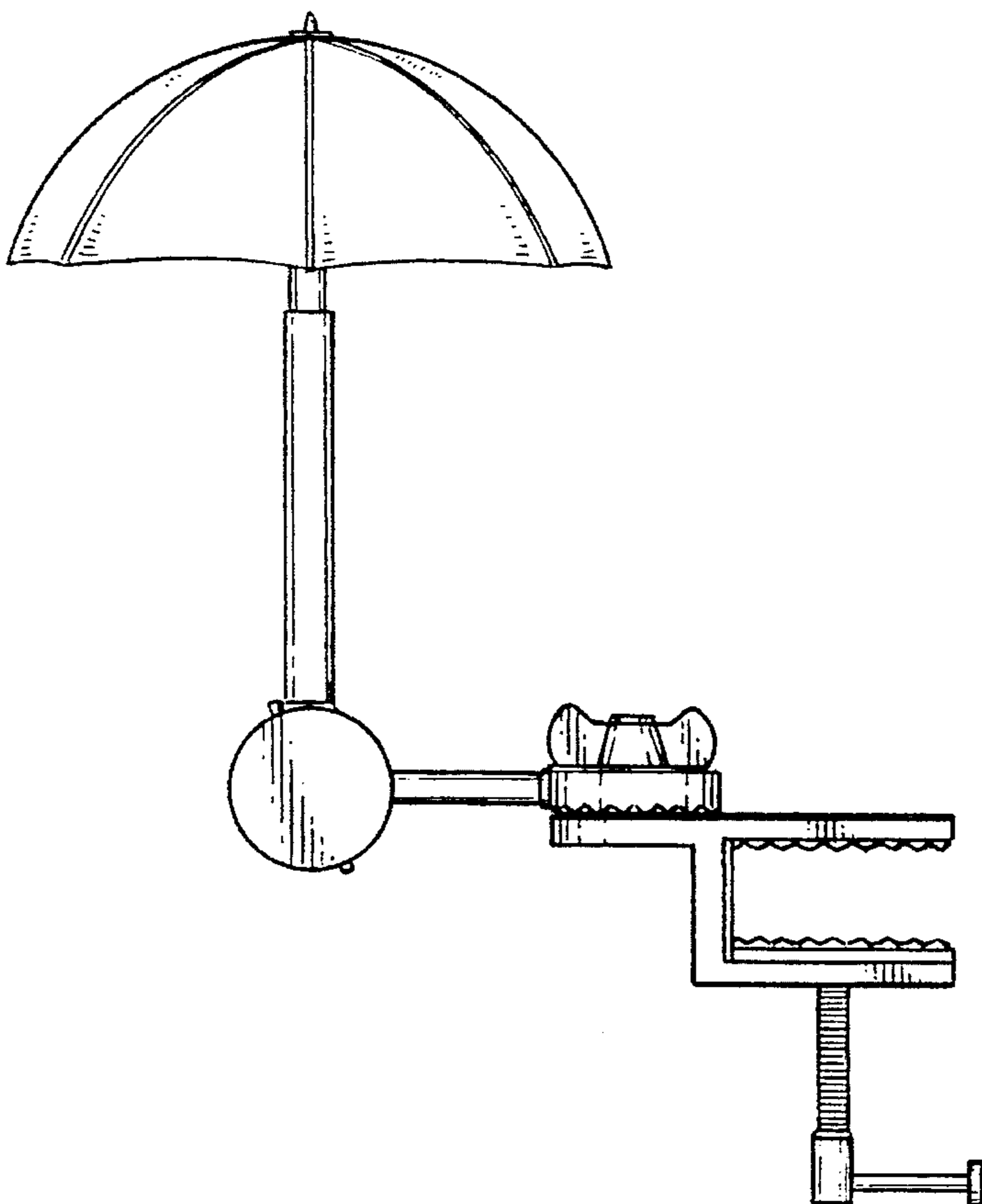


FIG. 4

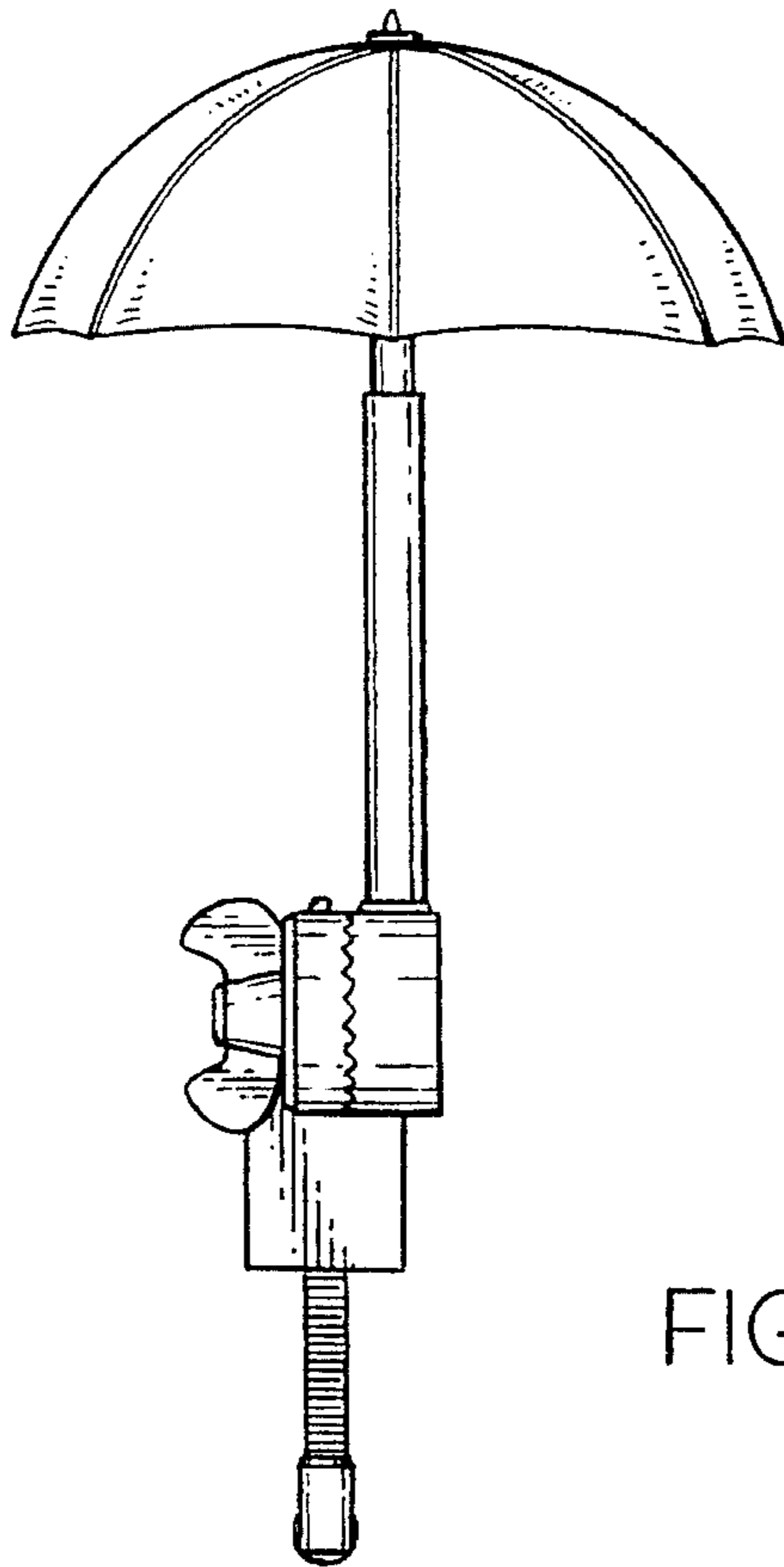


FIG. 3

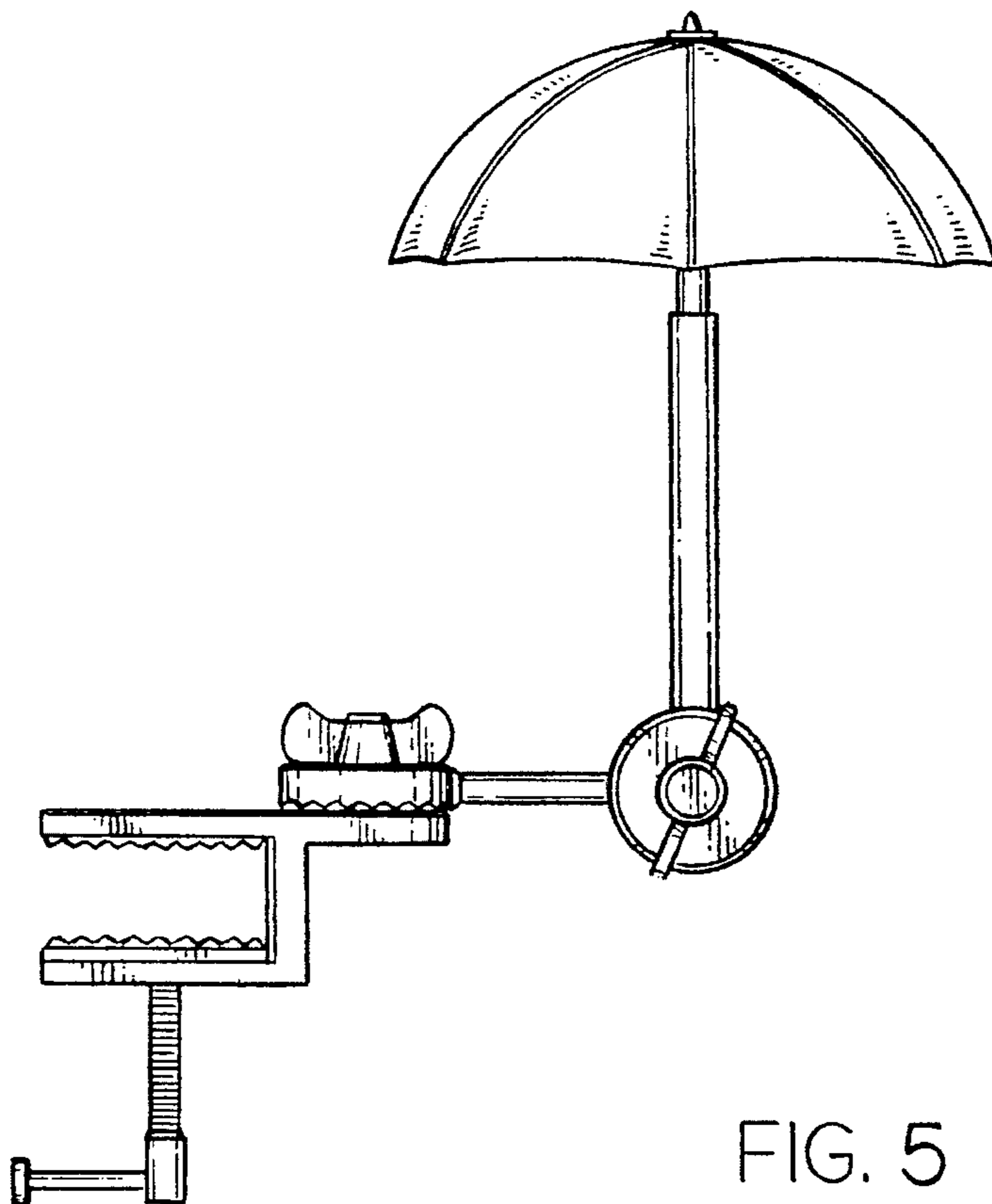


FIG. 5

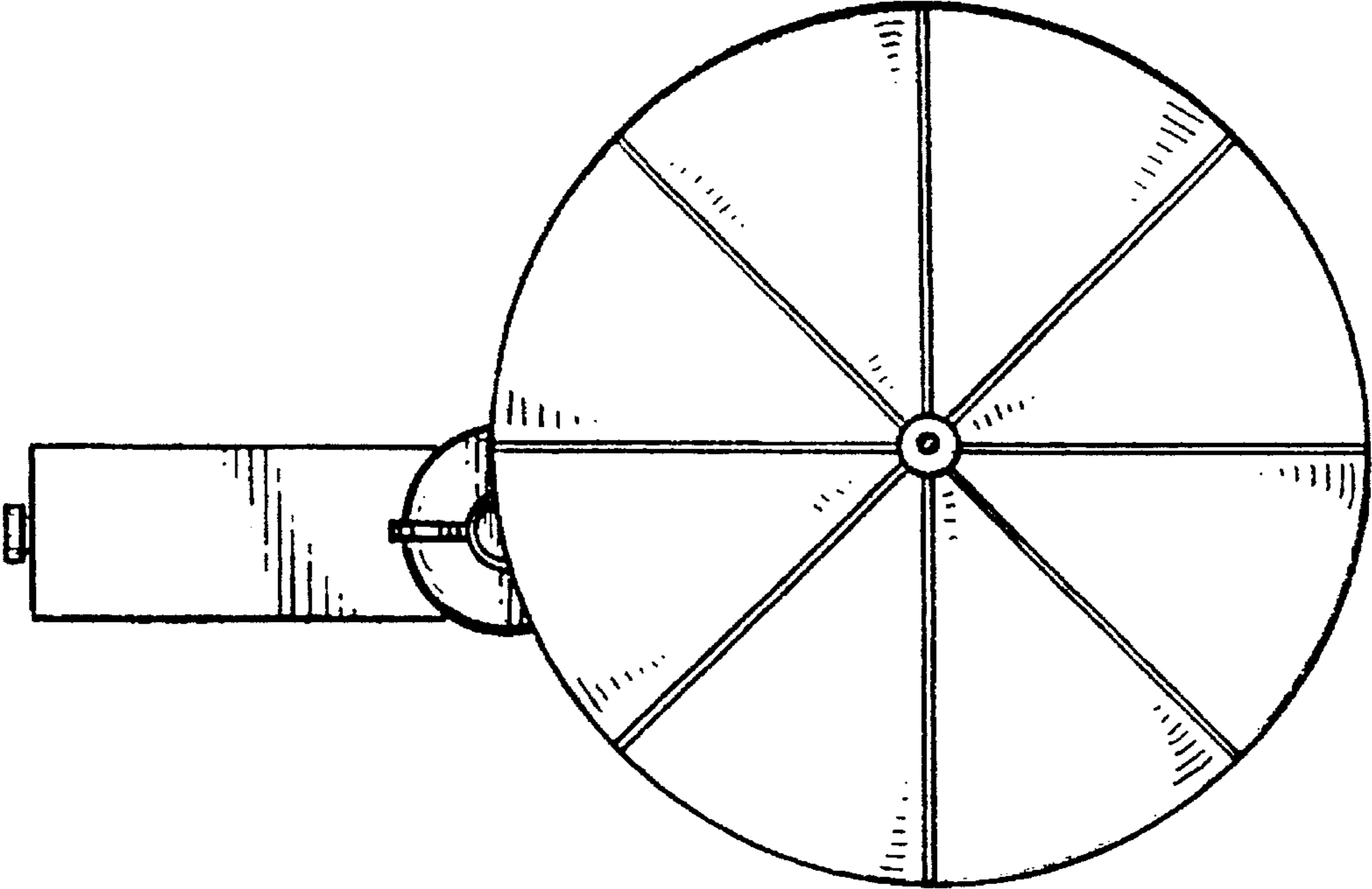


FIG. 6

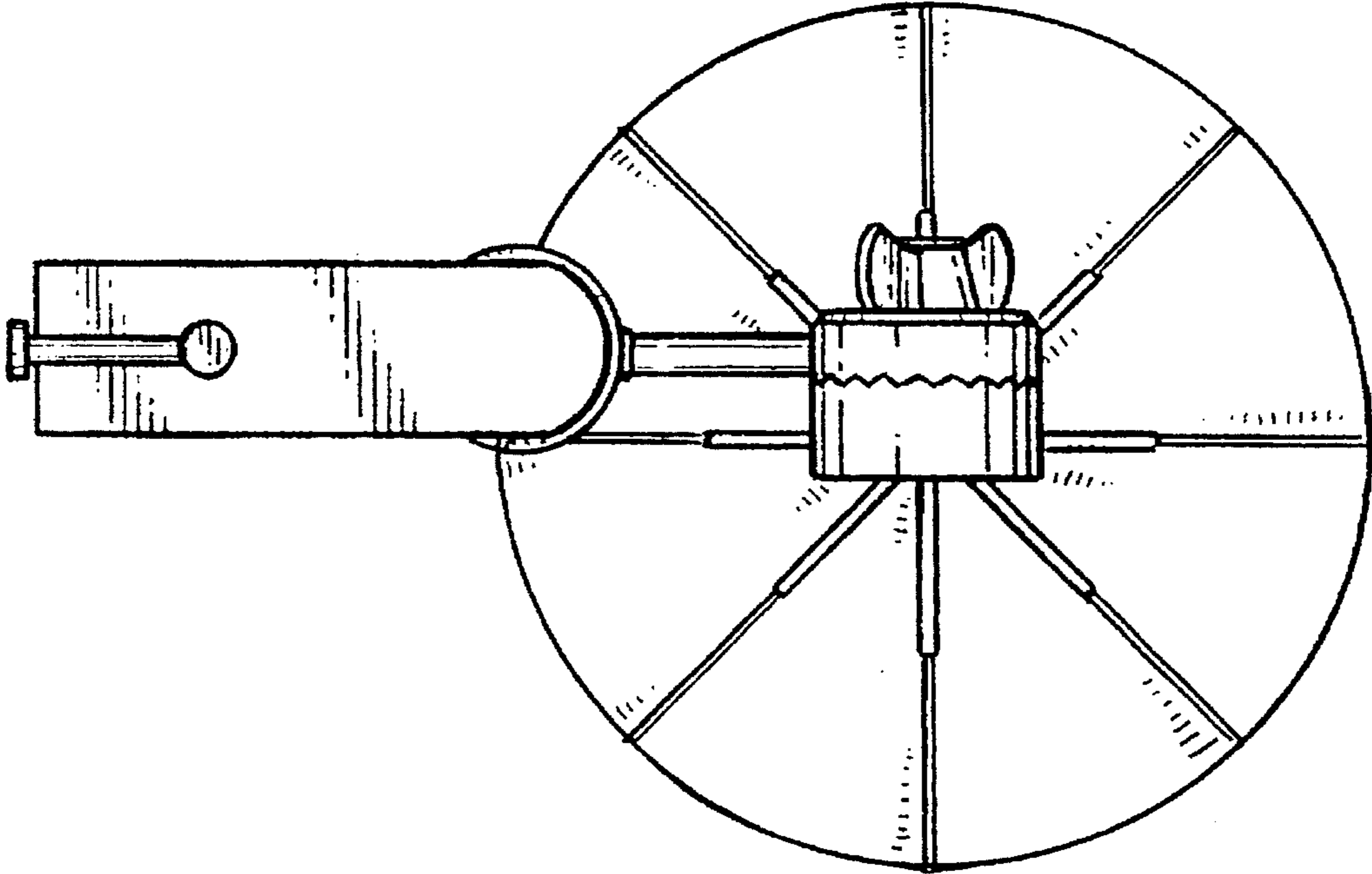


FIG. 7