



US00D370335S

United States Patent [19]
Way

[11] **Patent Number: Des. 370,335**

[45] **Date of Patent: **Jun. 4, 1996**

[54] **COMBINATION FAN AND NOVELTY ITEM**

D. 338,778 8/1993 Routt D3/3
2,208,243 7/1940 Bittson 416/72

[76] Inventor: **Steven E. Way**, 8111 E. 93rd St. S.
#2205, Tulsa, Okla. 74133

Primary Examiner—Louis S. Zarfes

[**] Term: **14 Years**

[57] **CLAIM**

[21] Appl. No.: **949,015**

The ornamental design for a combination fan and novelty item, as shown and described.

[22] Filed: **Sep. 21, 1992**

DESCRIPTION

[52] U.S. Cl. **D3/4**

[58] Field of Search D3/1-4, 44; 416/70 R-73;
D20/29

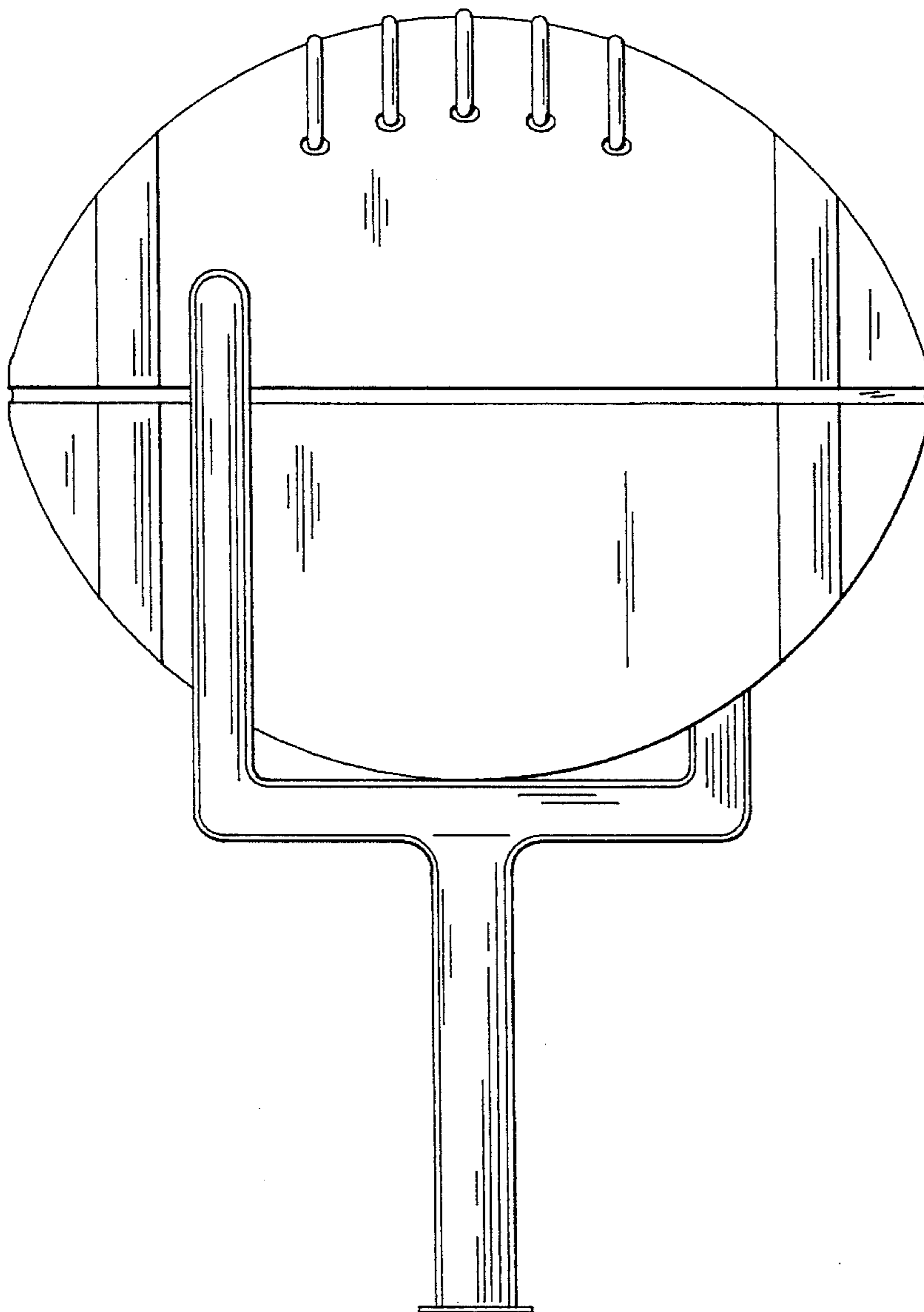
FIG. 1 is a front elevational view of a combination fan and novelty item showing my new design;
FIG. 2 is a top view thereof;
FIG. 3 is a bottom view thereof; and,
FIG. 4 is a right side elevational view thereof.
The left side elevational view is identical to the right side elevational view.
The rear elevational view is identical to the front elevational view shown in FIG. 1.

[56] **References Cited**

U.S. PATENT DOCUMENTS

- D. 31,022 6/1899 Minard D3/4
- D. 55,389 6/1920 Levett D3/4
- D. 169,585 5/1953 Goodstein D20/29 X
- D. 231,590 5/1974 McKinney D3/44 X
- D. 302,072 7/1989 Schroeder D3/3

1 Claim, 2 Drawing Sheets



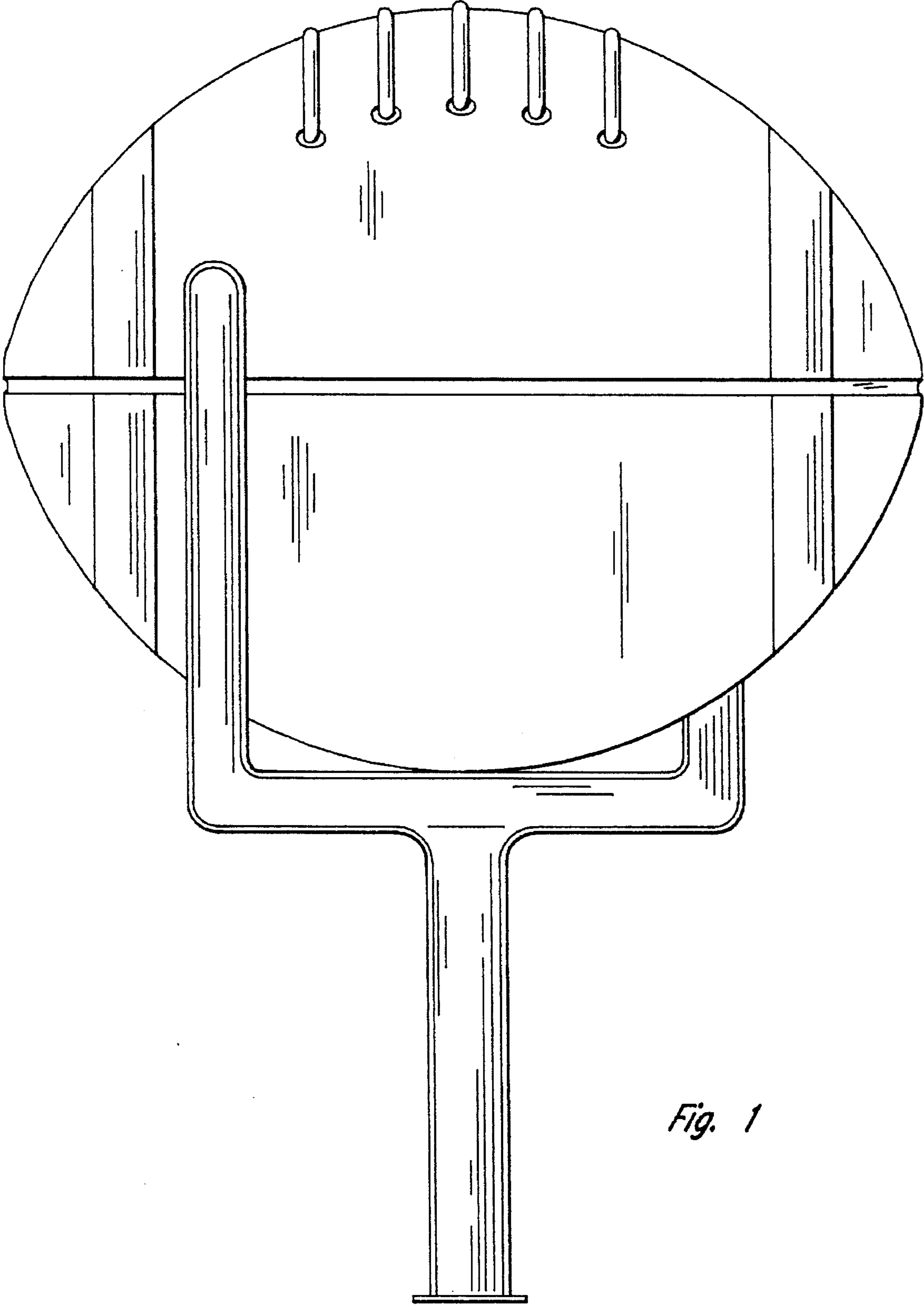


Fig. 1

