



US00D370331S

United States Patent [19]
Haas

[11] **Patent Number:** **Des. 370,331**
[45] **Date of Patent:** ****Jun. 4, 1996**

[54] **ICECREAM CONE**

D. 319,912 9/1991 Buttermann, Jr. D1/116
2,877,117 3/1959 Heyman 426/139

[76] Inventor: **Nada Haas**, Wildpretmarkt 1/12,
A-1010 Wien, Austria

[**] Term: **14 Years**

Primary Examiner—A. Hugo Word
Assistant Examiner—Pamela Burgess
Attorney, Agent, or Firm—Herbert Dubno

[21] Appl. No.: **37,015**

[57] **CLAIM**

[22] Filed: **Apr. 3, 1995**

The ornamental design for an icecream cone, as shown and described.

Related U.S. Application Data

DESCRIPTION

[62] Division of Ser. No. 14,433, Oct. 21, 1993, Pat. No. Des. 370,331.

FIG. 1 is a top, front perspective view of an icecream cone embodying my new design, the sides and back being identical to the view shown;

[30] **Foreign Application Priority Data**

Apr. 22, 1993 [AT] Austria MU1264/93
Aug. 30, 1993 [AT] Austria MU2416/93
Aug. 30, 1993 [AT] Austria MU2417/93
Aug. 30, 1993 [AT] Austria MU2421/93

FIG. 2 is a bottom perspective view thereof;

FIG. 3 is a top view thereof;

FIG. 4 is a bottom view thereof;

[52] **U.S. Cl.** **D1/118**

FIG. 5 is a top, front perspective view of a second embodiment thereof;

[58] **Field of Search** D1/116, 117, 118,
D1/122, 106; 426/95, 101, 139, 514, 143,
132

FIG. 6 is a bottom perspective view thereof;

FIG. 7 is a top view thereof; and,

FIG. 8 is a bottom view thereof.

[56] **References Cited**

U.S. PATENT DOCUMENTS

D. 307,660 5/1990 Kim D1/118

1 Claim, 4 Drawing Sheets

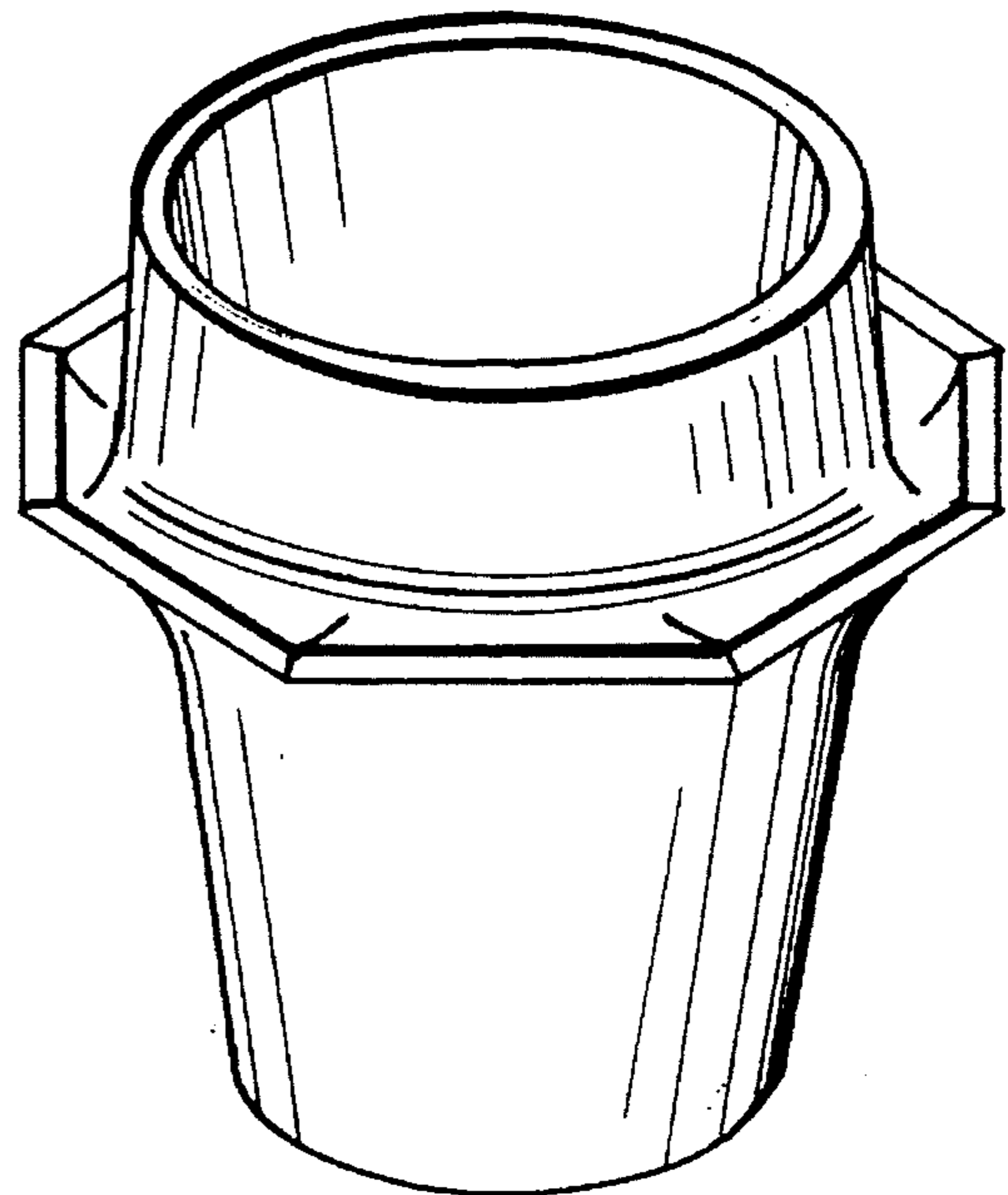
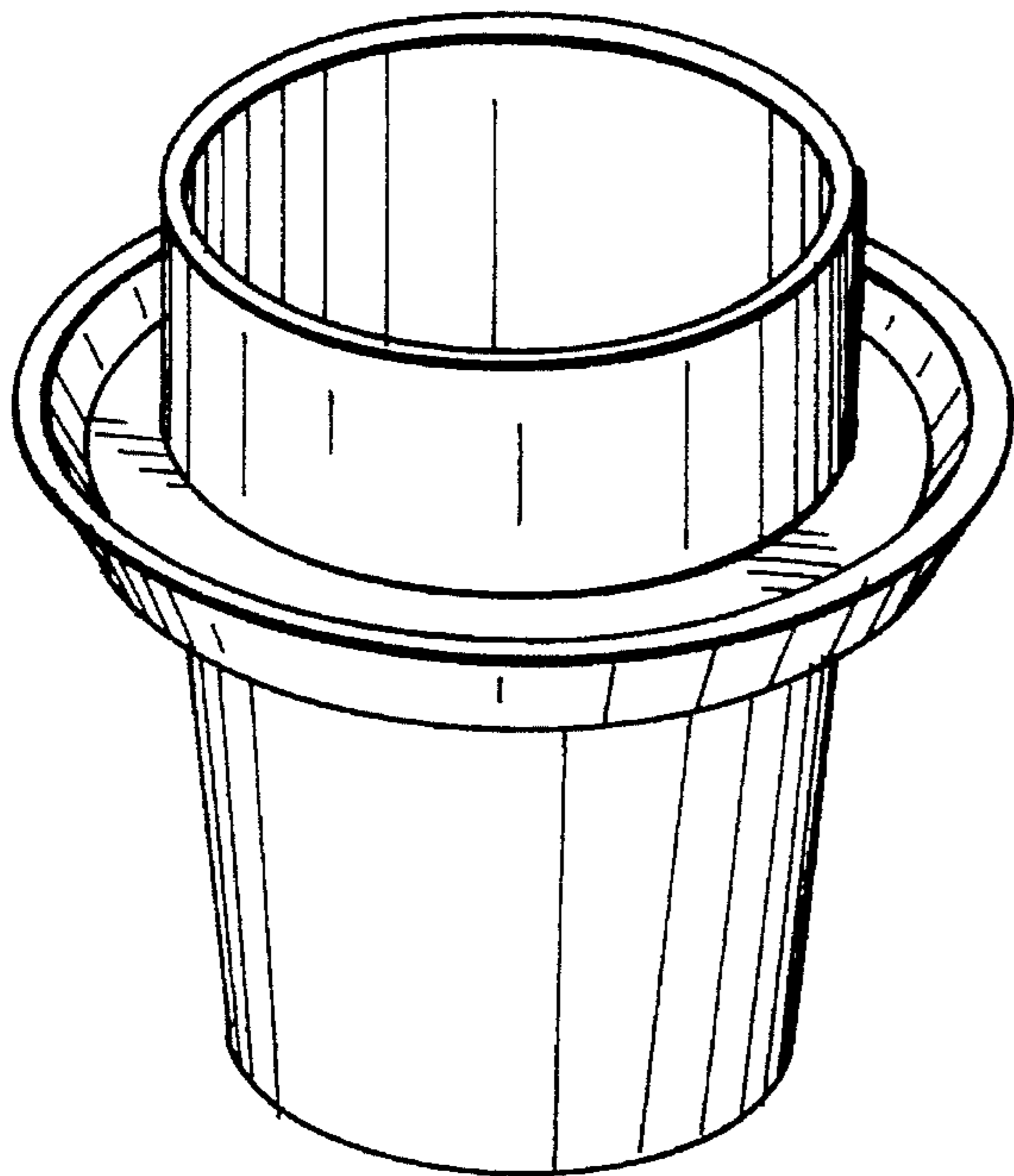


FIG. 1

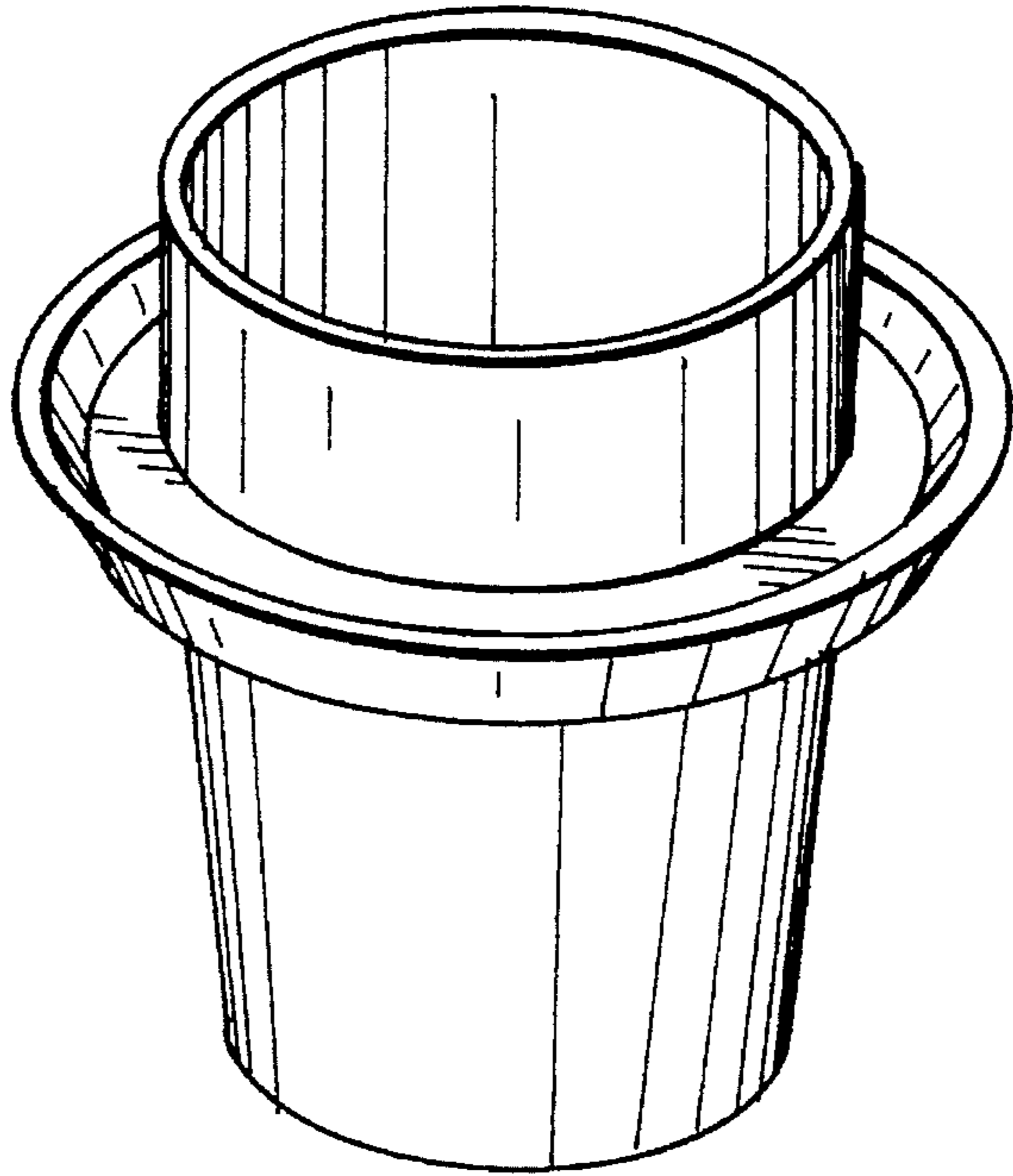


FIG. 2

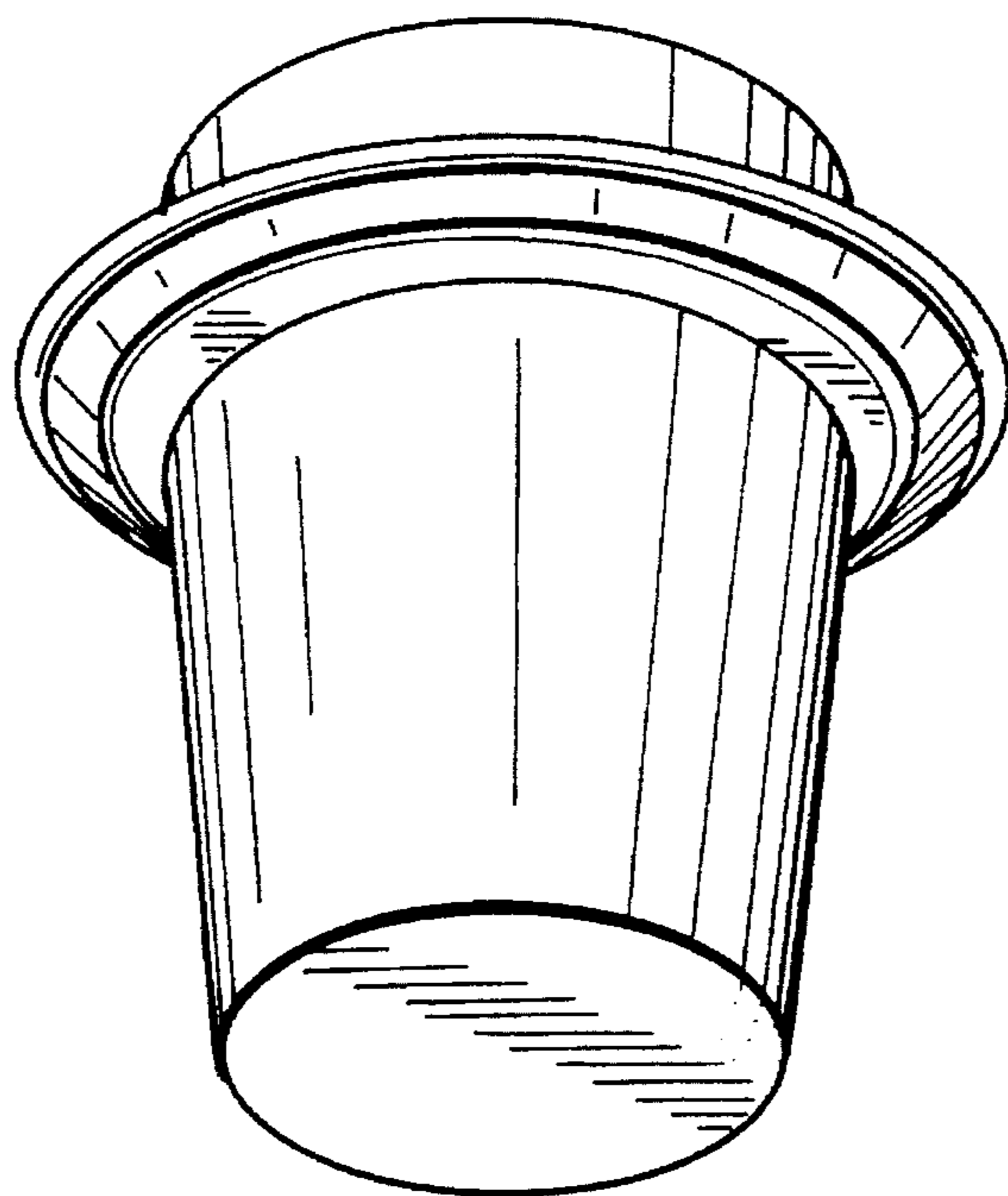


FIG. 3

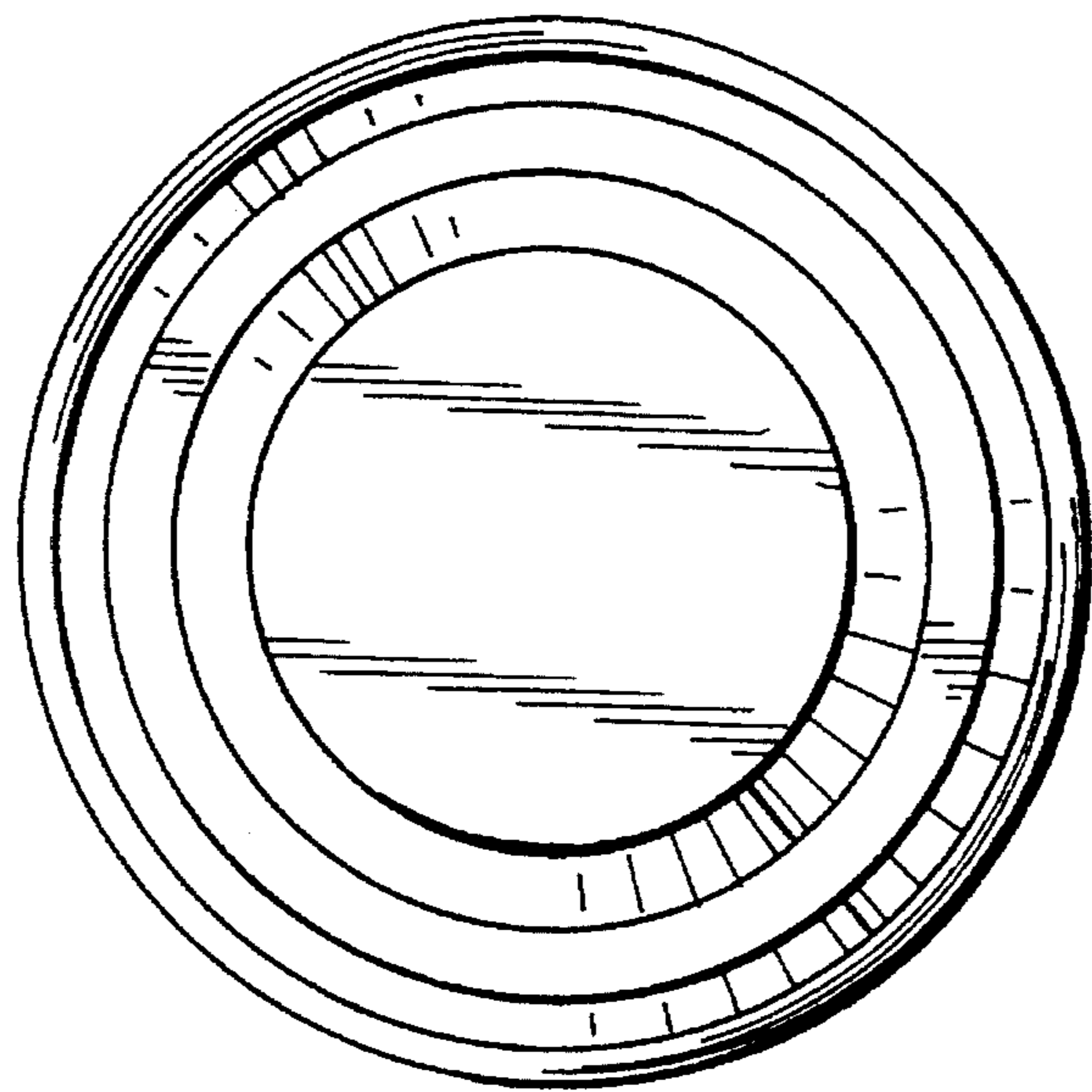
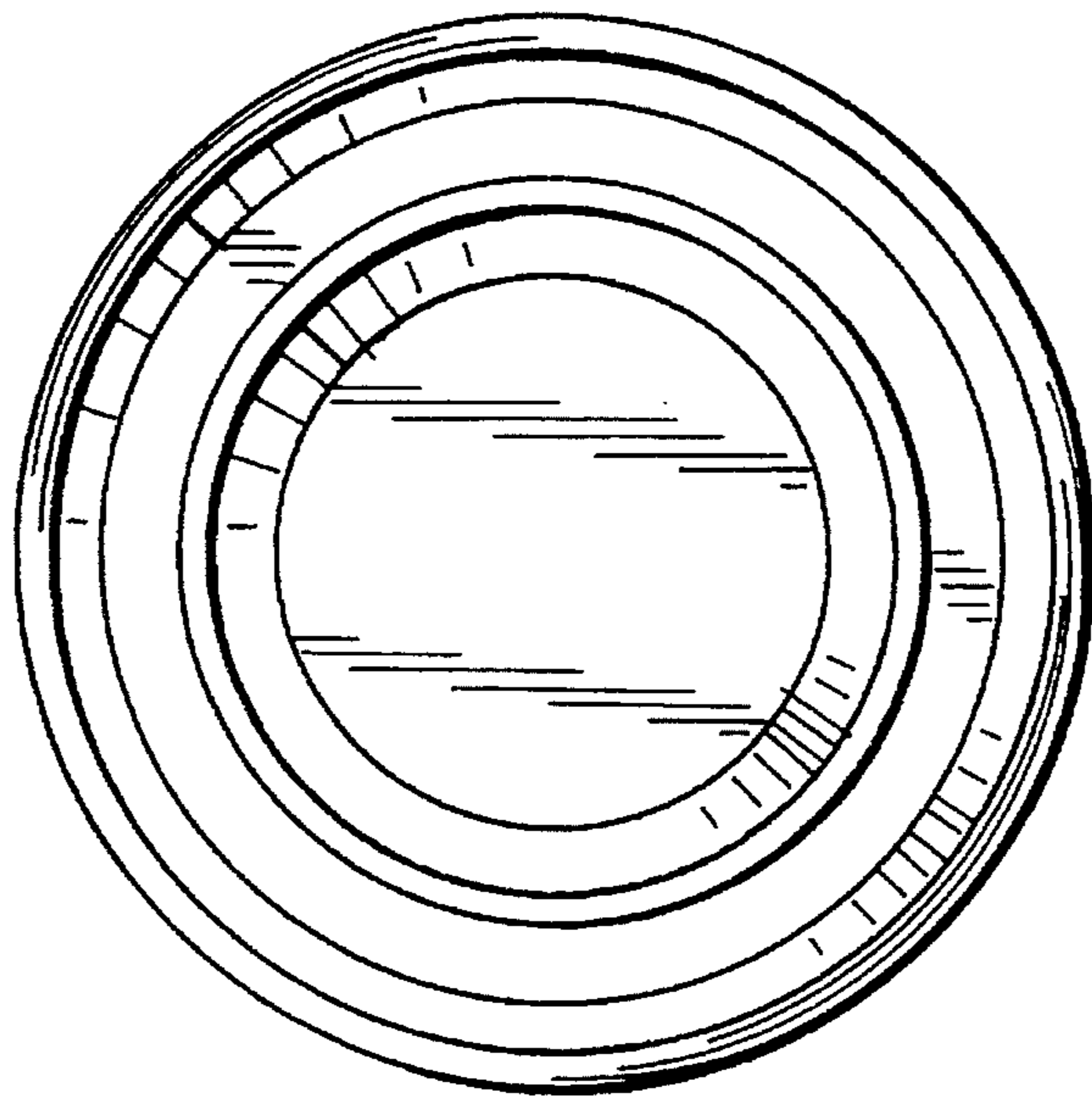


FIG. 4

FIG. 6

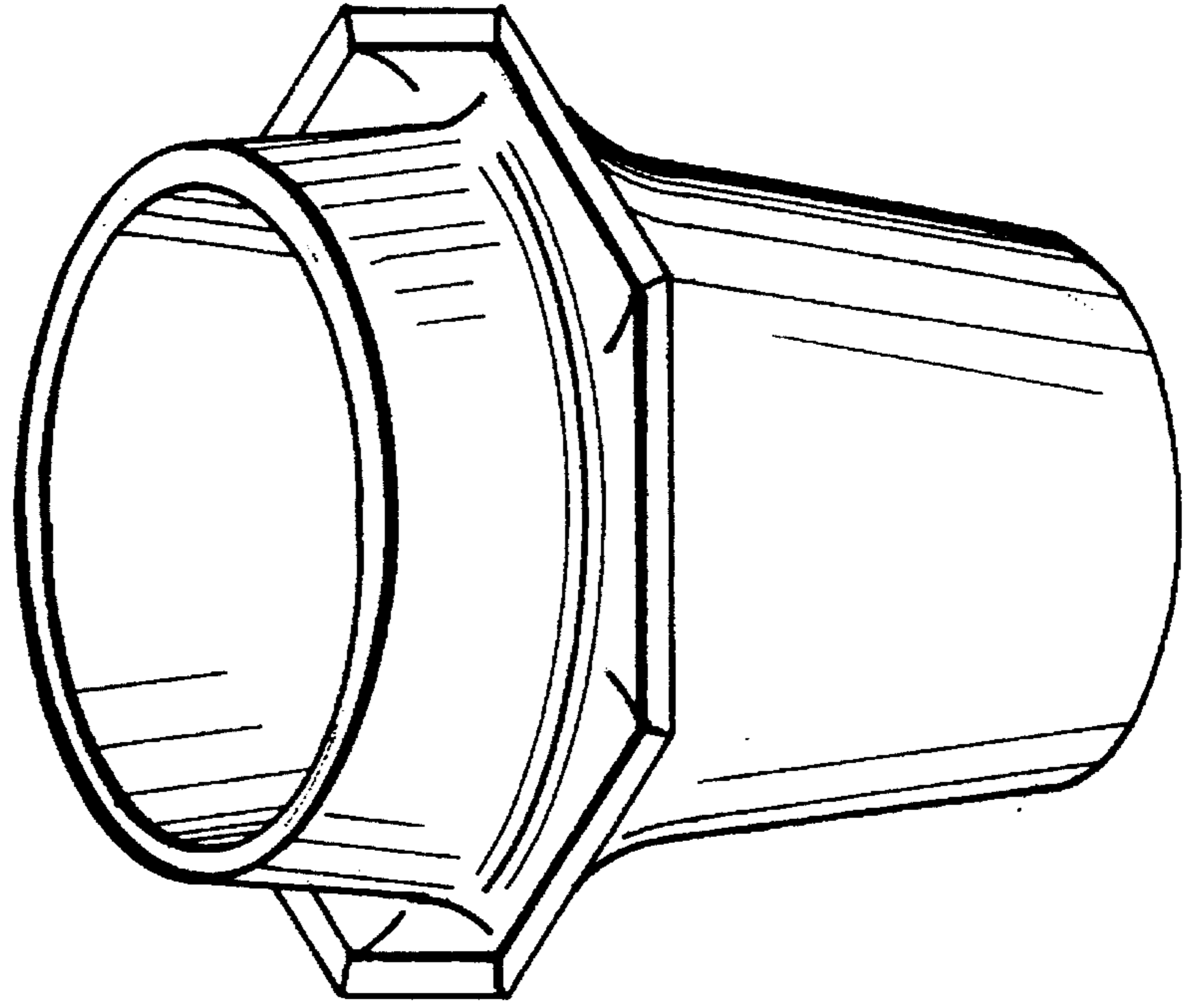


FIG. 5

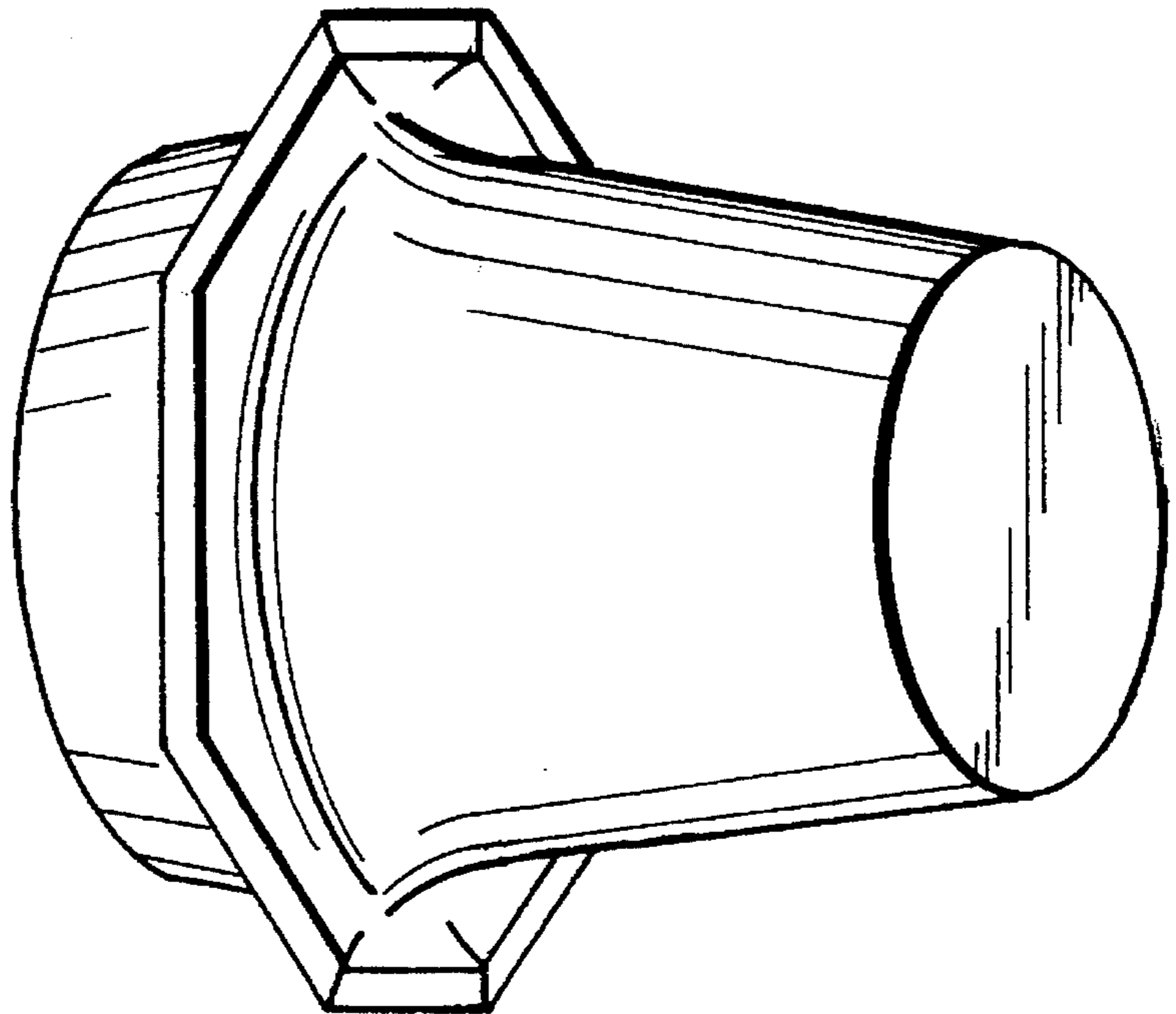


FIG. 8

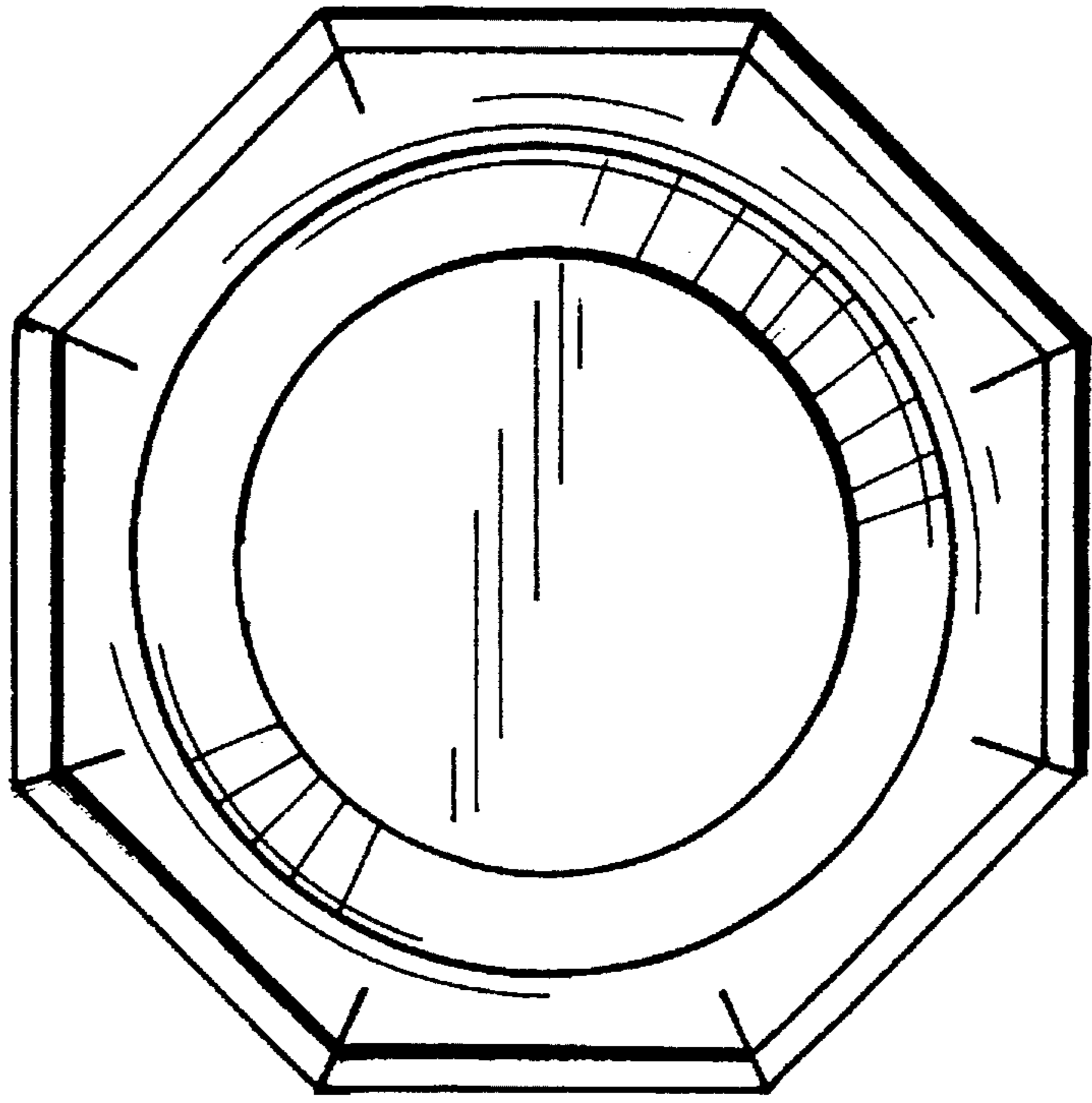


FIG. 7

