



US00D370330S

United States Patent [19]

Carpenter et al.

[11] Patent Number: **Des. 370,330**

[45] Date of Patent: ****May 28, 1996**

[54] **STOCK CART**

[75] Inventors: **Jerry D. Carpenter**, Ravenswood;
Charles E. Shedd, Millwood, both of
W. Va.

[73] Assignee: **Stock-Rite Cart Company, Inc.**,
Millwood, W. Va.

[**] Term: **14 Years**

[21] Appl. No.: **33,012**

[22] Filed: **Jan. 3, 1995**

[52] U.S. Cl. **D34/21; D34/17**

[58] Field of Search **D34/12-27; 280/79.11,**
280/79.2, 651, 47.26, 47.34, 47.35

[56] **References Cited**

U.S. PATENT DOCUMENTS

D. 140,635	3/1945	Bartel	D14/3
D. 163,604	6/1951	Hoey	D14/3
D. 354,597	1/1995	Crane	D34/12
2,201,533	5/1940	Goldman	280/50
2,311,422	2/1943	Walling	280/50

2,377,043	5/1945	Samuelson	228/6
4,165,088	8/1979	Nelson	280/47.35
4,298,099	11/1981	Isaacs	186/58
4,512,591	4/1985	Plante	280/47.35
5,324,054	6/1994	Kleier	280/79.2
5,326,117	7/1994	Cook	280/79.2

Primary Examiner—Kay H. Chin

[57] **CLAIM**

The ornamental design for a stock cart, as shown and described.

DESCRIPTION

FIG. 1 is a top and left side perspective view of a stock cart showing our new design;
 FIG. 2 is a top plan view thereof;
 FIG. 3 is a front elevational view thereof;
 FIG. 4 is a side elevational view thereof with a ladder member in folded condition;
 FIG. 5 is a right side elevational view thereof;
 FIG. 6 is a rear elevational view thereof with a tray member lowered and the ladder member in folded condition; and,
 FIG. 7 is a bottom plan view of FIG. 6.

1 Claim, 4 Drawing Sheets

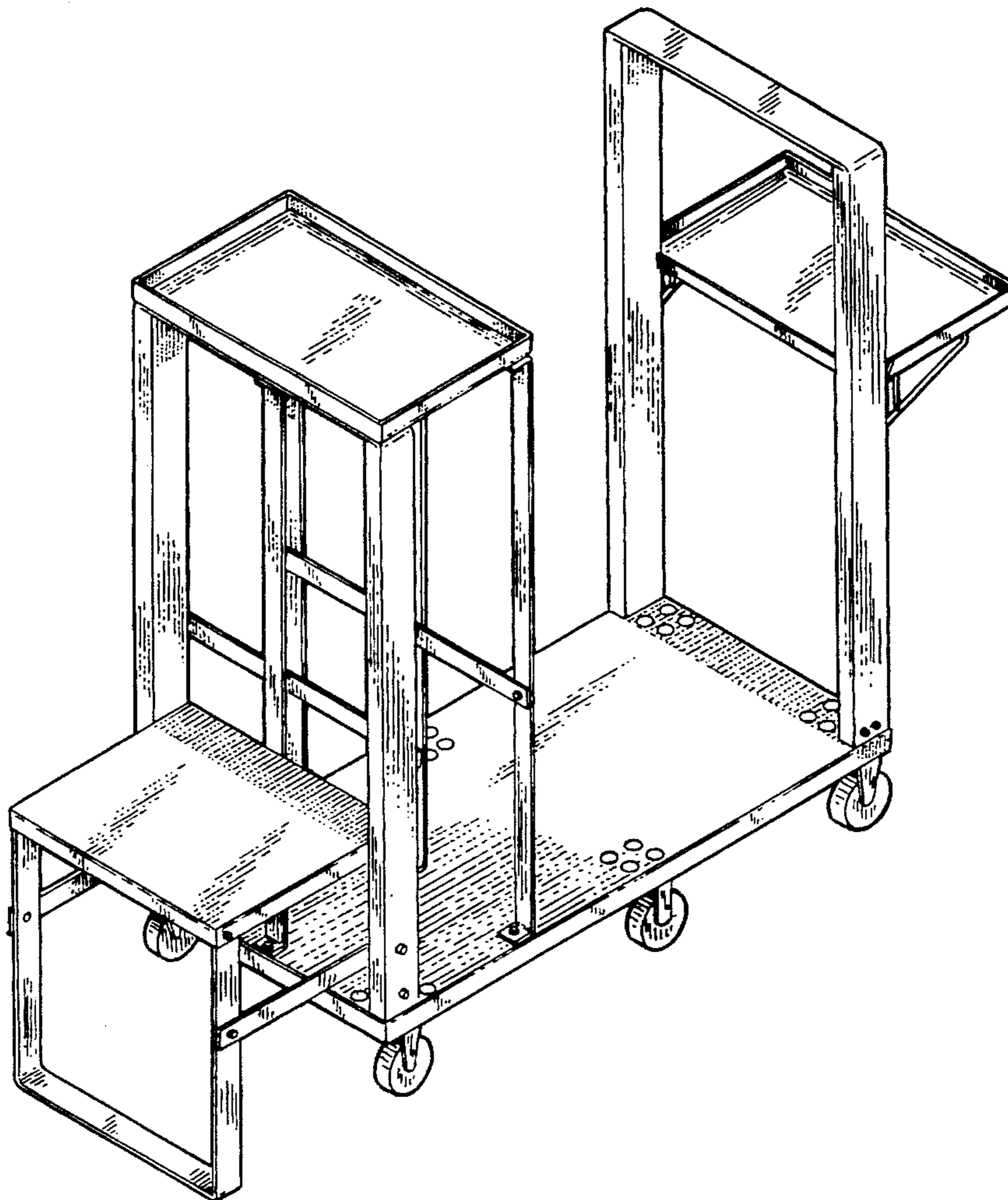


FIG - 1

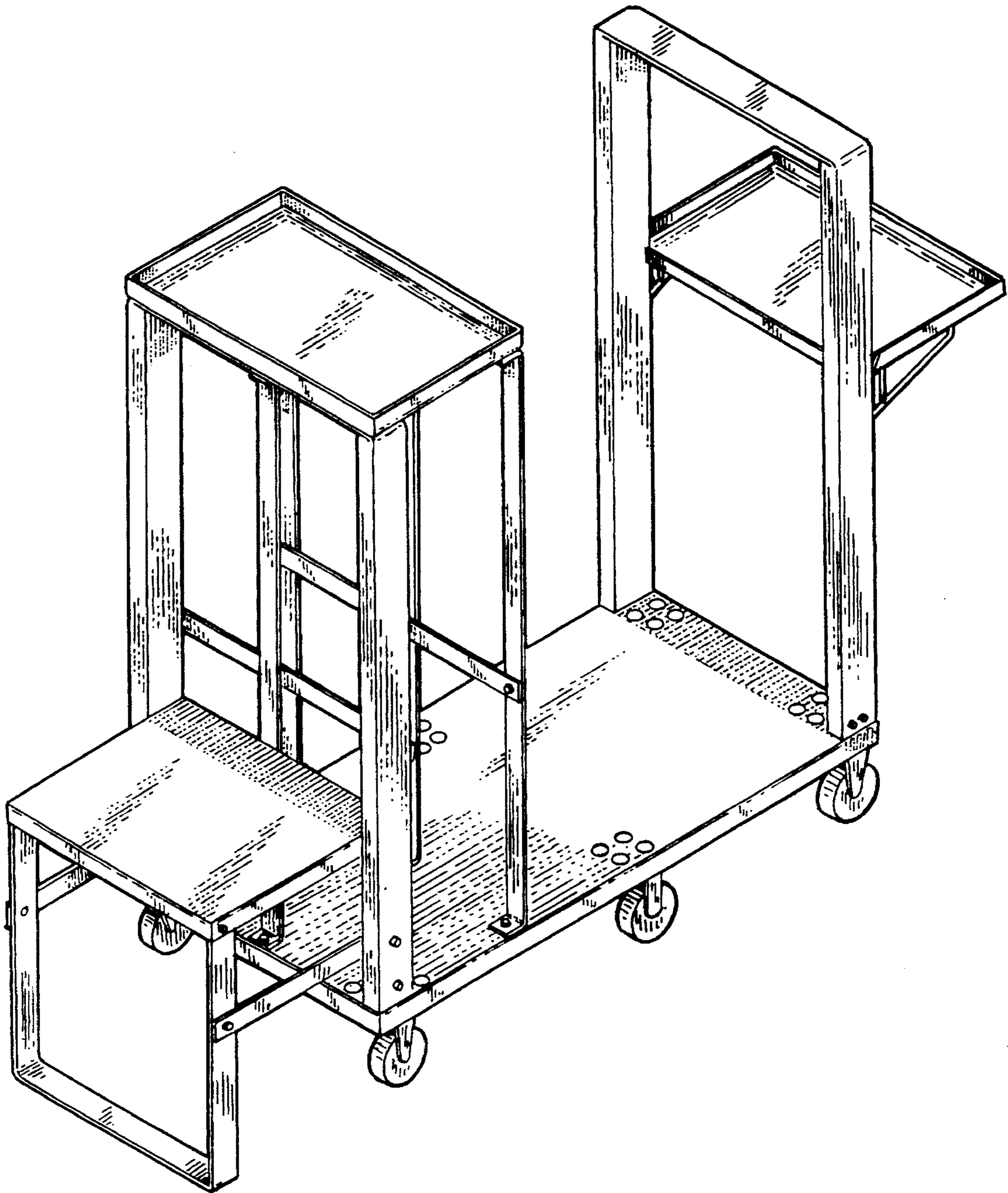


FIG - 2

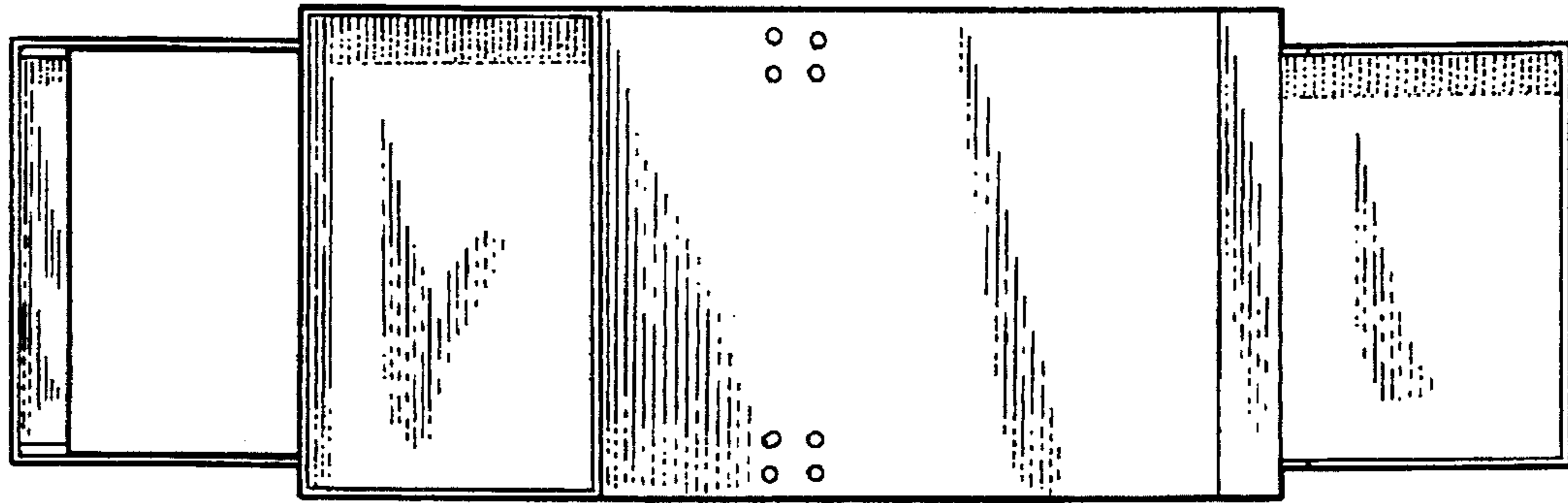
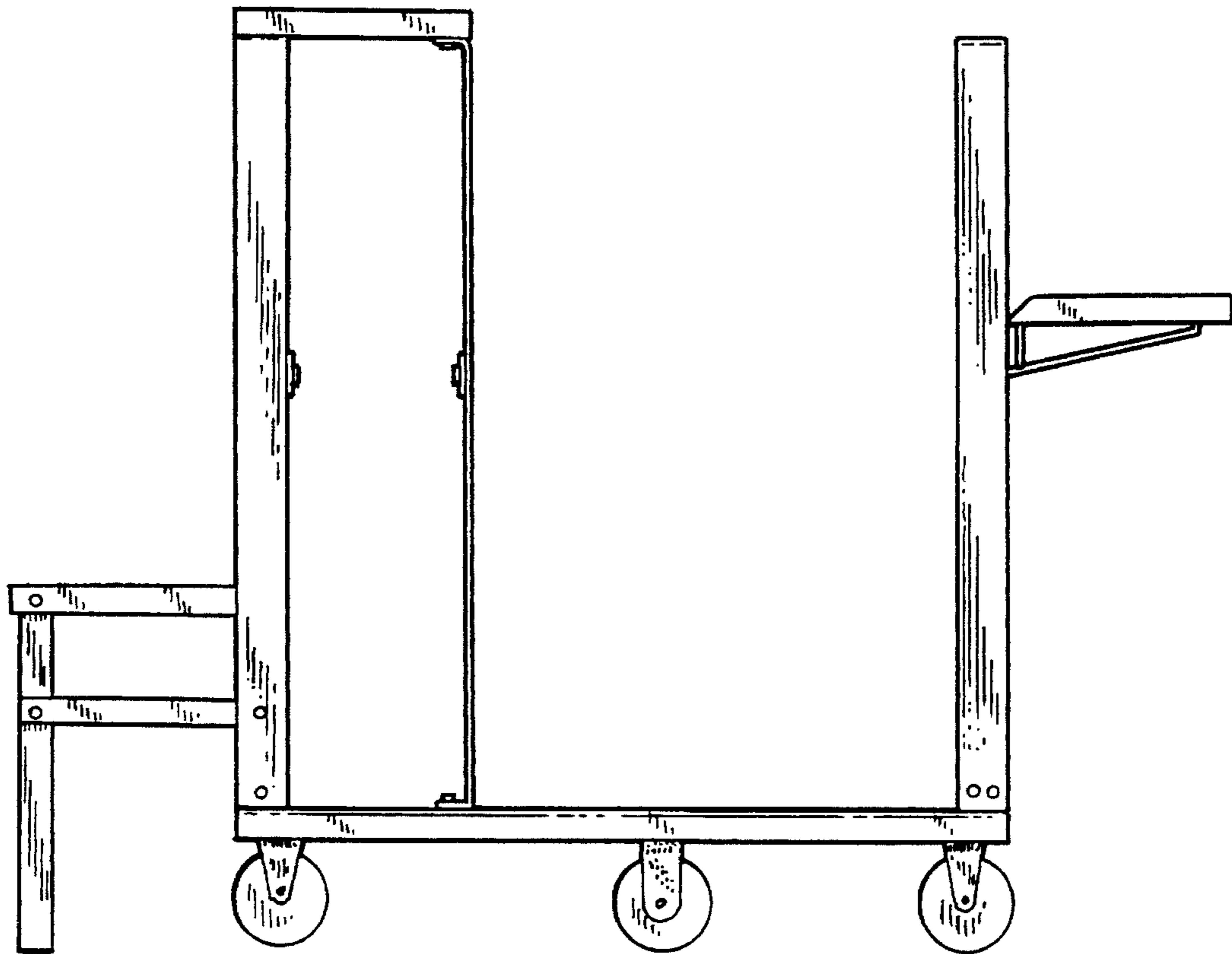


FIG - 3



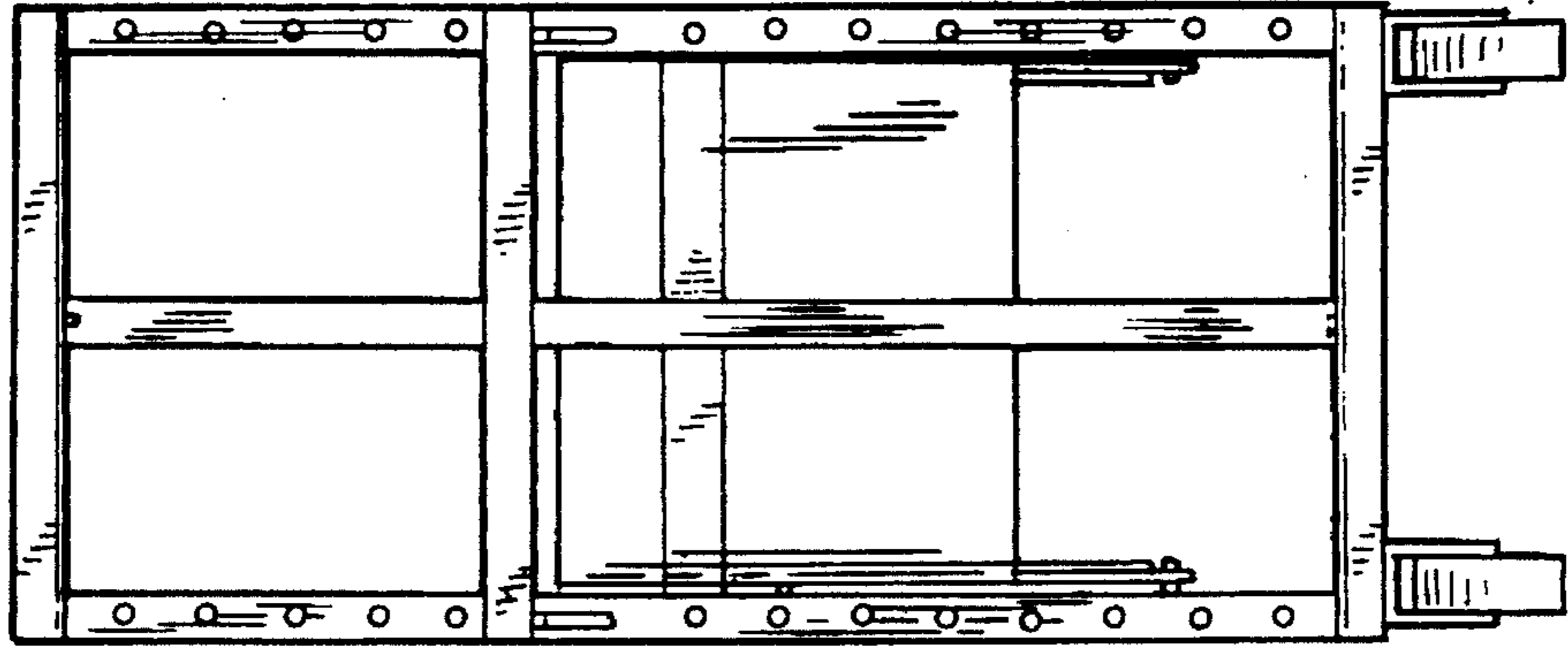


FIG-5

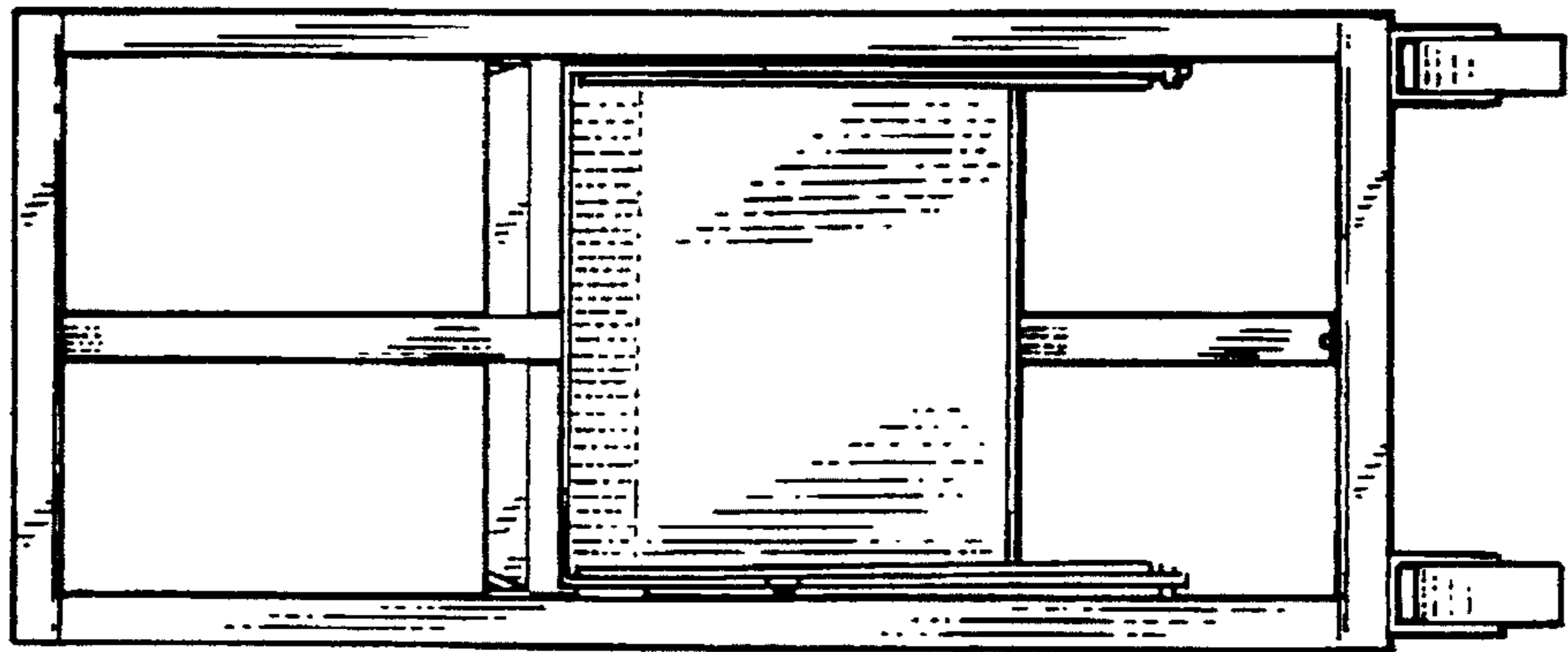


FIG-4

FIG - 6

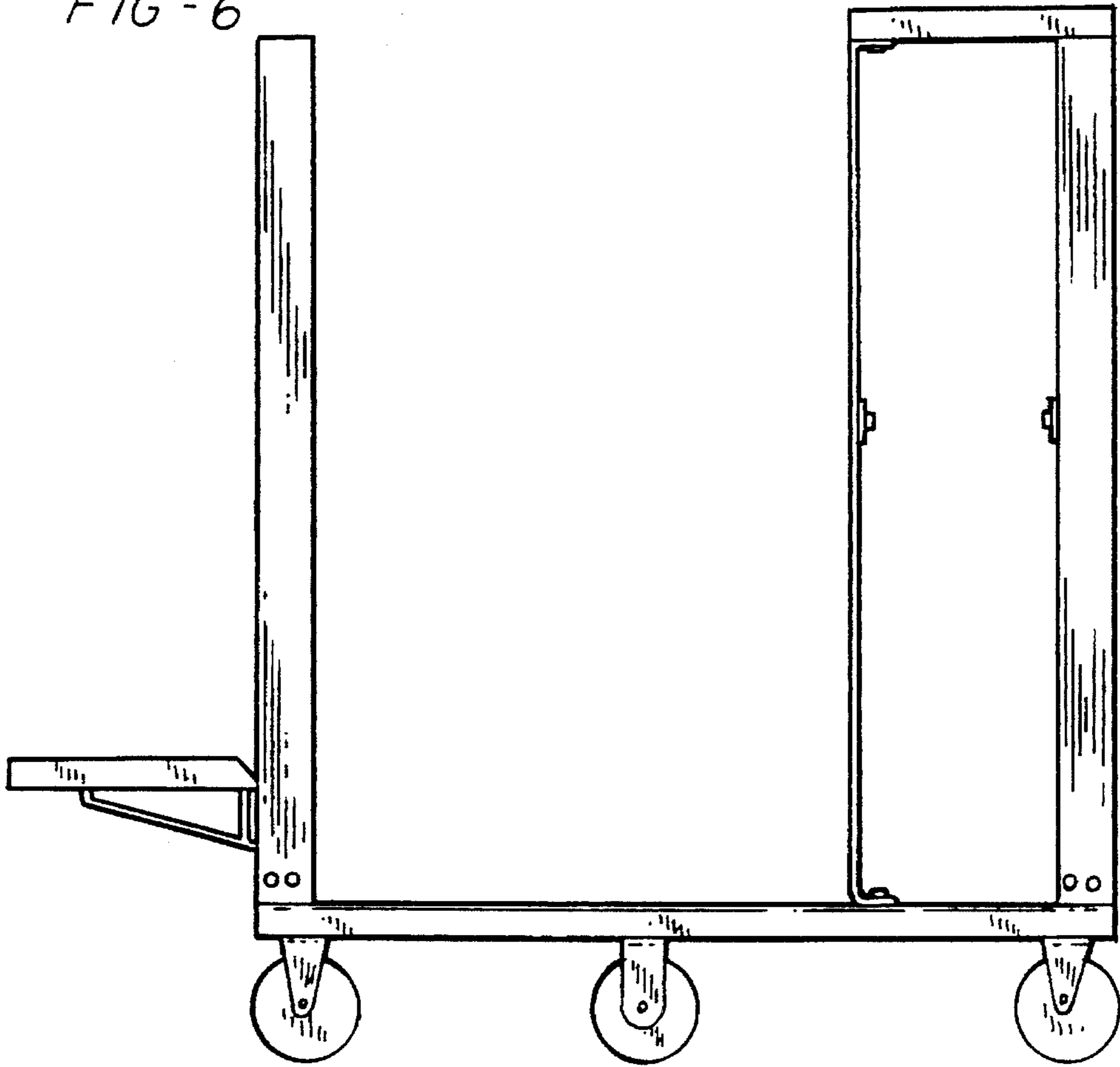


FIG - 7

