



US00D370322S

United States Patent [19]

[11] Patent Number: **Des. 370,322**

Canni Ferrari

[45] Date of Patent: ****May 28, 1996**

[54] **ELECTRIC BROOM**

3,117,338 1/1964 Stevens 15/400
3,122,769 3/1964 Doersam 15/246

[75] Inventor: **Cesare M. Canni Ferrari**, Cassina
De'Pecchi, Italy

FOREIGN PATENT DOCUMENTS

[73] Assignee: **Brain Wave S.R.L.**, Milan, Italy

267579 11/1964 Australia 15/400
499375 1/1939 Germany 15/400

[**] Term: **14 Years**

Primary Examiner—A. Hugo Word
Assistant Examiner—Cynthia E. Ramirez
Attorney, Agent, or Firm—Juettner Pyle Lloyd & Piontek

[21] Appl. No.: **42,077**

[57] CLAIM

[22] Filed: **Jul. 31, 1995**

[52] U.S. Cl. **D32/50; D32/31**

The ornamental design for an electric broom, as shown.

[58] Field of Search D32/21, 22, 24,
D32/25, 31, 32, 35, 50, 51, 52, 38, 39;
15/159.1, 160, 246, 246.1, 393, 398, 399,
400

DESCRIPTION

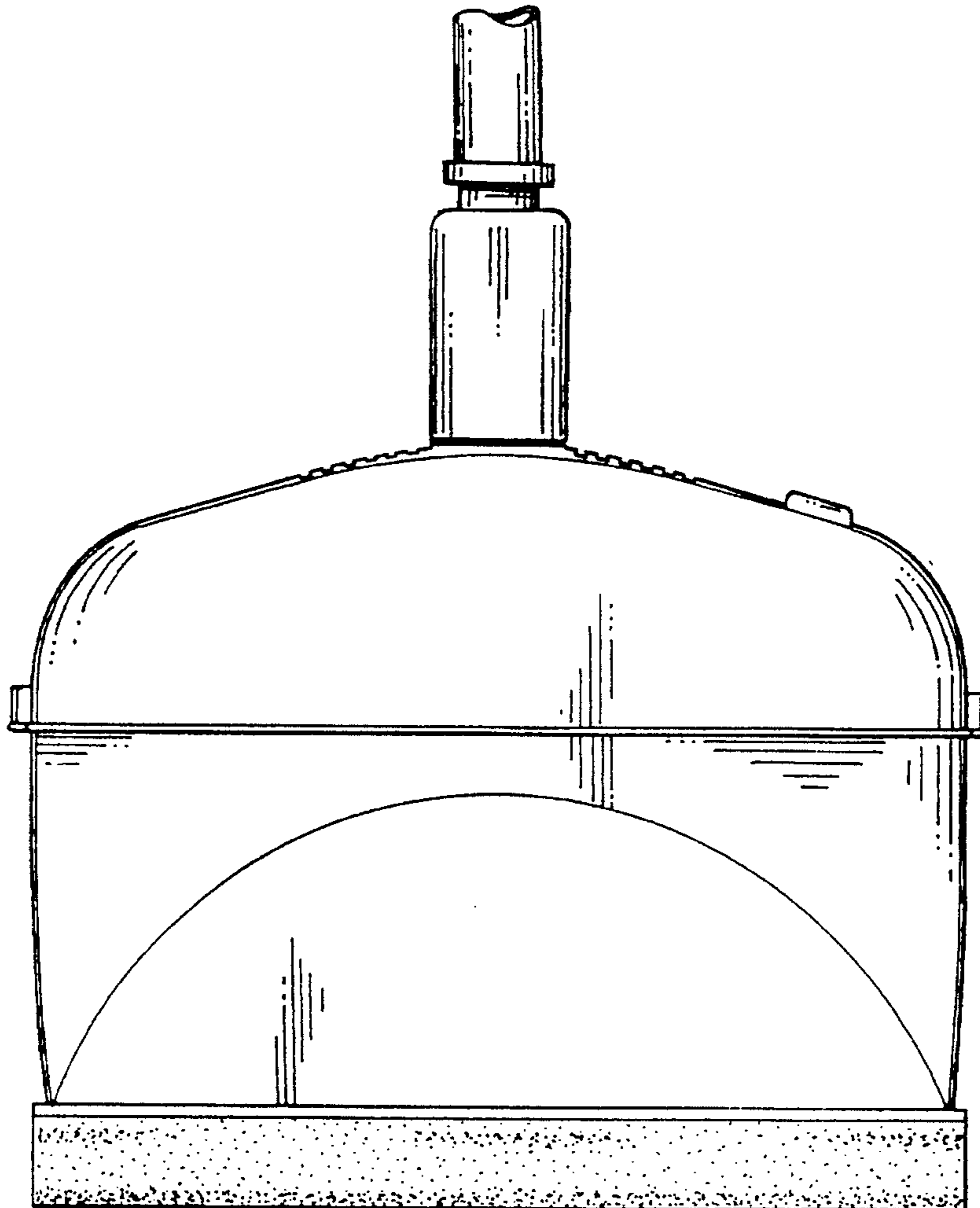
[56] References Cited

U.S. PATENT DOCUMENTS

793,548 6/1905 Simpson et al. 15/246 X
993,772 5/1911 Goughnour 15/400 X
1,296,121 3/1919 Rosenfield 15/400 X
3,068,503 12/1962 Jepson et al. 15/246 X

FIG. 1 is an elevation of the front side of the electric broom of the present invention;
FIG. 2 is an elevation of one side thereof;
FIG. 3 is an elevation of the other side thereof;
FIG. 4 is an elevation of the rear side thereof;
FIG. 5 is a bottom view thereof; and,
FIG. 6 is a top view thereof.

1 Claim, 3 Drawing Sheets



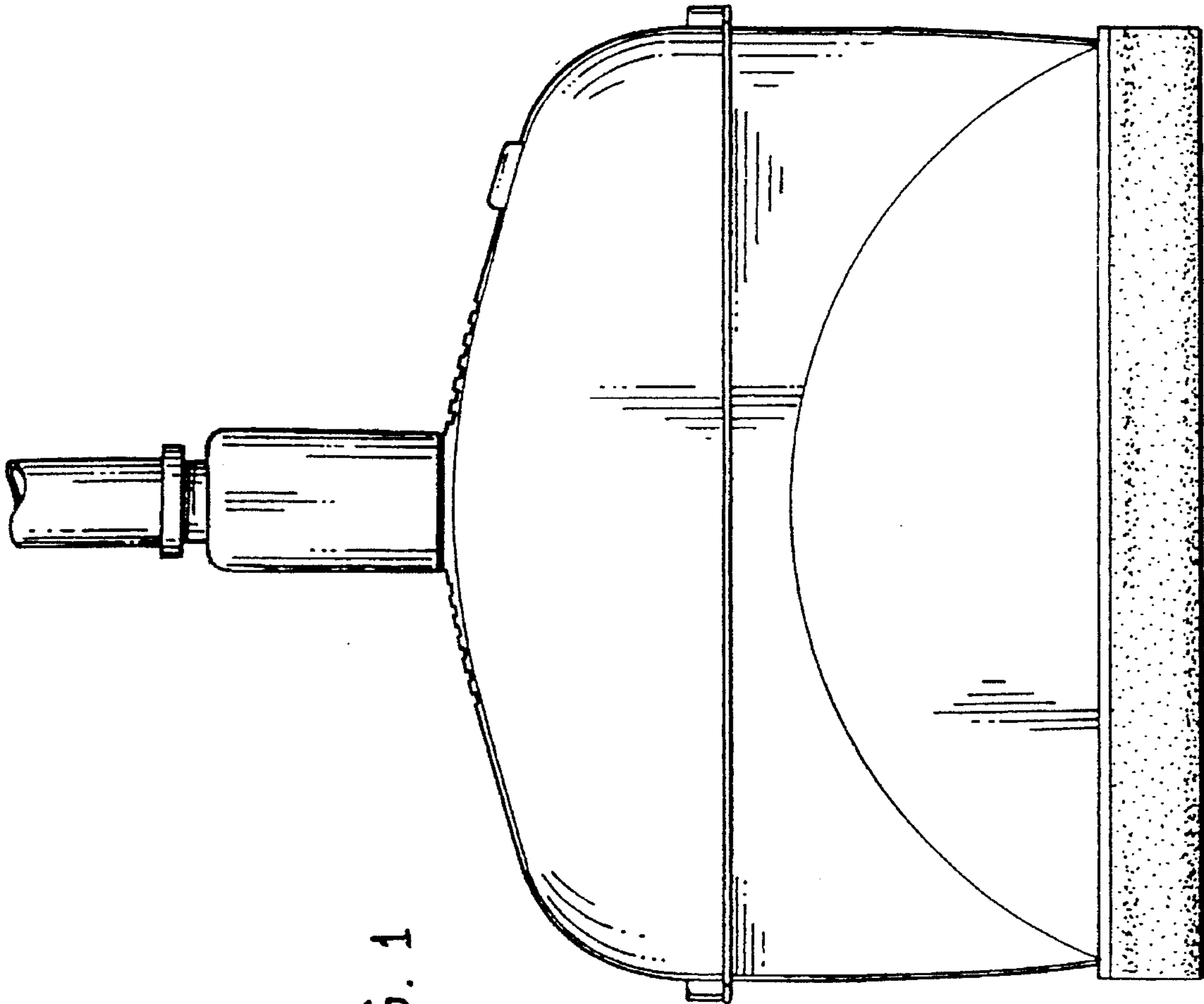


FIG. 1

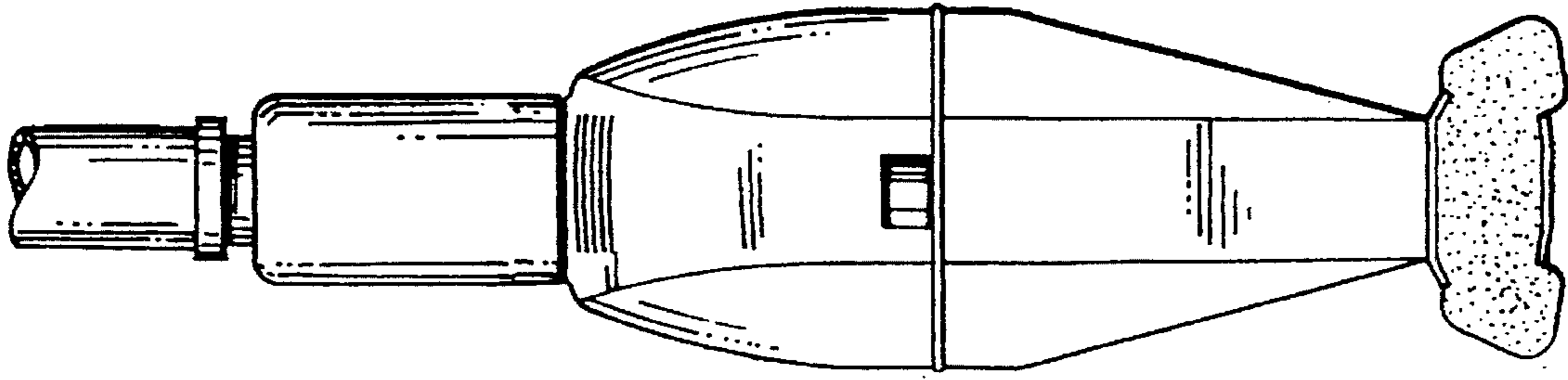


FIG. 2

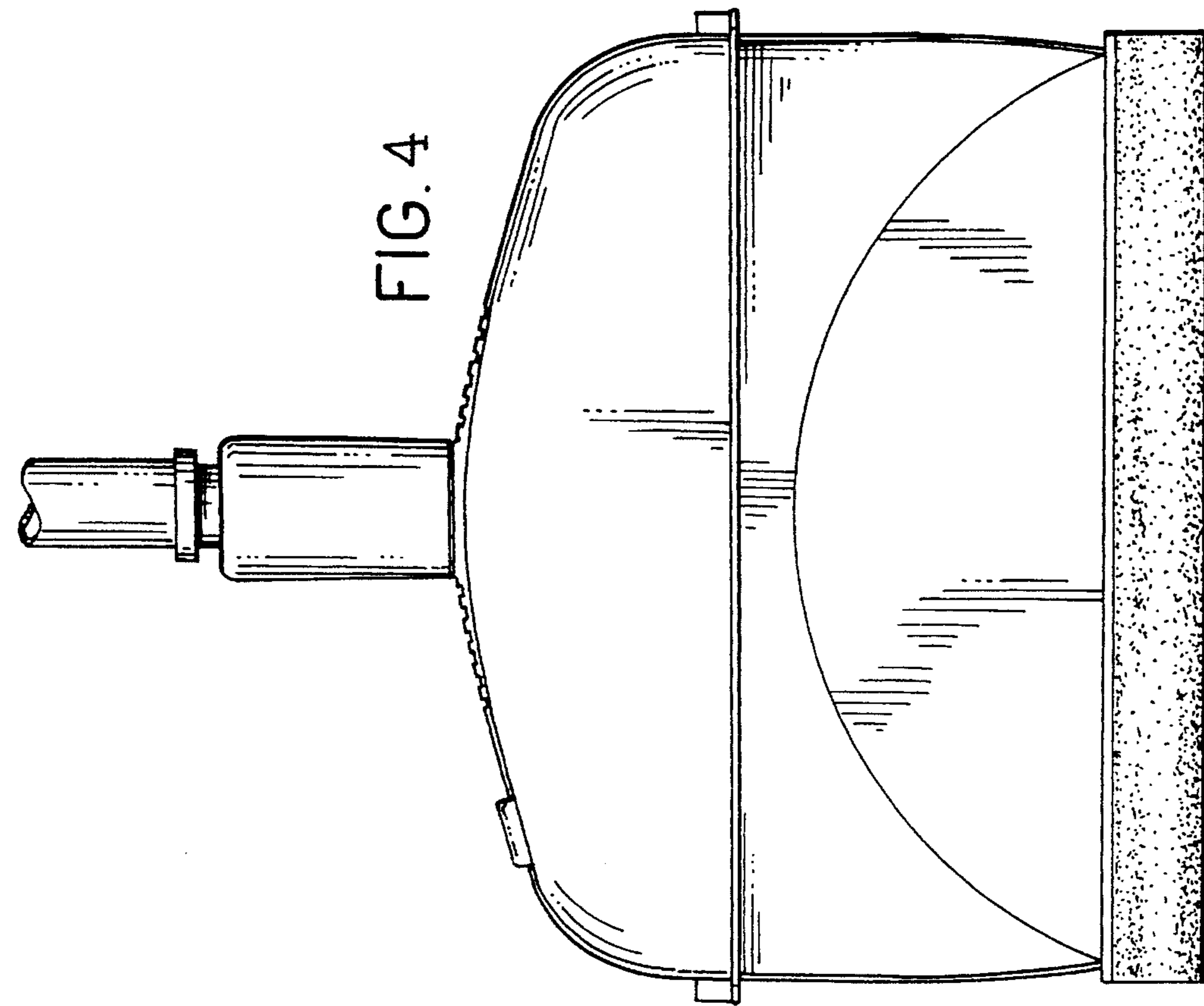


FIG. 4

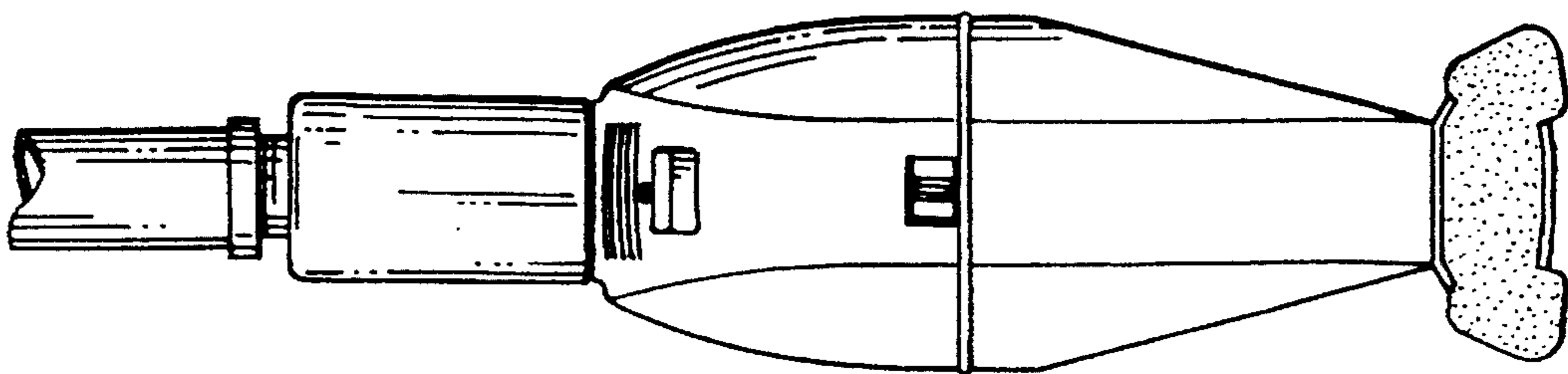


FIG. 3

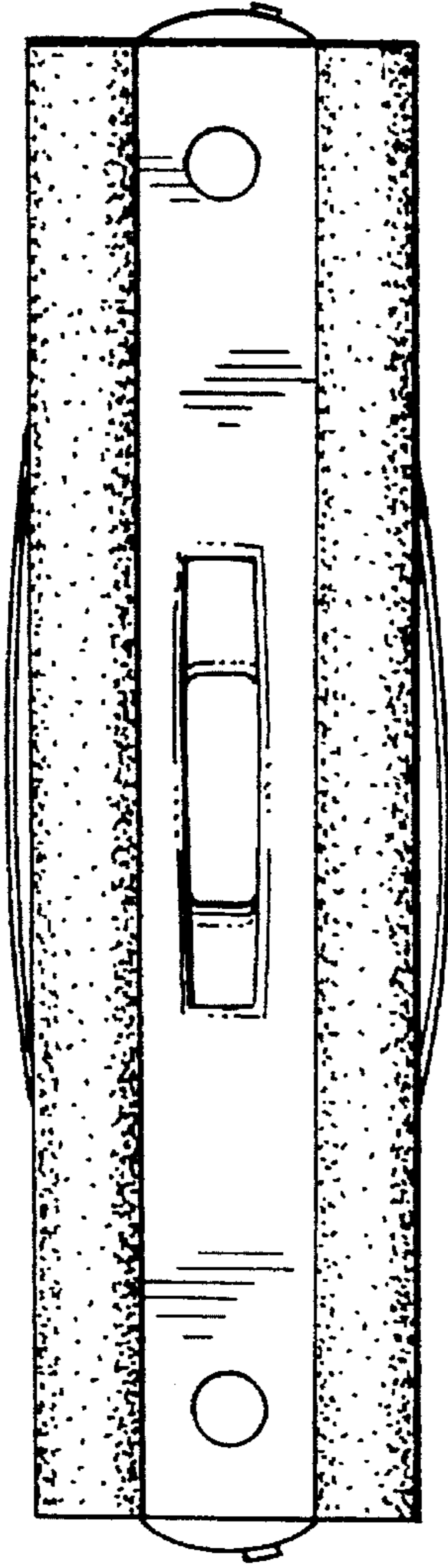


FIG. 5

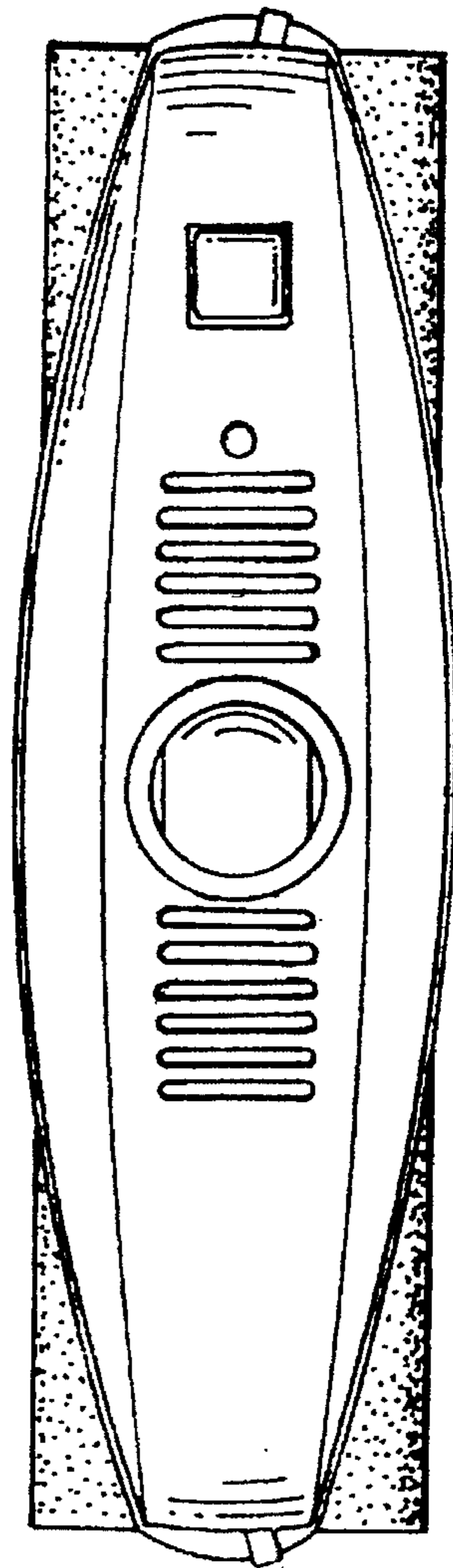


FIG. 6