



US00D370320S

United States Patent [19]

Hachtmann

[11] Patent Number: **Des. 370,320**

[45] Date of Patent: ****May 28, 1996**

[54] **CLEANING MACHINE**

[75] Inventor: **Bill R. Hachtmann**, Oakhurst, Calif.

[73] Assignee: **Harris Research, Inc.**, Logan, Utah

[**] Term: **14 Years**

[21] Appl. No.: **30,774**

[22] Filed: **Nov. 7, 1994**

[52] U.S. Cl. **D32/21; D32/16**

[58] **Field of Search** D32/15-18, 21-24;
15/319-321, 323, 327.1-327.4, 327.6, 327.7,
334, 340.1-340.4, 352-353

[56] **References Cited**

U.S. PATENT DOCUMENTS

- D. 316,765 5/1991 Wulff D32/16
- D. 318,543 6/1991 Shero D32/23
- D. 337,185 7/1993 Wulff D32/21

- D. 343,706 1/1994 Gurstein D32/21
- 5,465,456 11/1995 Fellhauer 15/320

Primary Examiner—Nelson C. Holtje
Assistant Examiner—Stacia Sinuik
Attorney, Agent, or Firm—Thorpe North & Western

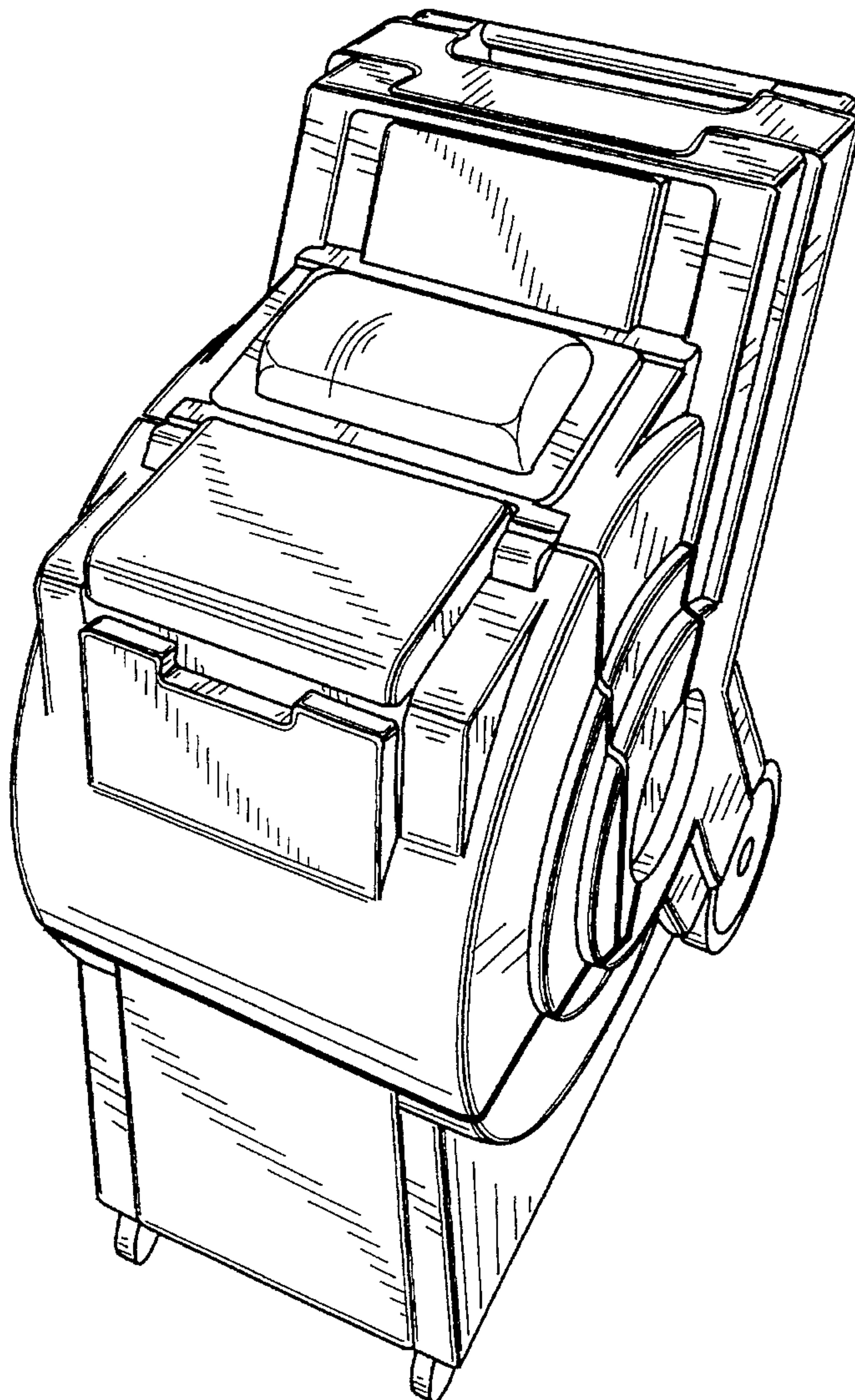
[57] **CLAIM**

The ornamental design for a cleaning machine, as shown and described.

DESCRIPTION

FIG. 1 is a perspective view showing my new design; FIGS. 2 and 3 are long side, elevational views of opposite sides; FIGS. 4 and 5 are short side, elevational views of opposite sides; FIG. 6 is a top plan view; and, FIG. 7 is a bottom view.

1 Claim, 3 Drawing Sheets



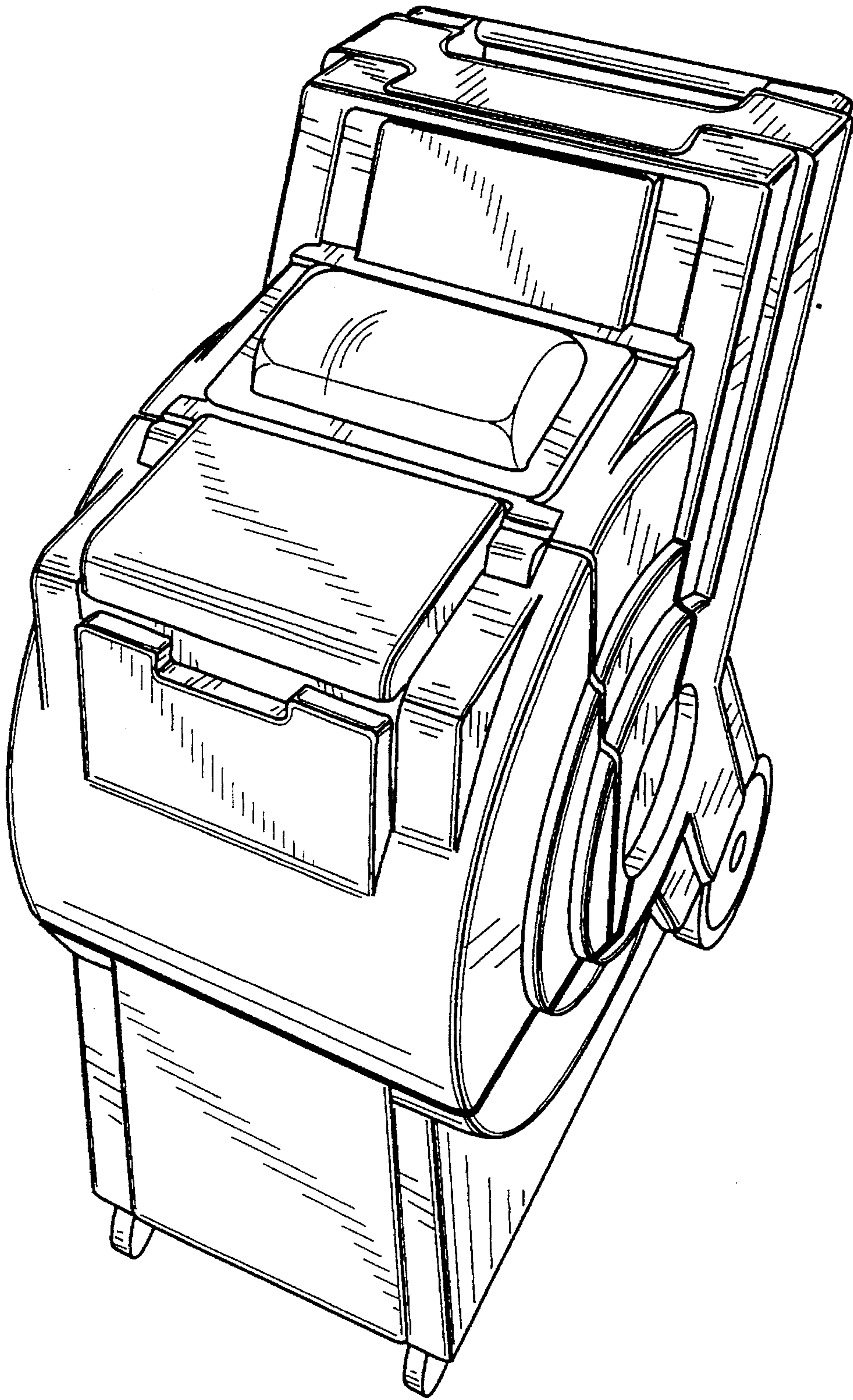


Fig. 1

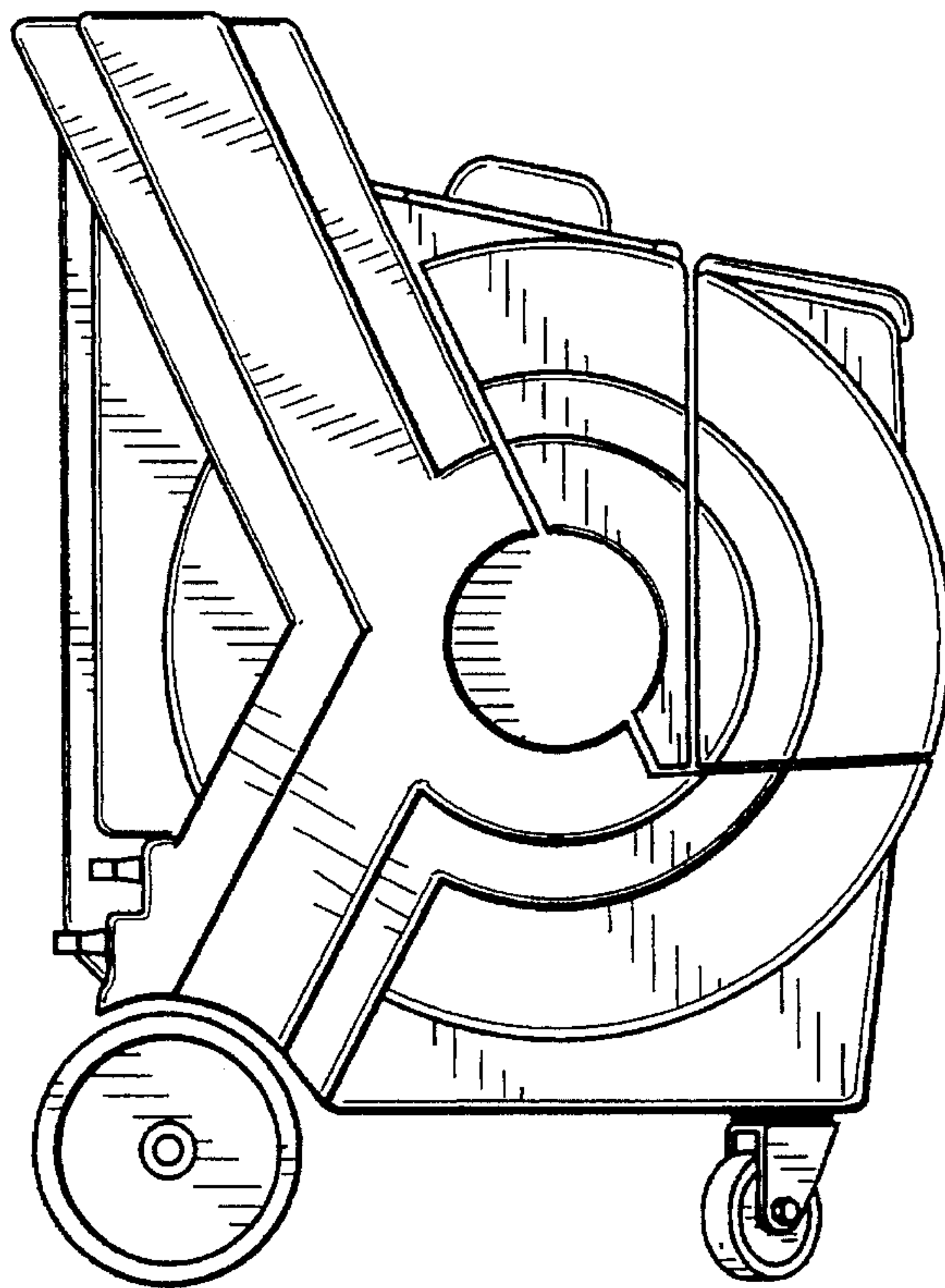


Fig. 2

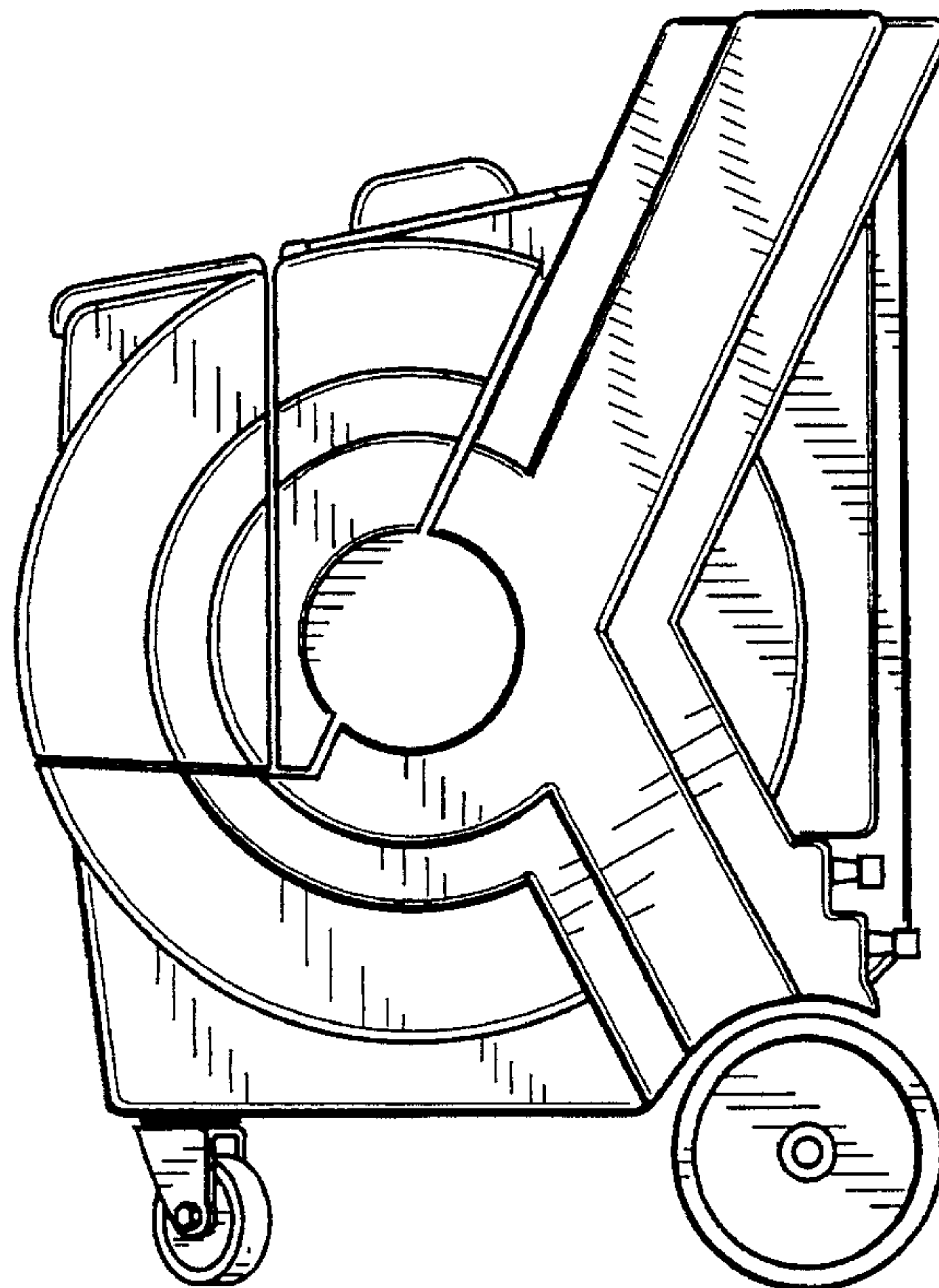


Fig. 3

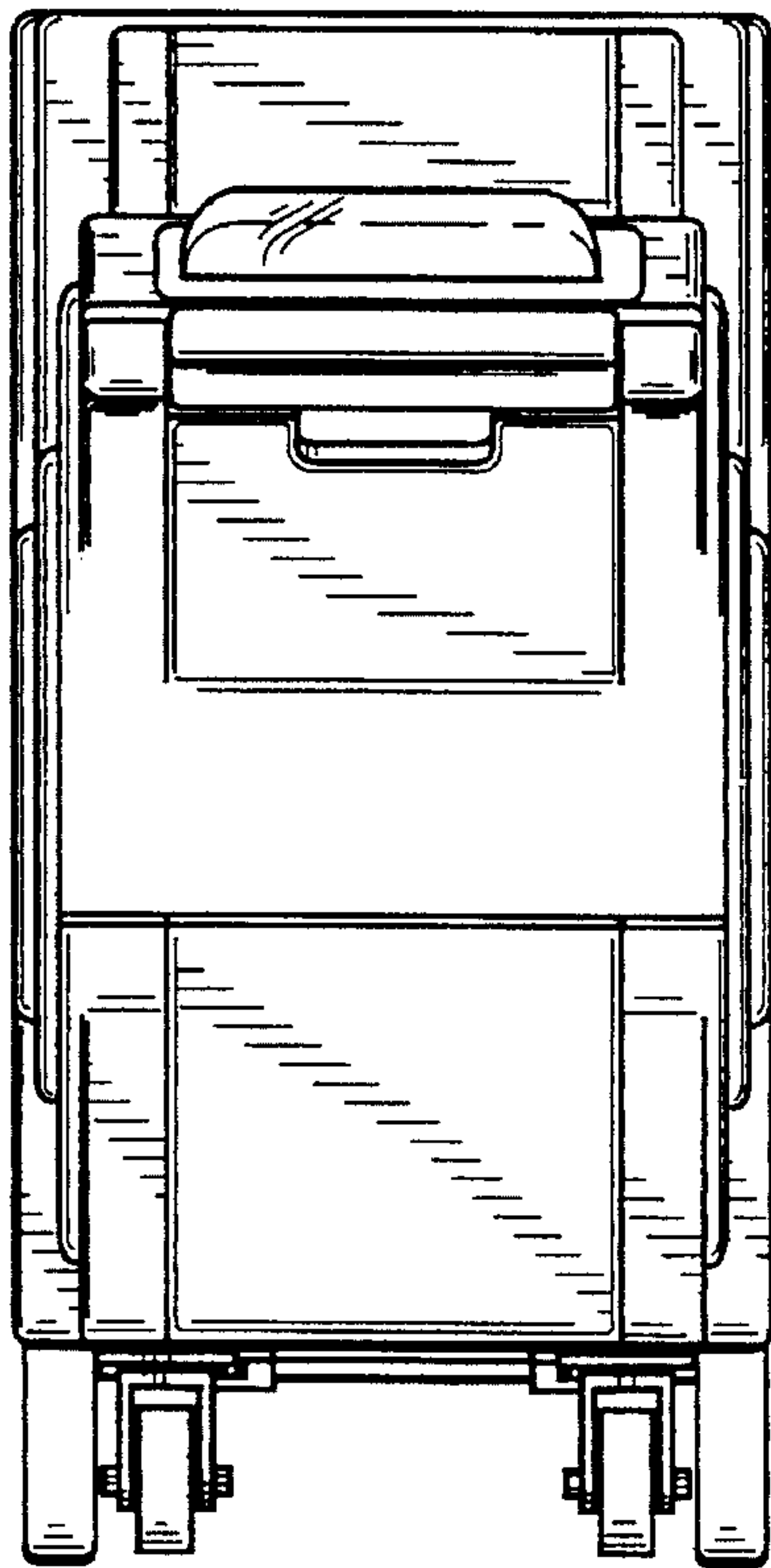


Fig. 4

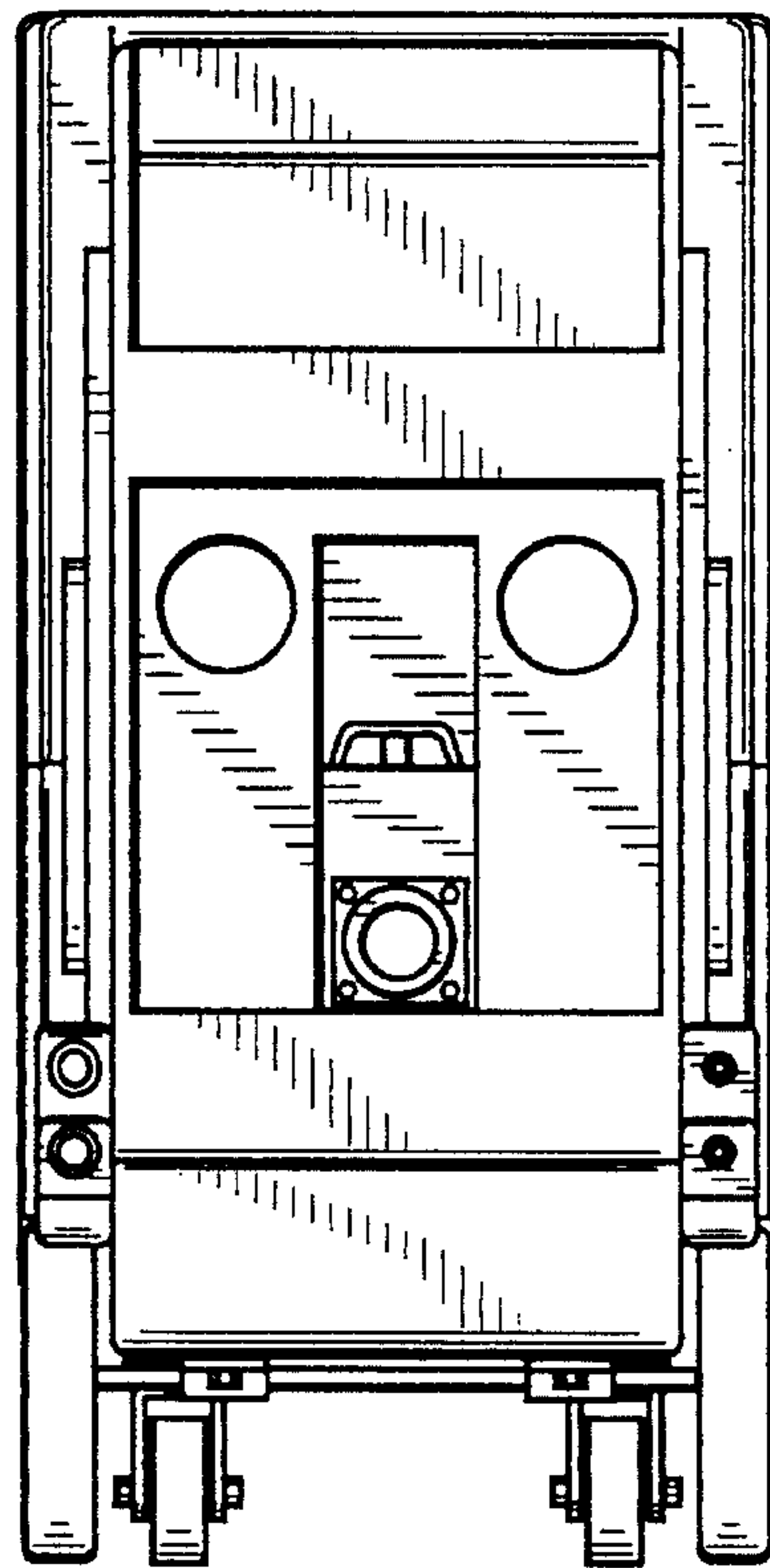


Fig. 5

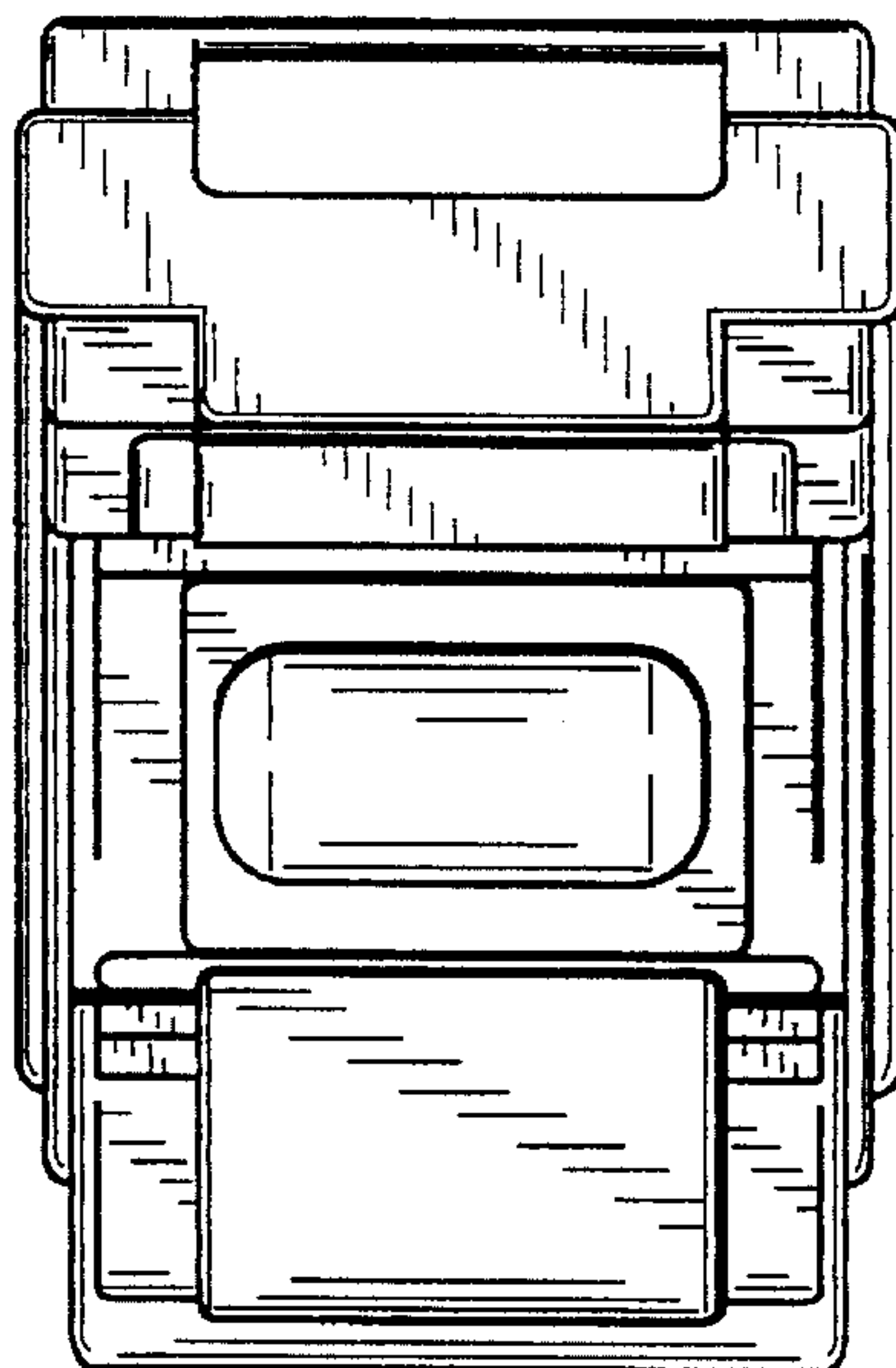


Fig. 6

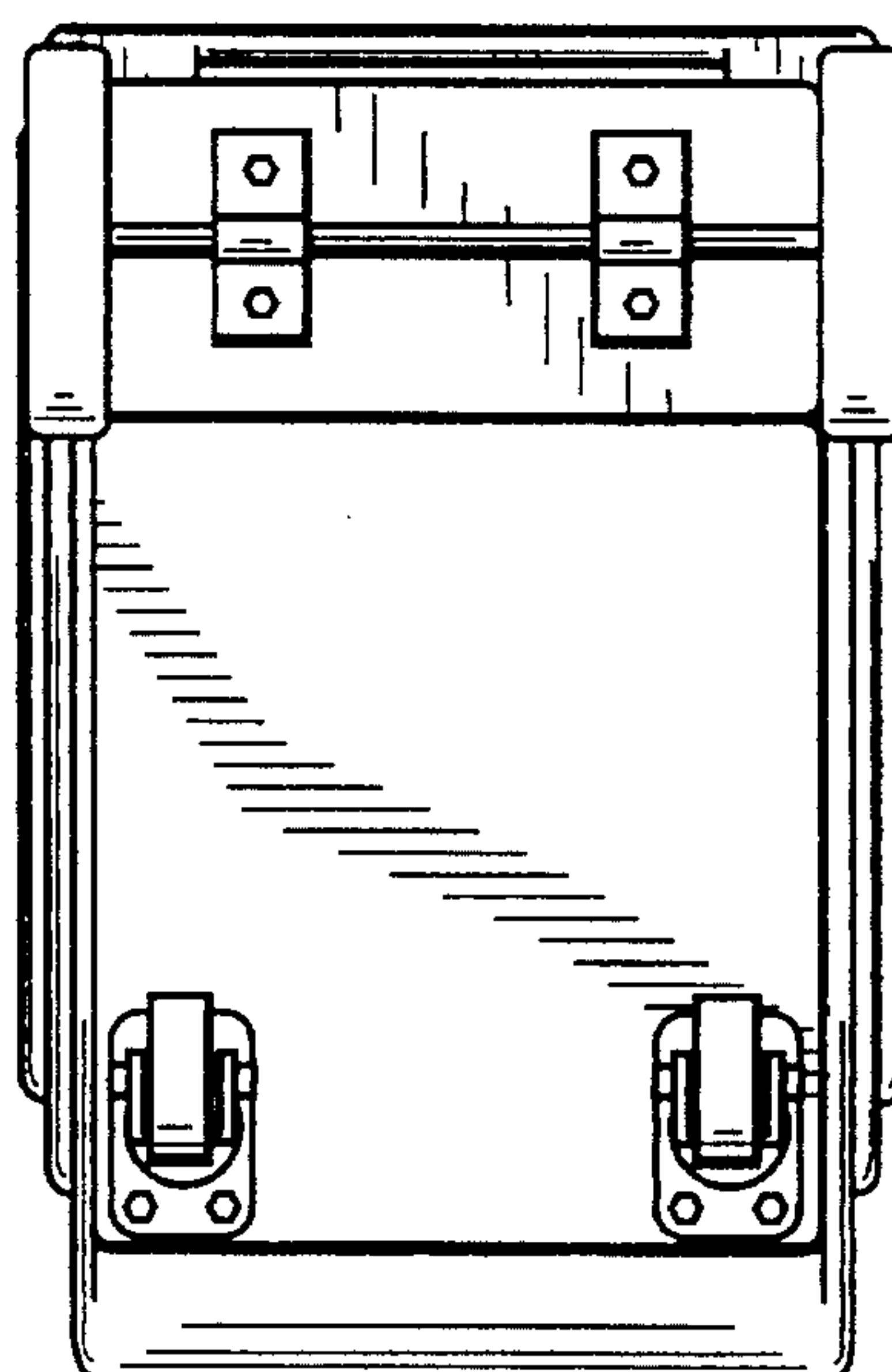


Fig. 7