



US00D370316S

United States Patent [19]

[11] Patent Number: Des. 370,316

Merino

[45] Date of Patent: **May 28, 1996

[54] LITTER BOX

[76] Inventor: **Alfonso W. Merino**, 5800 Gondolier Dr., New Bern, N.C. 28560

[**] Term: **14 Years**

[21] Appl. No.: **34,486**

[22] Filed: **Feb. 6, 1995**

[52] U.S. Cl. **D30/161**; 119/164

[58] Field of Search D30/108, 109, D30/161; D19/76; 119/19, 15, 165, 166, 168

4,934,317 6/1990 Pourshalchi 119/165

5,042,430 8/1991 Casmira 119/165

5,134,973 8/1992 Sarullo 119/165

5,195,464 3/1993 Mutter 119/165

5,211,133 5/1993 Foley 119/166

5,218,930 6/1993 Casmira 119/165

5,220,885 6/1993 Goetz 119/165

5,220,888 6/1993 Hyde 119/165

FOREIGN PATENT DOCUMENTS

94007359 4/1994 Italy 119/15

Primary Examiner—Louis S. Zarfes
Assistant Examiner—Greg Andoll
Attorney, Agent, or Firm—Hovey, Williams, Timmons & Collins

[56] References Cited

U.S. PATENT DOCUMENTS

D. 175,997 11/1955 Arellano D19/76

D. 206,697 1/1967 Erikson et al. D19/76

D. 209,838 1/1968 Artig D30/108

D. 239,700 4/1976 Maruca et al. D19/76

D. 286,694 11/1986 O'Rourke D30/161

D. 288,733 3/1987 Welker D30/108

D. 300,965 5/1989 Conner D30/161

D. 300,966 5/1989 Conner D30/161

D. 300,967 5/1989 Conner D30/161

D. 300,968 5/1989 Conner D30/161

D. 304,735 11/1989 Leszczak D19/76

D. 319,117 8/1991 Goetz D30/161

4,029,048 6/1977 Gershbein 119/165

4,111,157 9/1978 Haugen 119/165

4,161,157 7/1979 Haugen 119/165

4,534,315 8/1985 Seeney 119/165

4,766,845 8/1988 Bavas 119/165

4,802,443 2/1989 Denmark 119/19

[57] CLAIM

The ornamental design for litter box, as shown.

DESCRIPTION

FIG. 1 is a perspective view of the litter box, illustrating a cover of the apparatus in a closed-use position;

FIG. 2 is a right side elevation view of the litter box, illustrating the cover in a closed-use position;

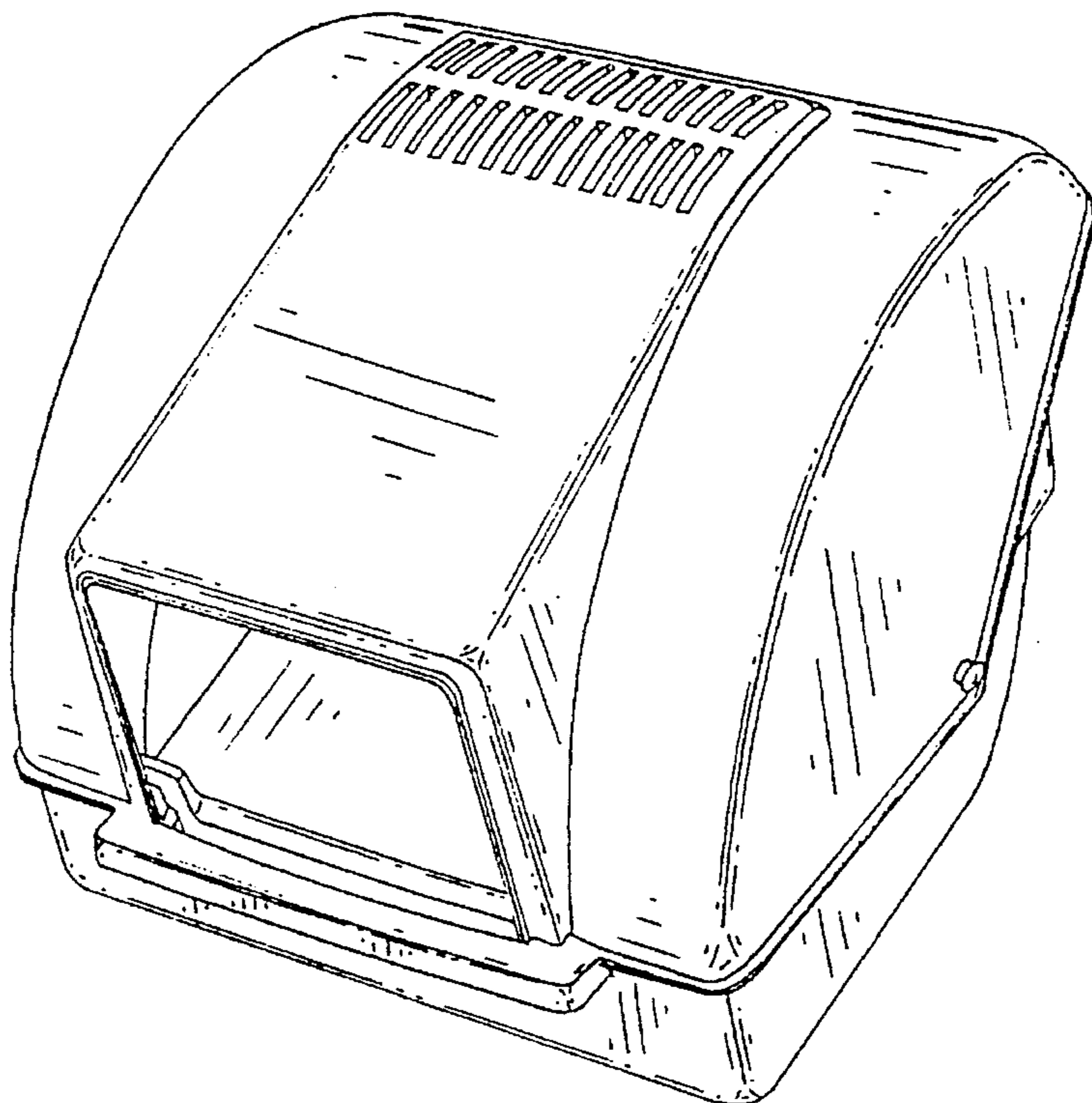
FIG. 3 is a front elevation view of the litter box, illustrating the cover in a closed-use position;

FIG. 4 is a side elevational rear view of the litter box, illustrating the cover in the closed-use position;

FIG. 5 is a top view of the litter box, illustrating the cover in the closed-use position; and,

FIG. 6 is a bottom view of the litter box, showing the cover in the closed-use position.

1 Claim, 2 Drawing Sheets



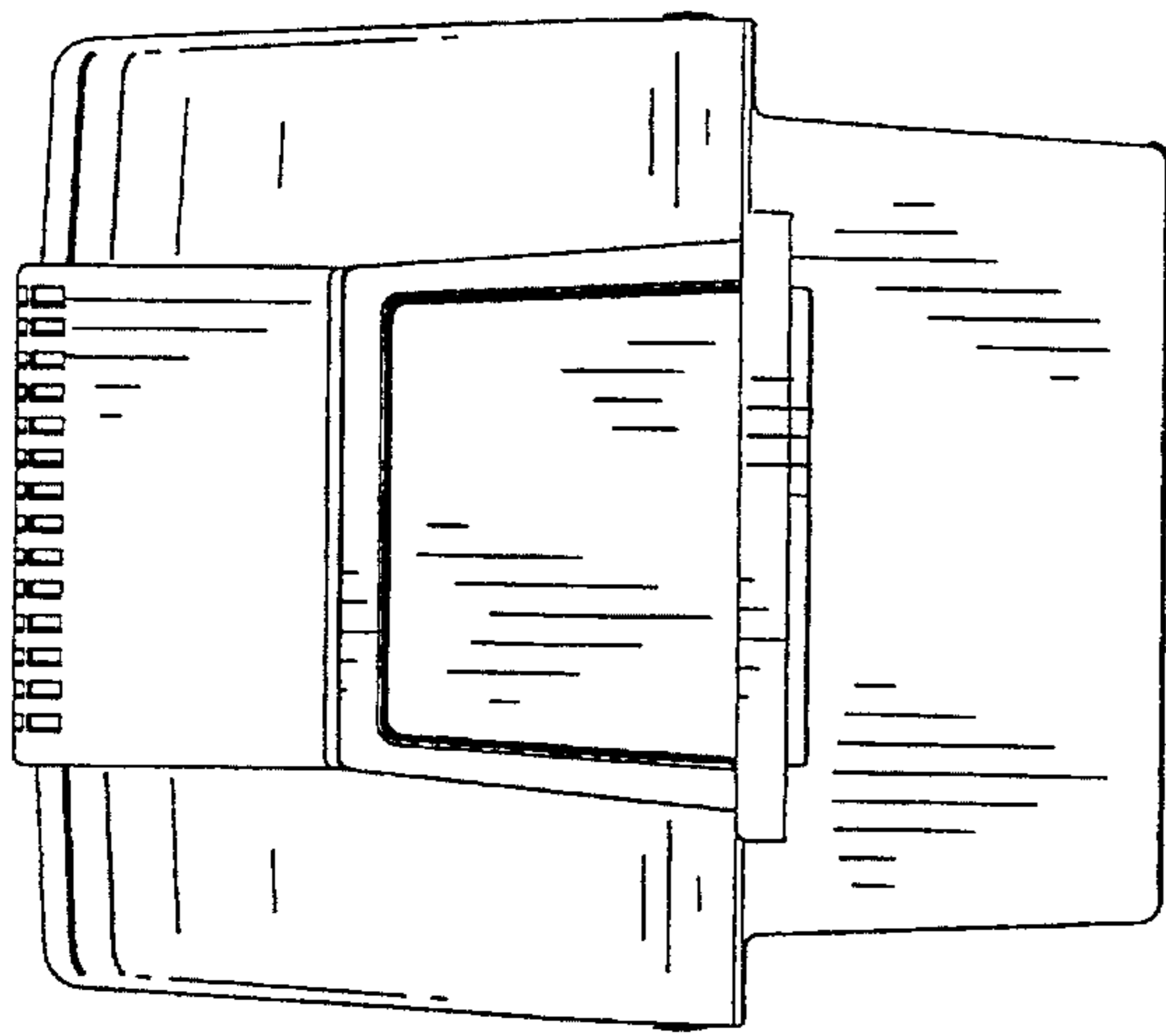


Fig. 3.

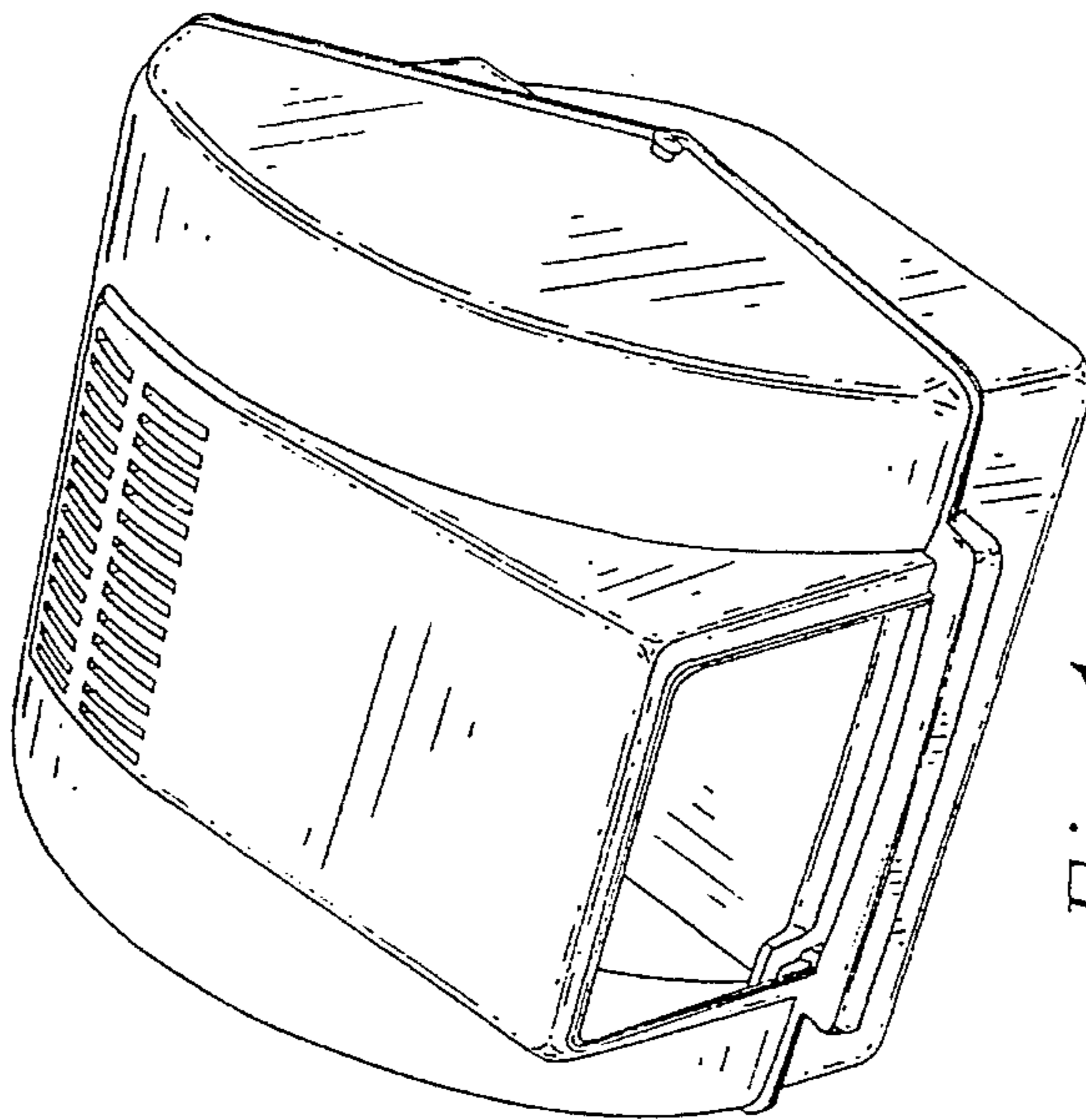


Fig. 1.

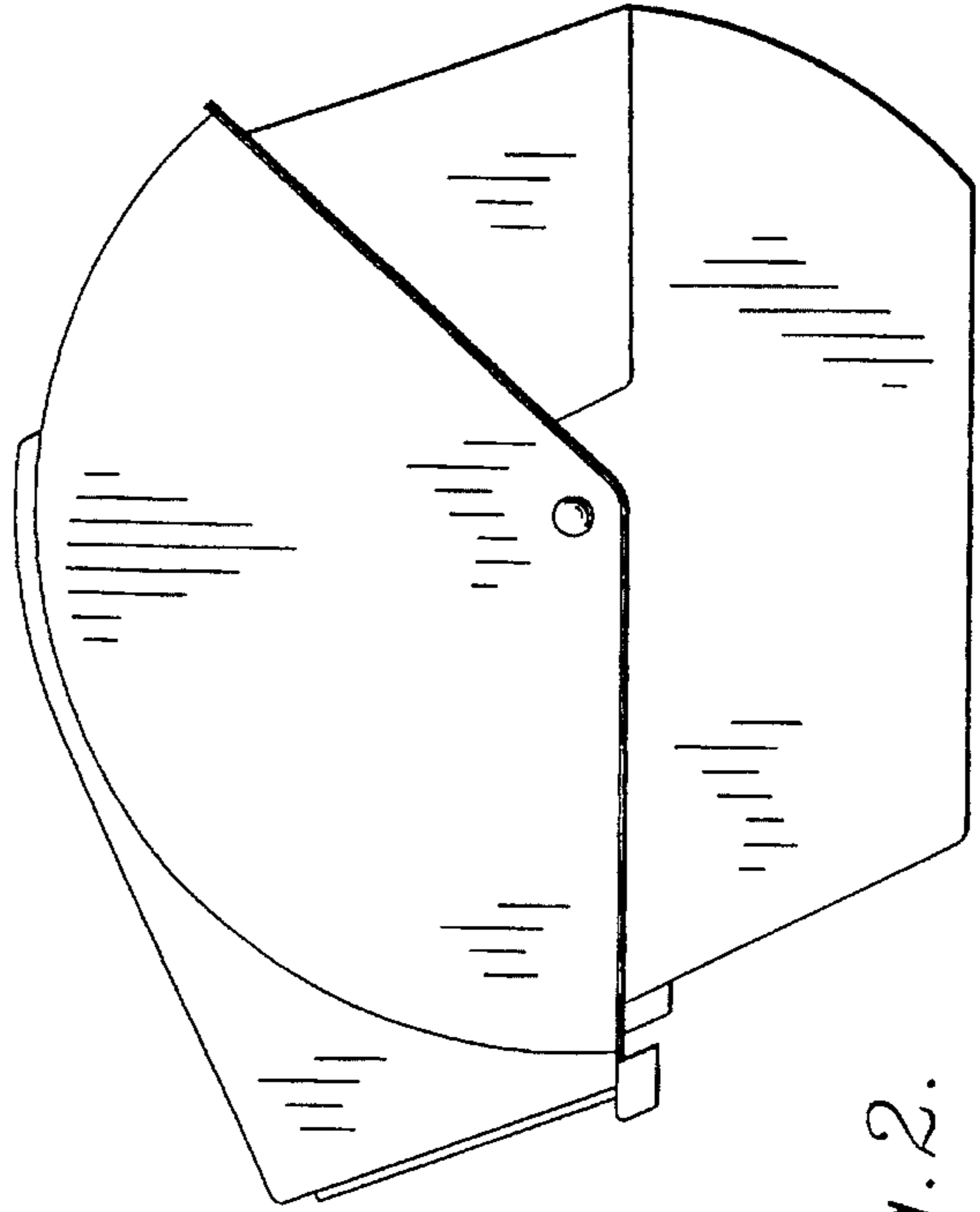


Fig. 2.

Fig. 5.

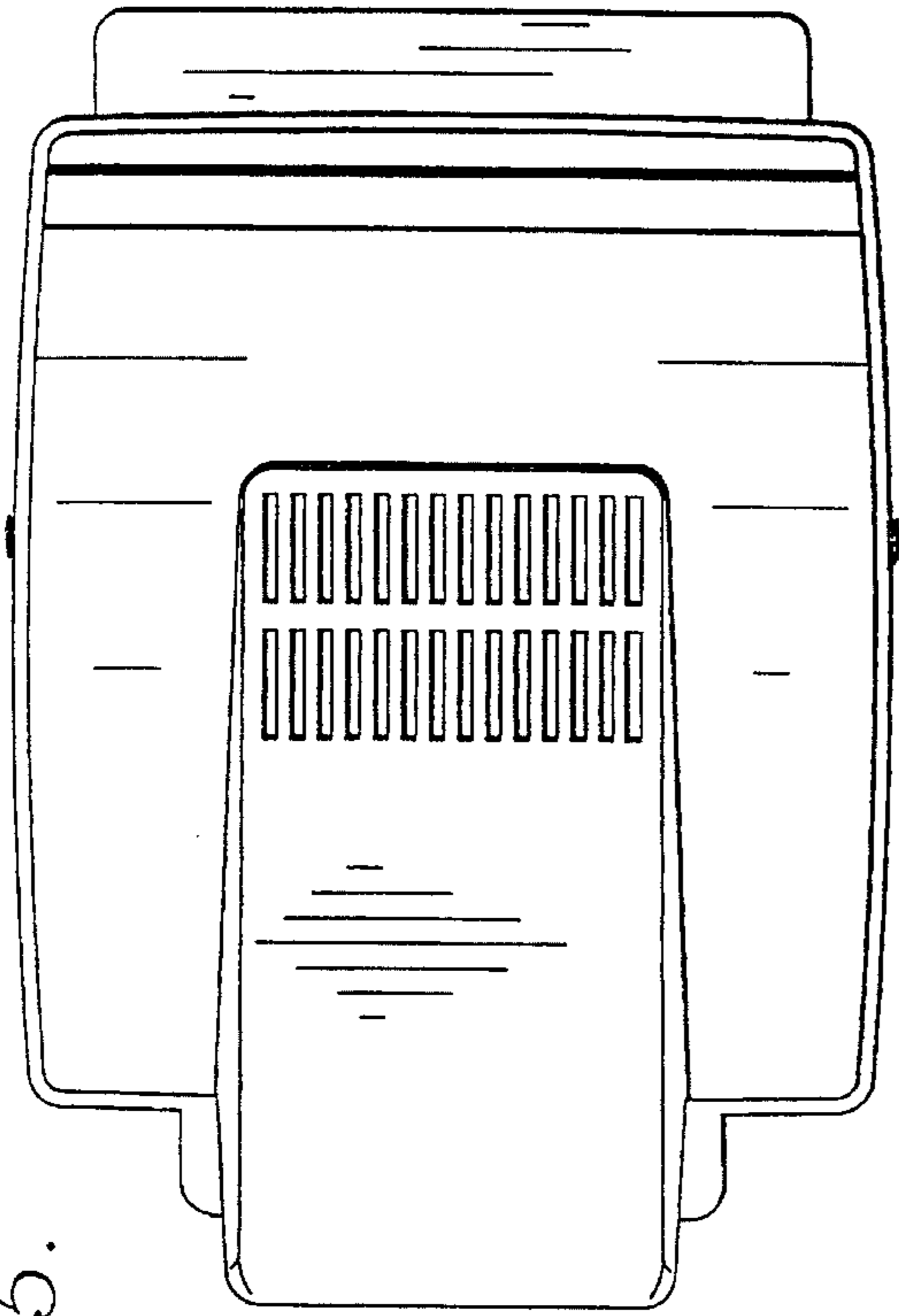


Fig. 4.

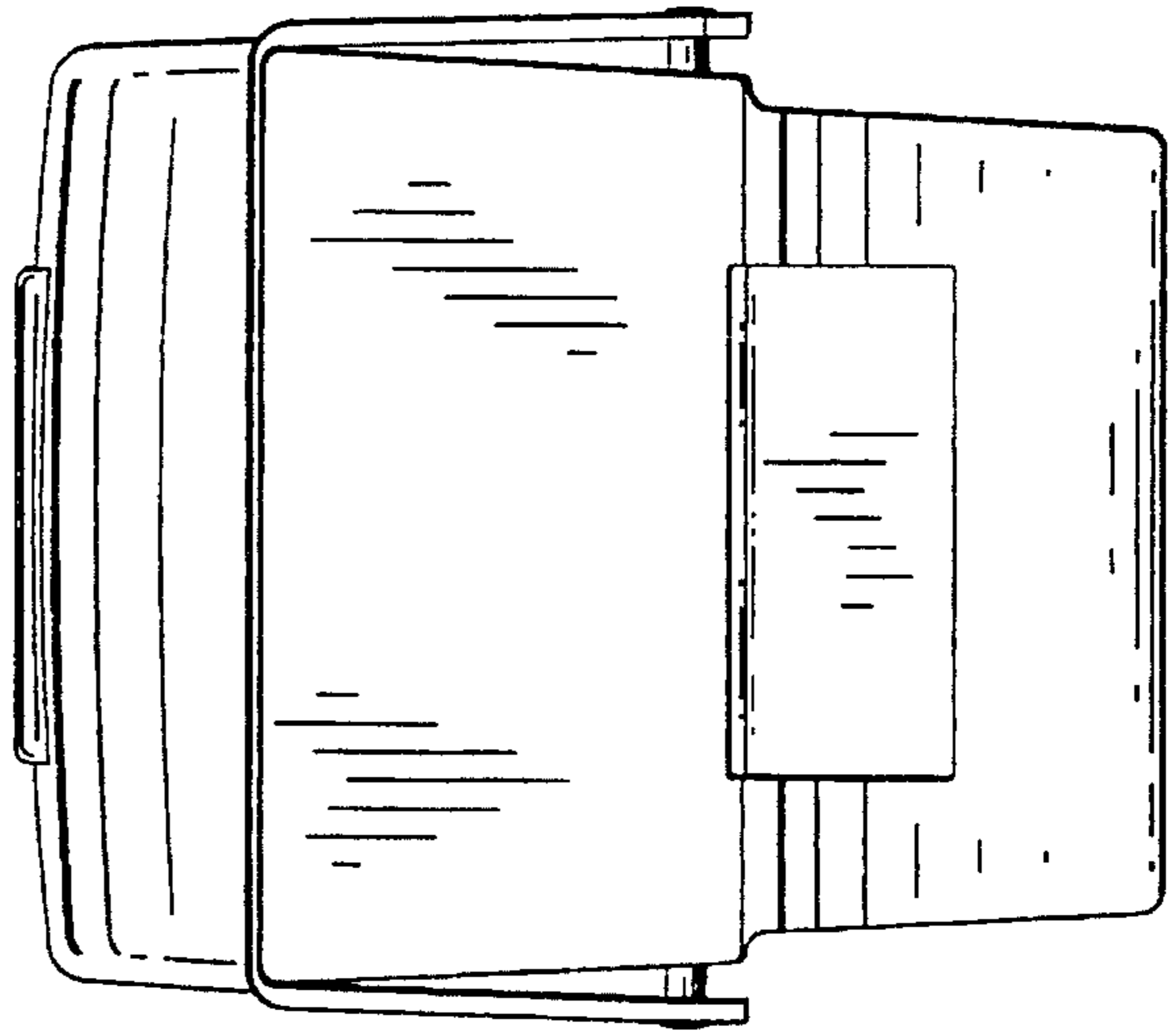


Fig. 6.

