



US00D370312S

United States Patent [19]

[11] Patent Number: **Des. 370,312**

Prehart

[45] Date of Patent: ****May 28, 1996**

[54] HEART BIRD HOUSE

[57] CLAIM

[76] Inventor: **Kenneth Prehart**, P.O. Box 834,
Tannersville, Pa. 18372

The ornamental design for a heart bird house, as shown and described.

[**] Term: **14 Years**

DESCRIPTION

[21] Appl. No.: **37,234**

FIG. 1 is an enlarged front perspective view showing a first form of my new design;

[22] Filed: **Apr. 7, 1995**

FIG. 2 is a front elevation view thereof;

[52] U.S. Cl. **D30/111**

FIG. 3 is a right side elevation view thereof;

[58] Field of Search D30/108-117,
D30/124-128; 119/23, 52.2-52.3, 57.7-57.8;
D9/315, 335; D99/39, 37; D25/7, 8; D21/169;
D6/303, 450

FIG. 4 is a left side elevation view thereof;

FIG. 5 is a rear elevation view thereof;

FIG. 6 is a top plan view thereof;

FIG. 7 is a bottom plan view thereof;

FIG. 8 is an enlarged front perspective view showing another form of my new design;

[56] References Cited

U.S. PATENT DOCUMENTS

D. 83,665	3/1931	Canio	D9/307
D. 252,775	8/1979	Stoffel	D99/37
D. 360,304	2/1995	Fachinger	D6/303
2,195,575	4/1940	Mallgraf	119/52.2
5,261,351	11/1993	Sydnor et al.	119/23
5,305,709	4/1994	Hong	119/57.8

FIG. 9 is a front elevation view thereof;

FIG. 10 is a right side elevation view thereof;

FIG. 11 is a left side elevation view thereof;

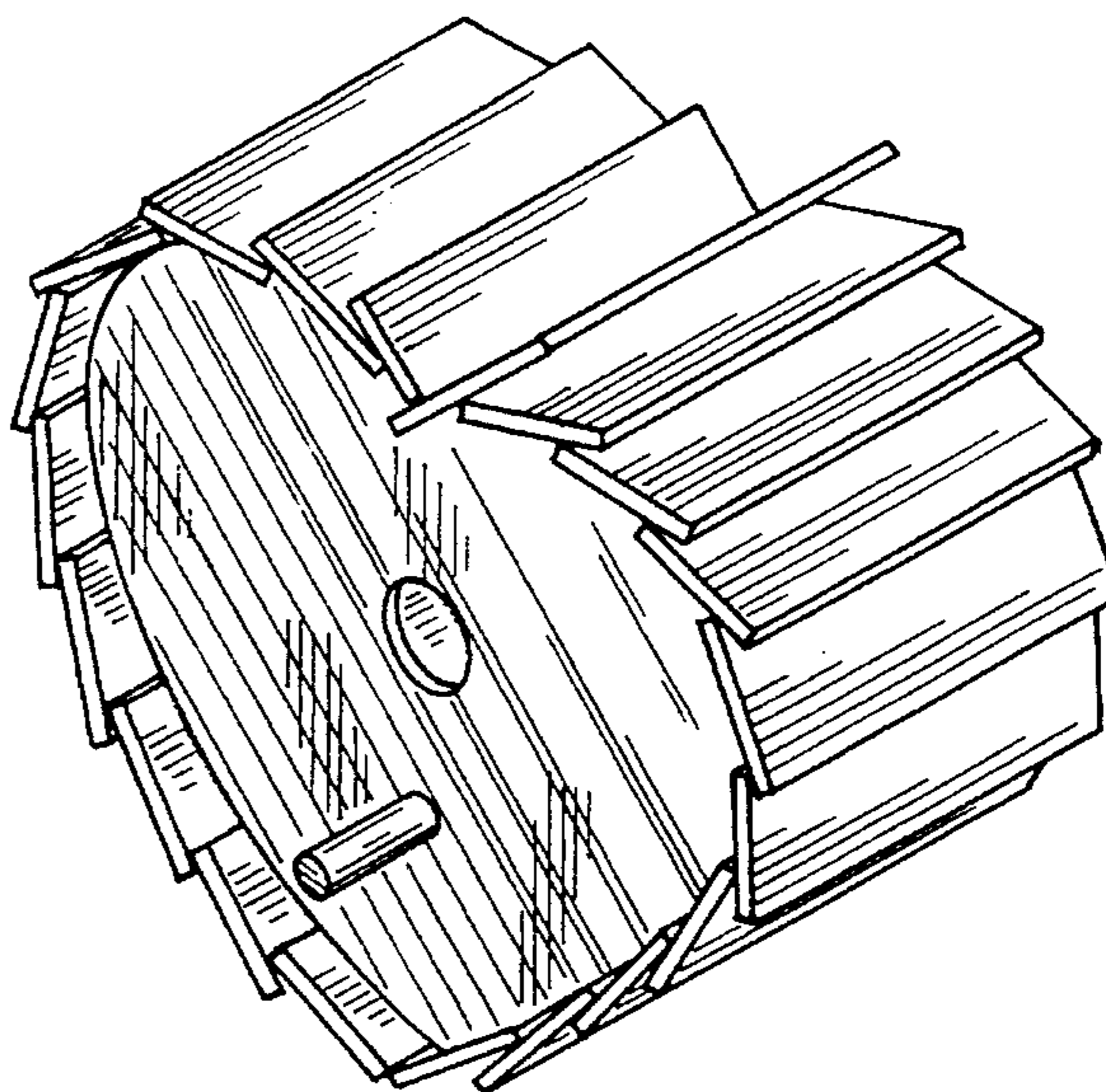
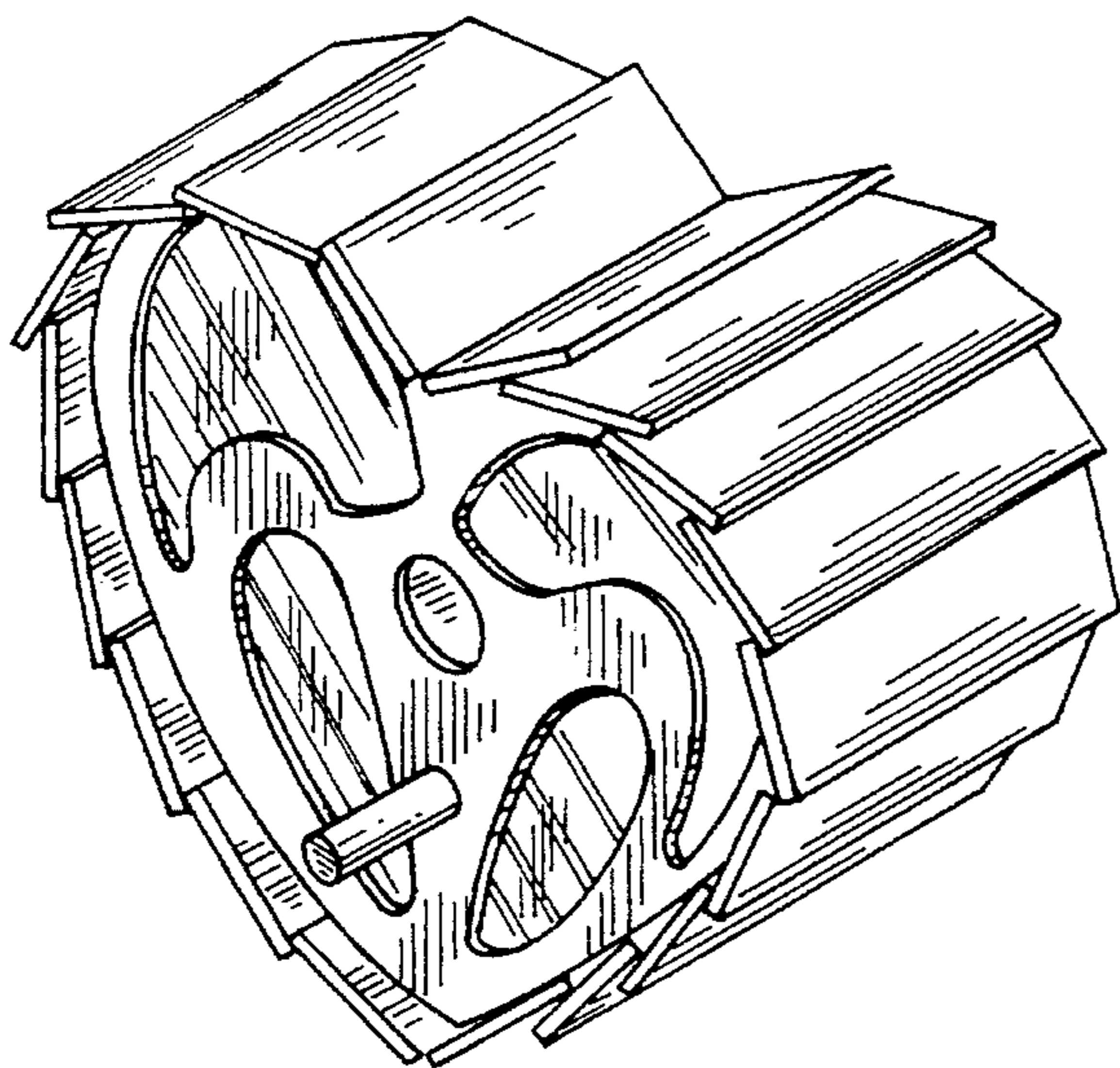
FIG. 12 is a rear elevation view thereof;

FIG. 13 is a top plan view thereof; and,

FIG. 14 is a bottom plan view thereof.

Primary Examiner—Cathy Anne MacCormac
Attorney, Agent, or Firm—James F. Cottone

1 Claim, 4 Drawing Sheets



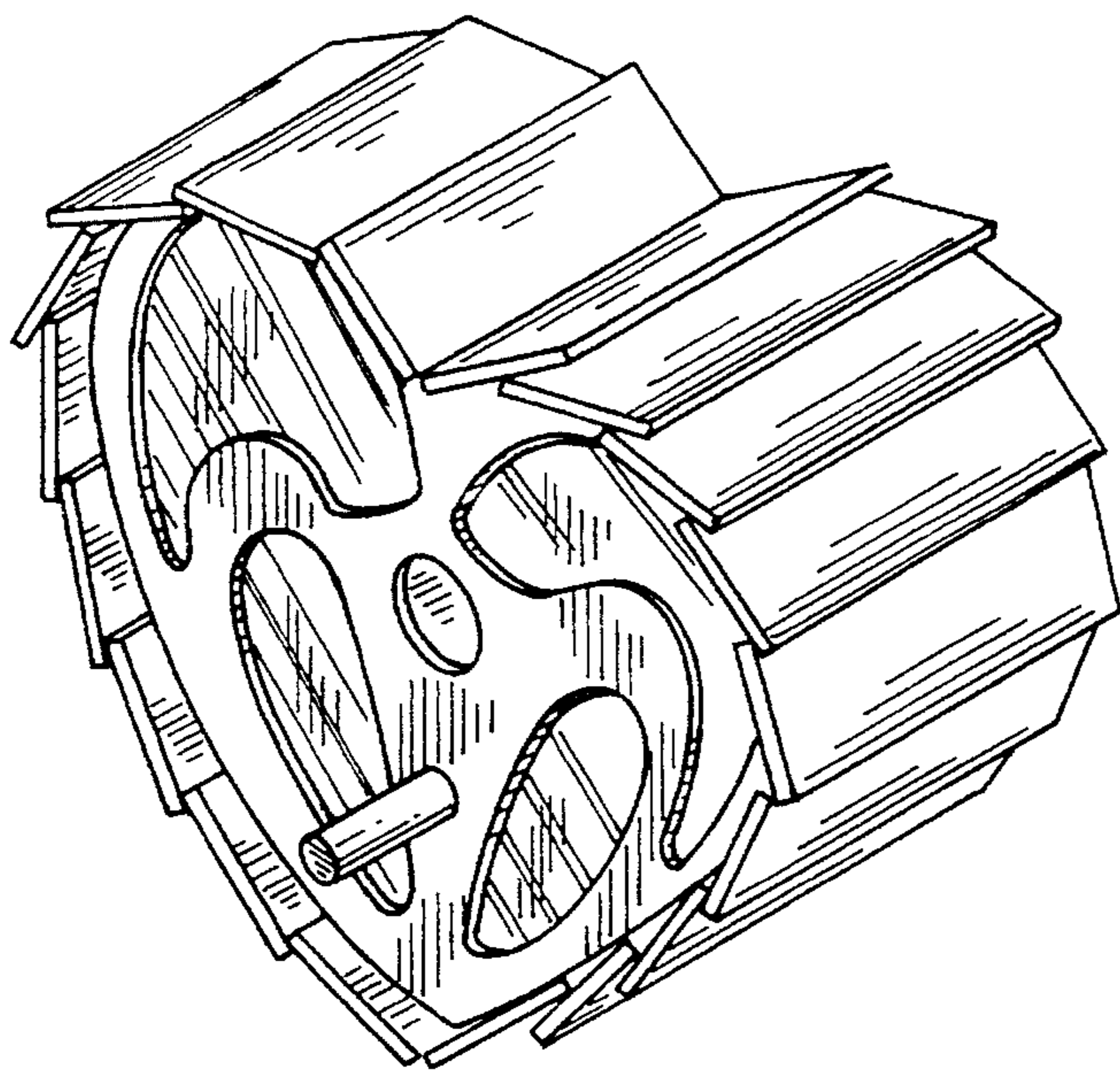


FIG. 1

FIG. 2

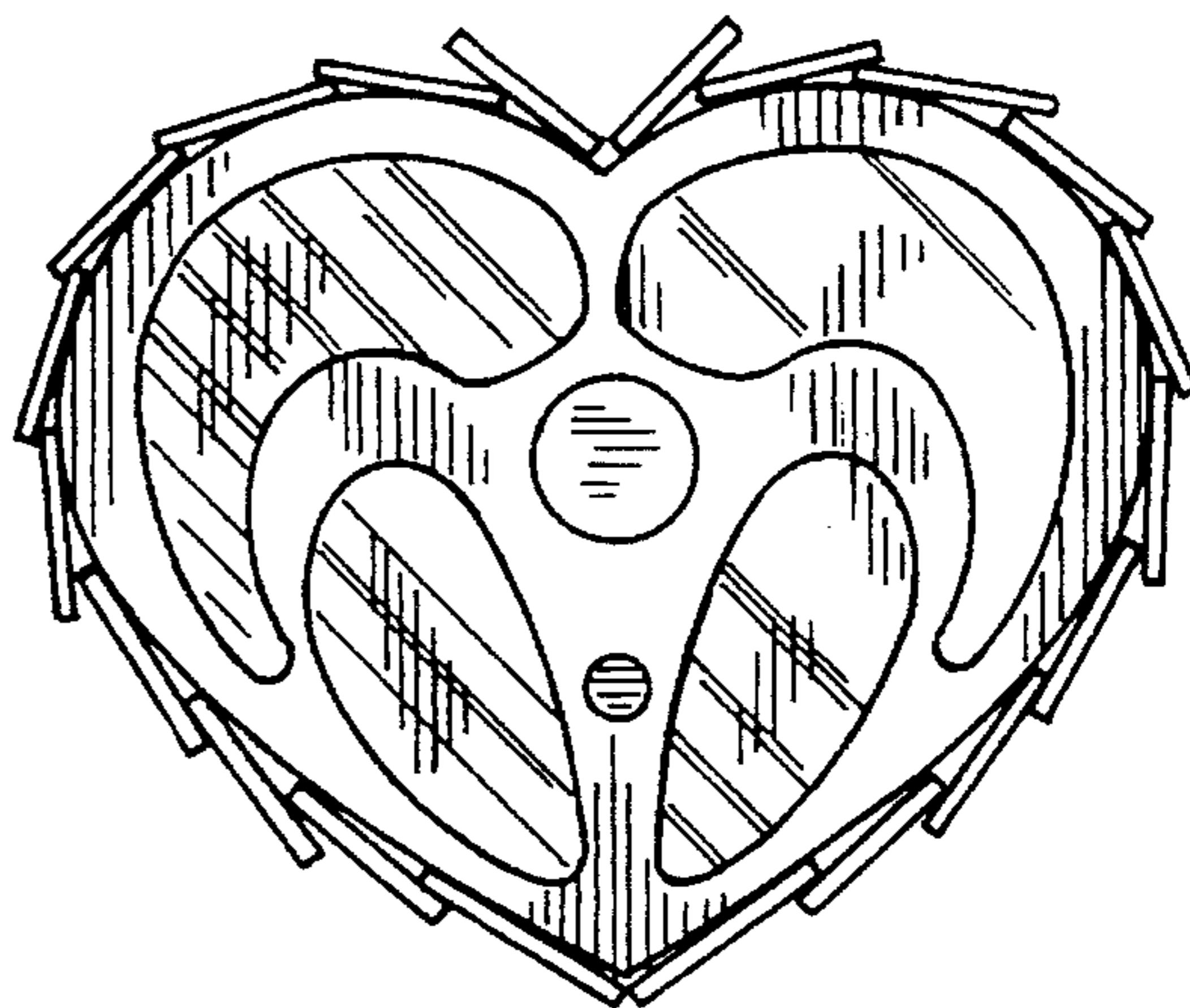


FIG. 3

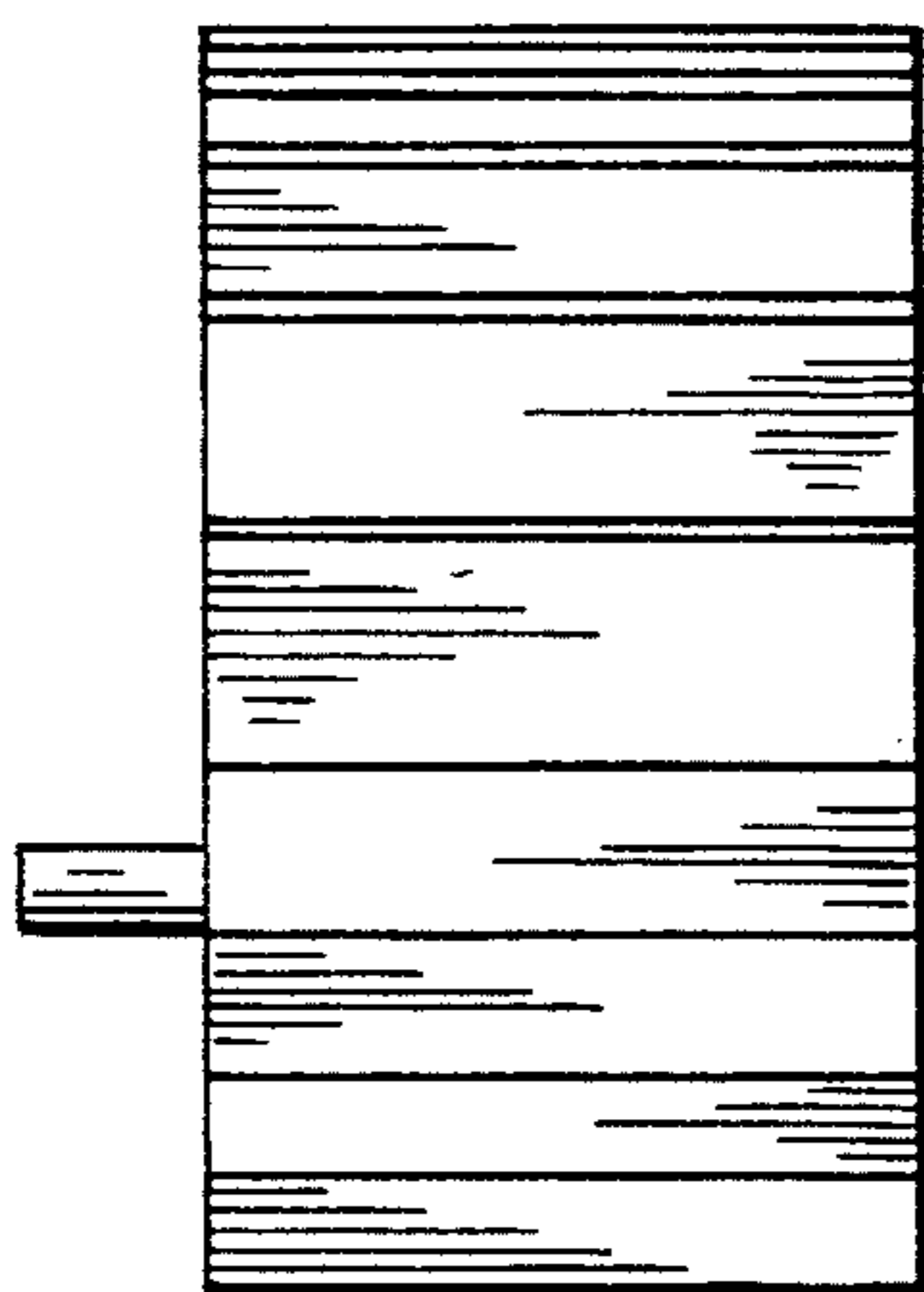
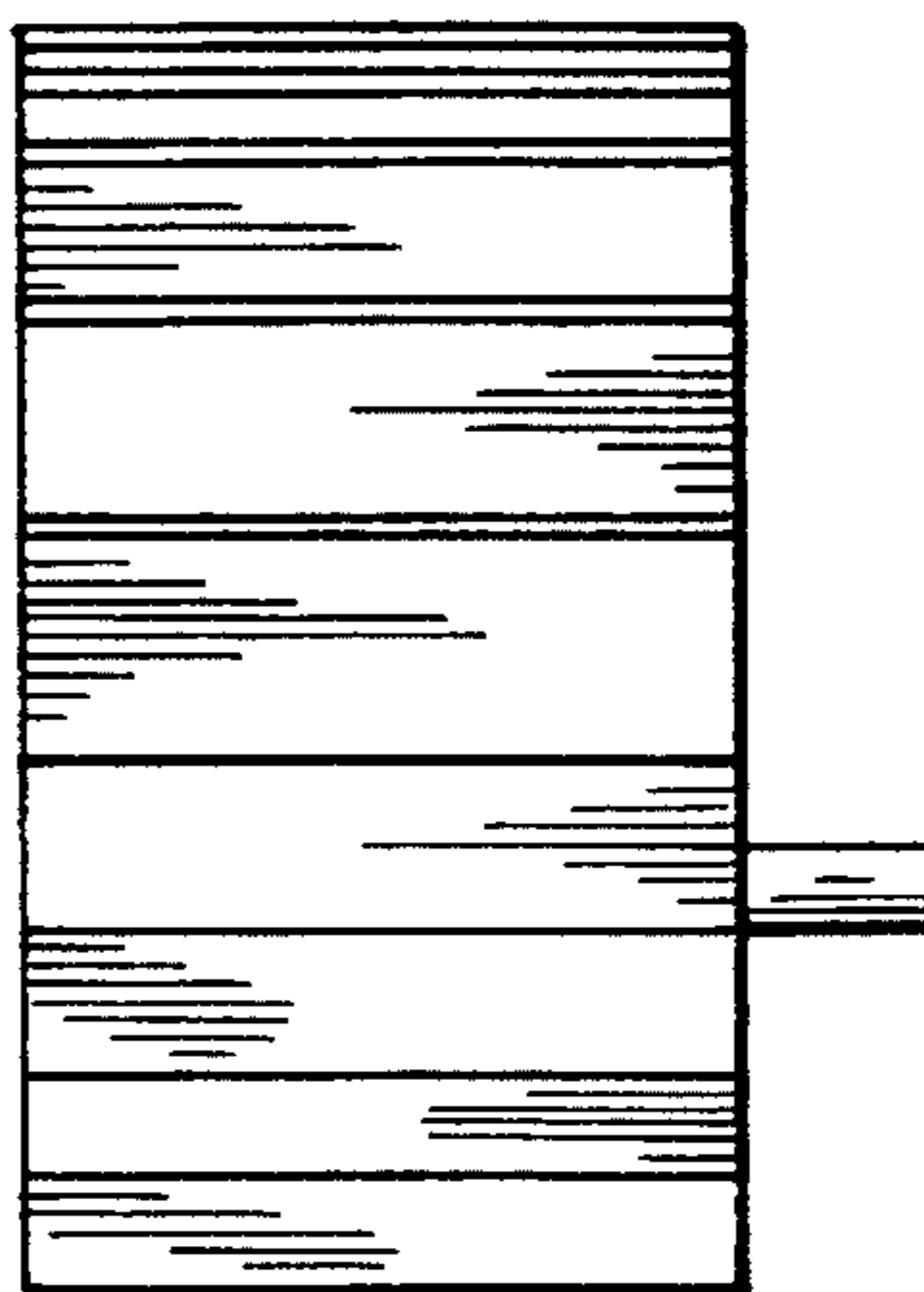


FIG. 4



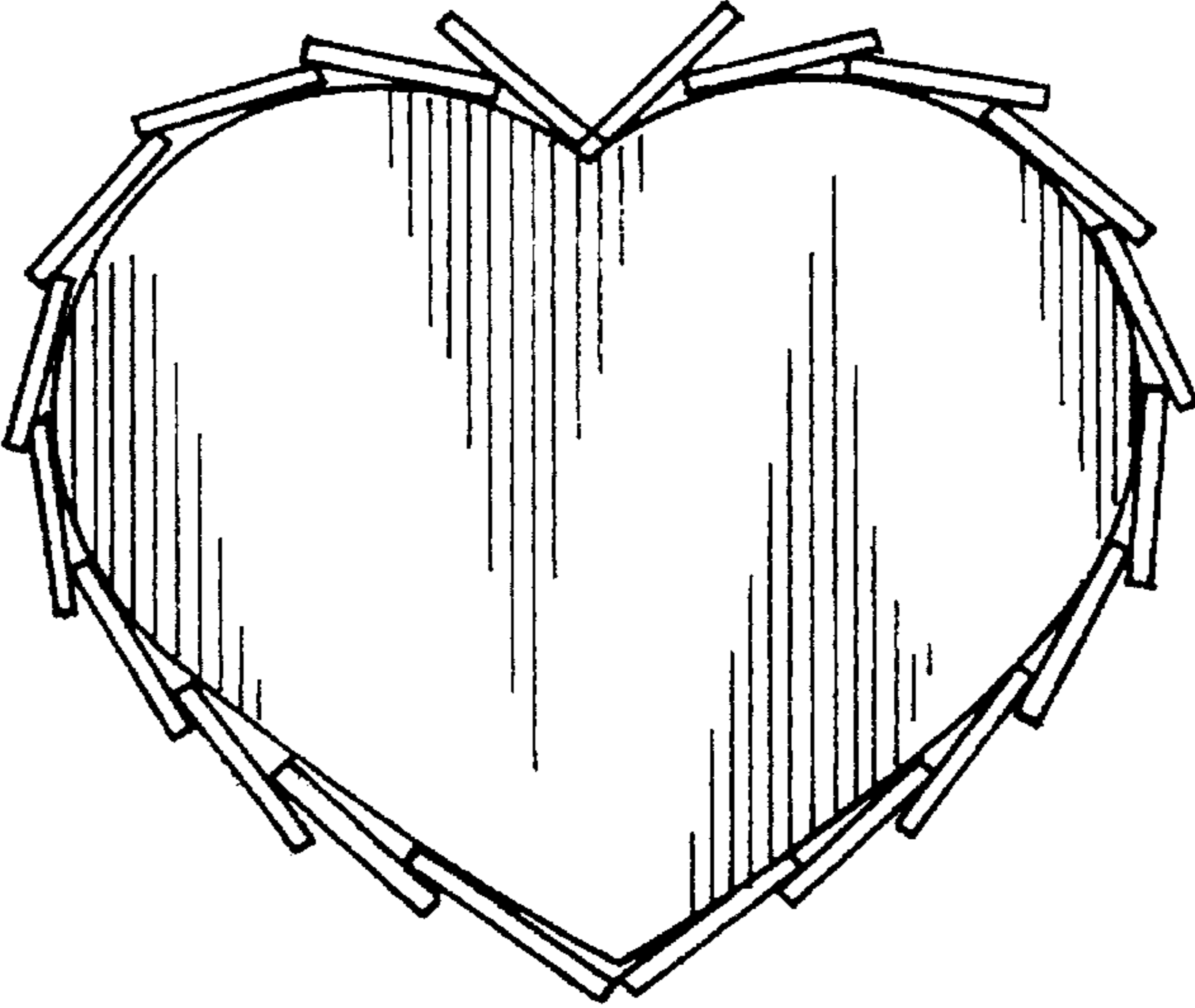


FIG. 5

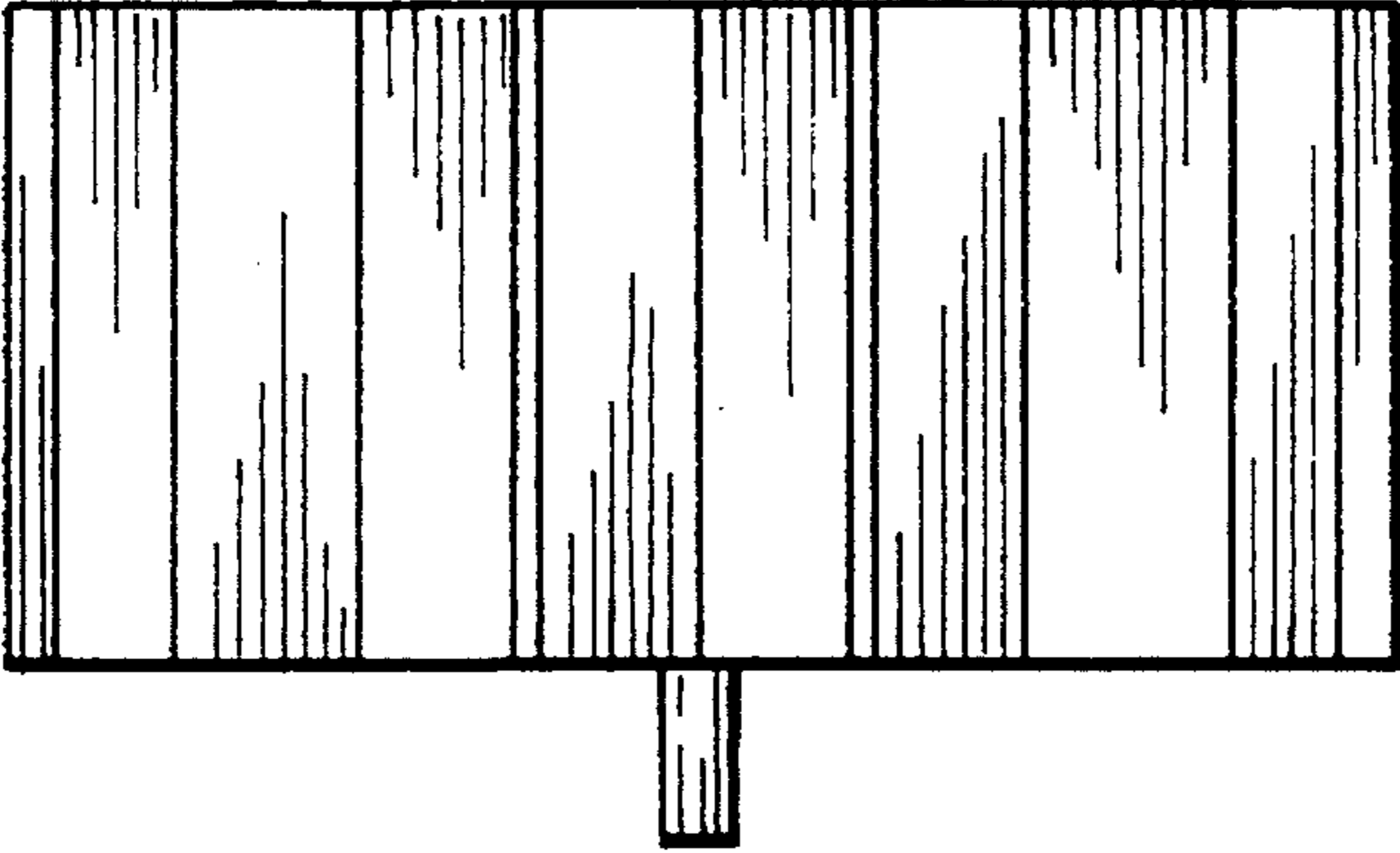


FIG. 6

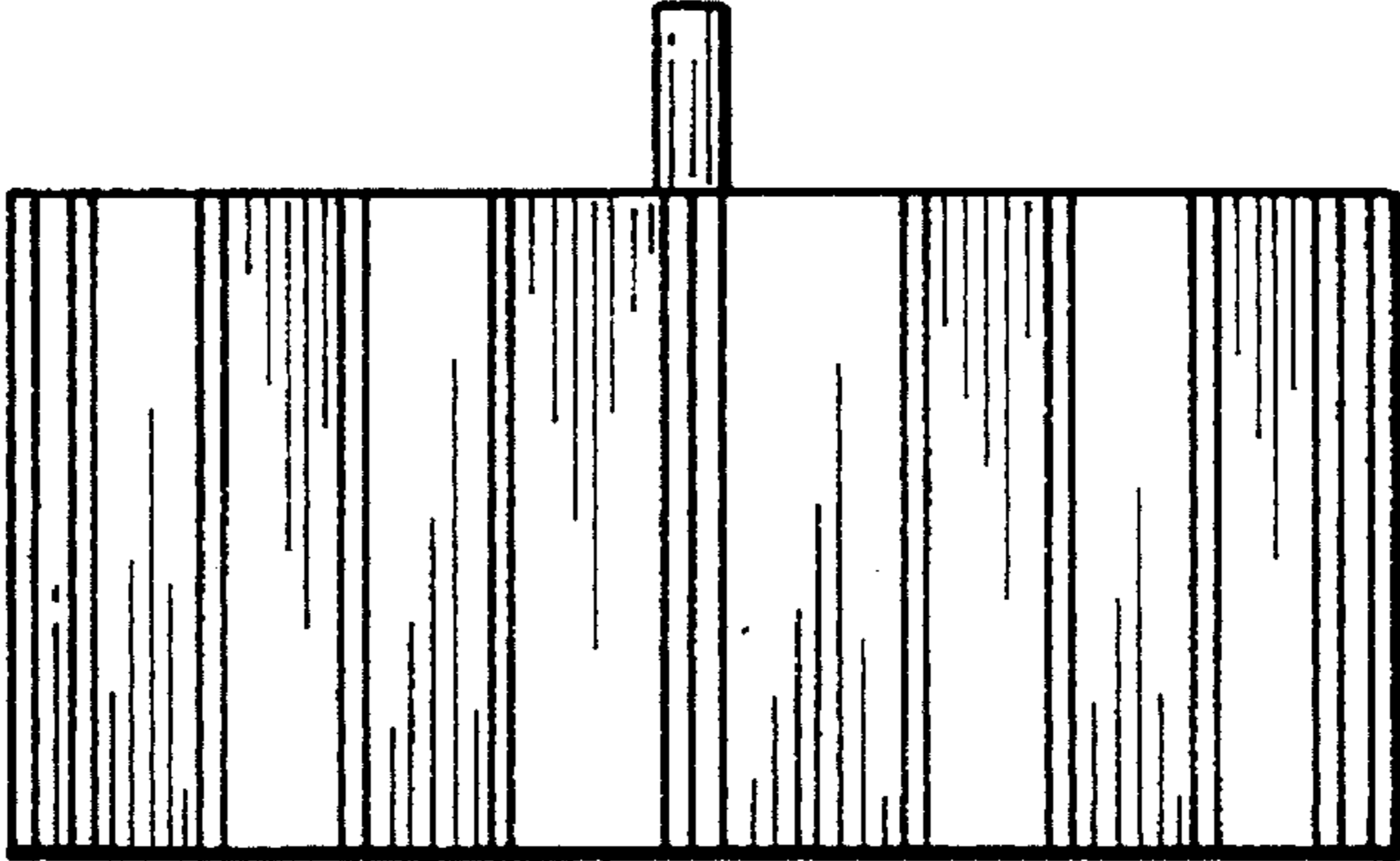


FIG. 7

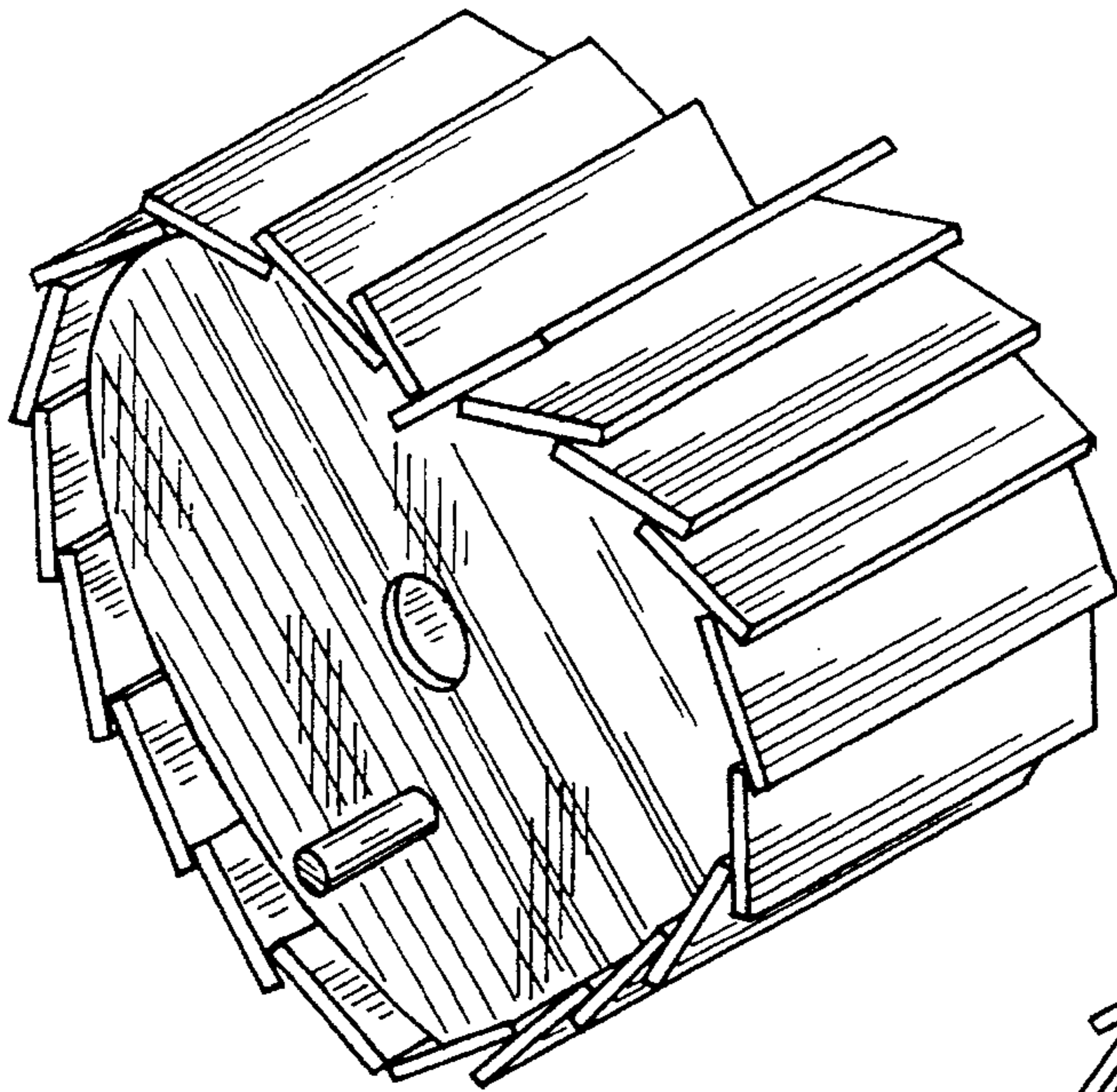


FIG. 8

FIG. 9

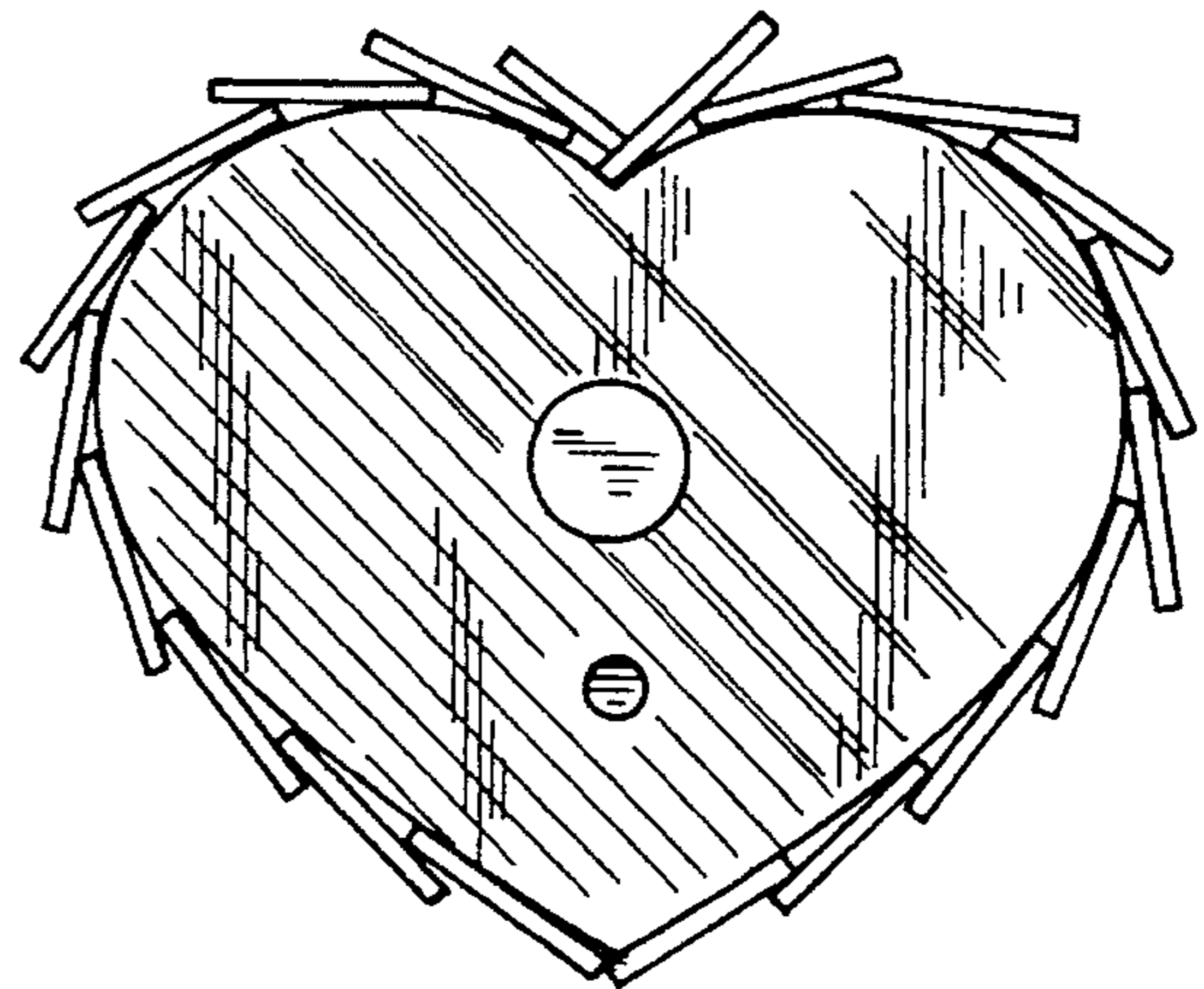


FIG. 10

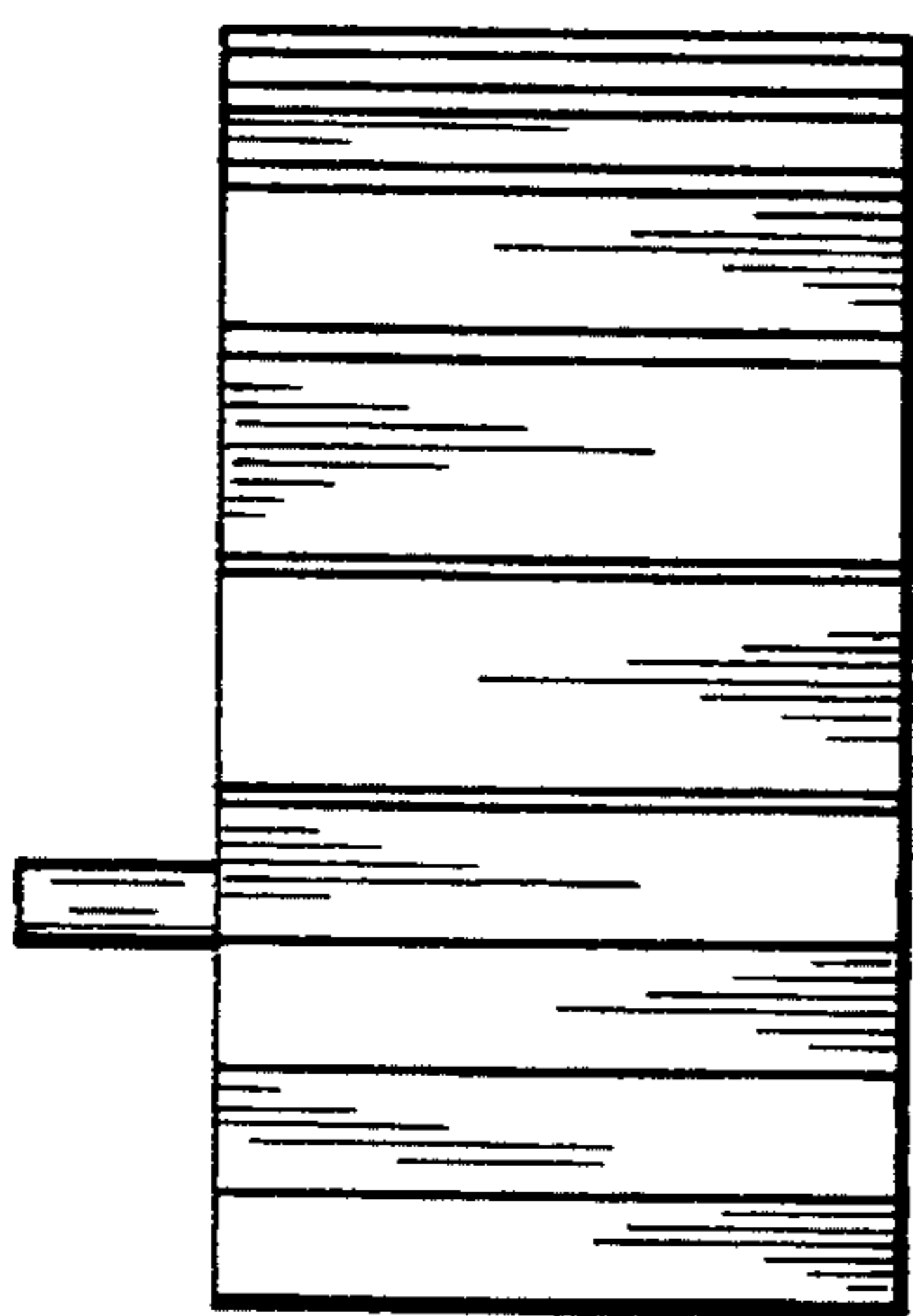
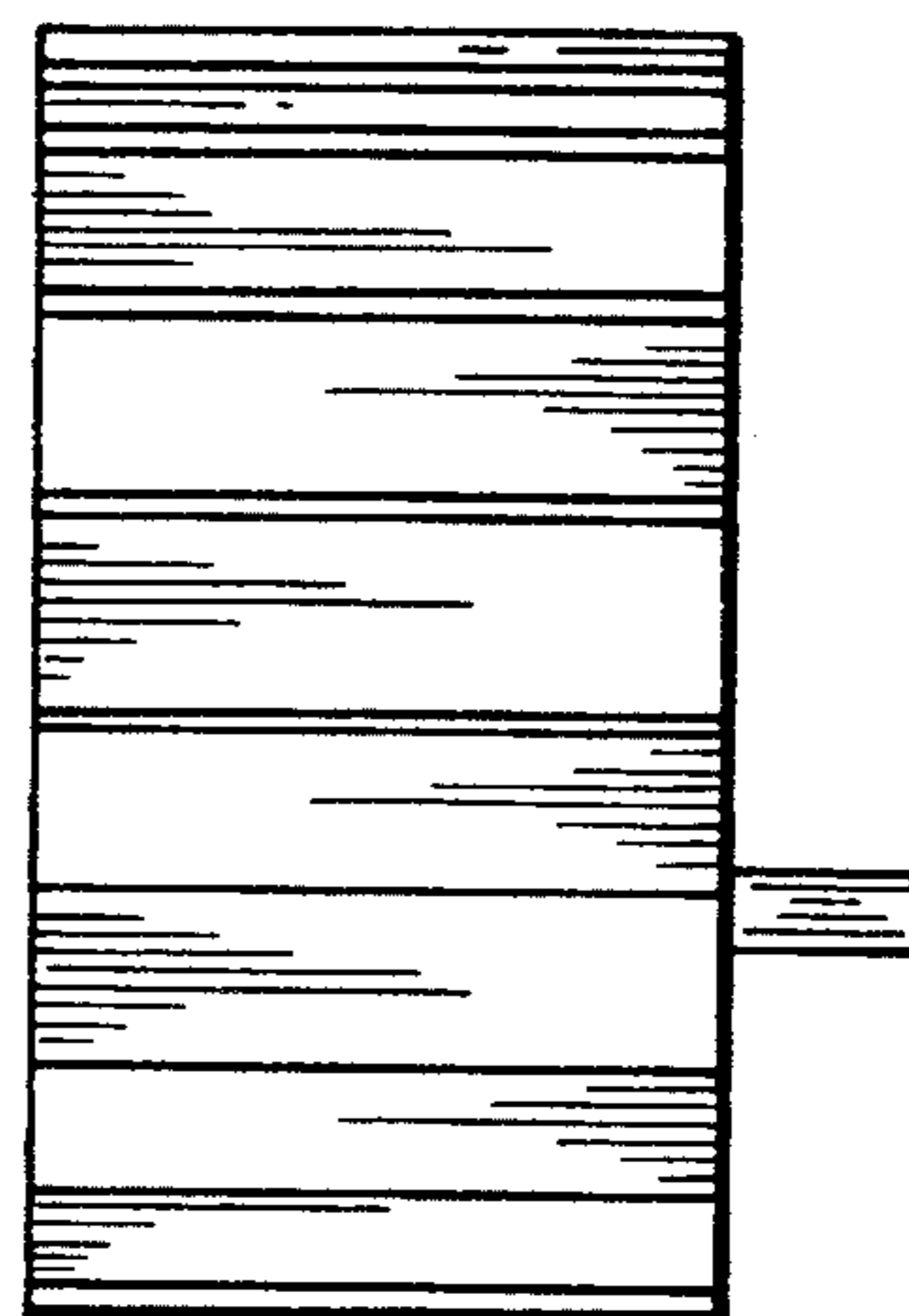


FIG. 11



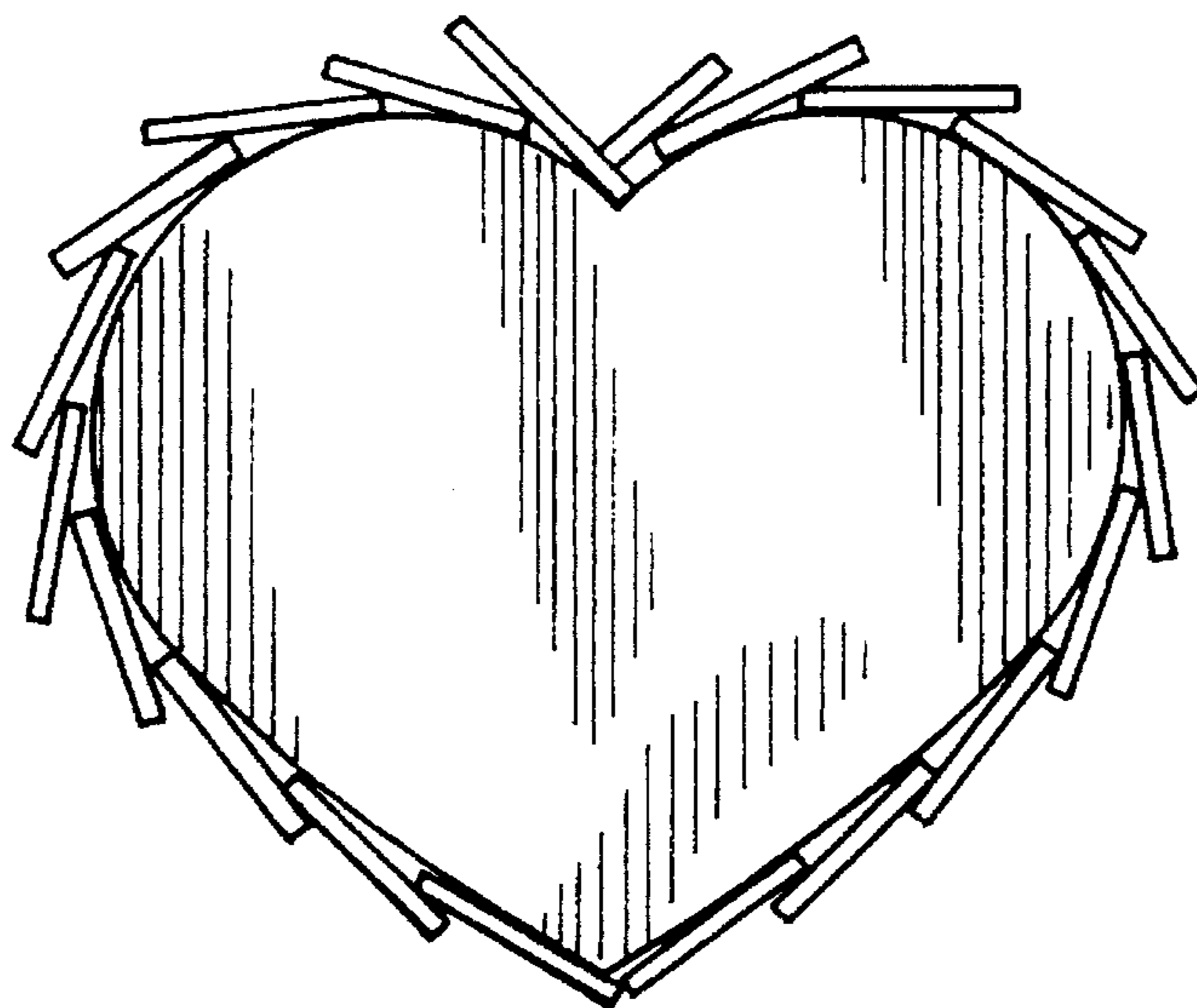


FIG. 12

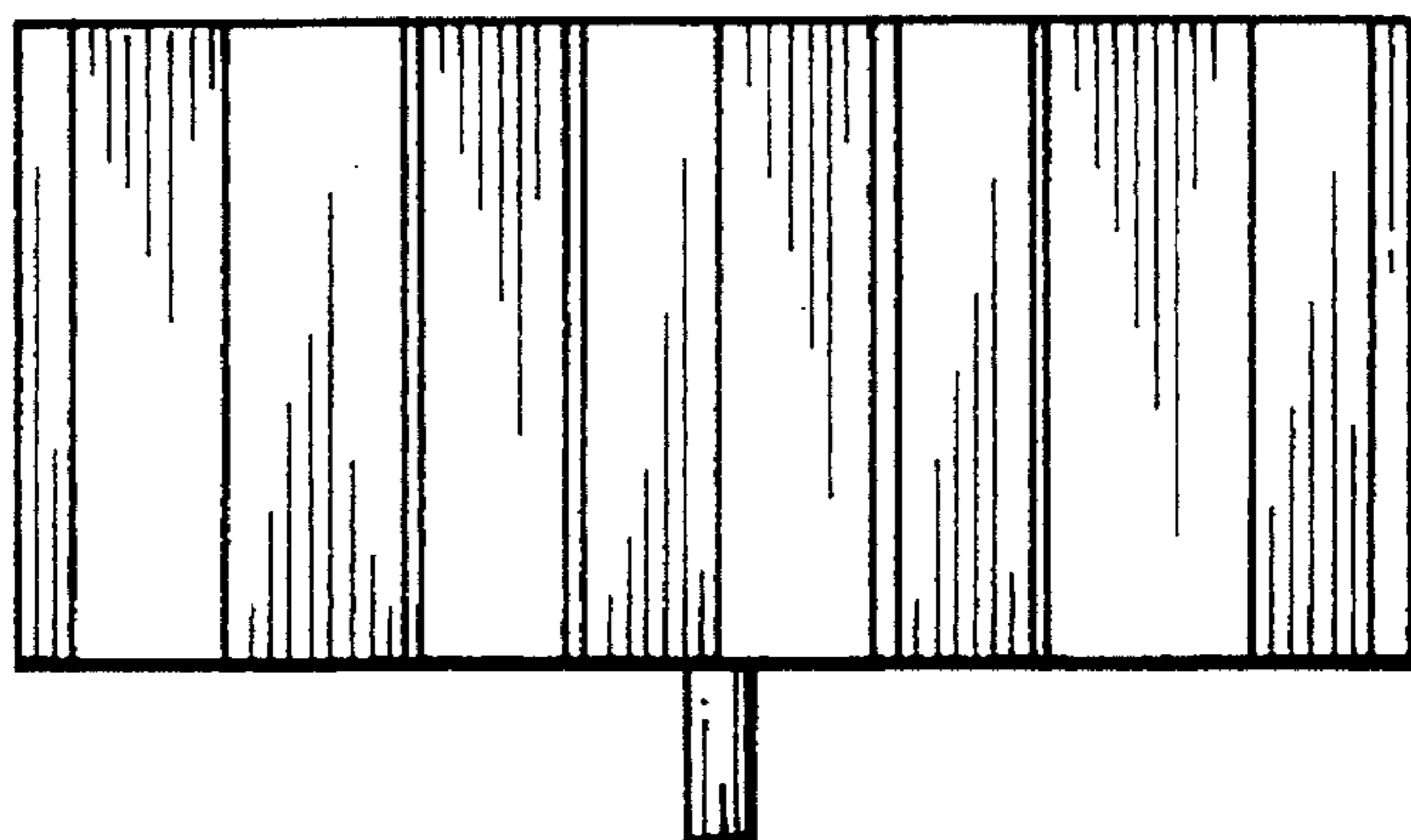


FIG. 13

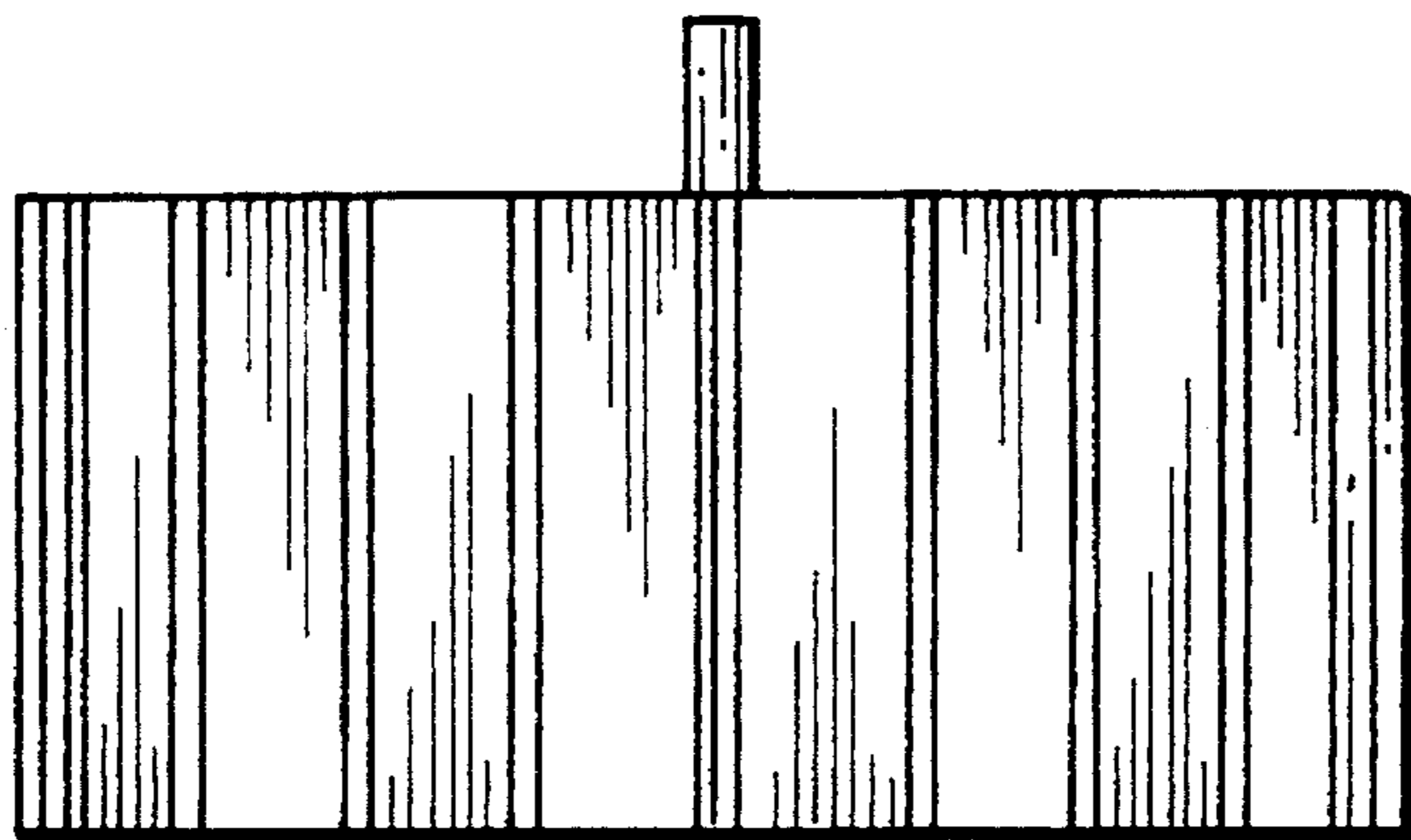


FIG. 14