



US00D370298S

United States Patent [19]
Fortunoff

[11] **Patent Number: Des. 370,298**
[45] **Date of Patent: **May 28, 1996**

[54] **LIGHTING TRACK**

[76] Inventor: **Andrea Fortunoff**, 8 Pine Rd., Syosset,
N.Y. 11791

[**] Term: **14 Years**

[21] Appl. No.: **27,083**

[22] Filed: **Aug. 12, 1994**

[52] U.S. Cl. **D26/140; D13/155; D26/63**

[58] **Field of Search** D26/61, 63, 65,
D26/138, 140; 362/269, 275, 282, 285,
418, 419, 427, 227, 236, 237, 238, 240,
249, 250; 439/110-121; D13/155

[56] **References Cited**

U.S. PATENT DOCUMENTS

D. 223,855	6/1972	Shaw	D26/63
3,748,629	7/1973	Price	439/116
4,751,627	6/1988	Usher	362/421
5,050,047	9/1991	Viner et al.	362/32

Primary Examiner—Susan J. Lucas
Attorney, Agent, or Firm—John P. Blasko

[57] **CLAIM**

The ornamental design for a lighting track, as shown and described.

DESCRIPTION

FIG. 1 is an end perspective view of the lighting track, the opposite end being a mirror image;

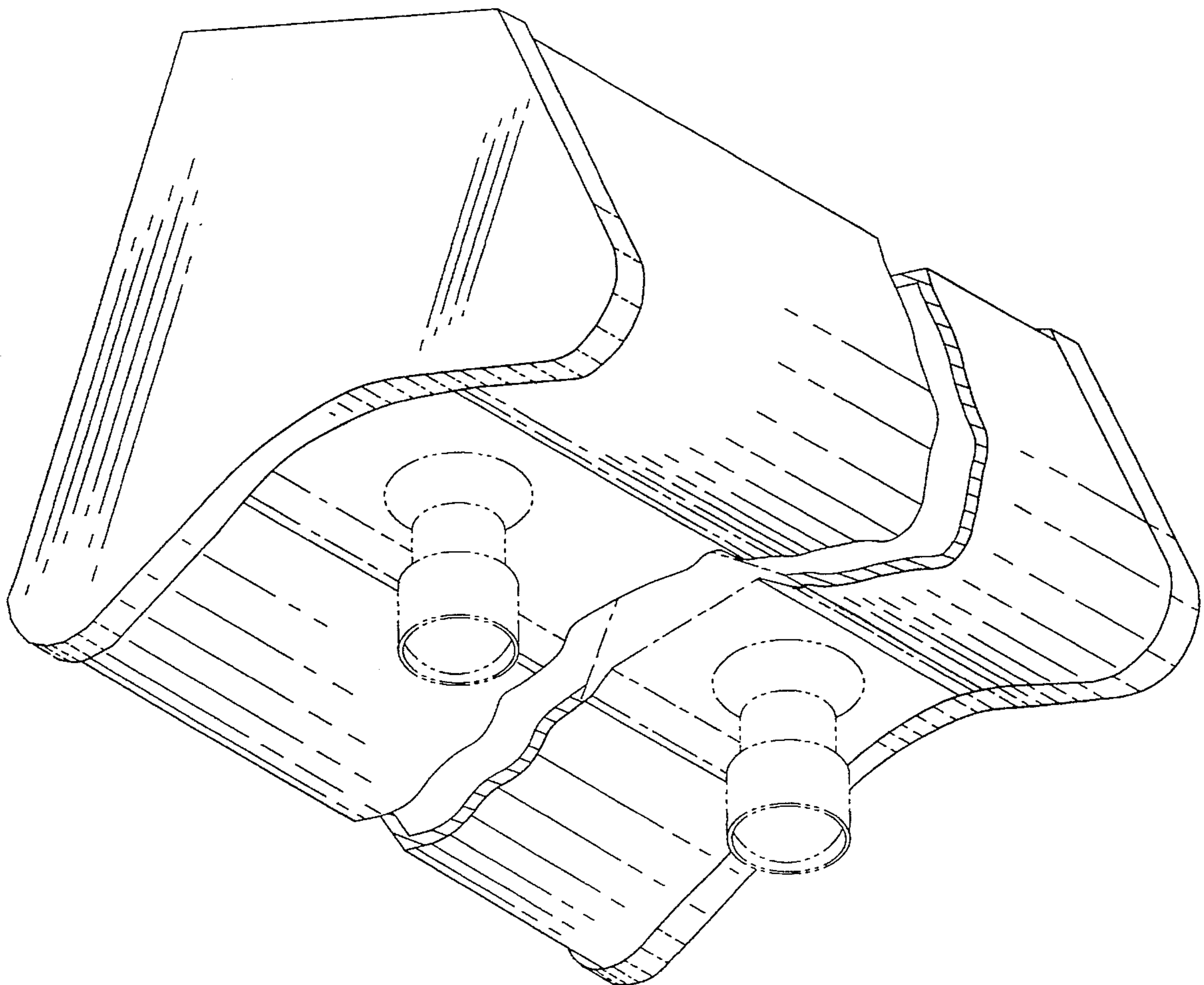
FIG. 2 is a cross-sectional view of the lighting track;

FIG. 3 is a side elevational view thereof as seen from the left hand side of FIG. 2; and,

FIG. 4 is a side elevational view thereof as seen from the right hand side of FIG. 2;

The lighting track is broken away in all figures to indicate indeterminate length. The lamps and their retaining bracket are shown in broken lines for illustrative purposes only.

1 Claim, 4 Drawing Sheets



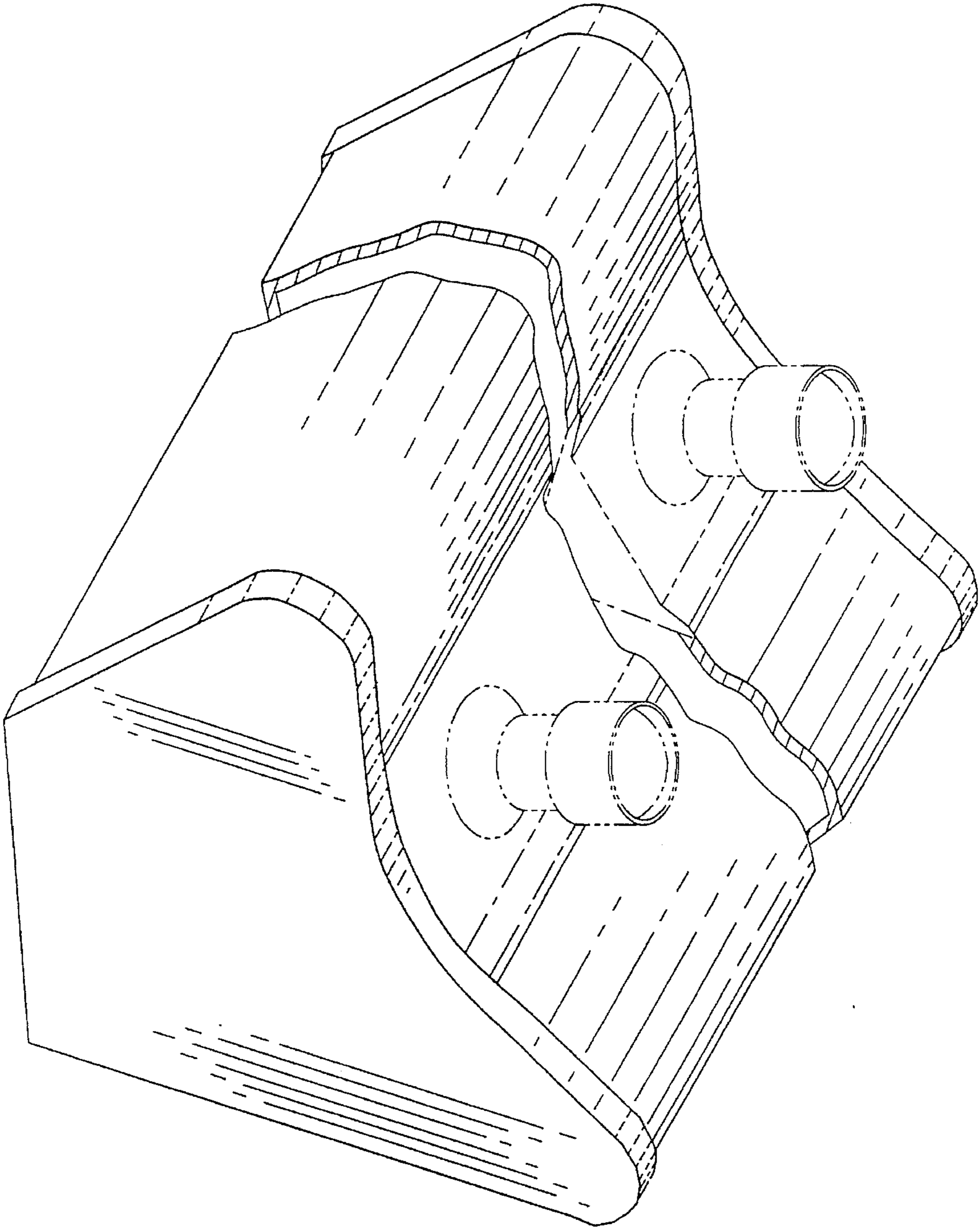


FIG. 1

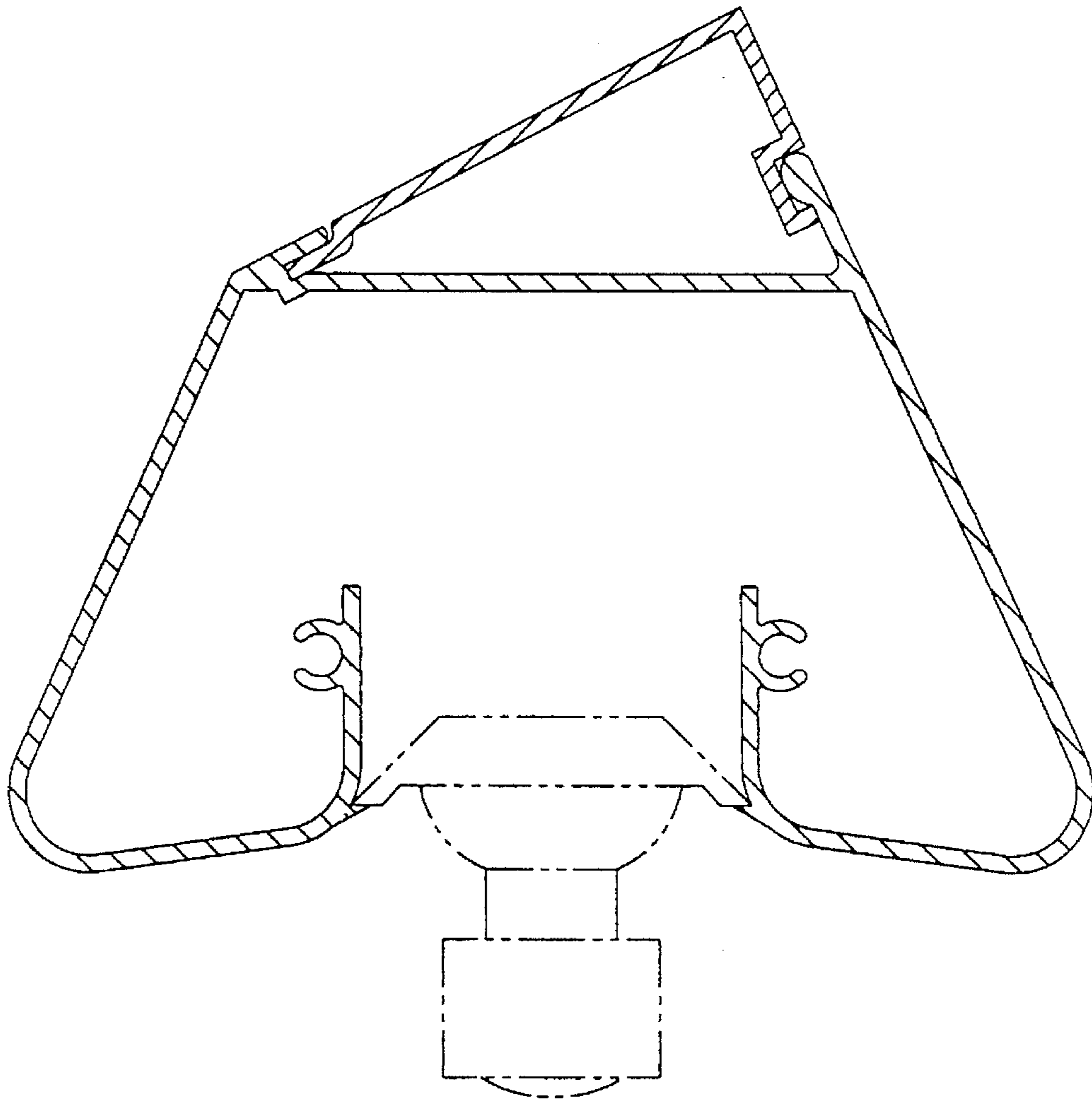


FIG. 2

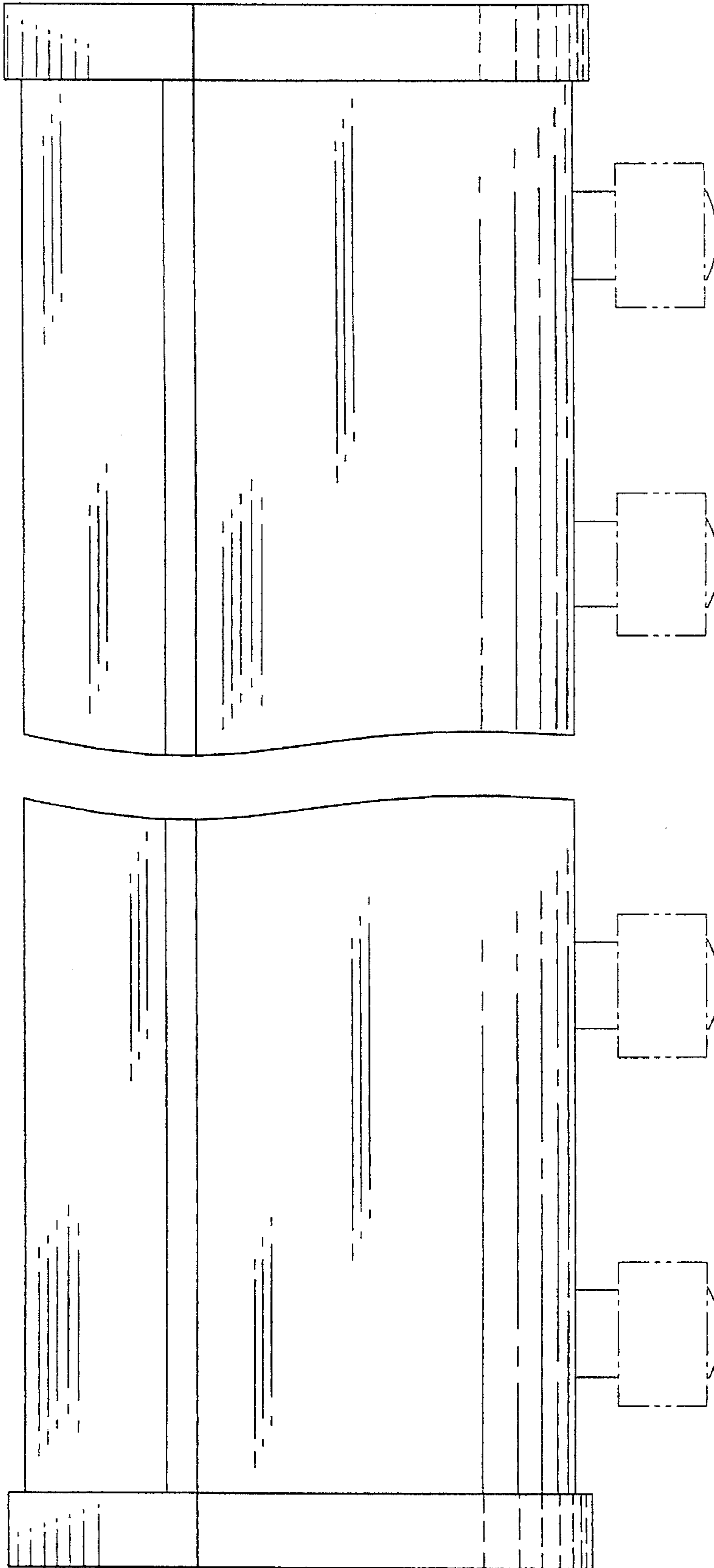


FIG. 3

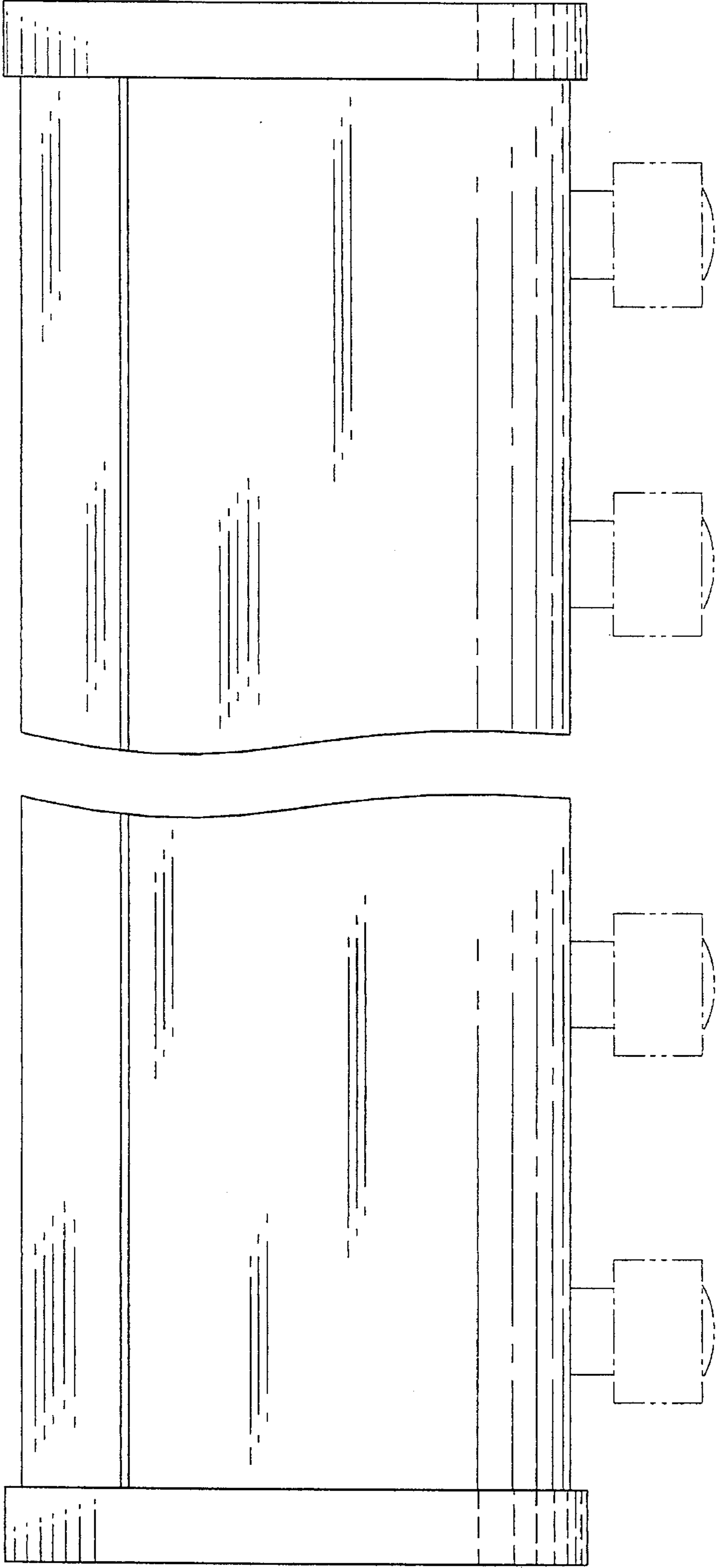


FIG. 4