



US00D370289S

United States Patent [19]

Deron

[11] Patent Number: **Des. 370,289**

[45] Date of Patent: ****May 28, 1996**

[54] **WALL LIGHT FIXTURE**

[75] Inventor: **Ivo O. Deron**, Inman, S.C.

[73] Assignee: **Progress Lighting**, Spartanburg, S.C.

[**] Term: **14 Years**

[21] Appl. No.: **33,228**

[22] Filed: **Jan. 6, 1995**

[52] U.S. Cl. **D26/92; D26/134**

[58] Field of Search 362/147, 432;
D26/142, 143, 145, 149, 129, 130, 131,
134, 72, 80-92

[56] **References Cited**

U.S. PATENT DOCUMENTS

D. 44,256 6/1913 Peck D26/134
D. 333,363 2/1993 Lee D26/142

OTHER PUBLICATIONS

Kichler Lighting Catalog, 1987, p. 85, Wall Lamp #K-5231.
Progress Lighting Catalog, ©1992, p. 15, Sconce
#P2907-10.

Sea Gull Lighting Catalog, ©1987, p. 94, Wall Lamp
#4601-02.

Primary Examiner—Susan J. Lucas
Attorney, Agent, or Firm—Seidel Gonda Lavorgna &
Monaco

[57] **CLAIM**

The ornamental design for a wall light fixture, as shown and
described.

DESCRIPTION

FIG. 1 is a front elevational view of a wall light fixture
showing my new design;

FIG. 2 is a top plan view of the wall light fixture;

FIG. 3 is a right side elevational view of the wall light
fixture, the left side being a mirror image;

FIG. 4 is a rear elevational view of the wall light fixture; and,

FIG. 5 is a bottom plan view of the wall light fixture.

1 Claim, 3 Drawing Sheets

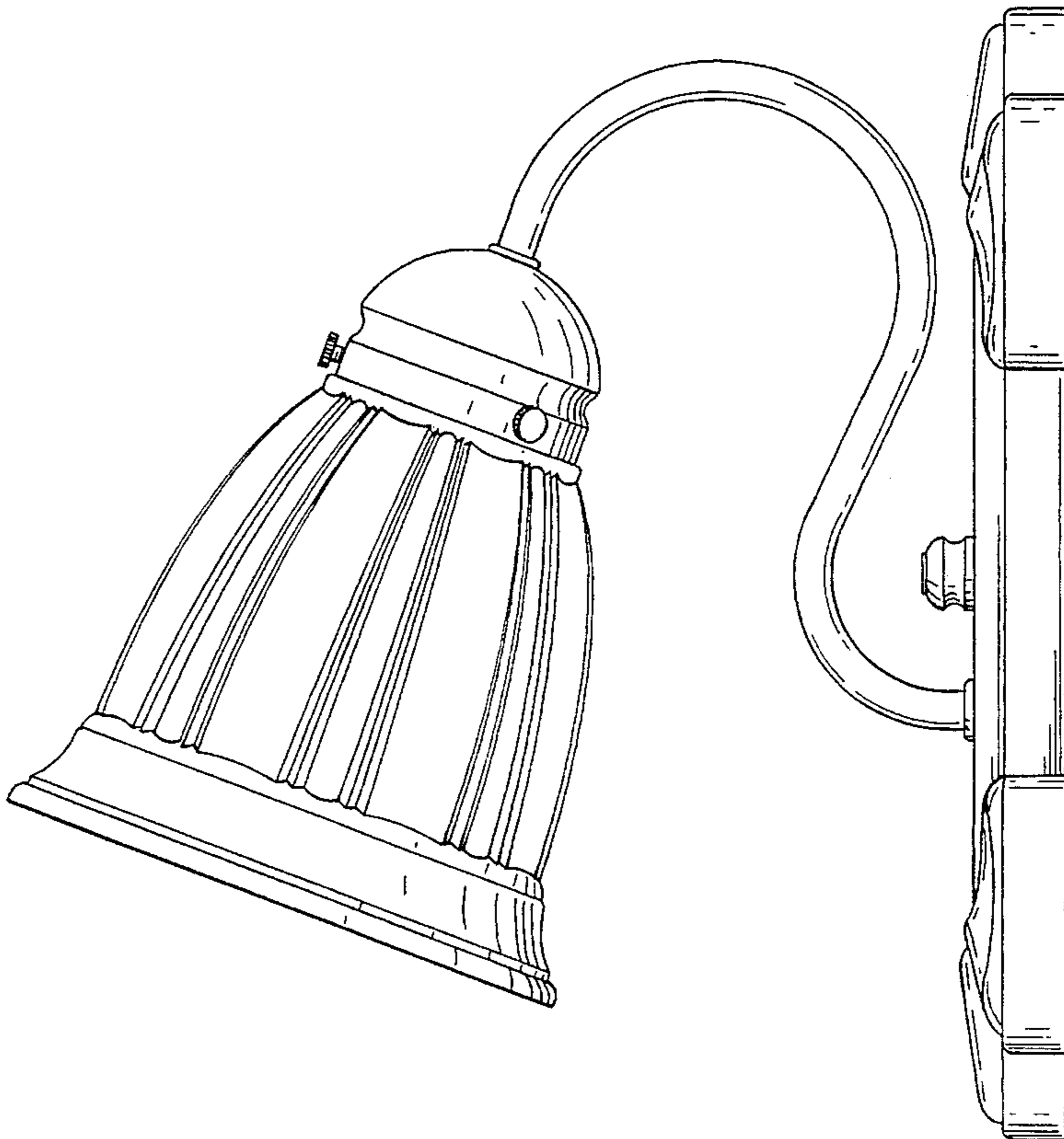
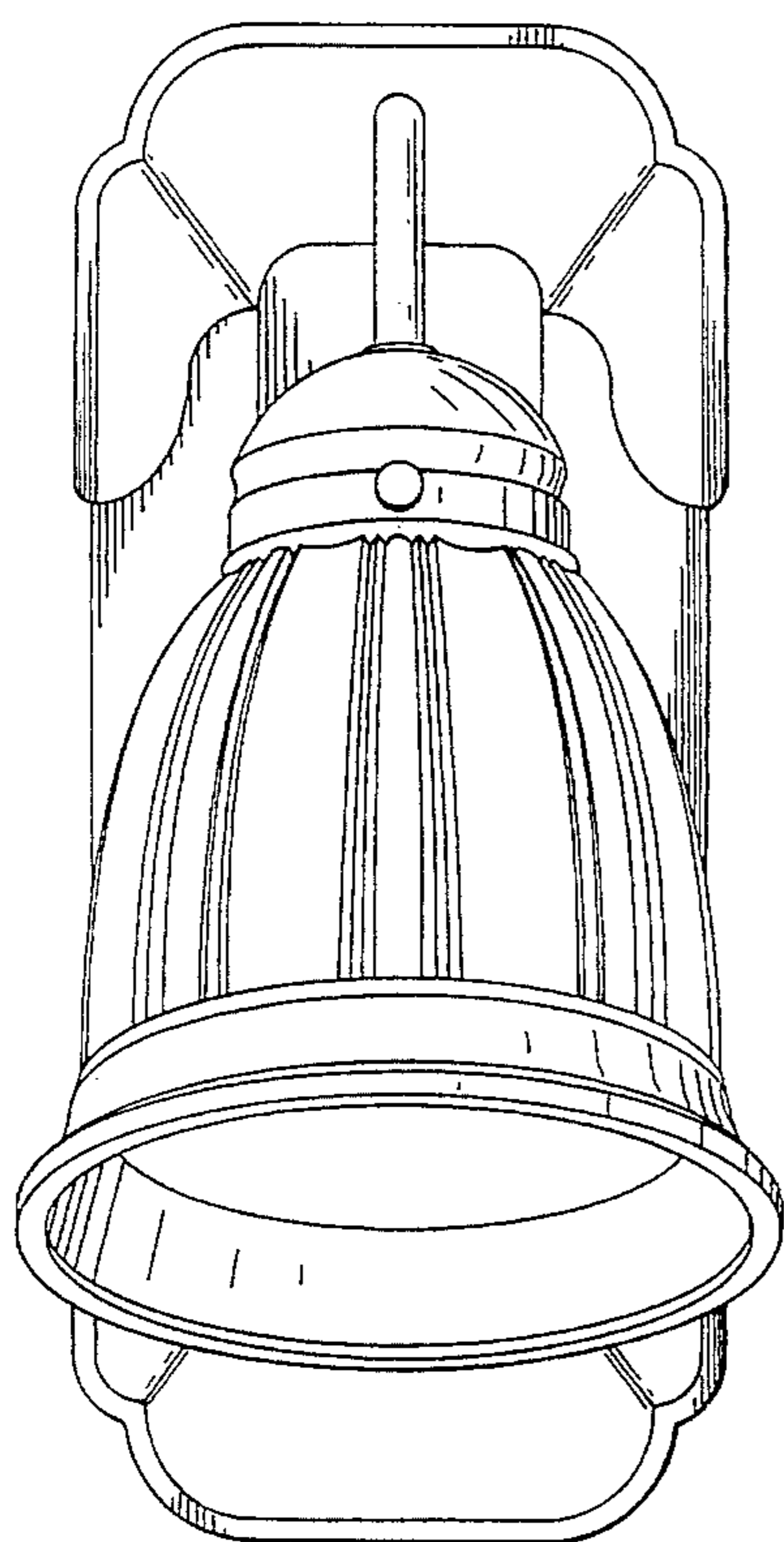


FIG. 1

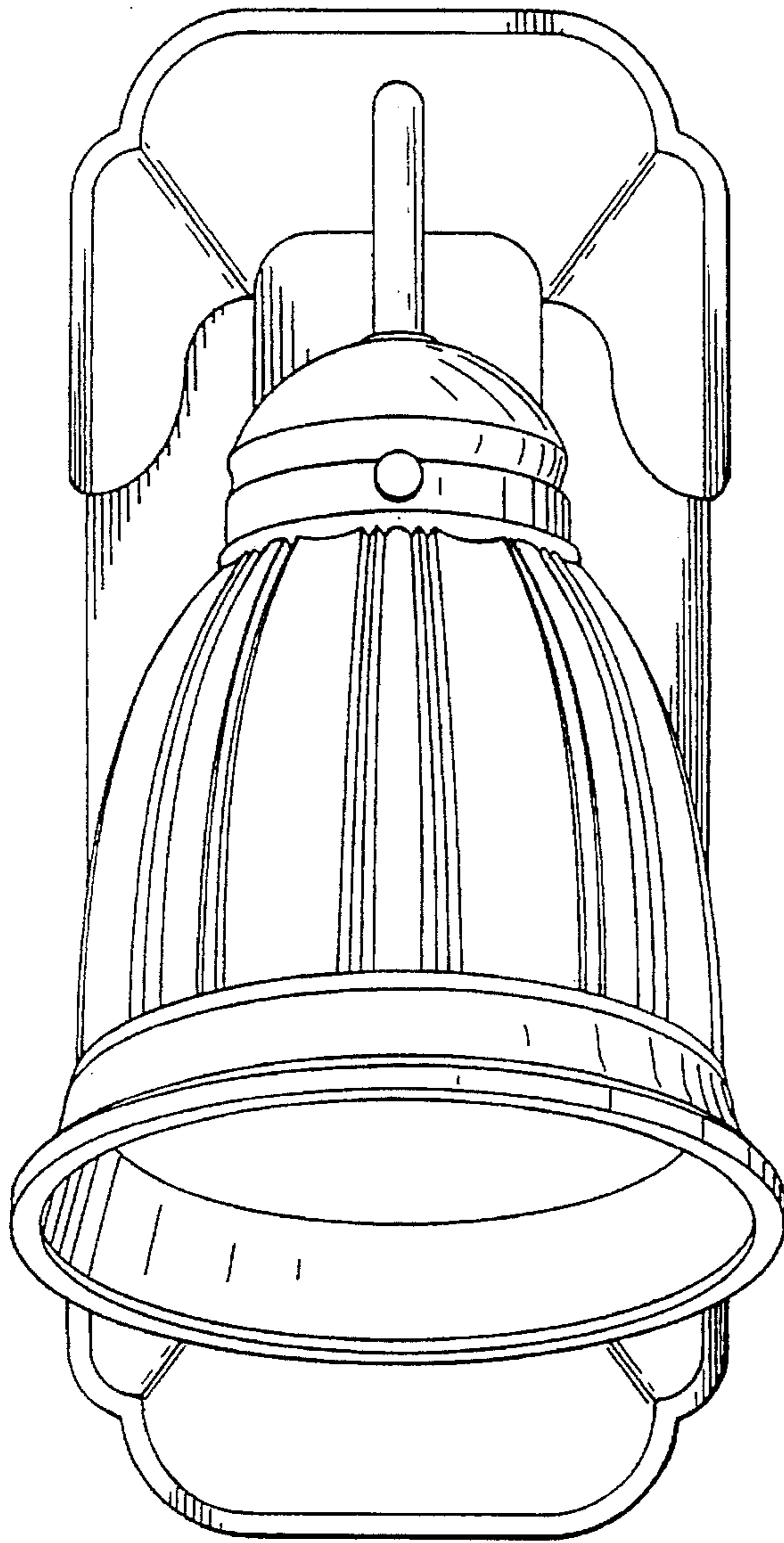


FIG. 2

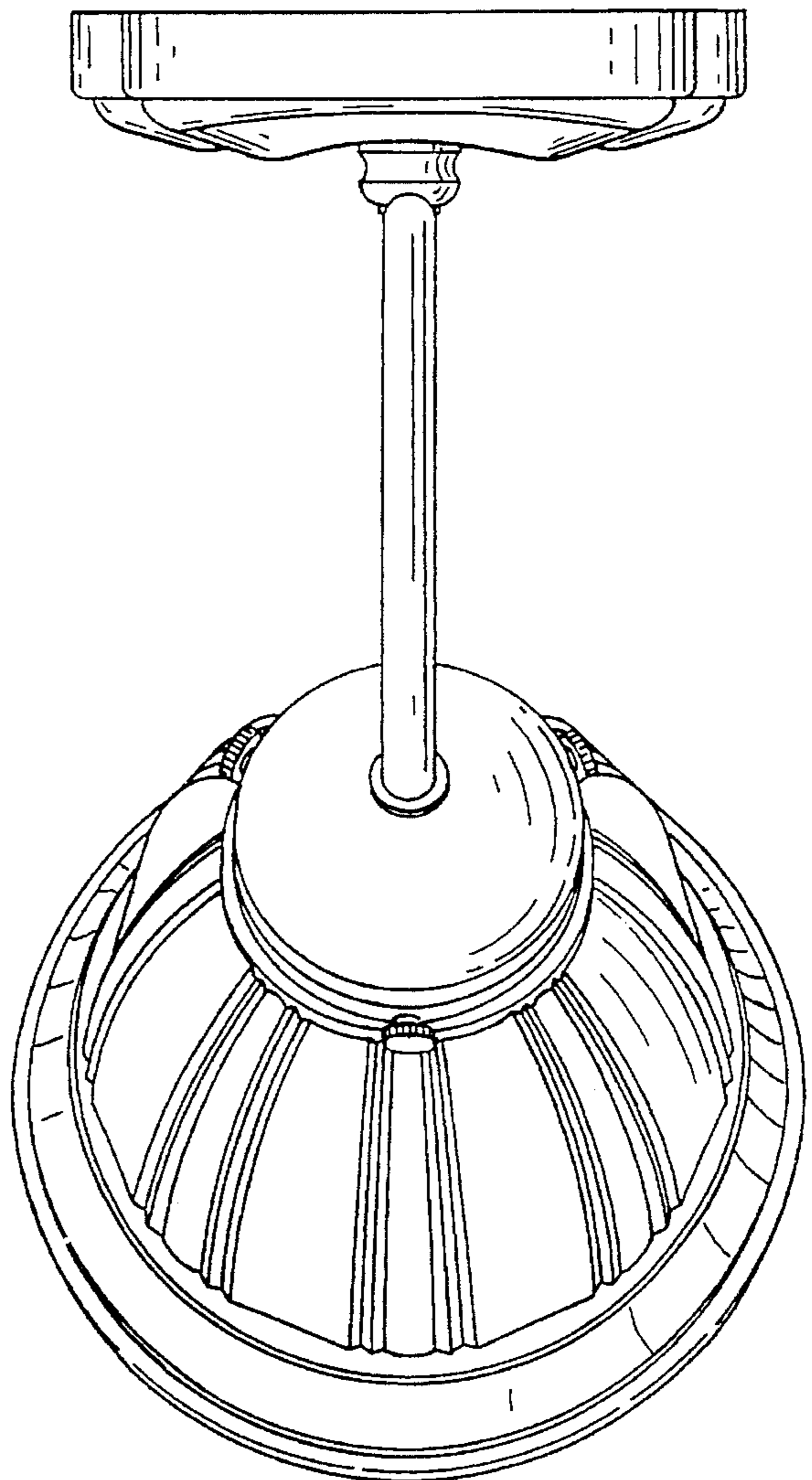


FIG. 3

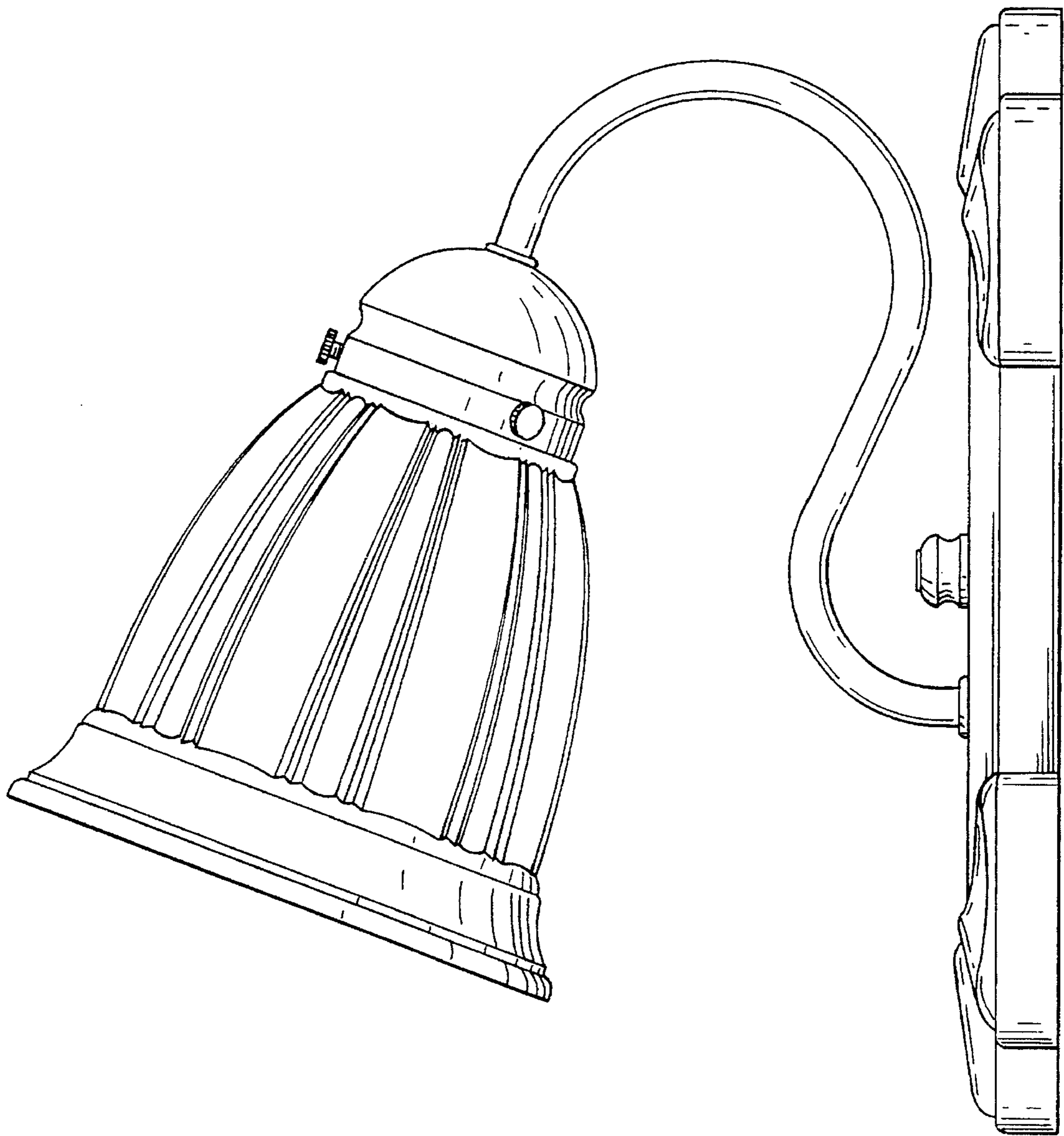


FIG. 4

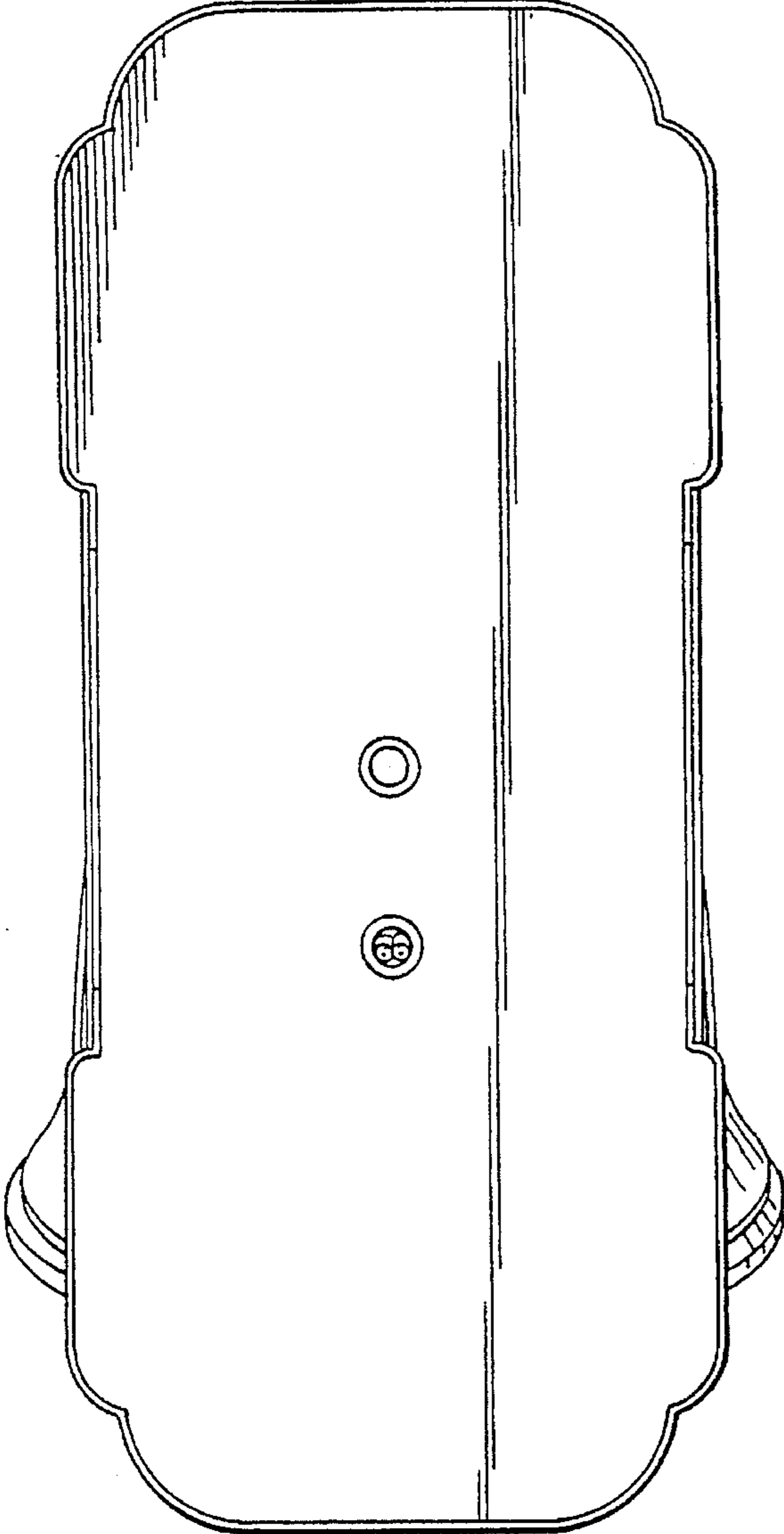


FIG. 5

