



US00D370288S

United States Patent [19]
Tognú

[11] **Patent Number: Des. 370,288**

[45] **Date of Patent: **May 28, 1996**

[54] **OUTDOOR LAMP**

[75] Inventor: **Angelo Tognú**, Lumezzane S.
Apollonio, Italy

[73] Assignee: **Garden Light S.r.l.**, Italy

[**] Term: **14 Years**

[21] Appl. No.: **38,736**

[22] Filed: **May 12, 1995**

[30] **Foreign Application Priority Data**

Nov. 24, 1994 [IT] Italy MI9400584

[52] **U.S. Cl.** **D26/67**

[58] **Field of Search** D26/67, 68, 69,
D26/70, 71; 362/153.1, 363, 431

[56] **References Cited**

U.S. PATENT DOCUMENTS

1,339,220 5/1920 Perl et al. 362/431

OTHER PUBLICATIONS

ELA Co. Exterior Lamp Catalog page, ©1989, Exterior
Lamp #2544.

Intermatic© Malibu Lighting Catalog, 1992, p. 3, Globe
Light.

Progressive Architecture, Sep. 1986, p. 131, Globe Light.

Primary Examiner—Susan J. Lucas
Attorney, Agent, or Firm—Laff, Whitesel, Conte & Saret,
Ltd.

[57] **CLAIM**

The ornamental design for an outdoor lamp, as shown and
described.

DESCRIPTION

FIG. 1 is a front elevation view of the outdoor lamp;

FIG. 2 is a rear elevation view of the outdoor lamp shown
in FIG. 1;

FIG. 3 is a right side view of the outdoor lamp shown in FIG.
1;

FIG. 4 is a left side view of the outdoor lamp shown in FIG.
1;

FIG. 5 is a bottom view of the outdoor lamp shown in FIG.
1;

FIG. 6 is a top view of the outdoor lamp shown in FIG. 1:
and,

FIG. 7 is a perspective view of the outdoor lamp shown in
FIG. 1.

1 Claim, 7 Drawing Sheets

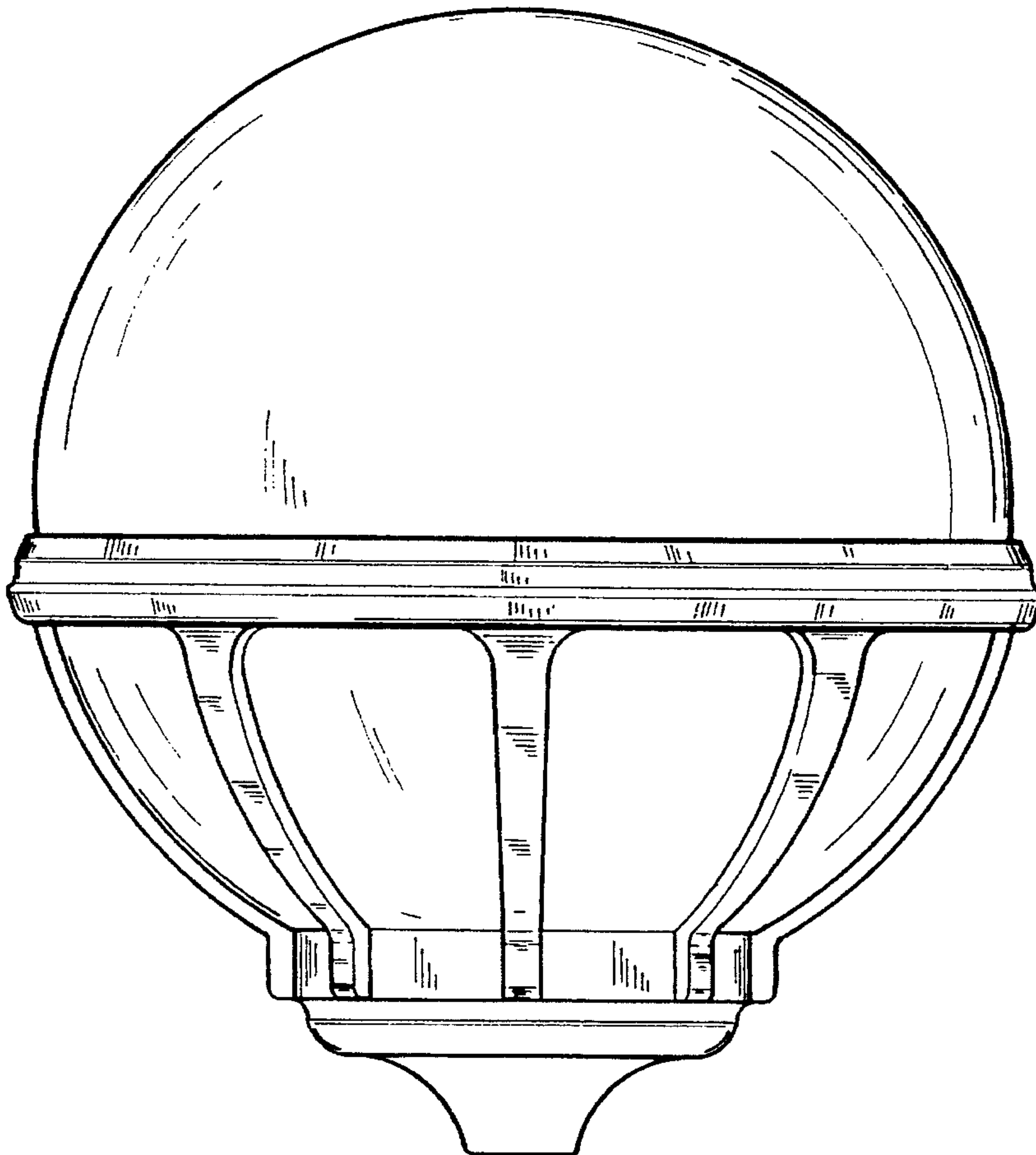


FIG1

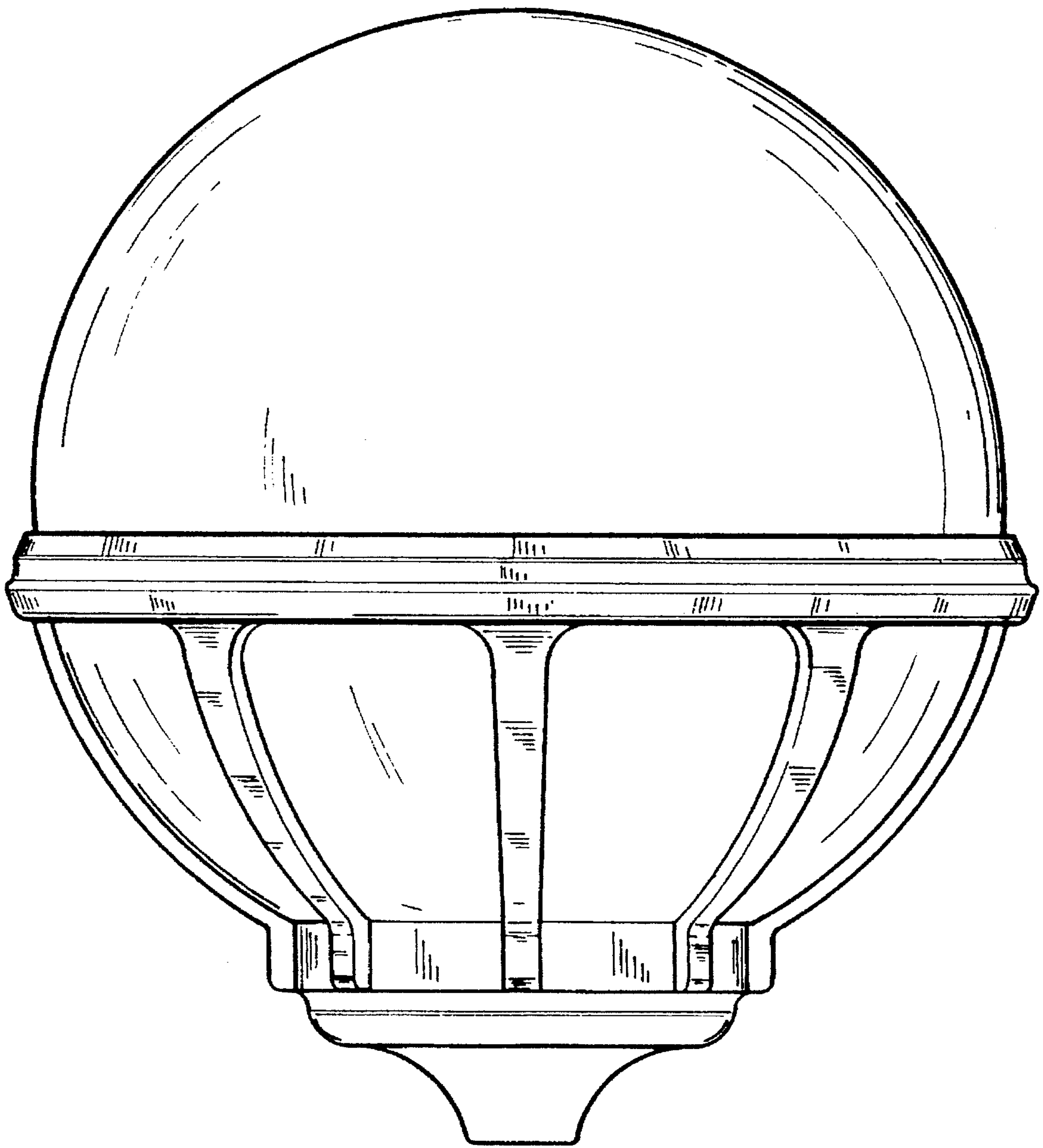


FIG 2

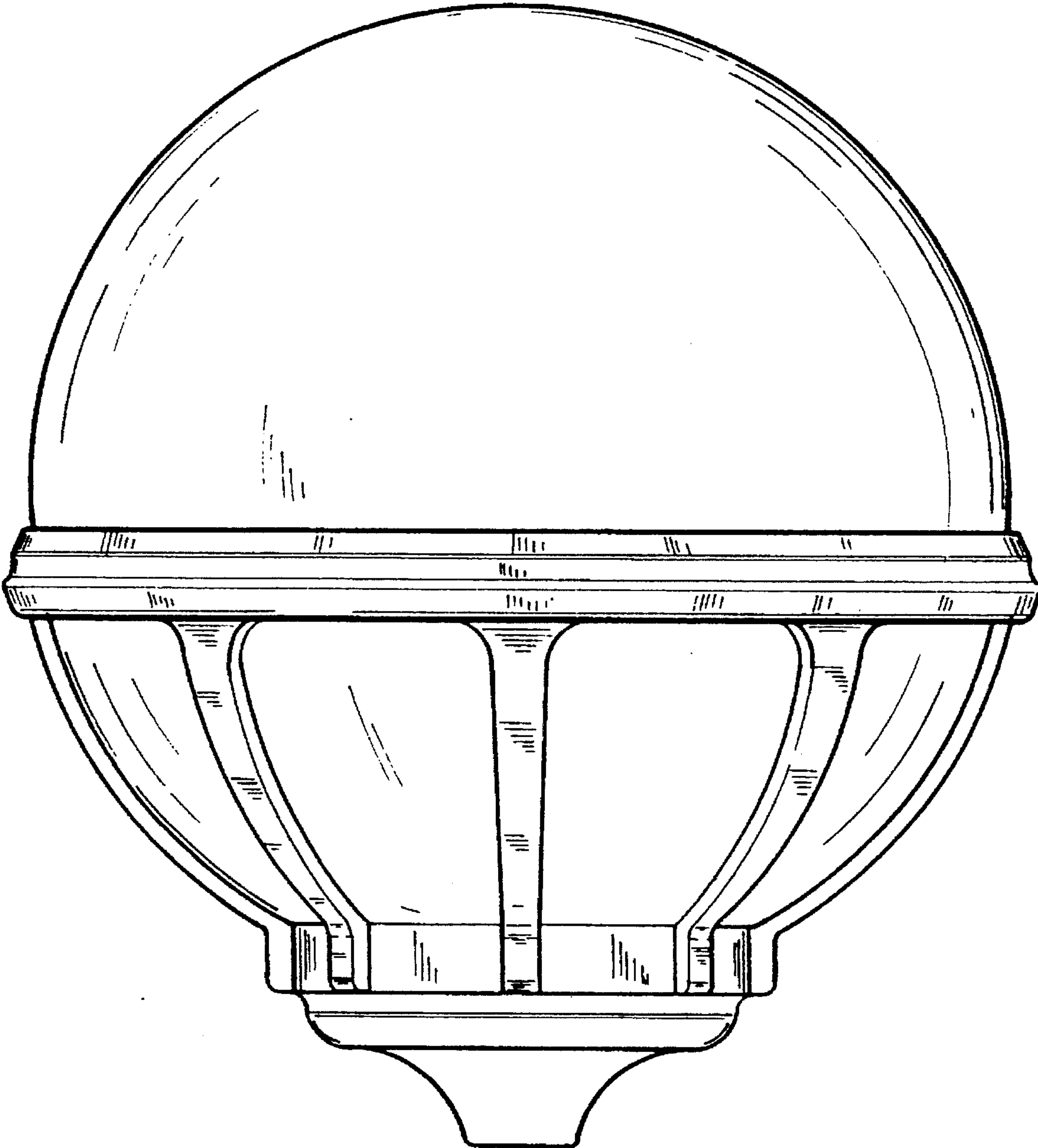


FIG 3

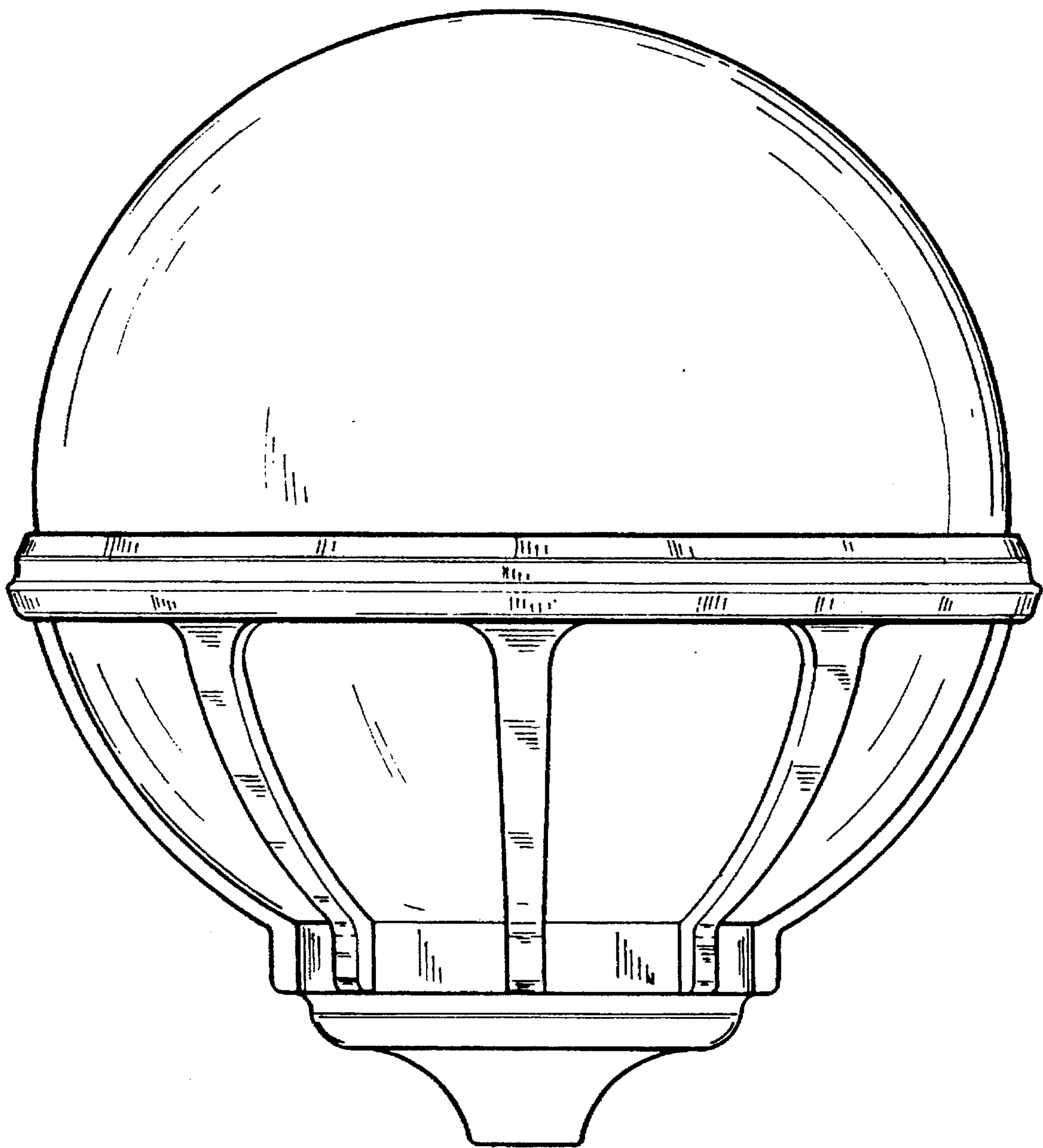


FIG 4

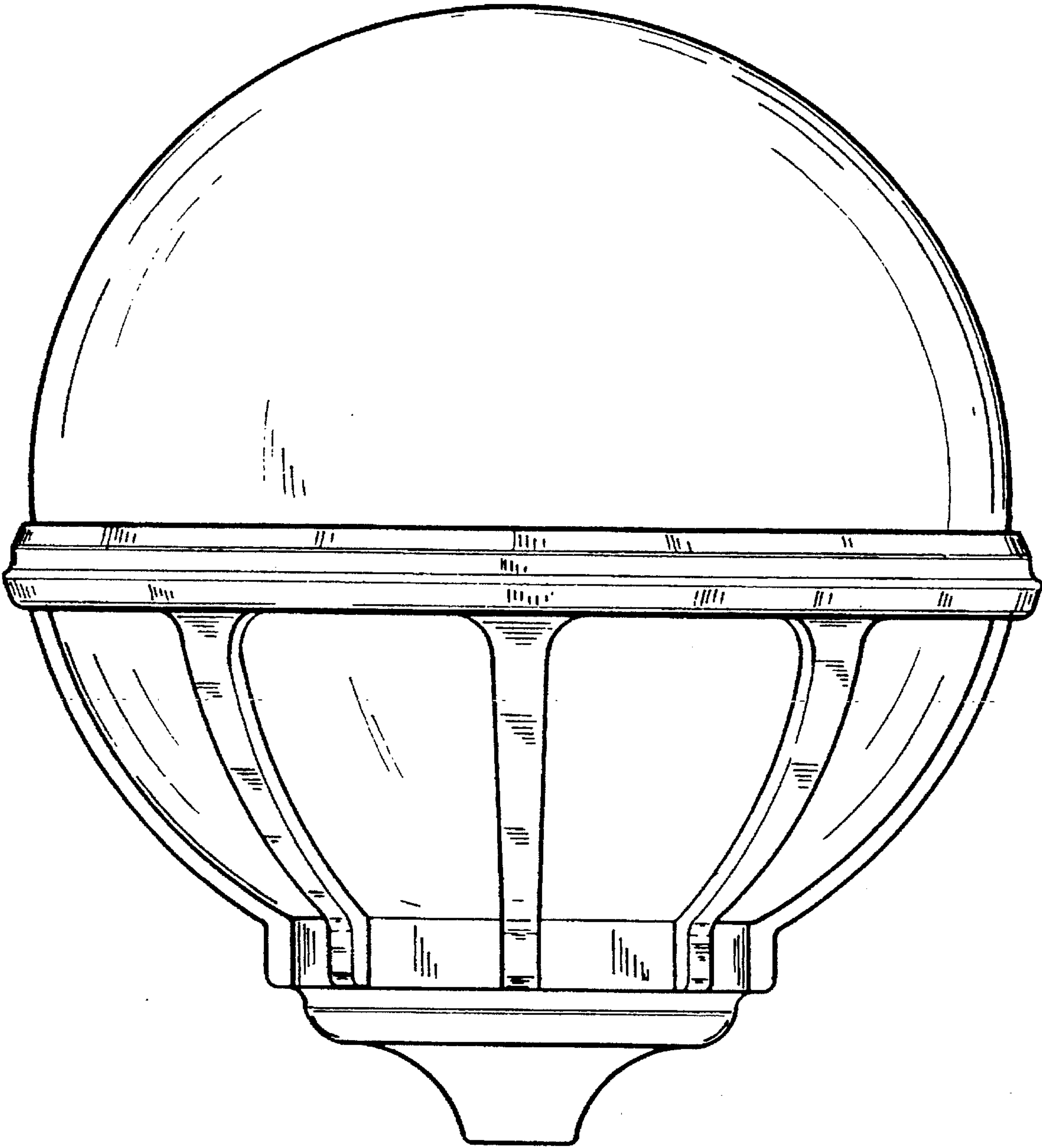


FIG 5

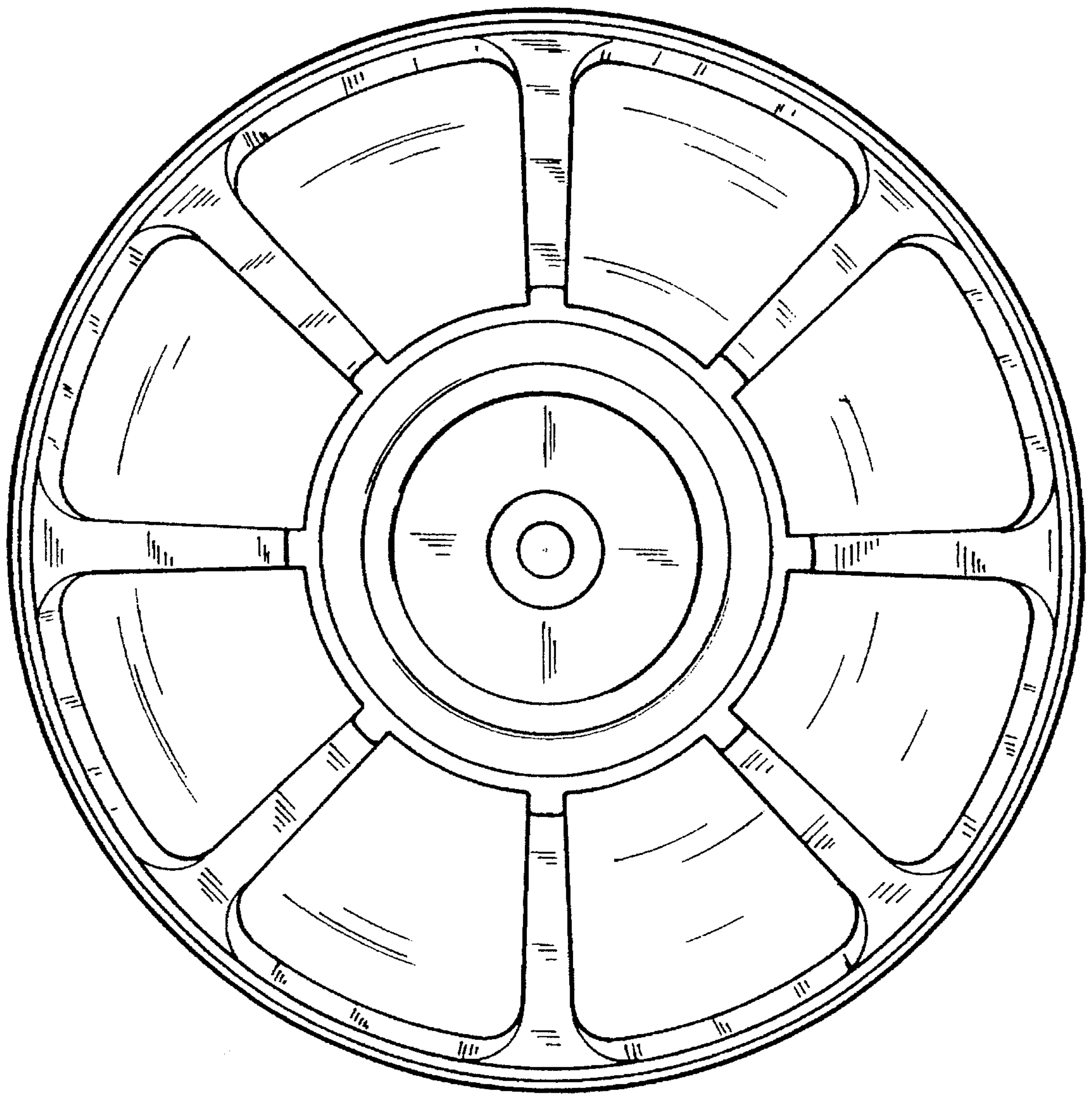


FIG 6

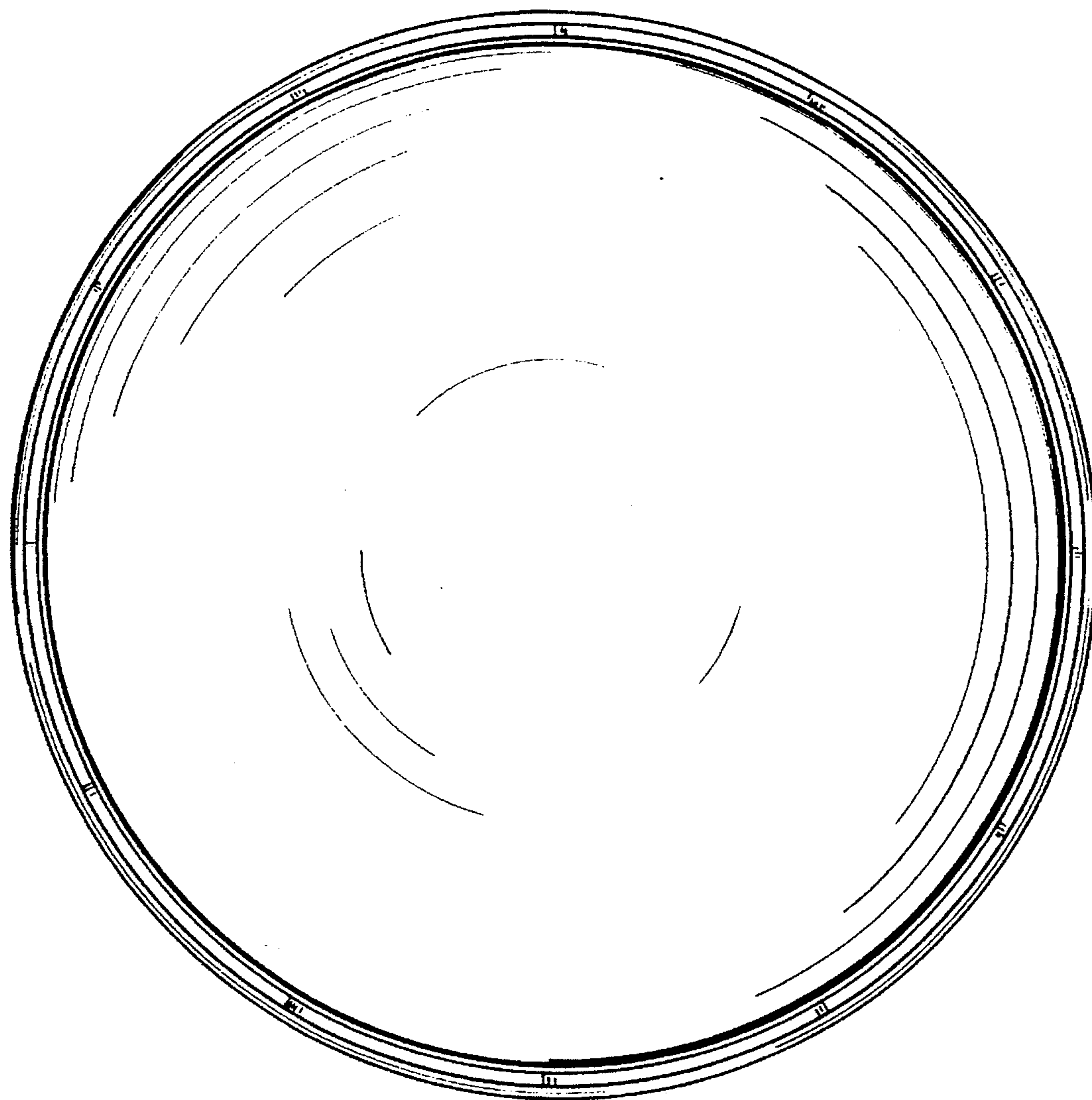


FIG 7

