



US00D370285S

United States Patent [19]

[11] Patent Number: **Des. 370,285**

Widdup

[45] Date of Patent: ****May 28, 1996**

[54] LAMP WITH CLOCK RADIO 2,070,088 2/1937 Montaruli 362/86

[76] Inventor: **Lisa M. Widdup**, 14 Longbourne Avenue, N. Clayton, Victoria 3168, Australia

Primary Examiner—Susan J. Lucas
Attorney, Agent, or Firm—H. Jay Spiegel

[**] Term: **14 Years**

[57] CLAIM

The ornamental design for a lamp with clock radio, as shown and described.

[21] Appl. No.: **30,128**

DESCRIPTION

[22] Filed: **Nov. 3, 1994**

[52] U.S. Cl. **D26/52; D10/5; D10/21; D14/168; D26/106**

FIG. 1 shows a front perspective view of my claimed design; FIG. 2 shows a rear perspective view of my claimed design; FIG. 3 shows a side view of my claimed design; FIG. 4 shows a view from the other side of my claimed design; FIG. 5 shows a top view of my claimed design; and, FIG. 6 shows a bottom view of my claimed design. The broken lines are shown for illustrative purposes only and form no part of the claimed design.

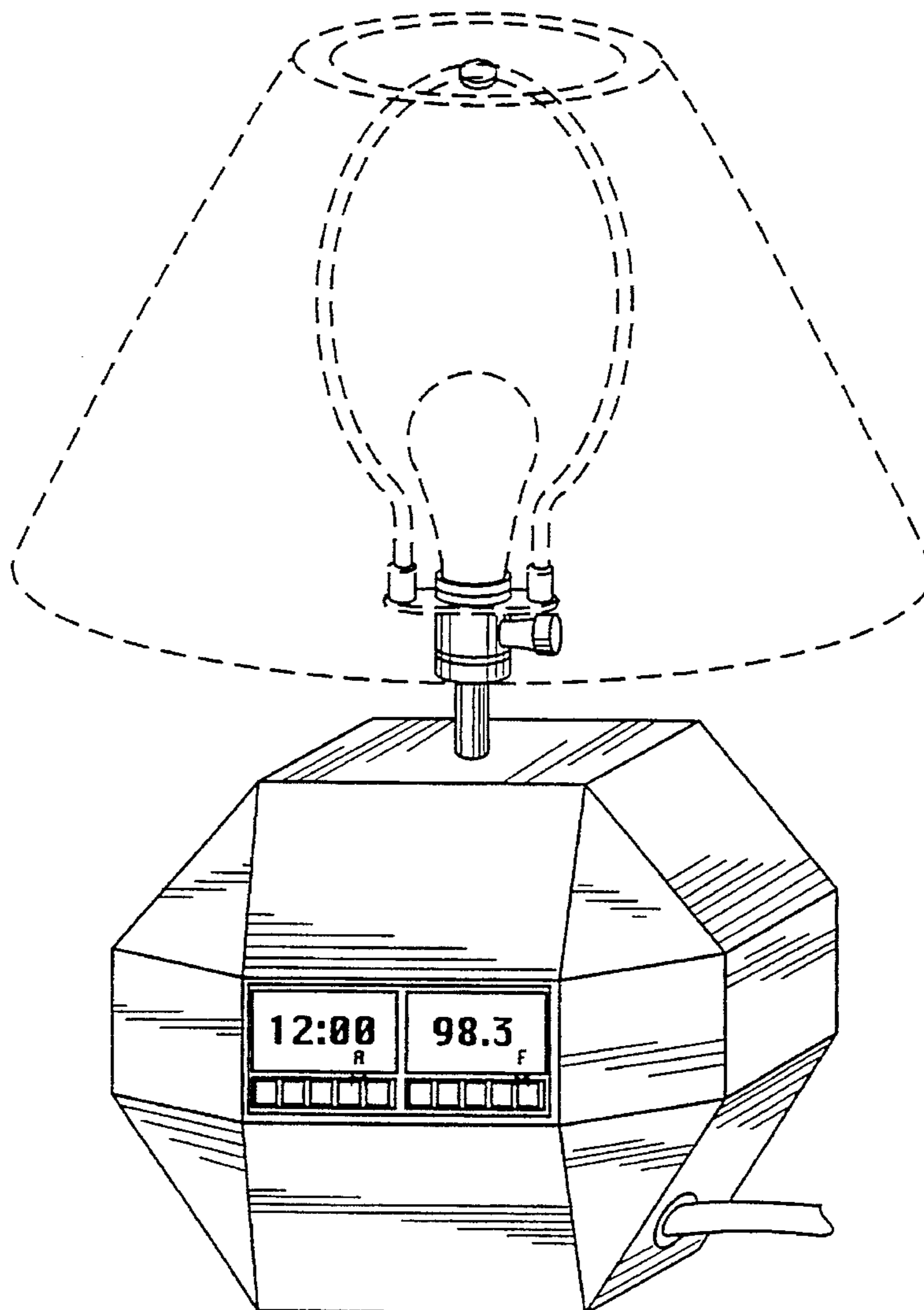
[58] Field of Search **D26/37-50, 52; D14/168; 362/86, 87; 455/344, 350, 351; D10/2, 5, 15, 21**

[56] References Cited

U.S. PATENT DOCUMENTS

- D. 75,569 6/1928 Kollman D10/5
- D. 149,022 3/1948 Robinson, Jr. D26/52
- D. 198,390 6/1964 Meccariello D26/52

1 Claim, 3 Drawing Sheets



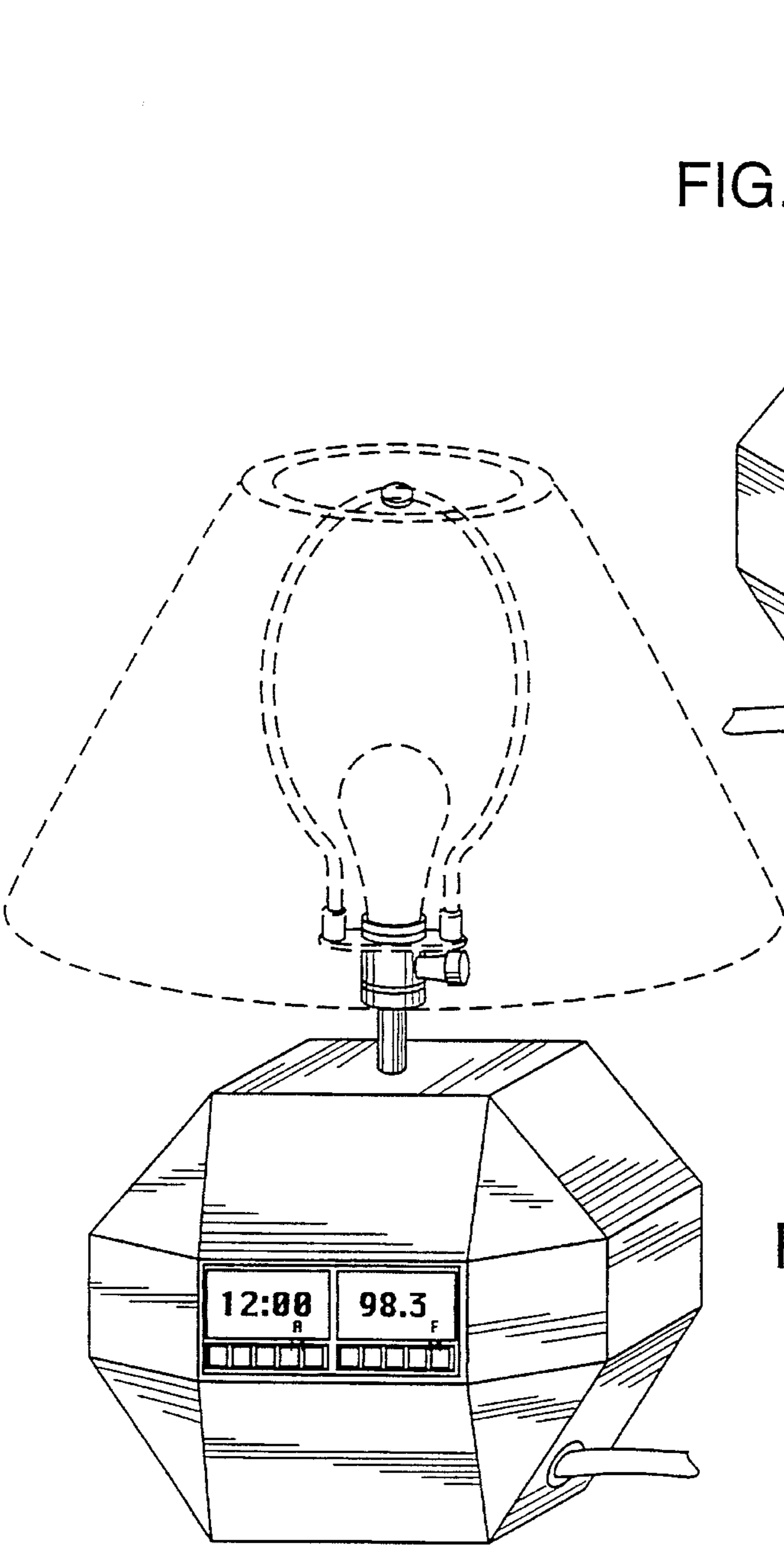


FIG. 1

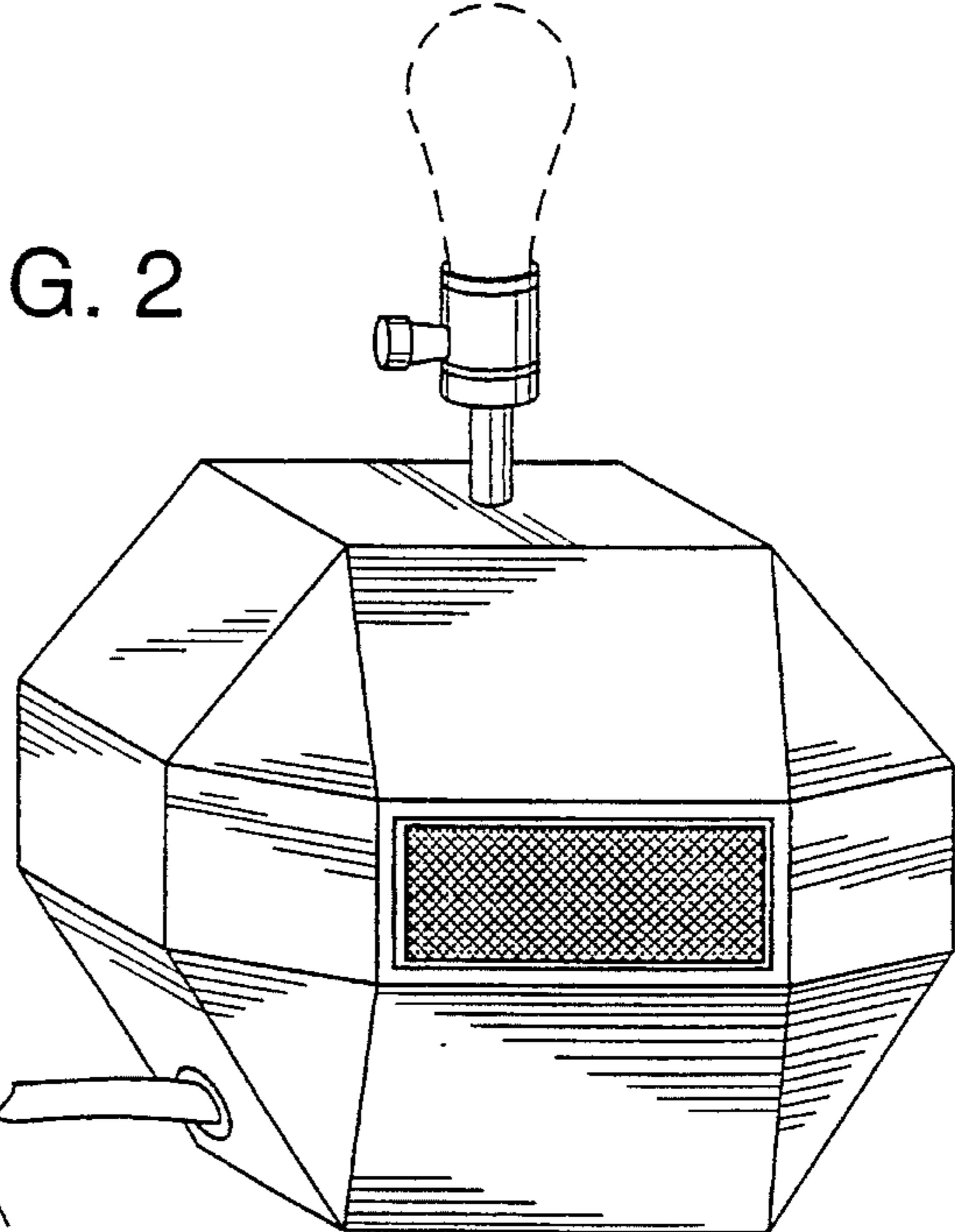


FIG. 2

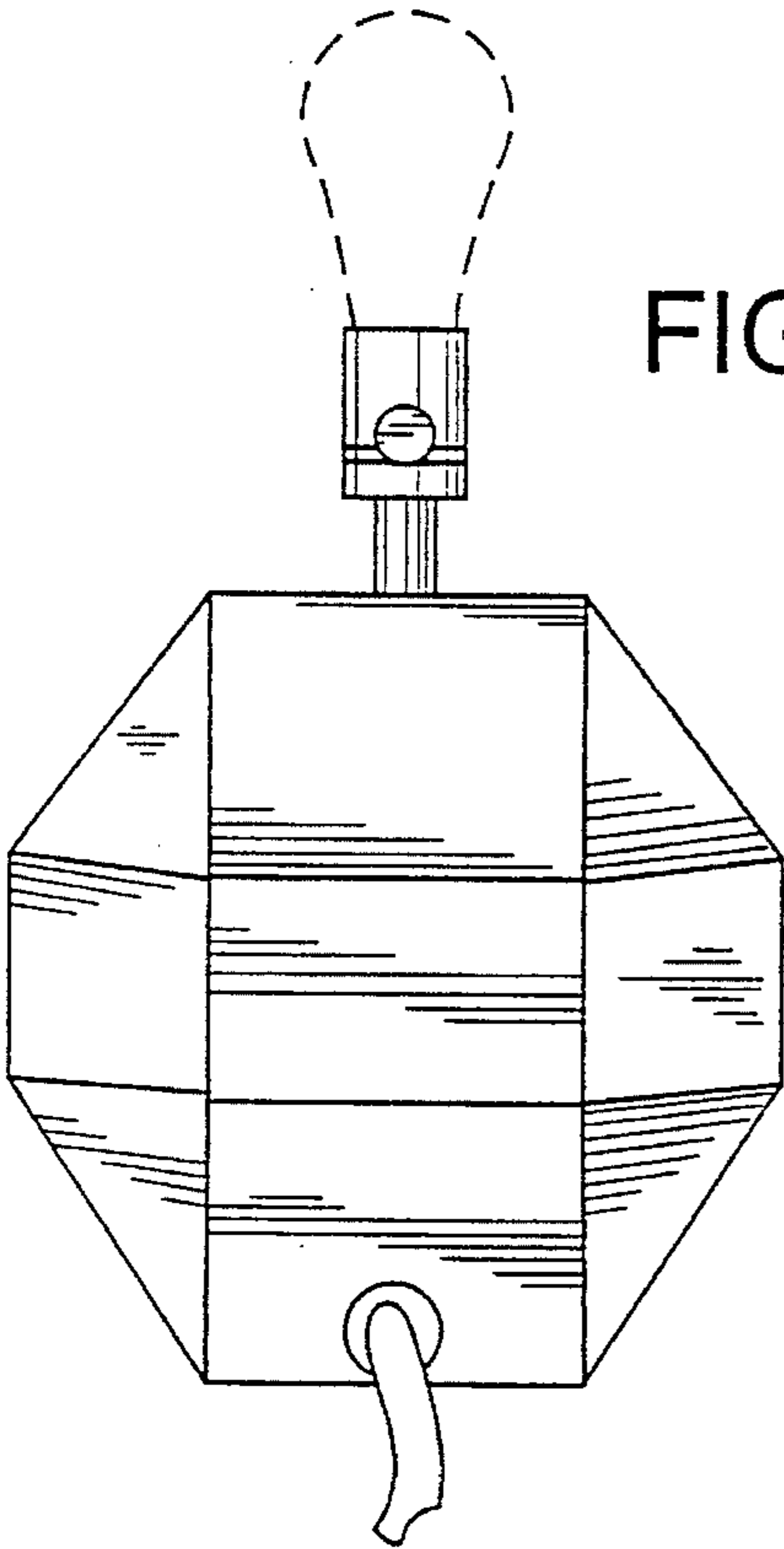


FIG. 3

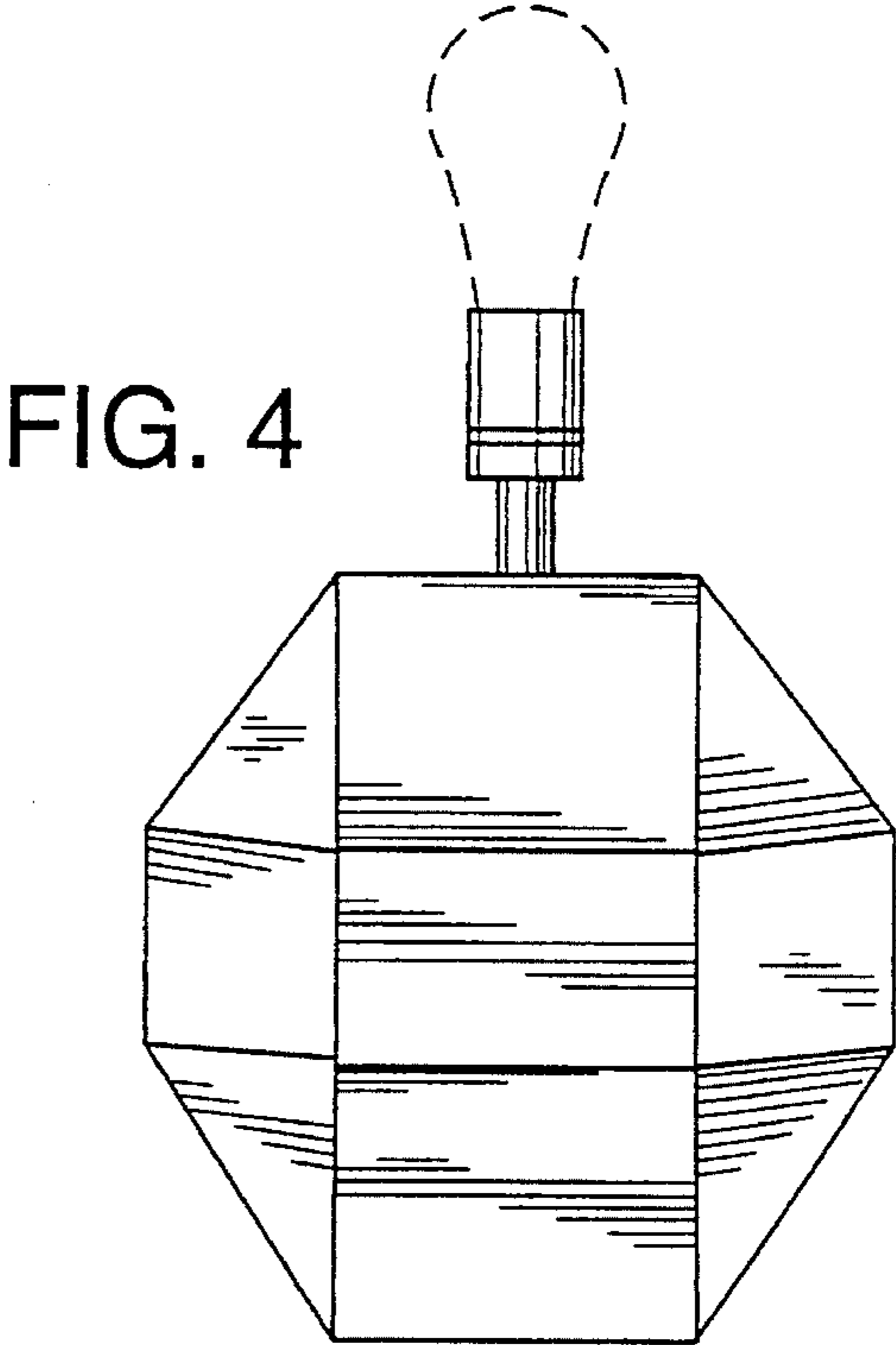


FIG. 4

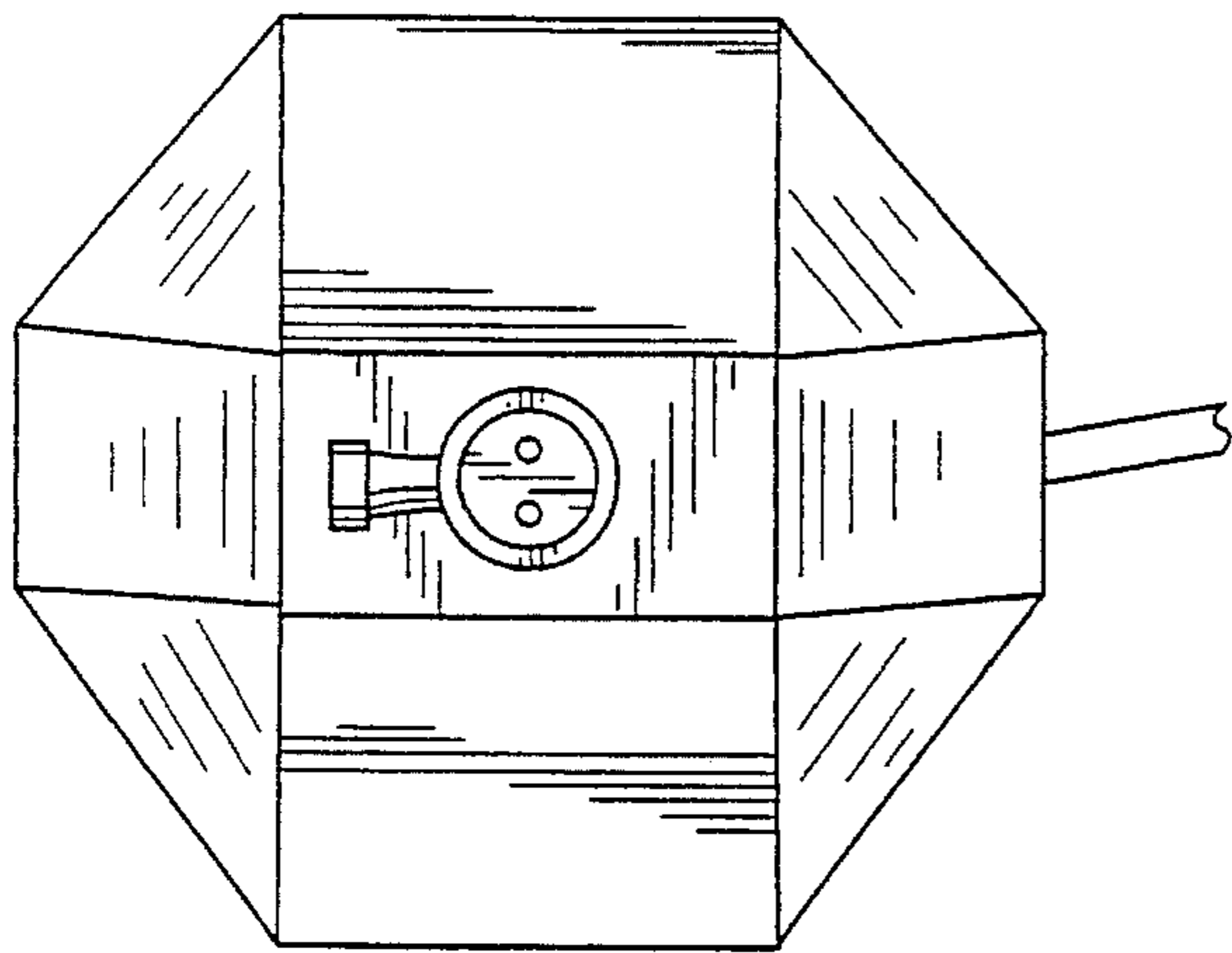


FIG. 5

FIG. 6

