



US00D370282S

United States Patent [19]
Grether

[11] **Patent Number: Des. 370,282**

[45] **Date of Patent: **May 28, 1996**

[54] **DECORATIVE LIGHT**

D. 338,315 8/1993 Larson D99/27
D. 356,167 3/1995 Bohannon D26/4

[76] Inventor: **Connie L. Grether**, W. 905 Myrtle St.,
Genoa City, Wis. 53128

Primary Examiner—Marcus A. Jackson
Attorney, Agent, or Firm—James A. Hudak

[**] Term: **14 Years**

[57] **CLAIM**

[21] Appl. No.: **38,560**

The ornamental design for a decorative light, as shown and described.

[22] Filed: **May 8, 1995**

[52] U.S. Cl. **D26/4; D99/27; D11/122**

DESCRIPTION

[58] **Field of Search** D26/1, 2, 3, 4,
D26/94-101; 313/315, 317, 318, 115, 116;
362/806, 808; D99/27; D11/121, 130, 124,
125, 122, 157

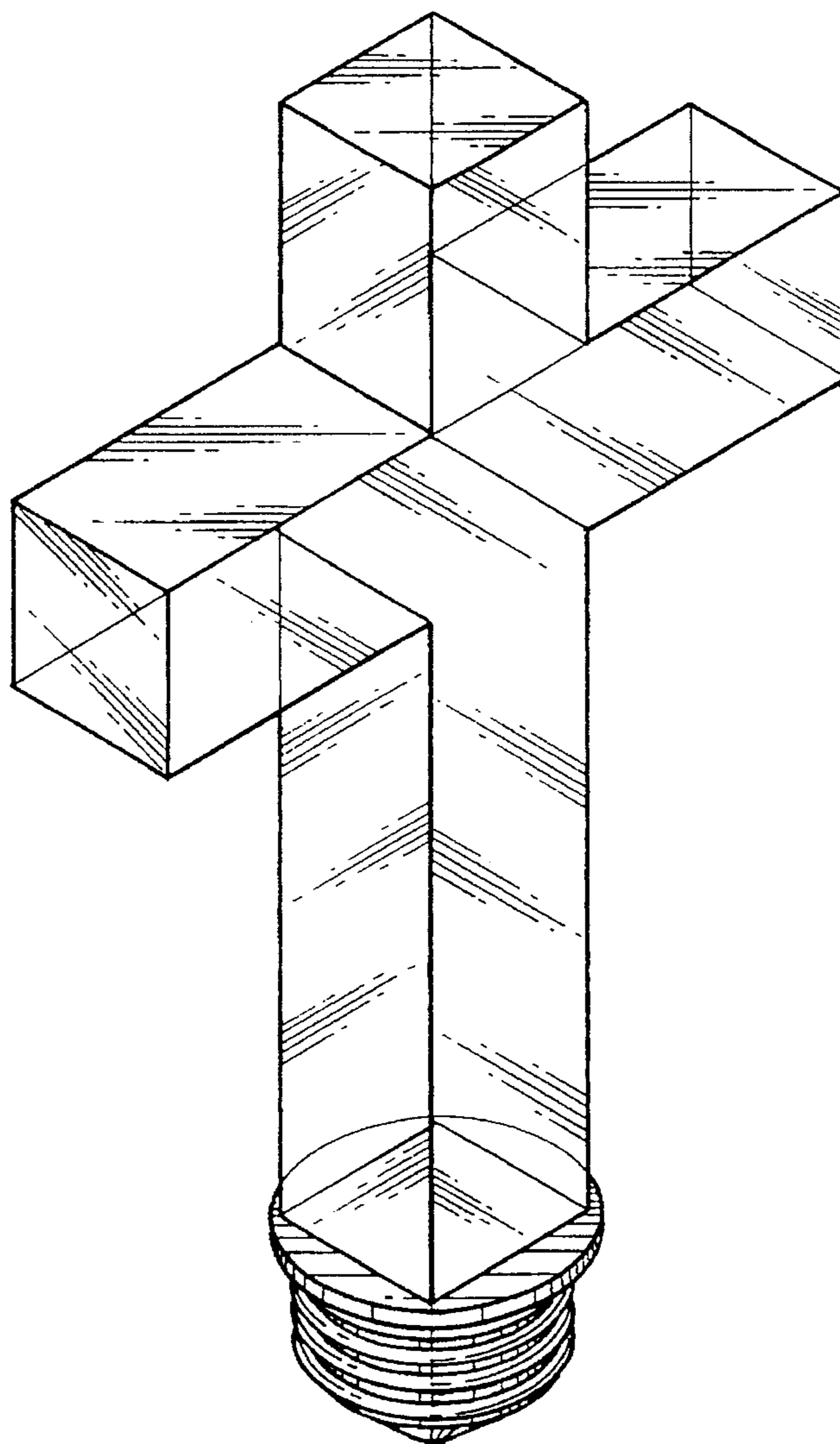
FIG. 1 is a perspective view of the decorative light showing my new design;
FIG. 2 is a left side elevational view thereof, the right side elevational view being a mirror image of the view shown in this Figure;
FIG. 3 is a front elevational view thereof, the rear elevational view being a mirror image of the view shown in this Figure;
FIG. 4 is a top plan view thereof; and,
FIG. 5 is a bottom plan view thereof.

[56] **References Cited**

U.S. PATENT DOCUMENTS

D. 86,245 12/1931 Lehmann .
D. 94,889 1/1935 Graf .
D. 121,522 7/1940 Petry .
D. 300,079 2/1989 Smith D99/27
D. 310,422 9/1990 Shupe D26/4

1 Claim, 2 Drawing Sheets



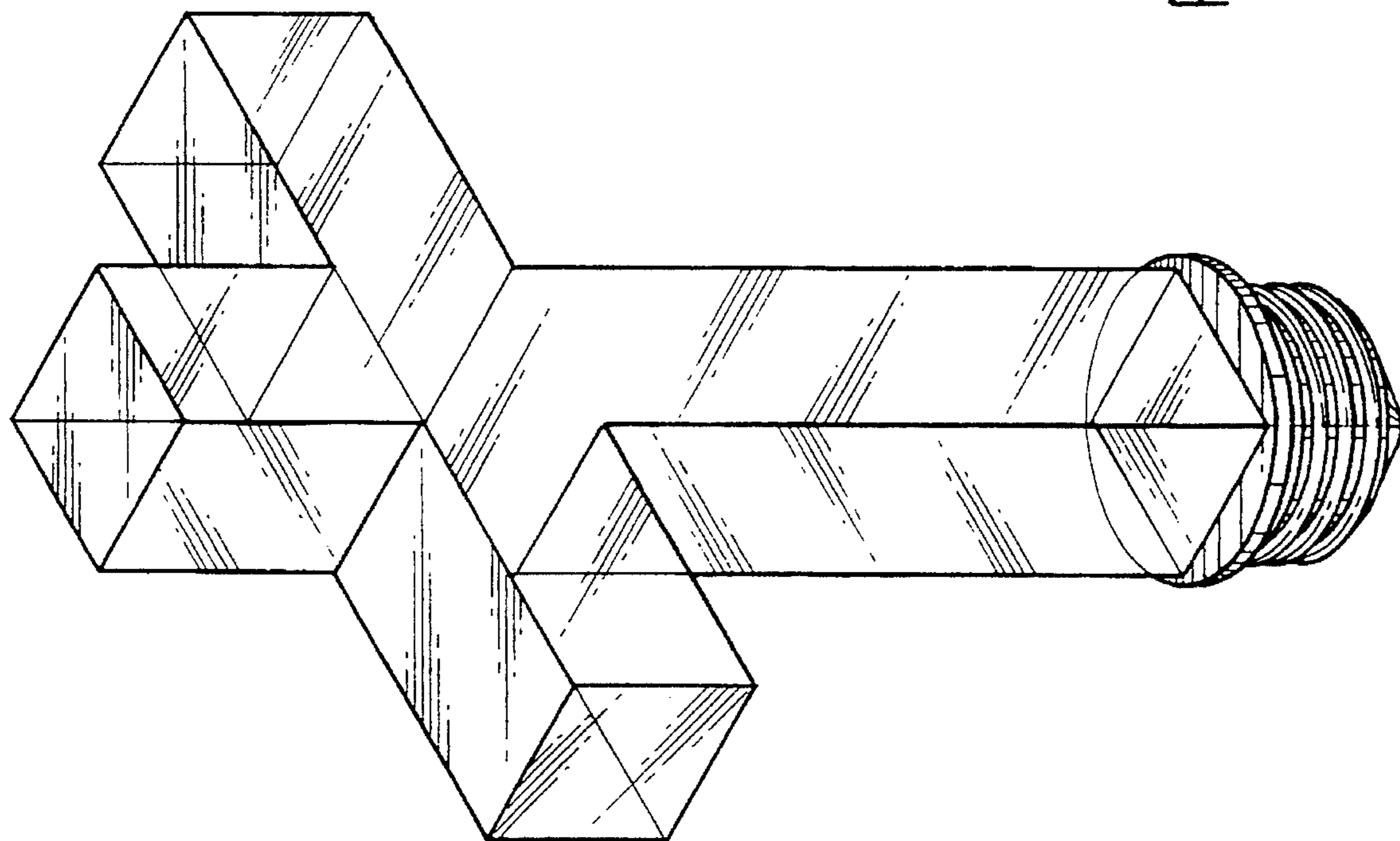


FIG. 1

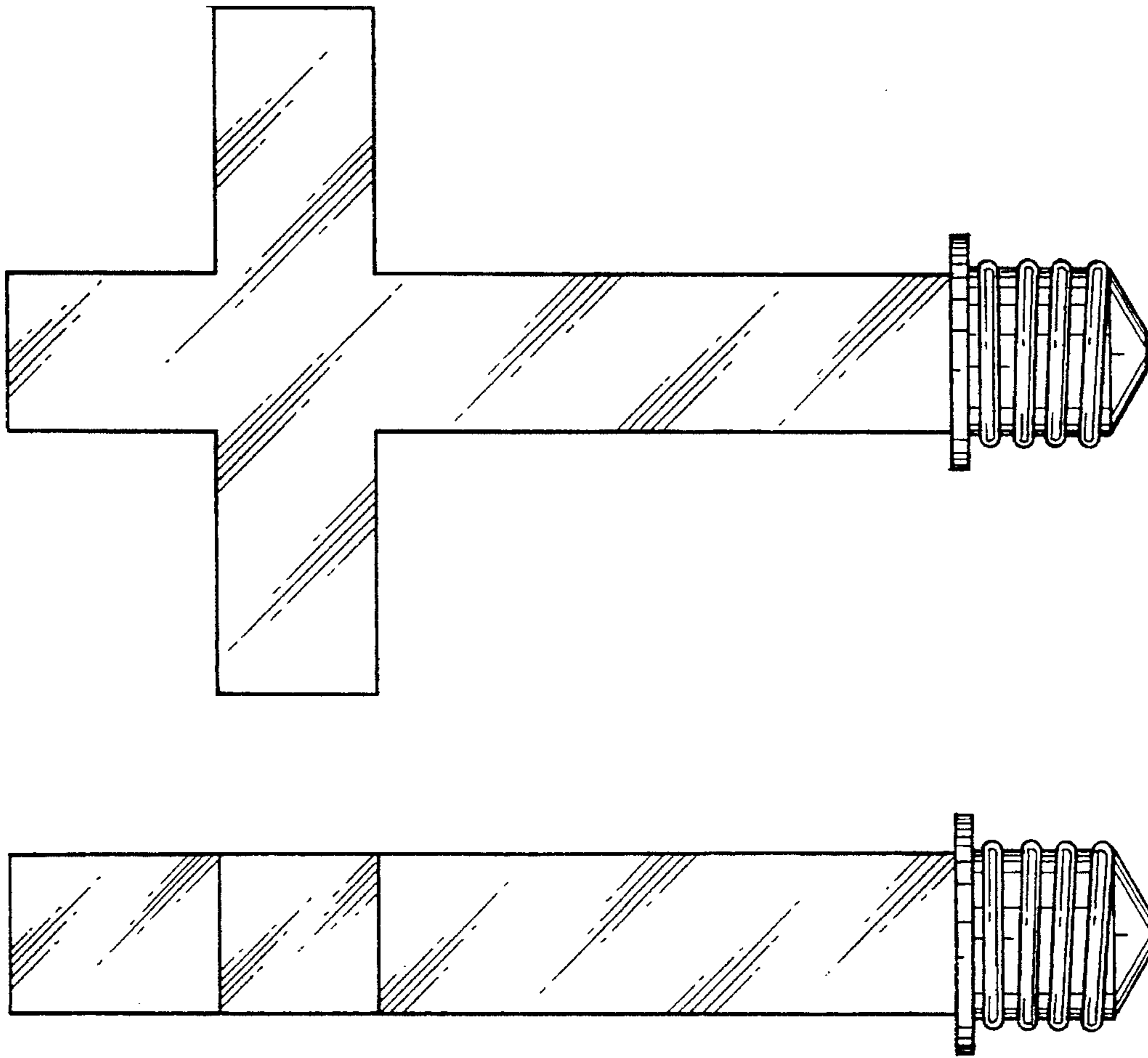


FIG. 3

FIG. 2

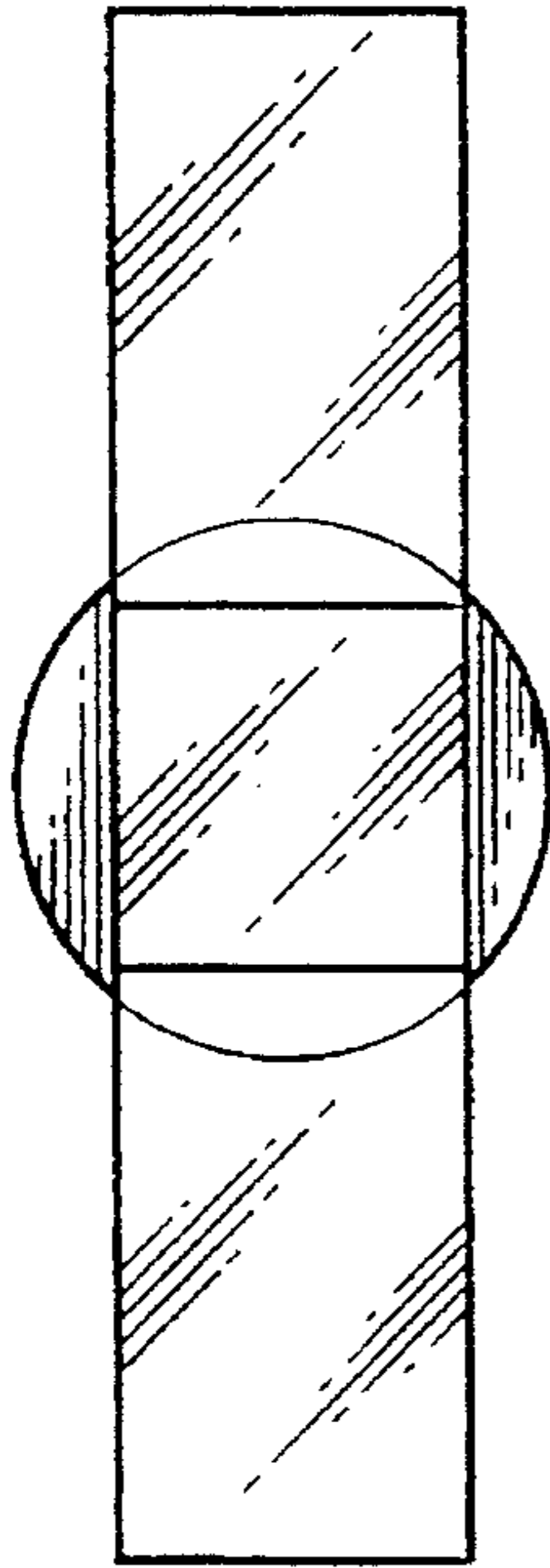


FIG. 4

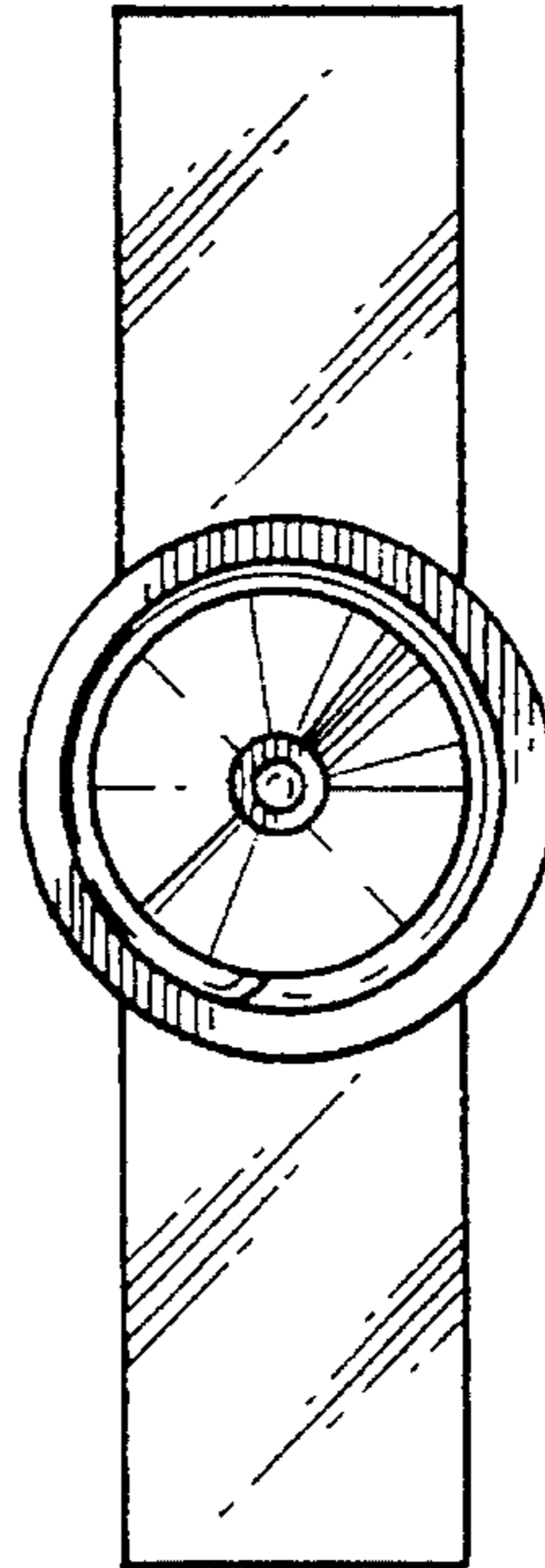


FIG. 5