



US00D370281S

United States Patent [19]

Johnstone et al.

[11] Patent Number: **Des. 370,281**

[45] Date of Patent: ****May 28, 1996**

[54] FLEXIBLE LIGHT

[75] Inventors: **Scott Johnstone**, Pleasant Valley;
Patrick B. Nolan, Westport; **David W. Kaiser**, North Haven; **Daniel Haberstick**, Rocky Hill, all of Conn.

[73] Assignee: **Black & Decker Inc.**, Newark, Del.

[**] Term: **14 Years**

[21] Appl. No.: **36,053**

[22] Filed: **Mar. 13, 1995**

[52] U.S. Cl. **D26/43**

[58] Field of Search D26/37, 43, 44,
D26/46, 49, 60, 62; 362/157, 158, 184,
188, 189, 191, 198, 199, 200, 362

[56] **References Cited**

U.S. PATENT DOCUMENTS

D. 314,246 1/1991 Bache D26/62
D. 320,463 10/1991 Petterson et al. D26/46 X

D. 337,839 7/1993 Zeller D26/43
1,692,394 11/1928 Sundh 362/198
3,111,277 11/1963 Grimsley D26/43 X
5,385,500 1/1995 Schmidt 362/198 X

Primary Examiner—Susan J. Lucas
Attorney, Agent, or Firm—Barry E. Deutsch

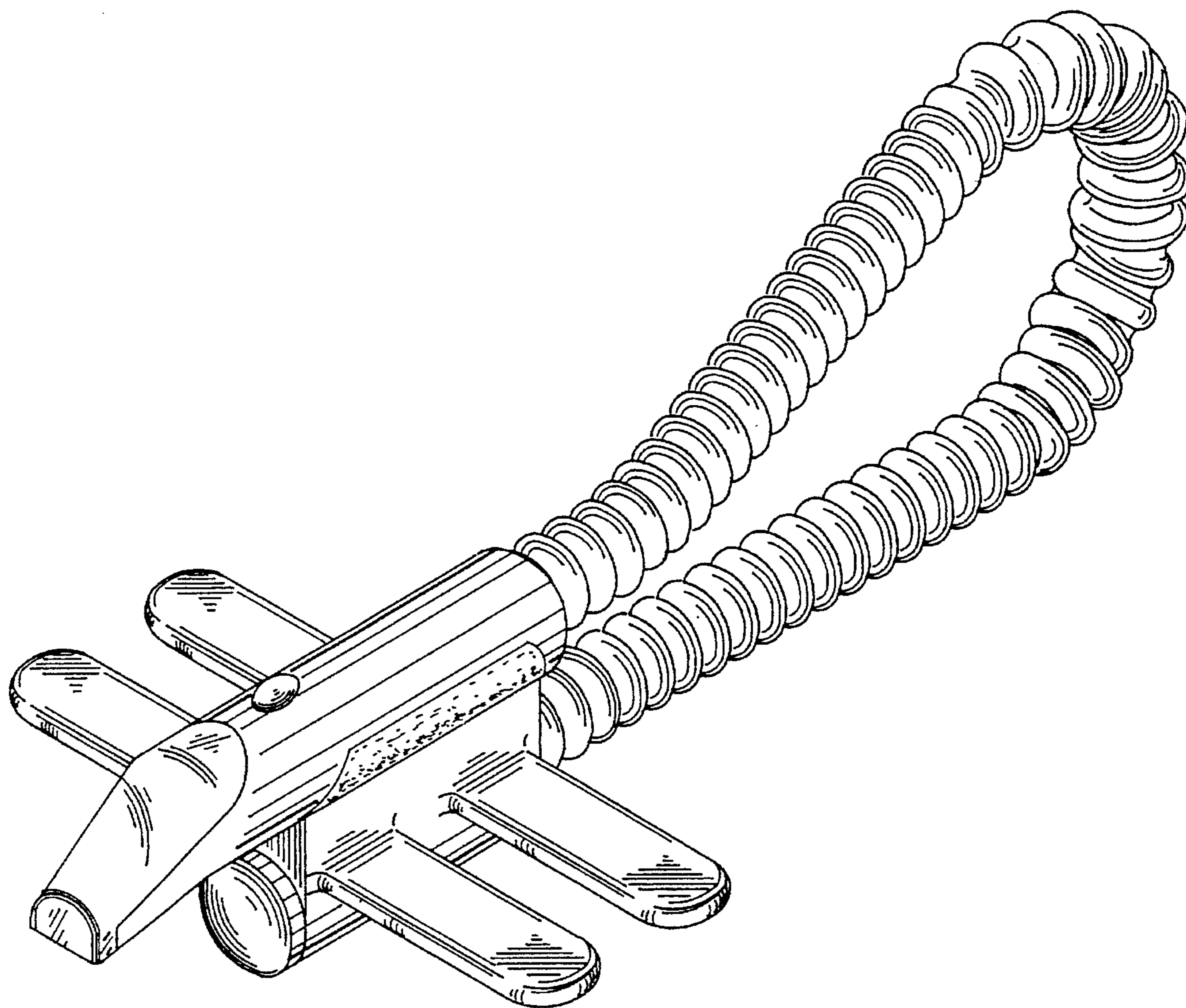
[57] **CLAIM**

The ornamental design for a flexible light, as shown and described.

DESCRIPTION

FIG. 1 is a perspective view taken from the front, top and right side showing our new design;
FIG. 2 is a right side elevational view thereof;
FIG. 3 is a left side elevational view thereof;
FIG. 4 is a front elevational view thereof;
FIG. 5 is a rear elevational view thereof;
FIG. 6 is a top plan view thereof; and,
FIG. 7 is a bottom plan view thereof.

1 Claim, 5 Drawing Sheets



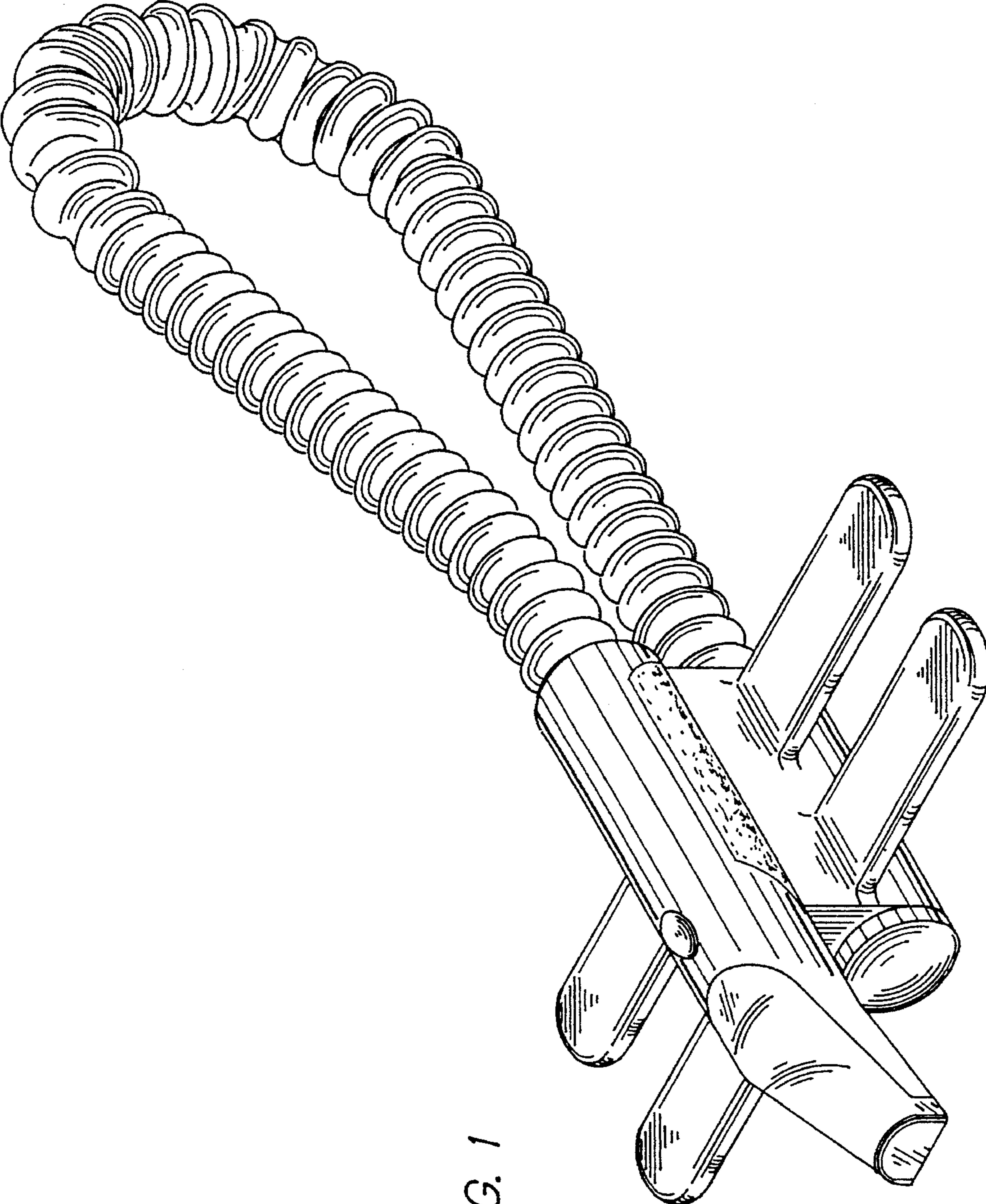


FIG. 1

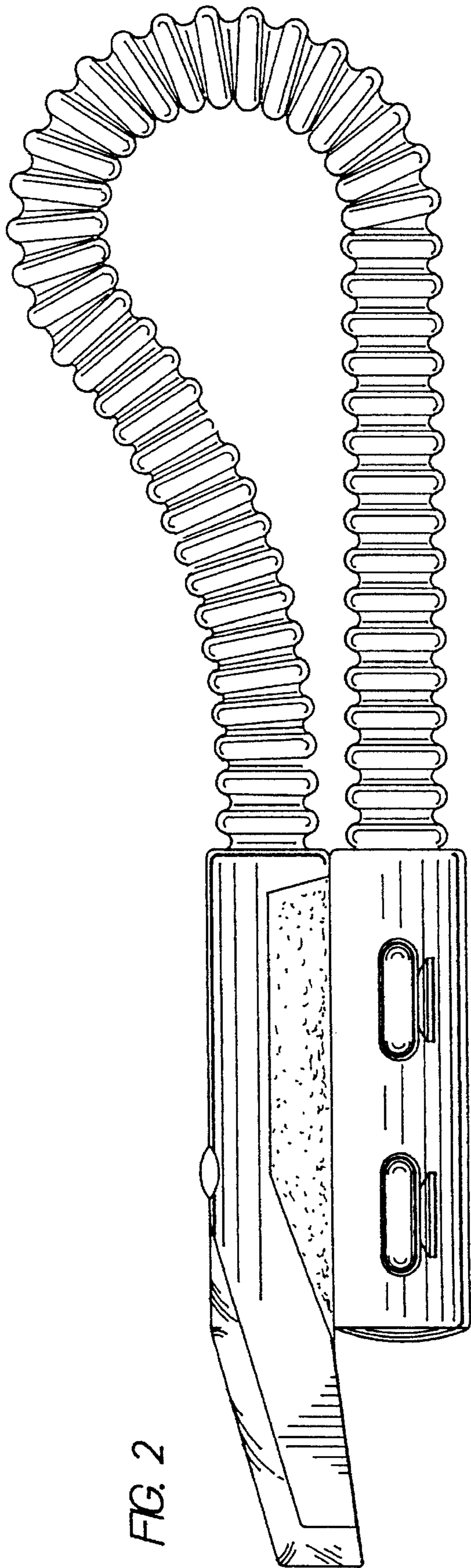


FIG. 2

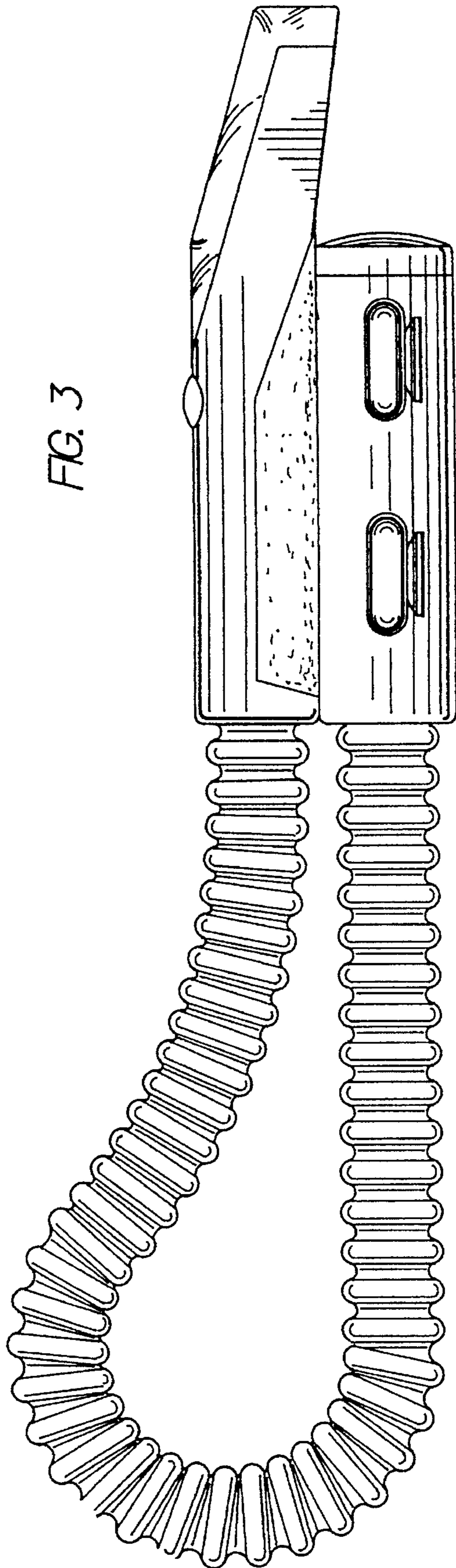


FIG. 3

FIG. 4

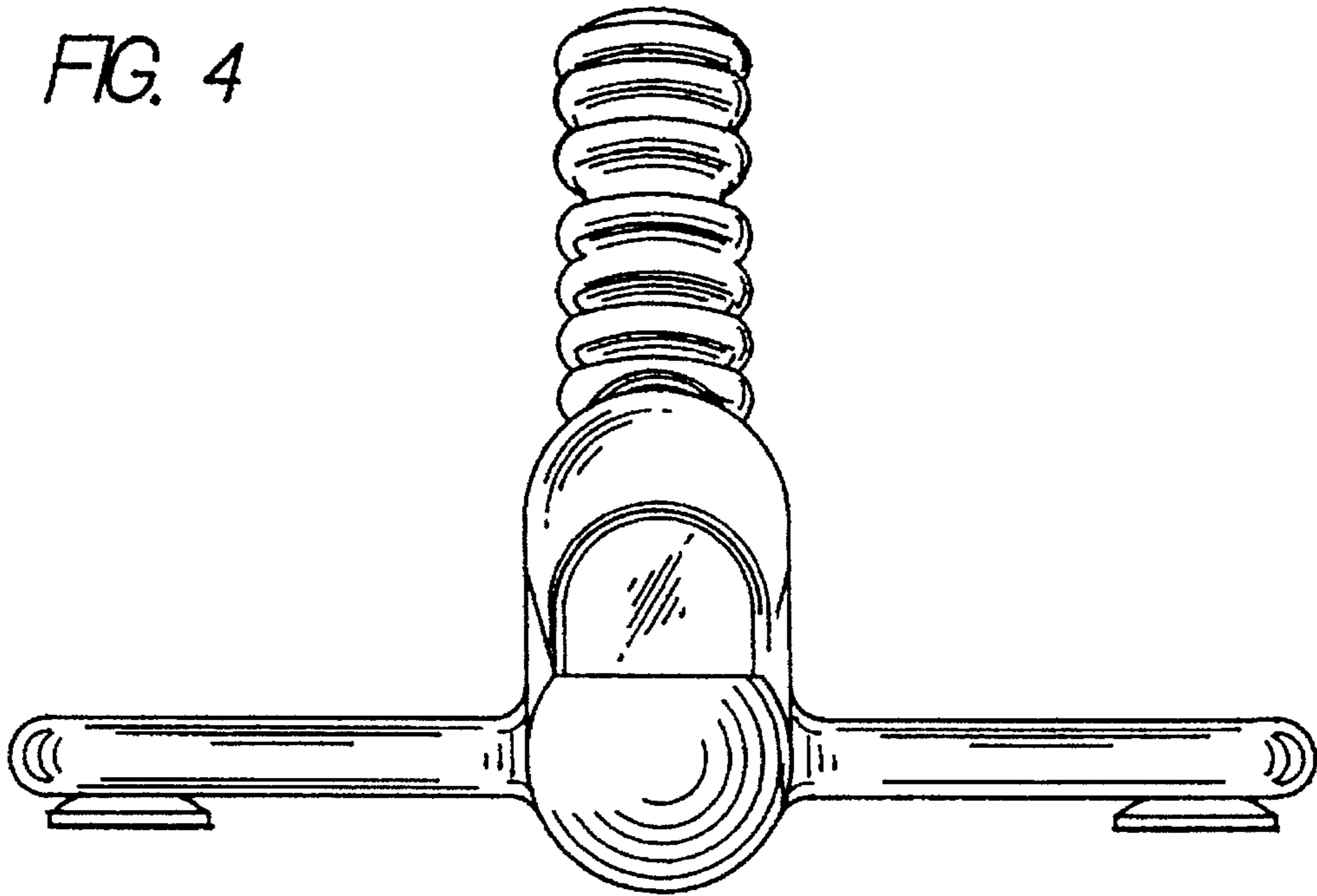
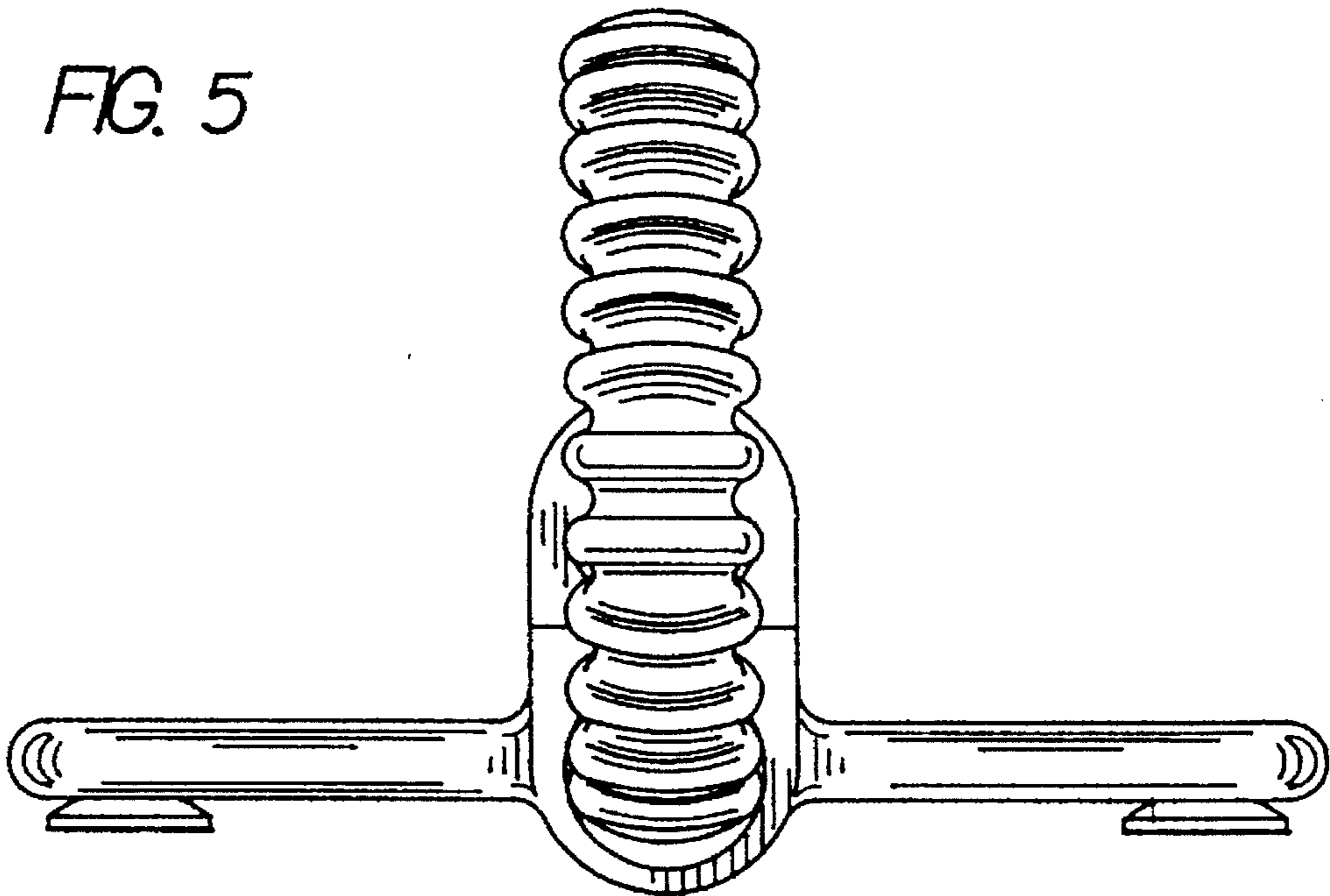


FIG. 5



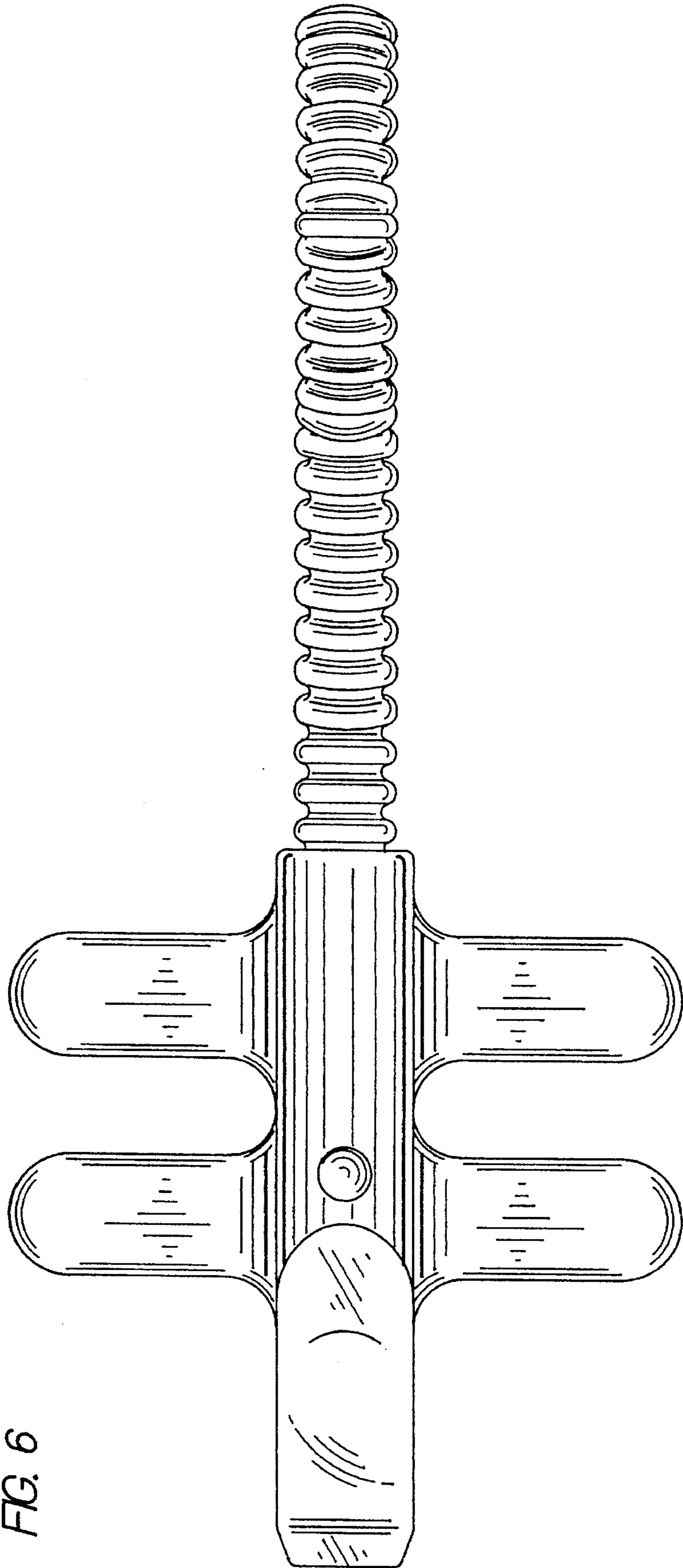


FIG. 6

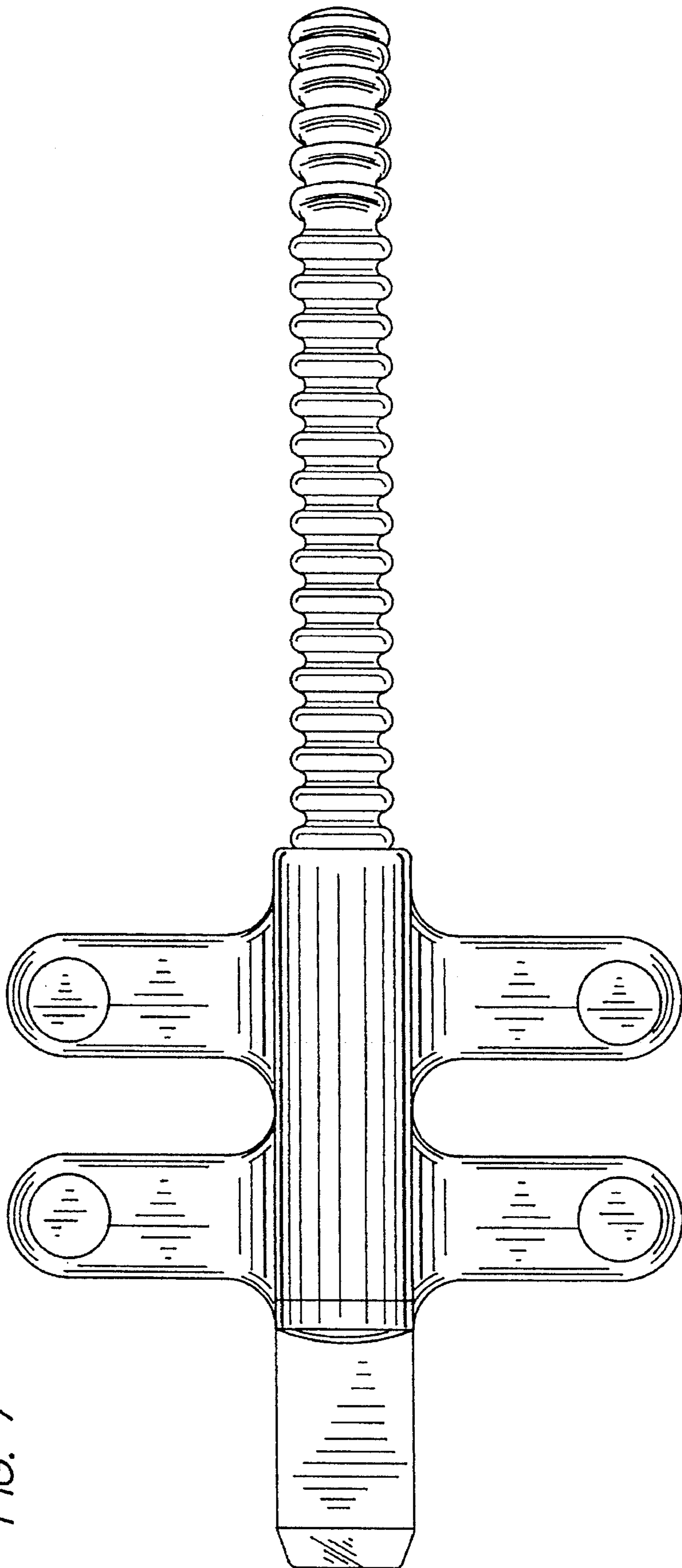


FIG. 7