



US00D370280S

# United States Patent [19]

Kaiser

[11] Patent Number: **Des. 370,280**

[45] Date of Patent: **\*\*May 28, 1996**

[54] **FLEXIBLE FLASHLIGHT**

[75] Inventor: **David W. Kaiser**, North Haven, Conn.

[73] Assignee: **Black & Decker Inc.**, Newark, Del.

[\*\*] Term: **14 Years**

[21] Appl. No.: **36,050**

[22] Filed: **Mar. 13, 1995**

[52] U.S. Cl. .... **D26/43**

[58] Field of Search ..... D26/37, 43, 44,  
D26/46, 49, 60, 62; 362/157, 158, 184,  
188, 189, 191, 198, 199, 200, 396

3,111,277 11/1963 Grimsley ..... D26/43 X  
 4,870,550 9/1989 Uke ..... 362/158  
 5,385,500 1/1995 Schmidt ..... 362/189 X

*Primary Examiner*—Susan J. Lucas  
*Attorney, Agent, or Firm*—Barry E. Deutsch

### [57] CLAIM

The ornamental design for a flexible flashlight, as shown and described.

### DESCRIPTION

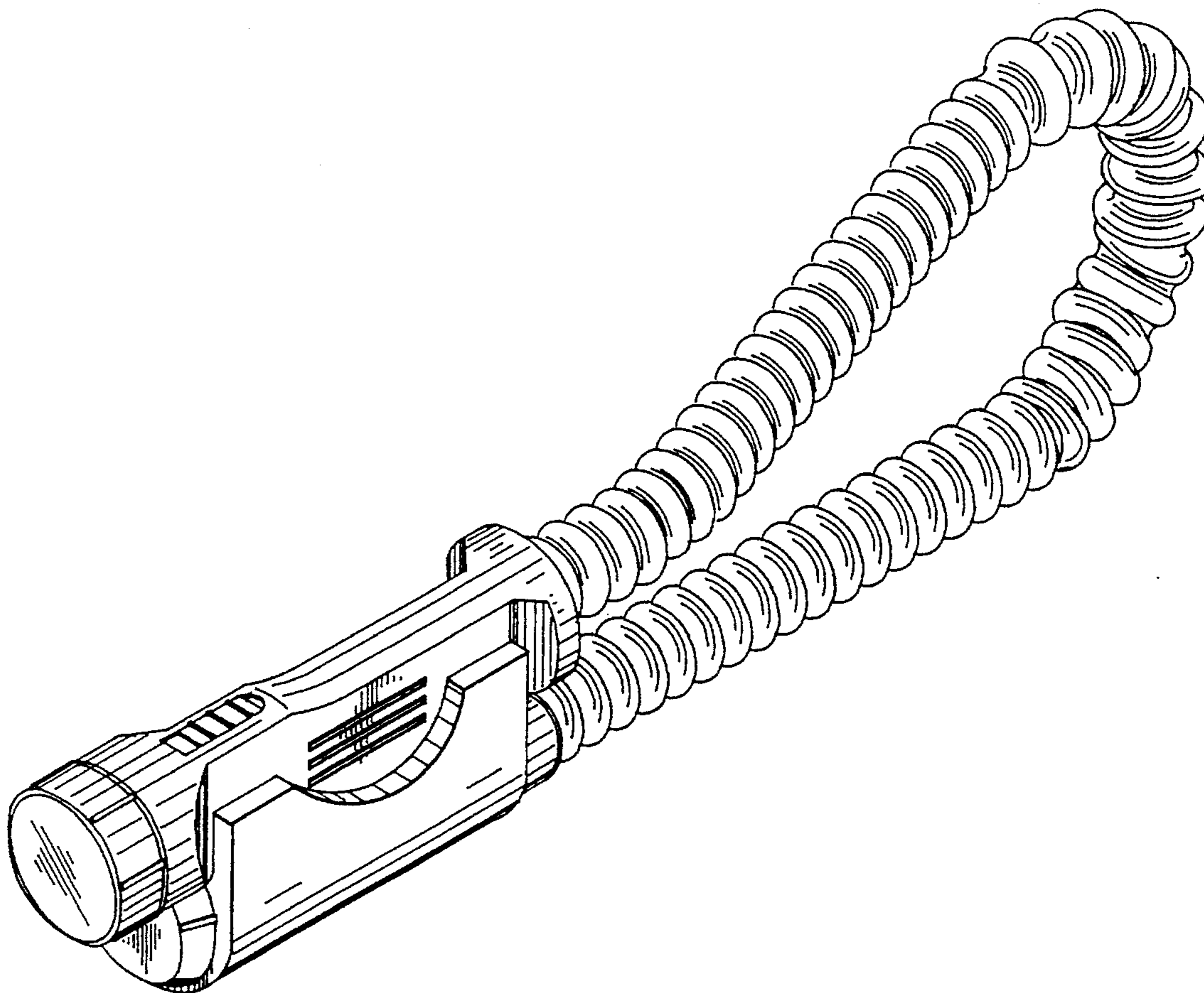
FIG. 1 is a perspective view taken from the front, top, and right side of a flexible flashlight showing my new design; FIG. 2 is a right side elevational view thereof; FIG. 3 is a left side elevational view thereof; FIG. 4 is a front elevational view thereof; FIG. 5 is a rear elevational view thereof; FIG. 6 is a top plan view thereof; and, FIG. 7 is a bottom plan view thereof.

### [56] References Cited

#### U.S. PATENT DOCUMENTS

D. 311,593 10/1990 Fenne ..... D26/46  
 D. 314,246 1/1991 Bache ..... D26/62  
 D. 337,839 7/1993 Zeller ..... D26/43  
 1,692,394 11/1928 Sundh ..... 362/198

**1 Claim, 3 Drawing Sheets**



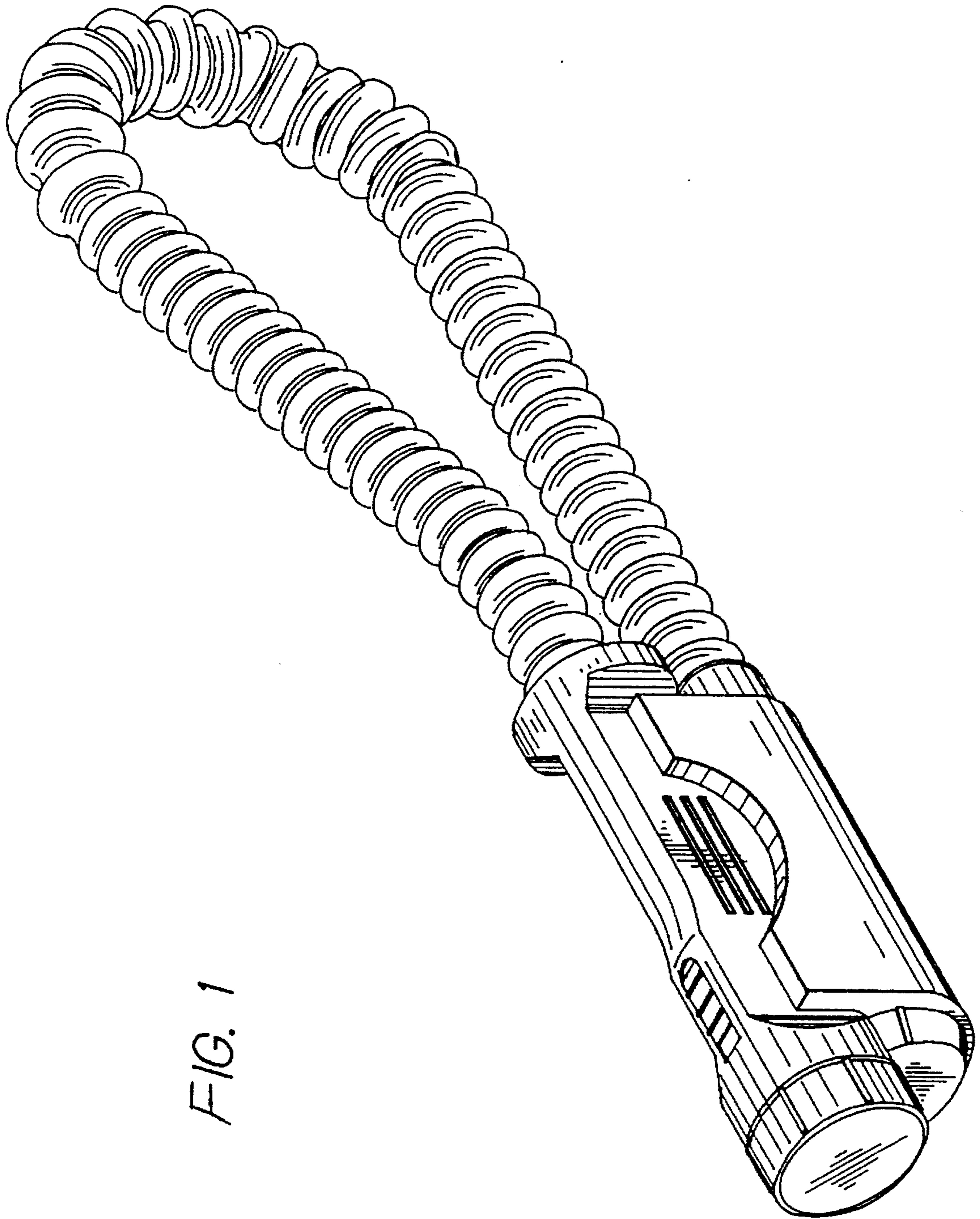
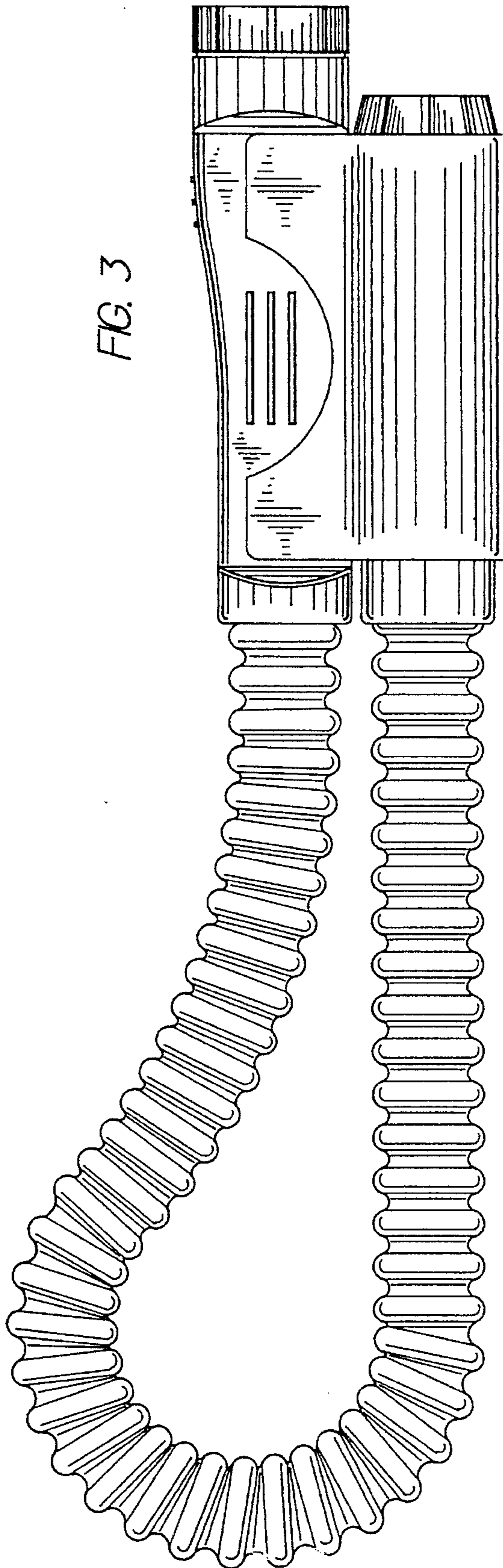
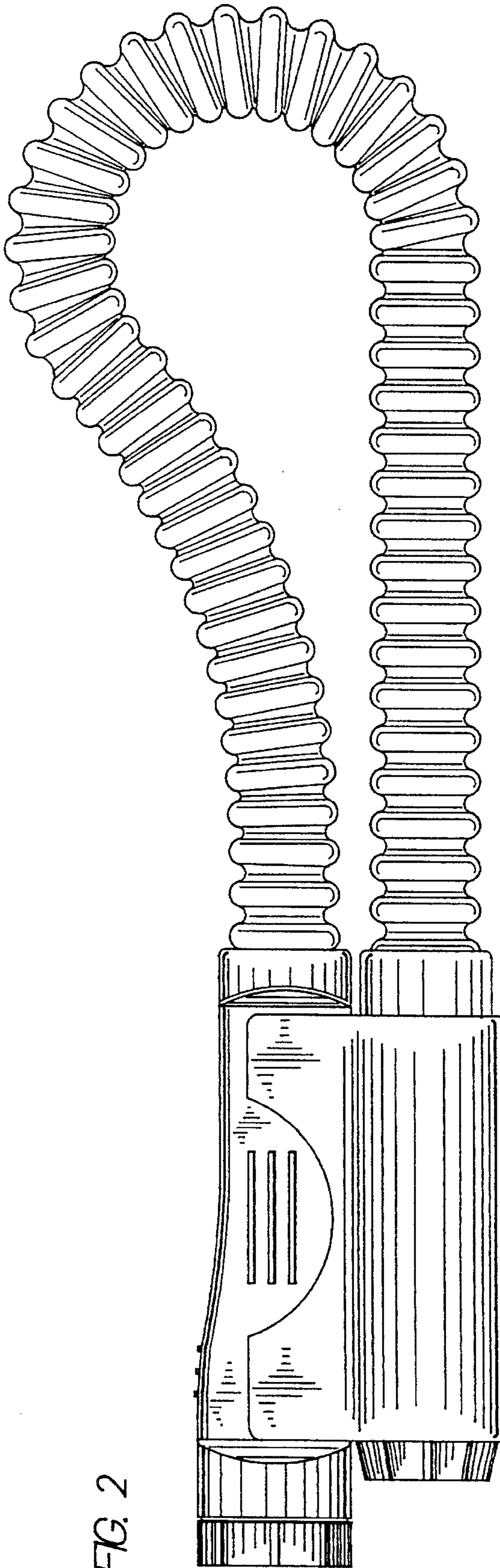


FIG. 1



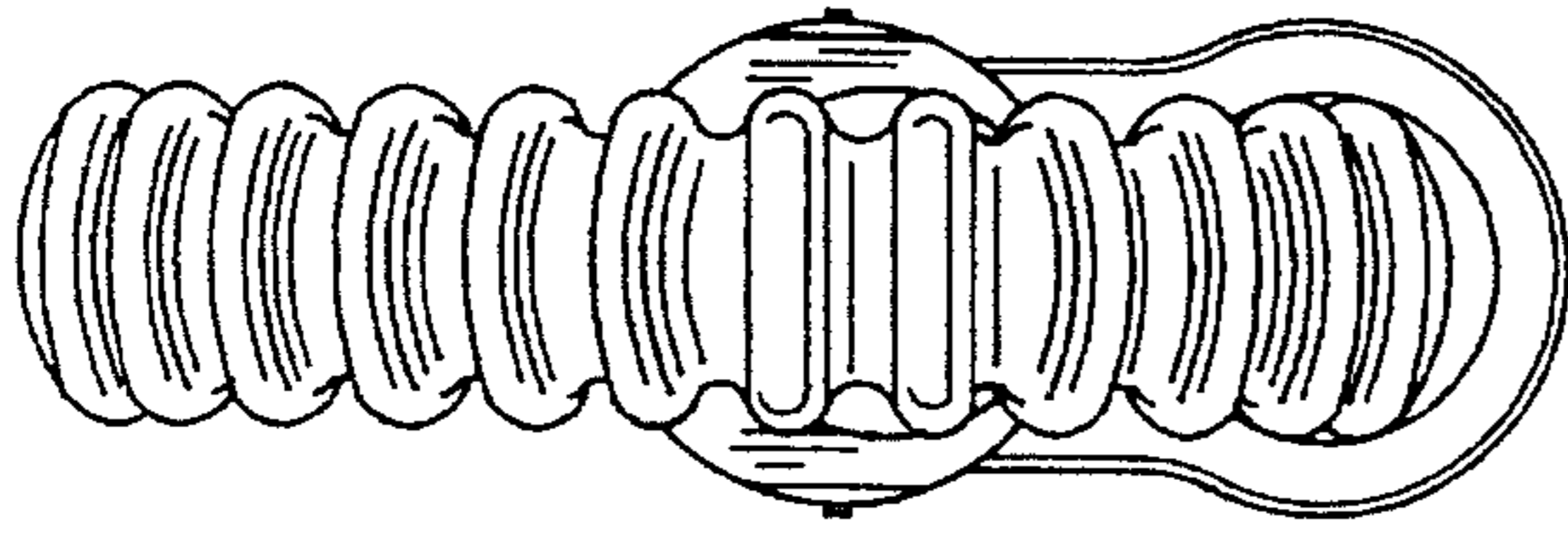


FIG. 5

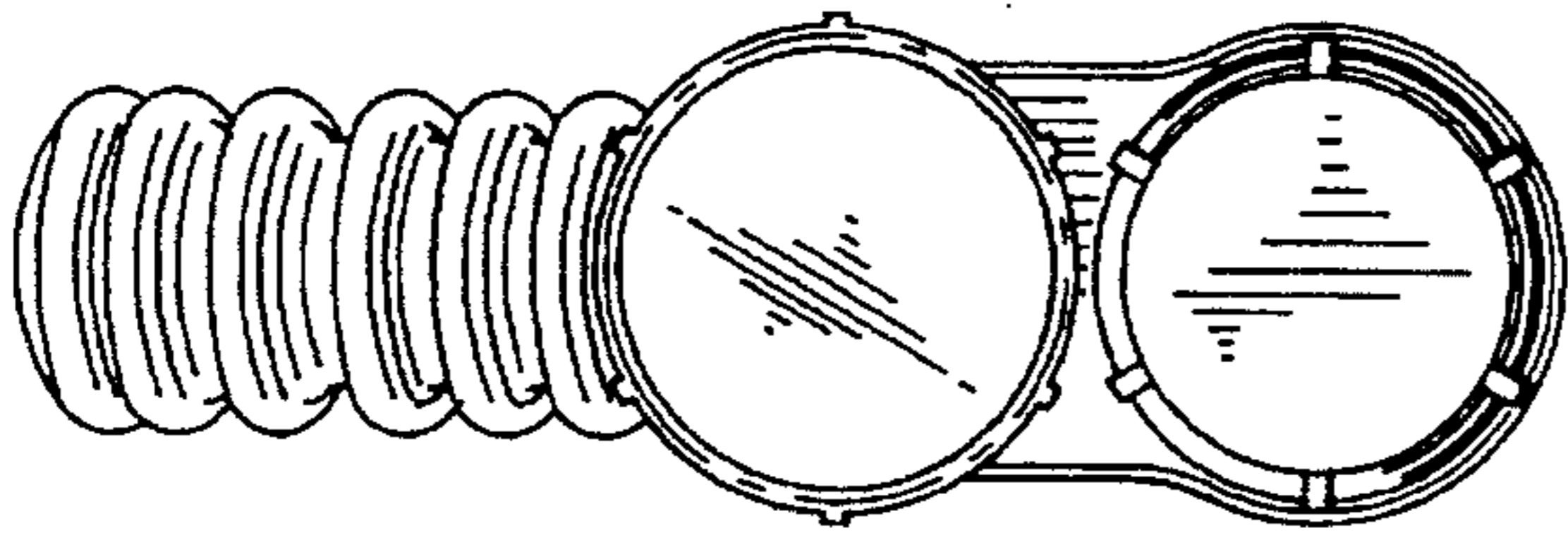


FIG. 4

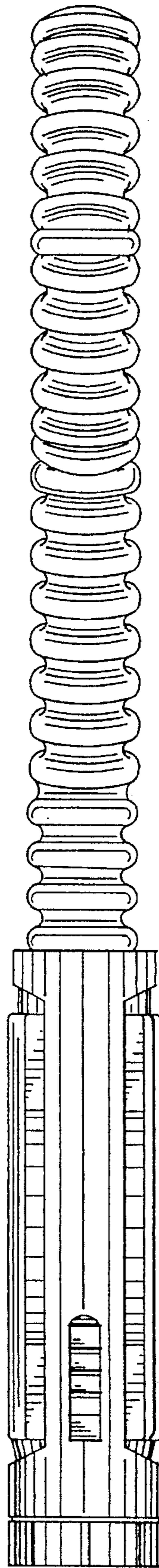


FIG. 6

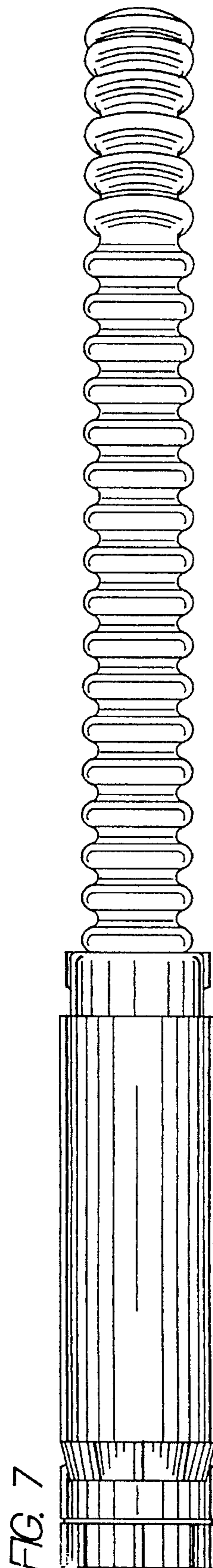


FIG. 7