



US00D370279S

United States Patent [19]
deBlois

[11] **Patent Number: Des. 370,279**

[45] **Date of Patent: **May 28, 1996**

[54] **FLUORESCENT FLASHLIGHT WITH FLEXIBLE HANDLE**

[75] Inventor: **Bryan P. deBlois**, West Haven, Conn.

[73] Assignee: **Black & Decker Inc.**, Newark, Del.

[**] Term: **14 Years**

[21] Appl. No.: **35,568**

[22] Filed: **Mar. 2, 1995**

[52] U.S. Cl. **D26/43**

[58] Field of Search D26/37, 43, 44,
D26/46, 49, 60, 62; 362/157, 158, 184,
188, 189, 191, 198, 199, 200, 202, 362,
396

[56] **References Cited**

U.S. PATENT DOCUMENTS

D. 147,258	8/1947	Becker	D26/43
D. 166,073	3/1952	Dunkelberger	D26/43
D. 314,246	1/1991	Bache	D26/62
D. 328,146	7/1992	Sinsteden	D26/49
3,111,277	11/1963	Grimsley	D26/63 X

FOREIGN PATENT DOCUMENTS

685937	8/1986	Japan	D26/43
--------	--------	-------	-------	--------

OTHER PUBLICATIONS

Campmor, 1989; Flex-Lite, Center of p. 103.

Primary Examiner—A. Hugo Word

Assistant Examiner—Lavone Tabor

Attorney, Agent, or Firm—Barry E. Deutsch

[57] **CLAIM**

The ornamental design for a fluorescent flashlight with flexible handle, as shown and described.

DESCRIPTION

FIG. 1 is a perspective view taken from the front, top and right side of a fluorescent flashlight with flexible handle illustrating my new design;

FIG. 2 is an elevational view taken from the right side thereof of the design illustrated in FIG. 1;

FIG. 3 is an elevational view taken from the left side of the design illustrated in FIG. 1;

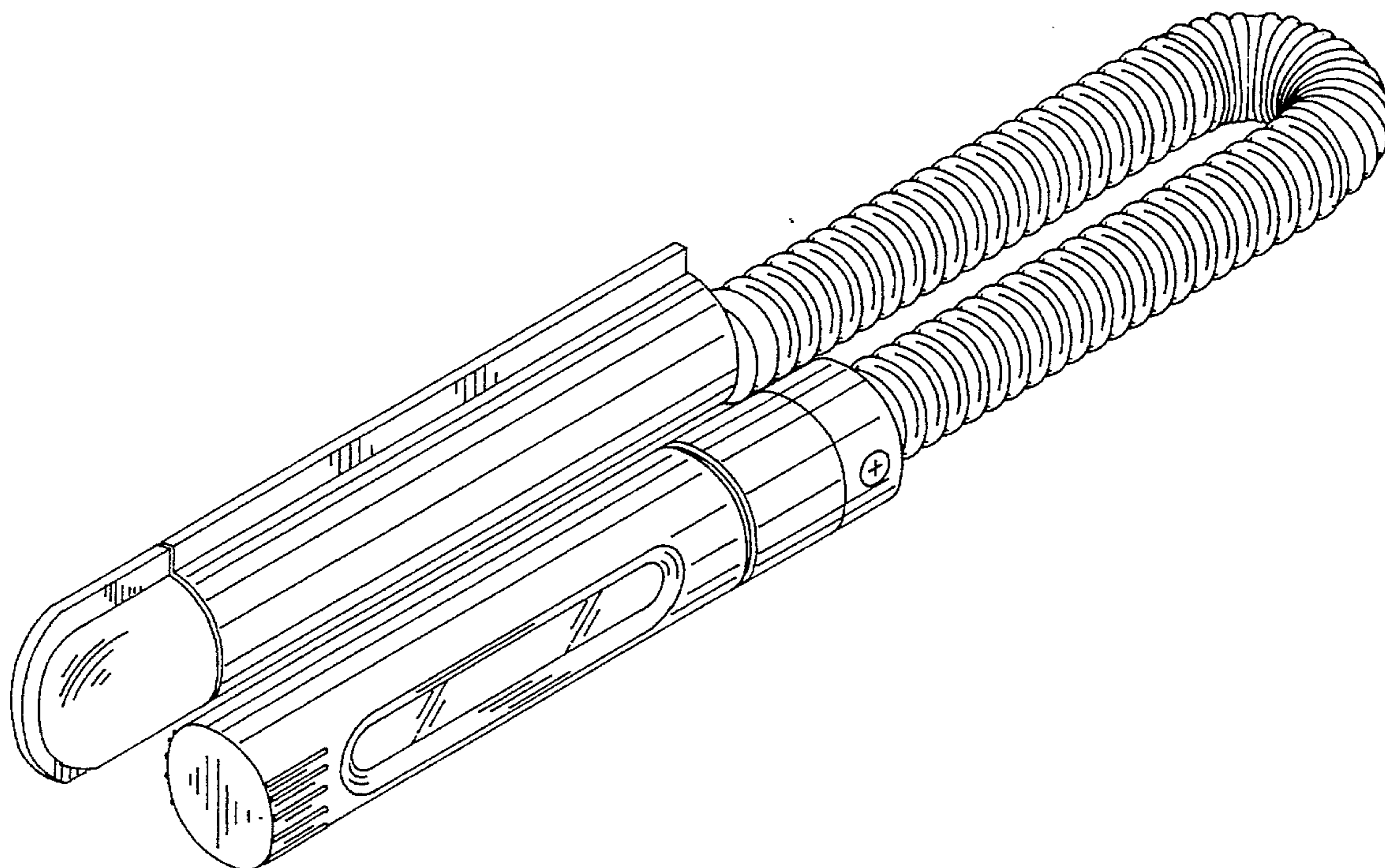
FIG. 4 is a front elevational view thereof;

FIG. 5 is a rear elevational view thereof;

FIG. 6 is a top plan view thereof; and,

FIG. 7 is a bottom plan view thereof.

1 Claim, 3 Drawing Sheets



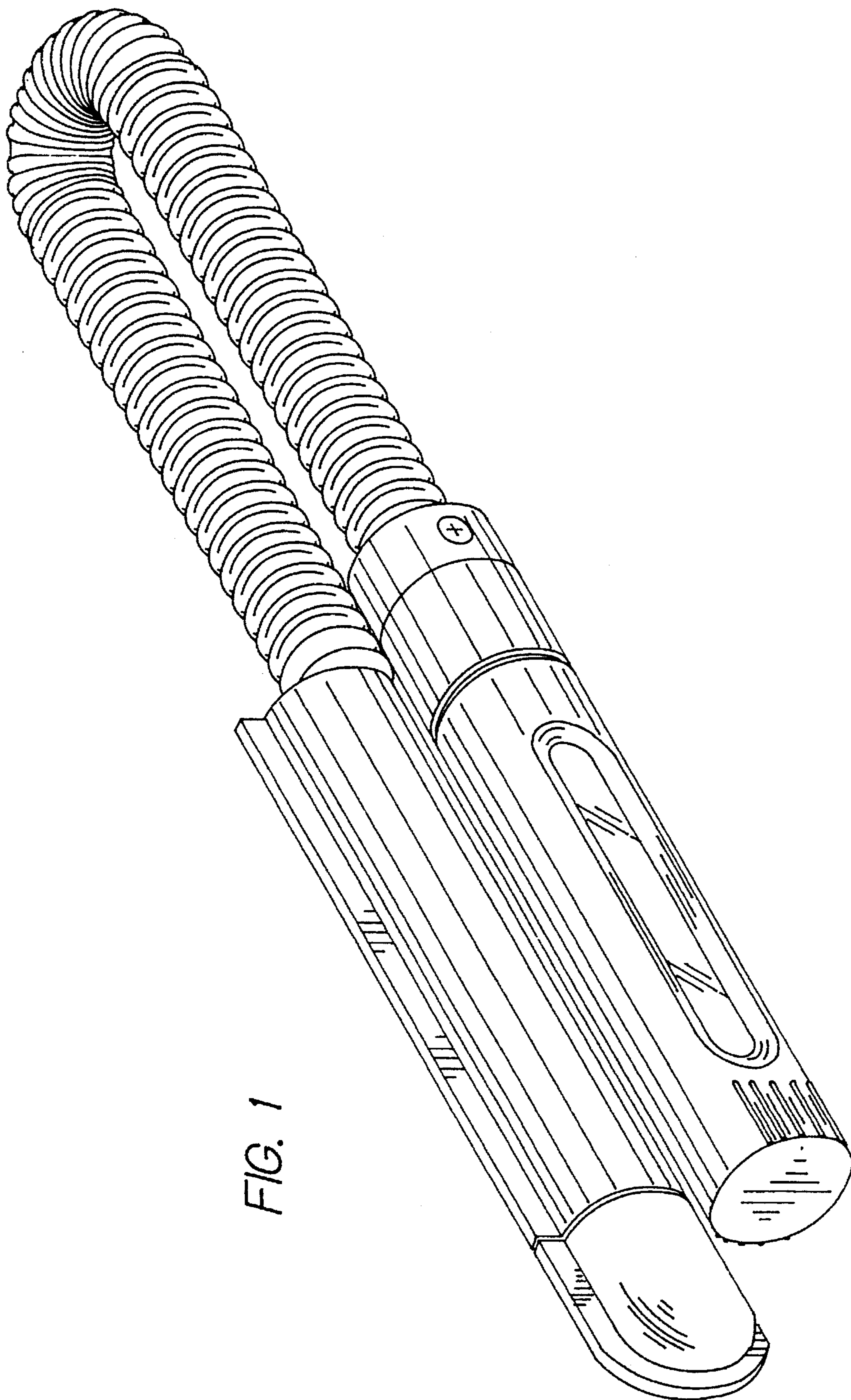


FIG. 1

FIG. 2

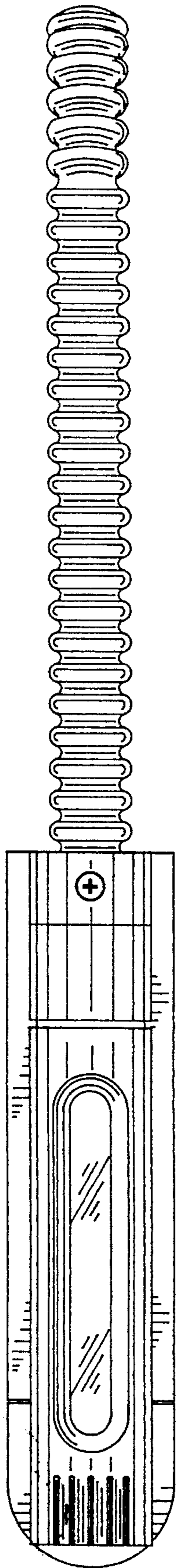


FIG. 3

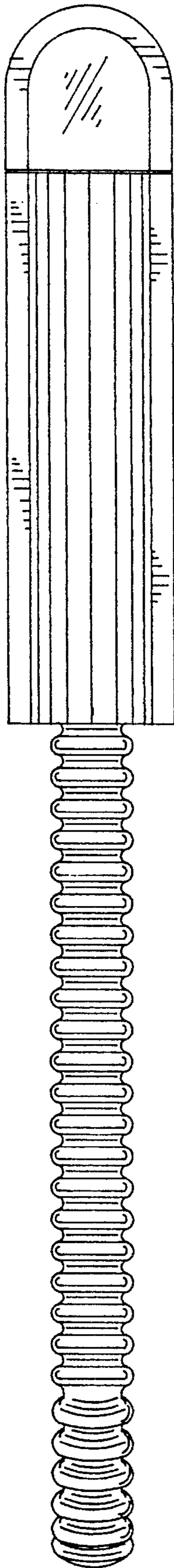


FIG. 5

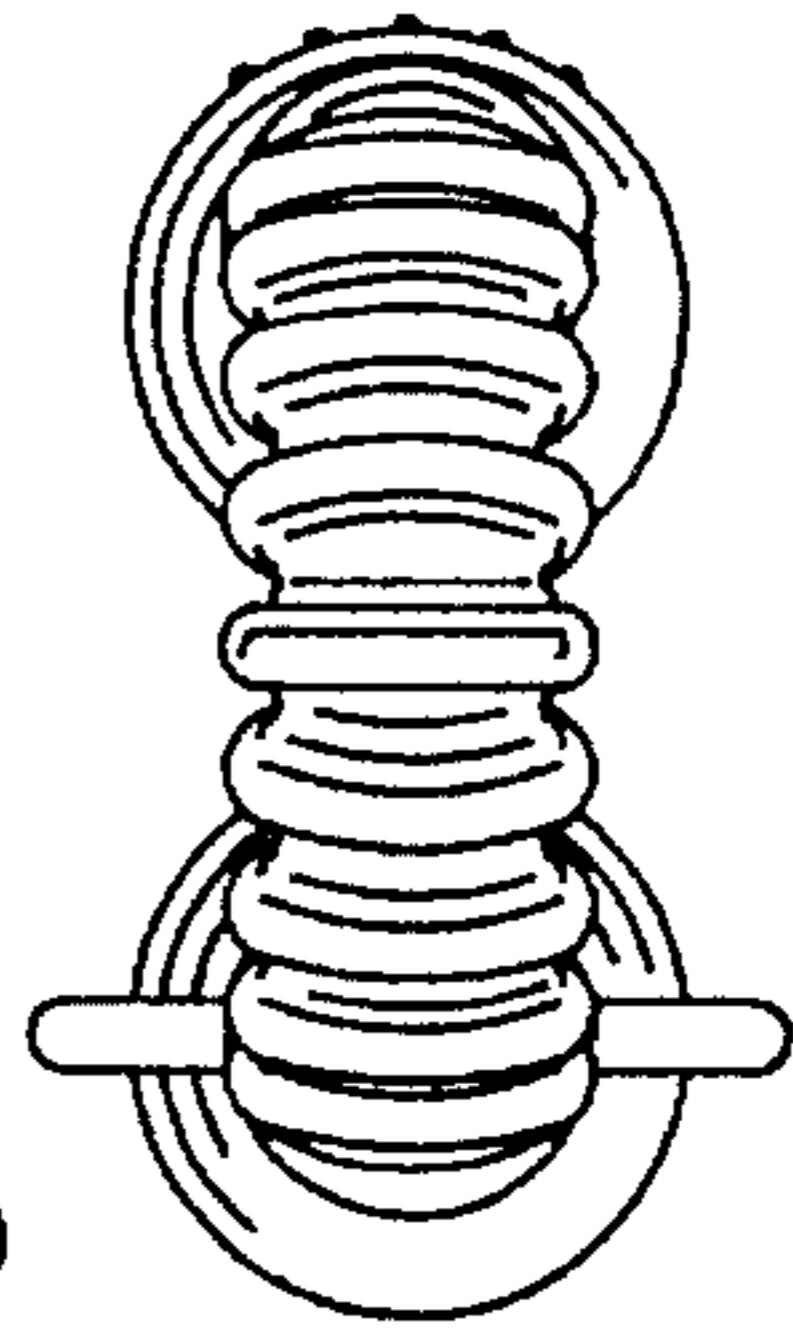


FIG. 4

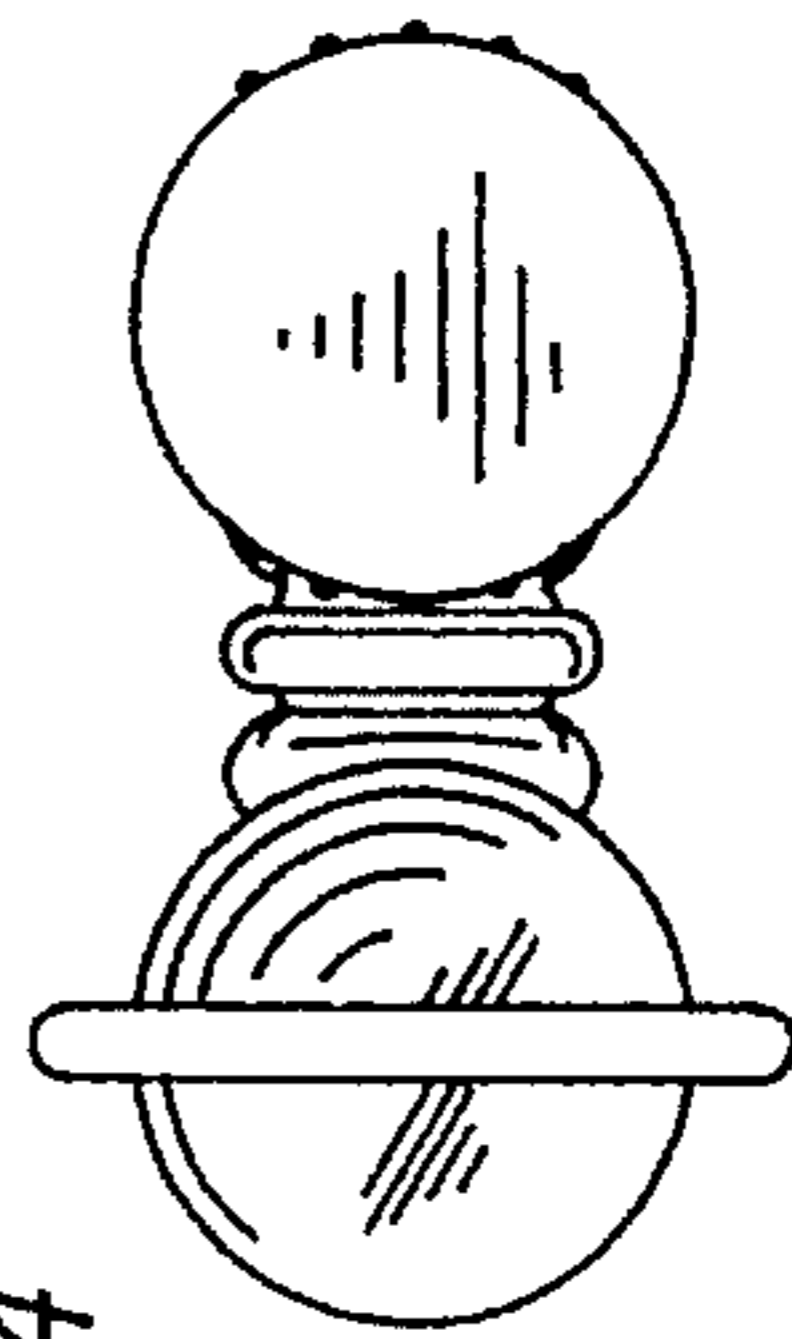


FIG. 6

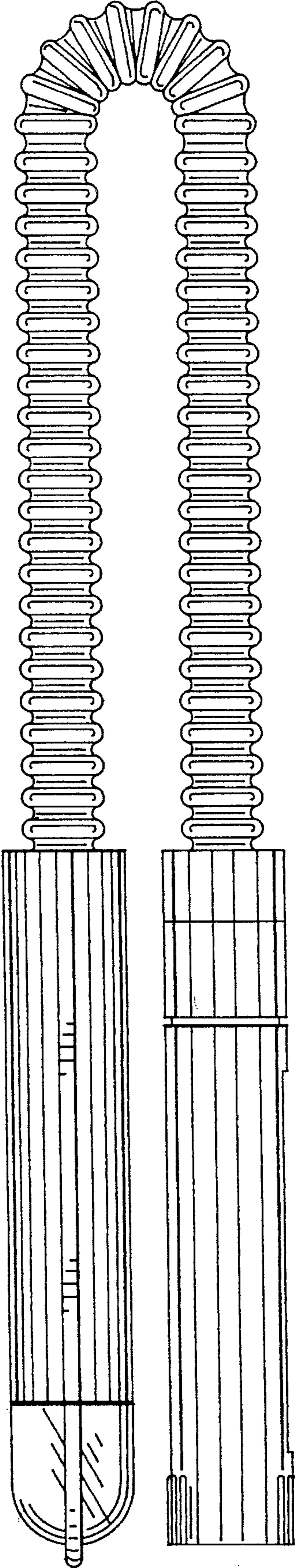


FIG. 7

