



US00D370278S

United States Patent [19]

Nolan

[11] Patent Number: **Des. 370,278**

[45] Date of Patent: ****May 28, 1996**

[54] FLEXIBLE FLASHLIGHT

[75] Inventor: **Patrick Nolan**, Westport, Conn.

[73] Assignee: **Black & Decker Inc.**, Newark, Del.

[**] Term: **14 Years**

[21] Appl. No.: **35,085**

[22] Filed: **Feb. 21, 1995**

[52] U.S. Cl. **D26/43**

[58] Field of Search D26/37, 43, 44,
D26/46, 49, 60, 62; 362/157, 158, 184,
188, 189, 198, 199, 200, 396, 191

[56] **References Cited**

U.S. PATENT DOCUMENTS

D. 311,593	10/1990	Fenne	D26/46
D. 314,246	1/1991	Bache	D26/62
D. 337,839	7/1993	Zeller	D26/43
1,692,394	11/1928	Sundh	362/198

3,111,277	11/1963	Grimsley	D26/43 X
4,870,550	9/1989	Uke	362/158
5,385,500	1/1995	Schmidt	362/189 X

Primary Examiner—Susan J. Lucas
Attorney, Agent, or Firm—Barry E. Deutsch

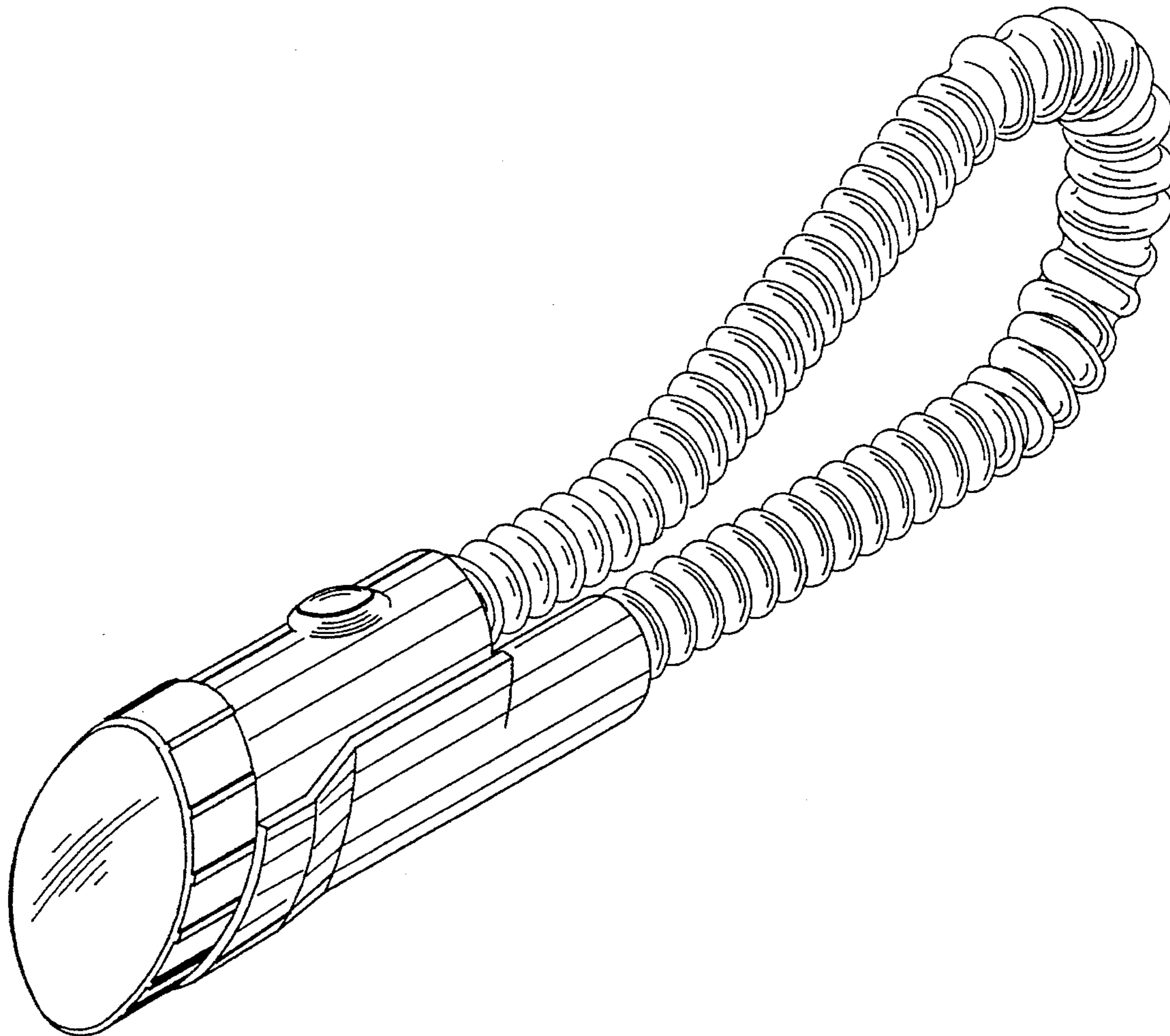
[57] **CLAIM**

The ornamental design for a flexible flashlight, as shown and described.

DESCRIPTION

FIG. 1 is a perspective view taken from the front, top, and right side of a flexible flashlight showing my new design; FIG. 2 is a right side elevational view thereof; FIG. 3 is a left side elevational view thereof; FIG. 4 is a rear elevational view thereof; FIG. 5 is a front elevational view thereof; FIG. 6 is a top plan view thereof; and, FIG. 7 is a bottom plan view thereof.

1 Claim, 3 Drawing Sheets



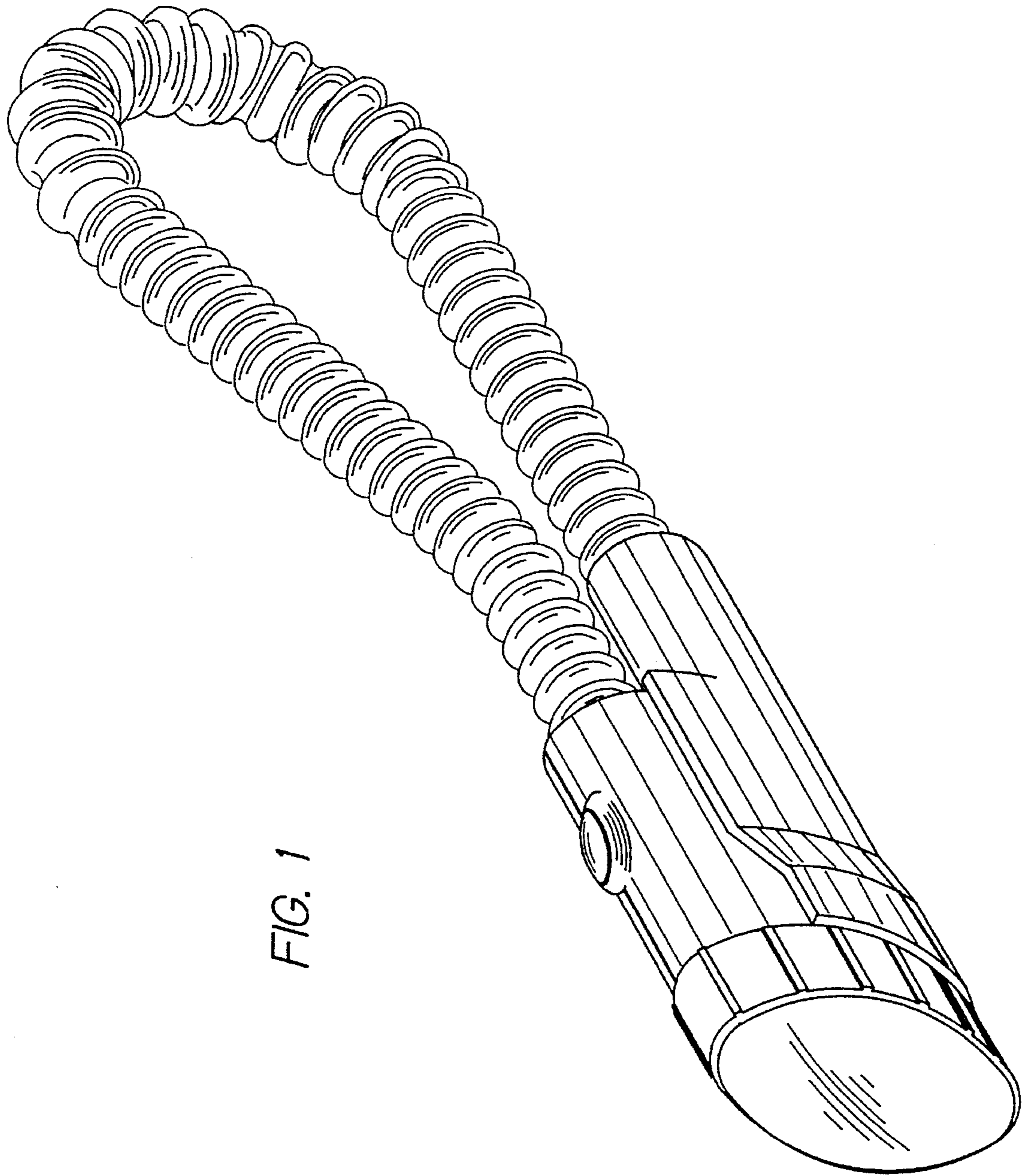


FIG. 1

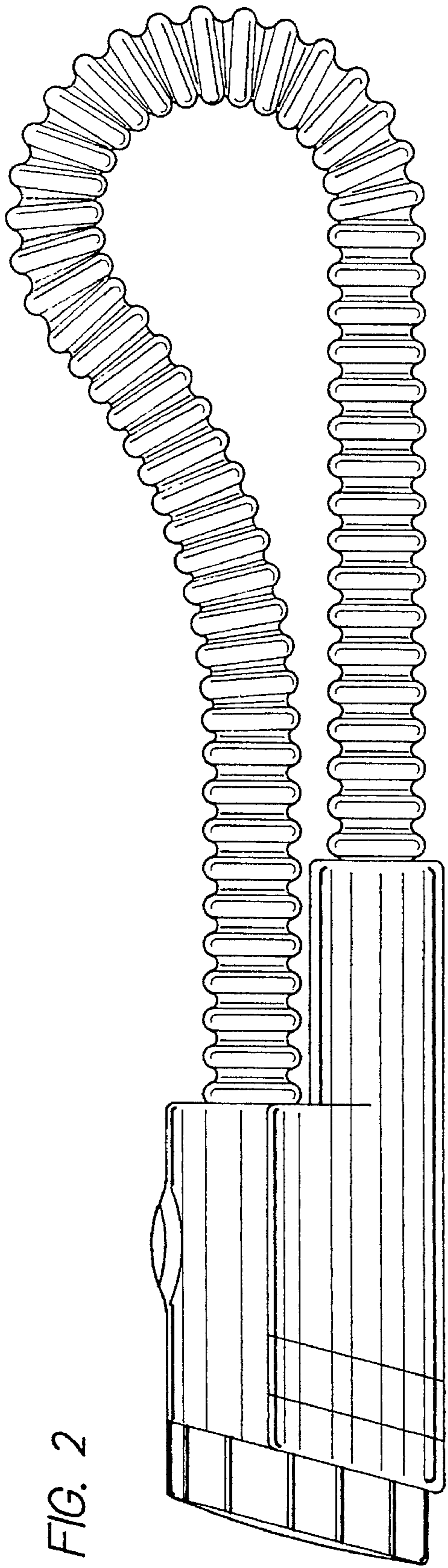


FIG. 2

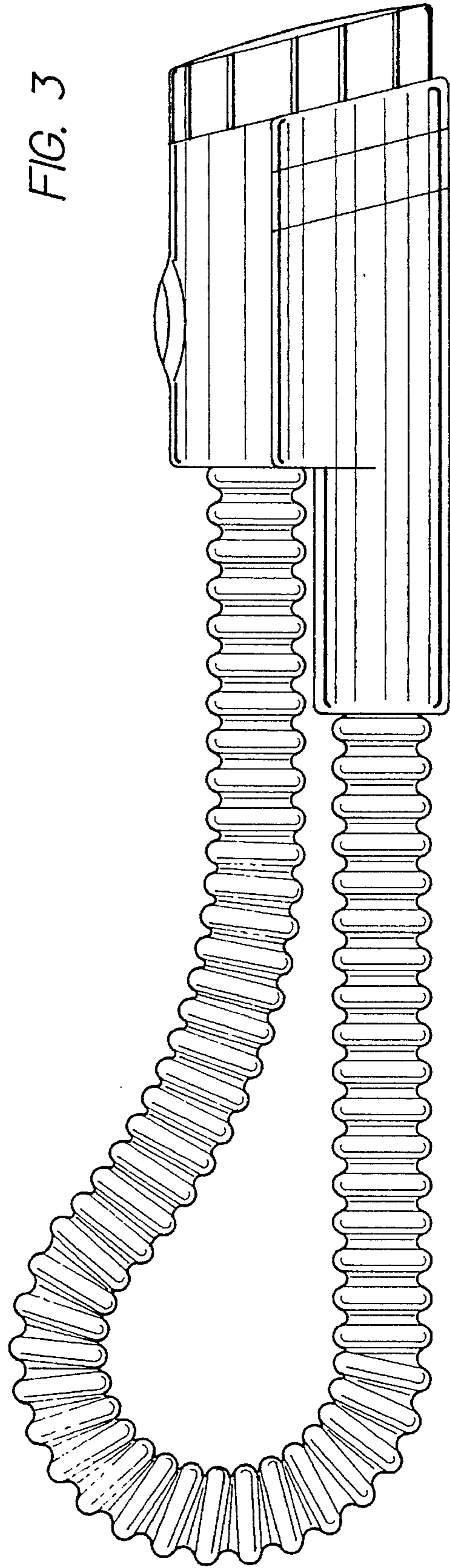


FIG. 3

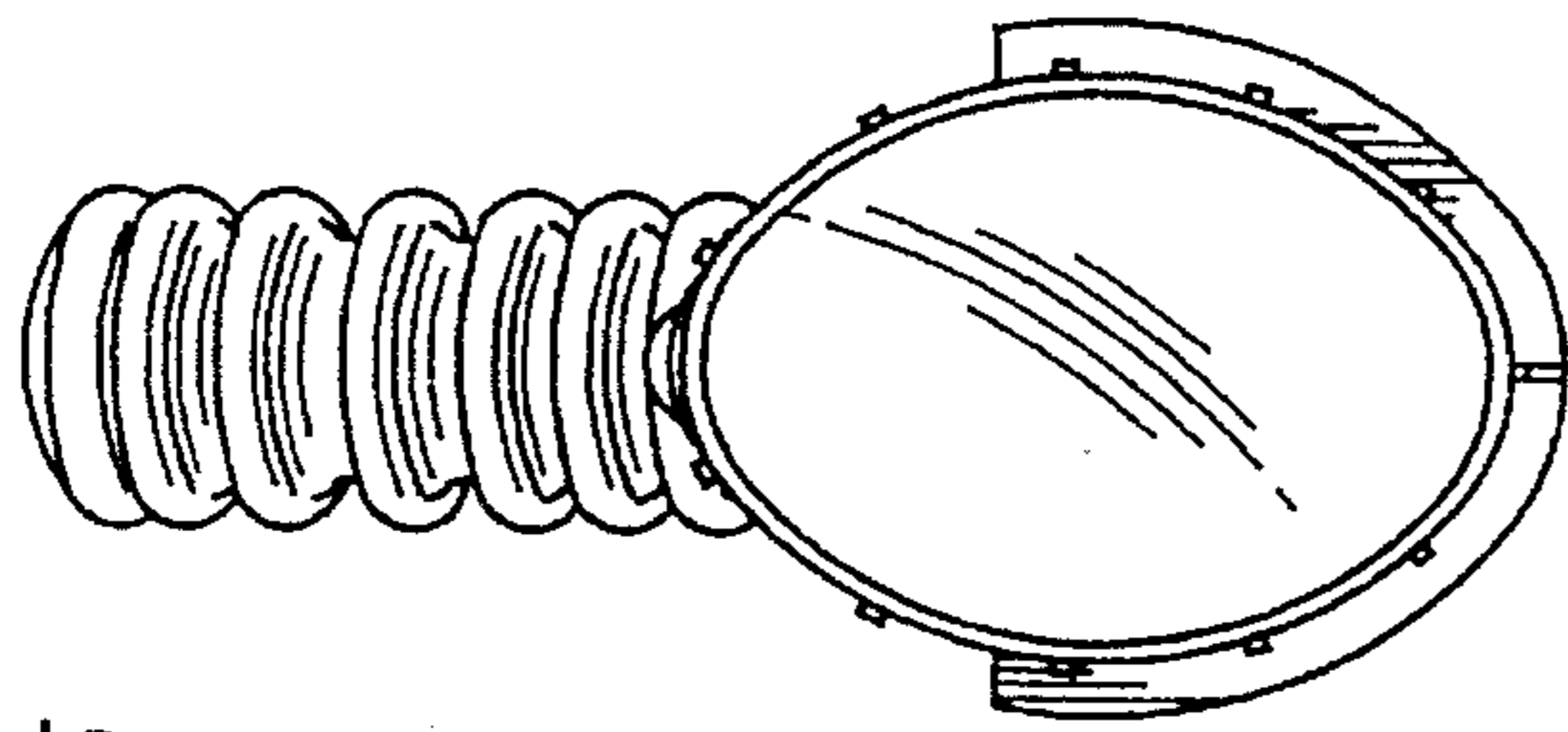


FIG. 5

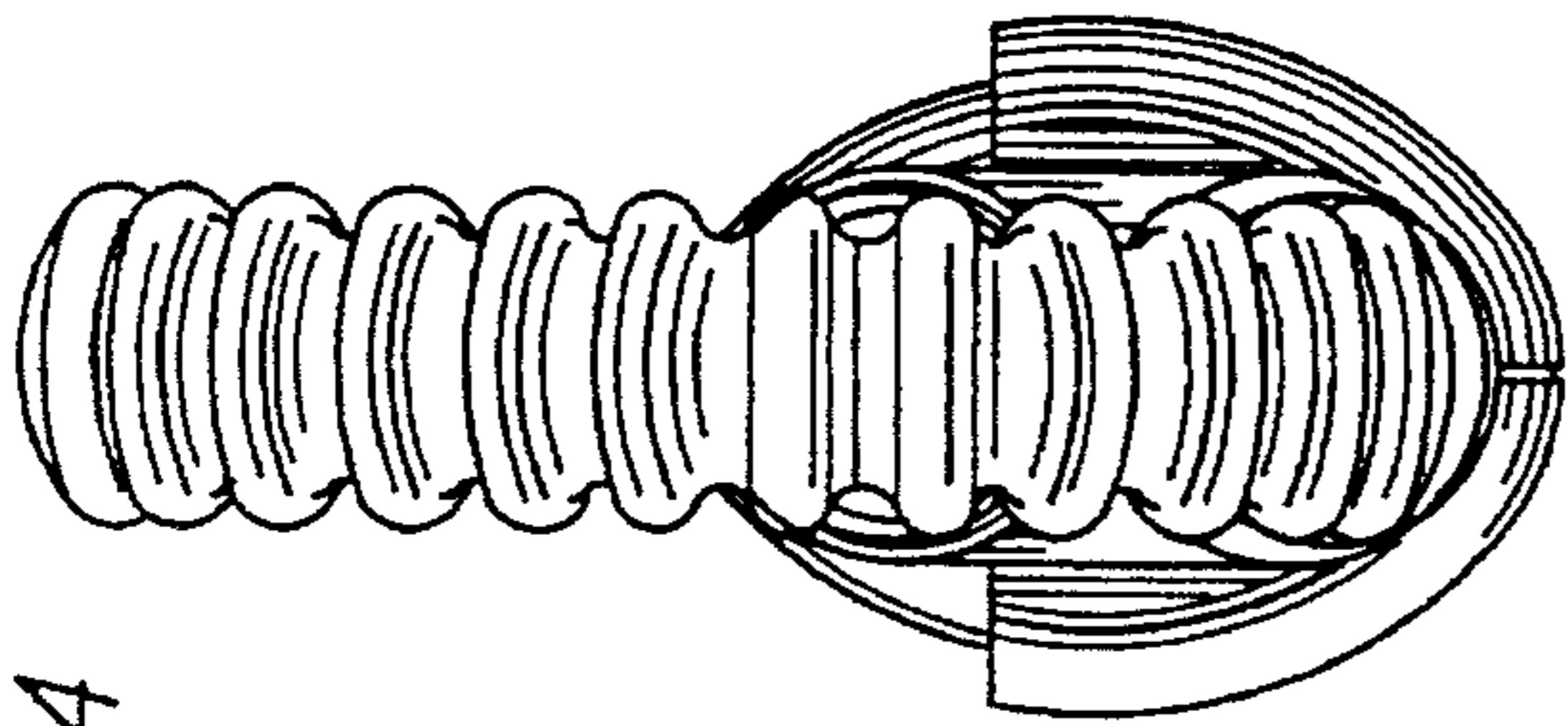


FIG. 4

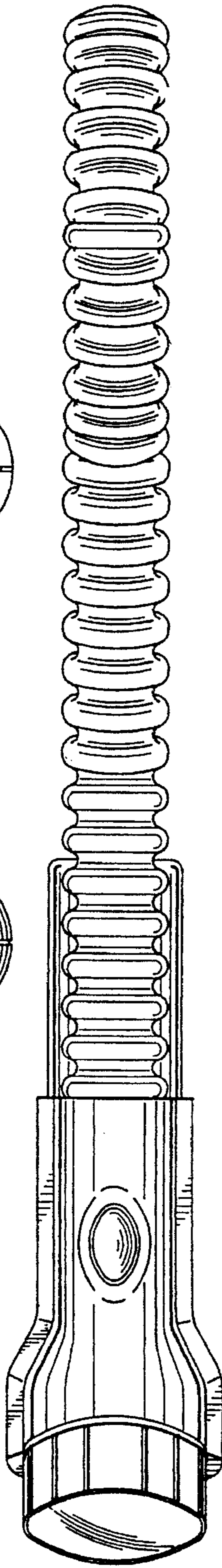


FIG. 6

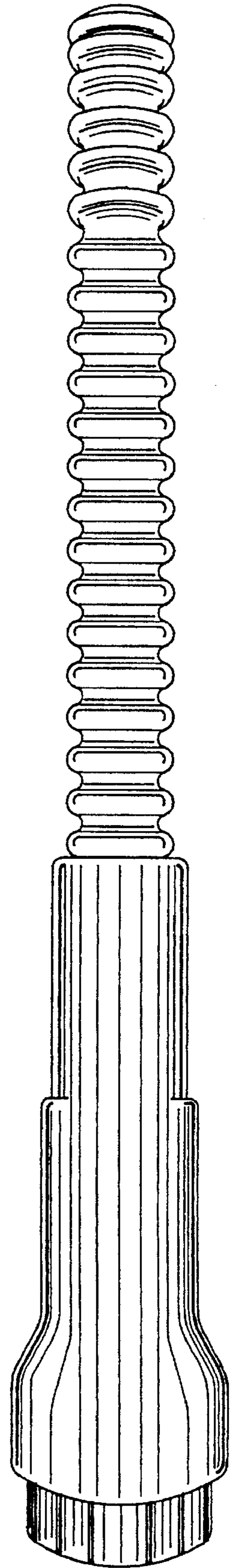


FIG. 7