



US00D370274S

United States Patent [19]

[11] Patent Number: **Des. 370,274**

Menzies

[45] Date of Patent: ****May 28, 1996**

[54] **ROOF VENT FLASHING**

[75] Inventor: **Samuel J. Menzies**, Abbotsford, Canada

[73] Assignee: **Menzies Enterprises Ltd.**, British Columbia, Canada

[**] Term: **14 Years**

[21] Appl. No.: **32,801**

[22] Filed: **Dec. 28, 1994**

[52] U.S. Cl. **D25/199**

[58] Field of Search **D25/199; 52/58, 52/218, 219, 199, 200; 285/42-44; 428/461-466, 358, 122**

60897	of 0000	Canada .
31245	3/1969	Canada .
1046101	1/1979	Canada .
1067922	12/1979	Canada .
1129909	8/1982	Canada .
1160658	1/1984	Canada .
1161879	2/1984	Canada .
1249853	2/1989	Canada .
63740	7/1989	Canada .
1268657	5/1990	Canada .
66246	6/1990	Canada .
1281880	3/1991	Canada .
68137	3/1991	Canada .
70645	5/1992	Canada .
2104172	3/1994	Canada .

OTHER PUBLICATIONS

Undated "Flex-Flash 3 'N' 1 vent pipe flashing" brochure of Flex-Flash Inc., Tecumseh, Ontario, Canada.

Primary Examiner—Antoine Duval Davis
Attorney, Agent, or Firm—Oyen Wiggs Green & Mutala

[56] References Cited

U.S. PATENT DOCUMENTS

D. 269,454	6/1983	Houseman	D25/199
D. 292,233	10/1987	Schalle	D25/199
3,807,110	4/1974	Kaminski	.	
4,010,578	3/1977	Logsdon	.	
4,120,129	10/1978	Nagler et al.	.	
4,160,347	7/1979	Logsdon	.	
4,265,058	5/1981	Logsdon	.	
4,563,847	1/1986	Hasty	.	
4,768,812	9/1988	Katz	.	
5,010,700	4/1991	Blair	.	
5,018,748	5/1991	Schalle	.	
5,036,636	8/1991	Hasty	.	
5,222,334	6/1993	Hasty	.	
5,414,964	5/1995	Bodycomb	52/58

FOREIGN PATENT DOCUMENTS

60254 of 0000 Canada .

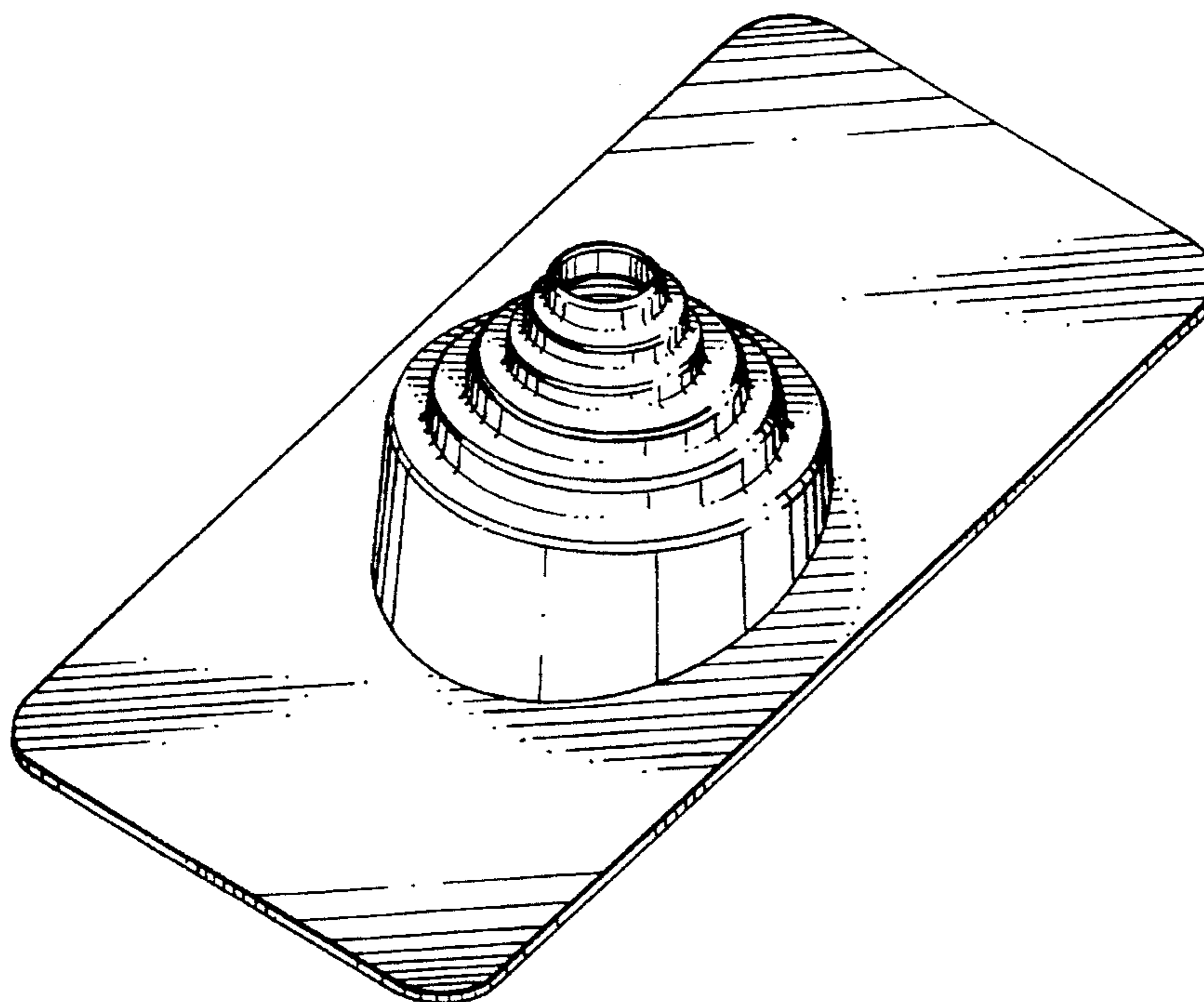
[57] CLAIM

The ornamental design for a roof vent flashing, as shown and described.

DESCRIPTION

FIG. 1 is pictorial view thereof;
FIG. 2 is a top plan view thereof;
FIG. 3 is a right side elevation view thereof;
FIG. 4 is a bottom plan view thereof;
FIG. 5 is a left side elevation view thereof;
FIG. 6 is a front elevation view thereof; and,
FIG. 7 is a rear elevation view thereof.

1 Claim, 2 Drawing Sheets



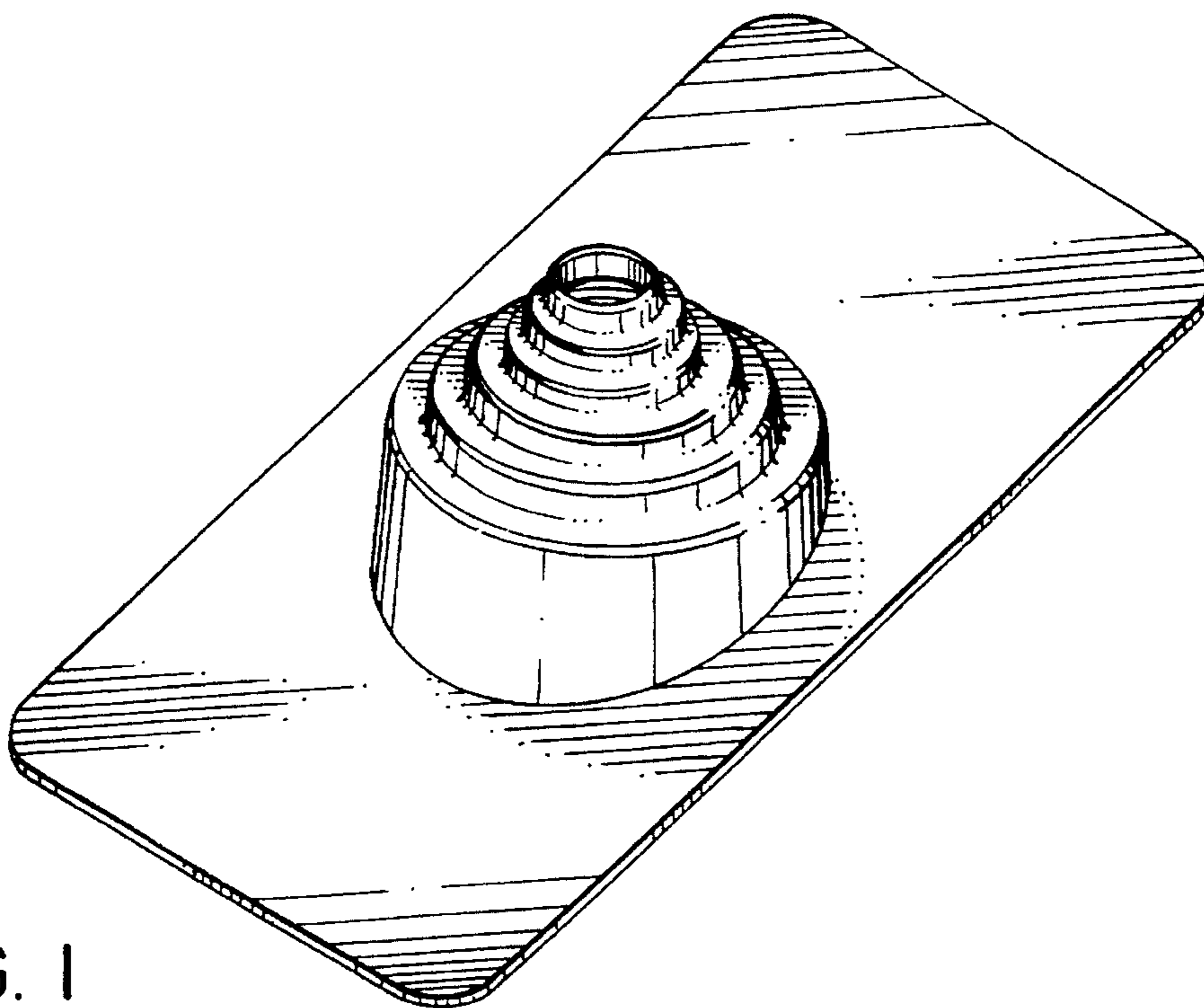


FIG. 1

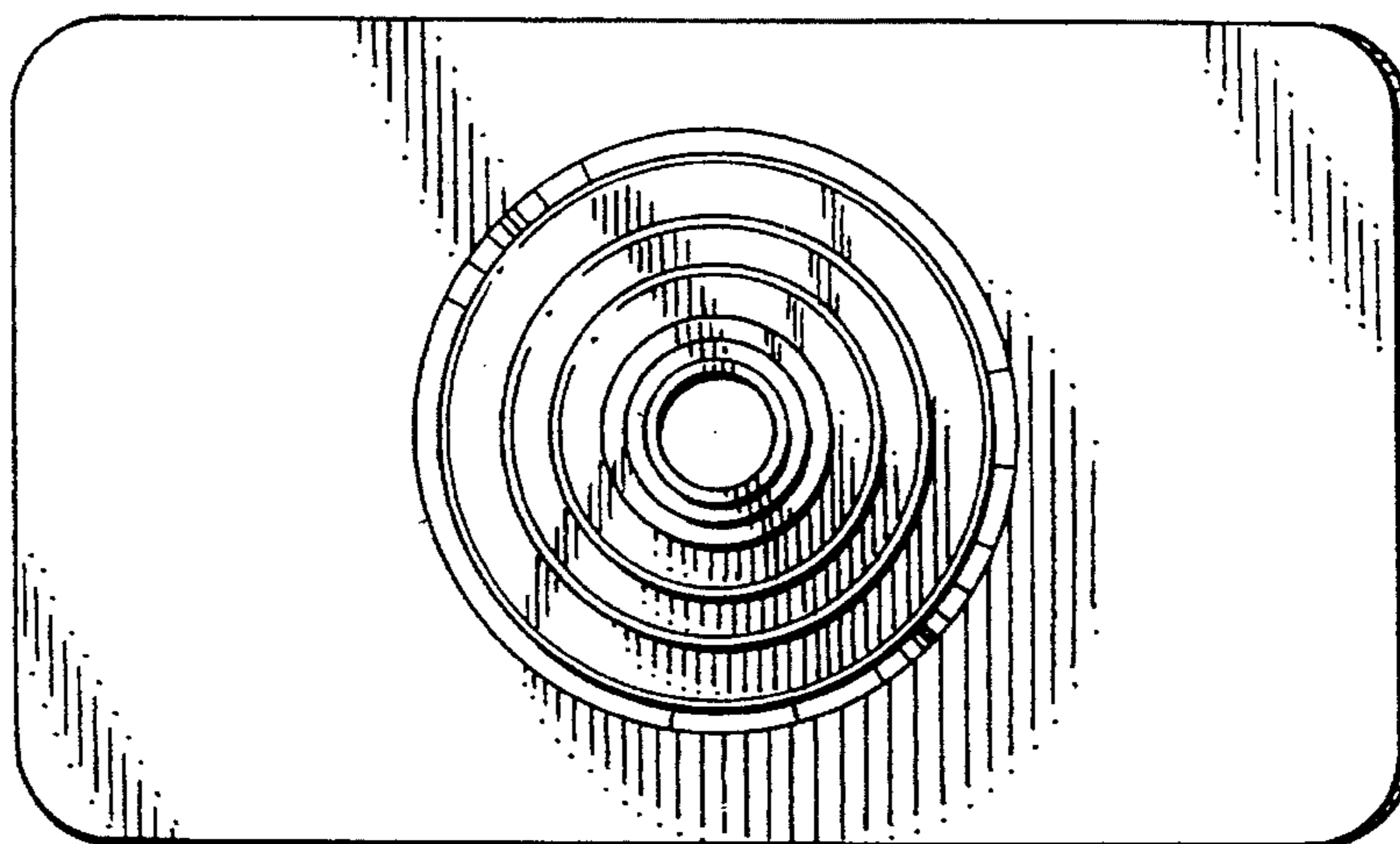


FIG. 2

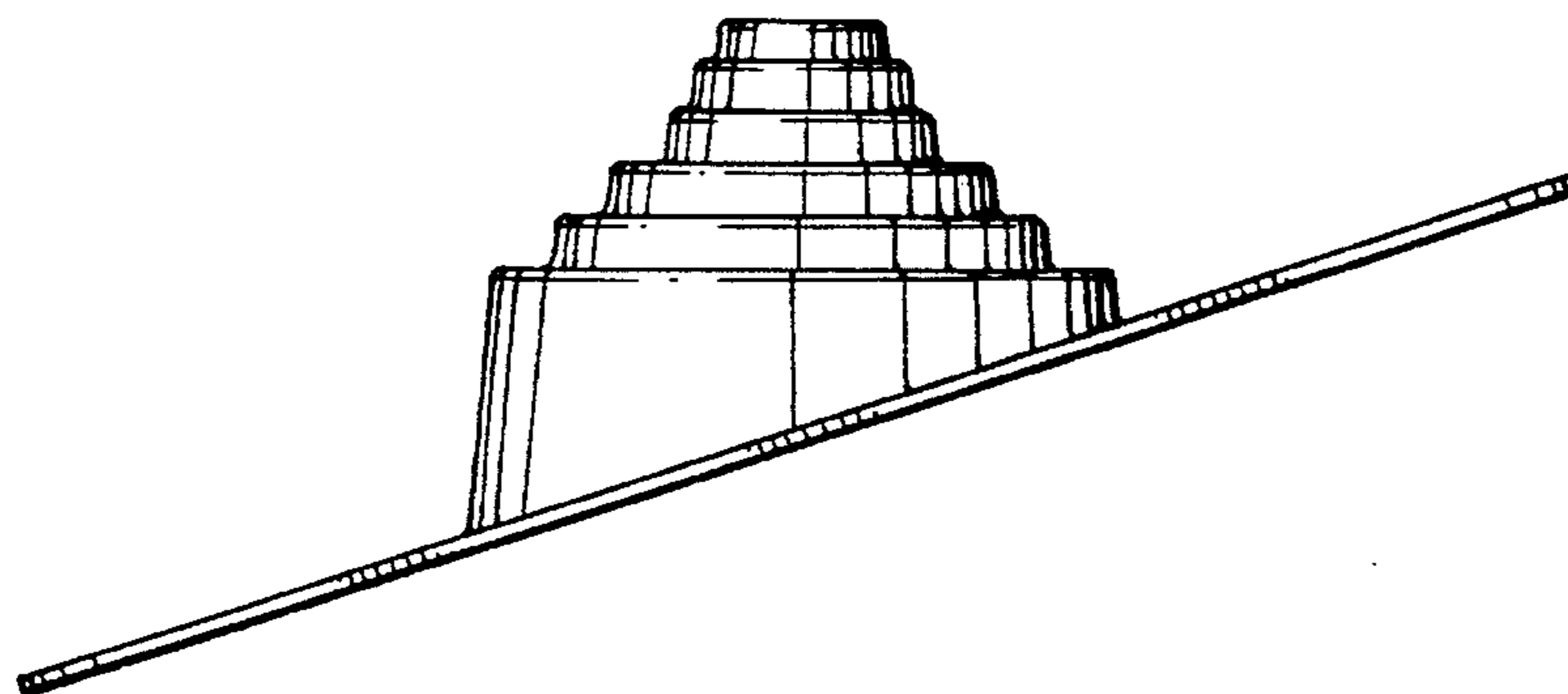


FIG. 3

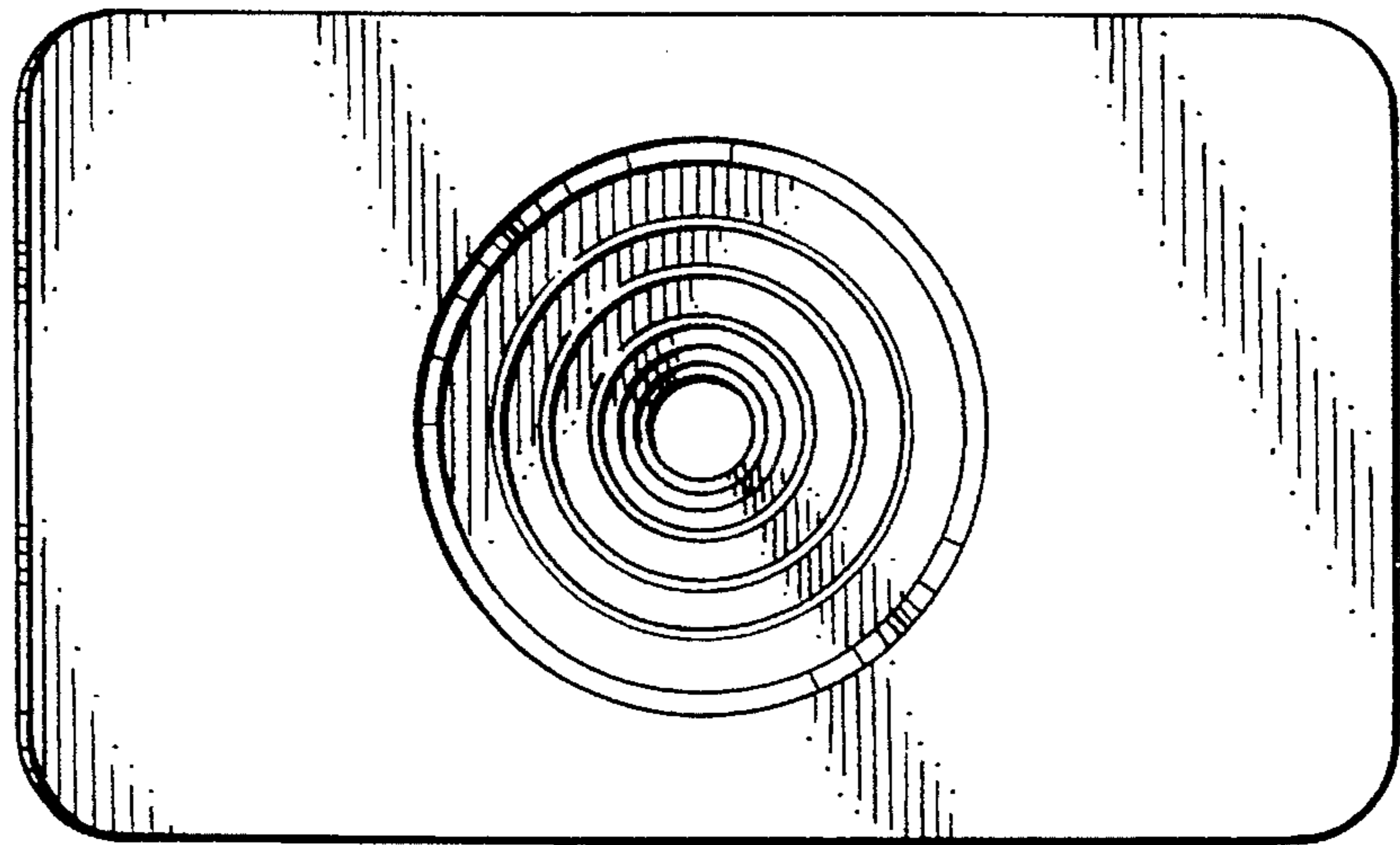


FIG. 4

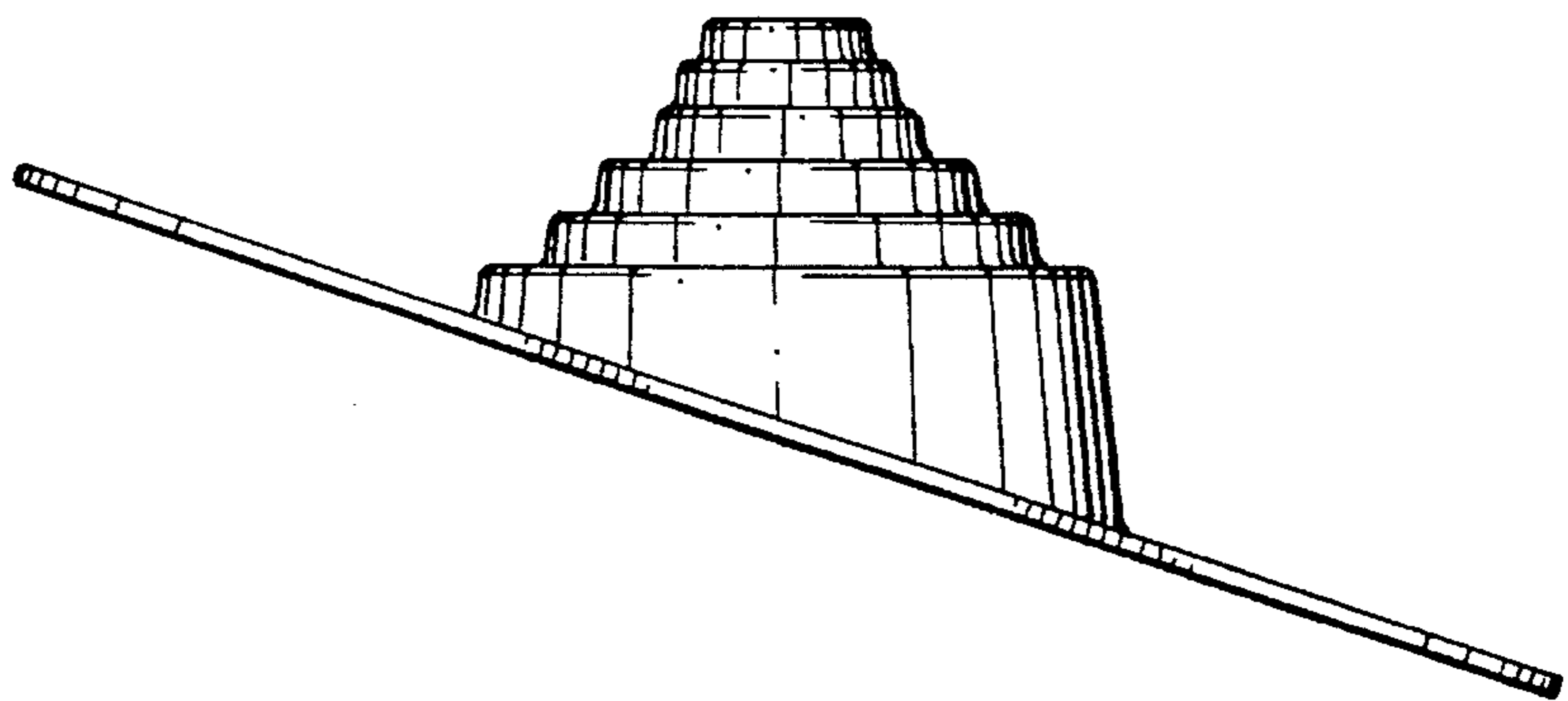


FIG. 5

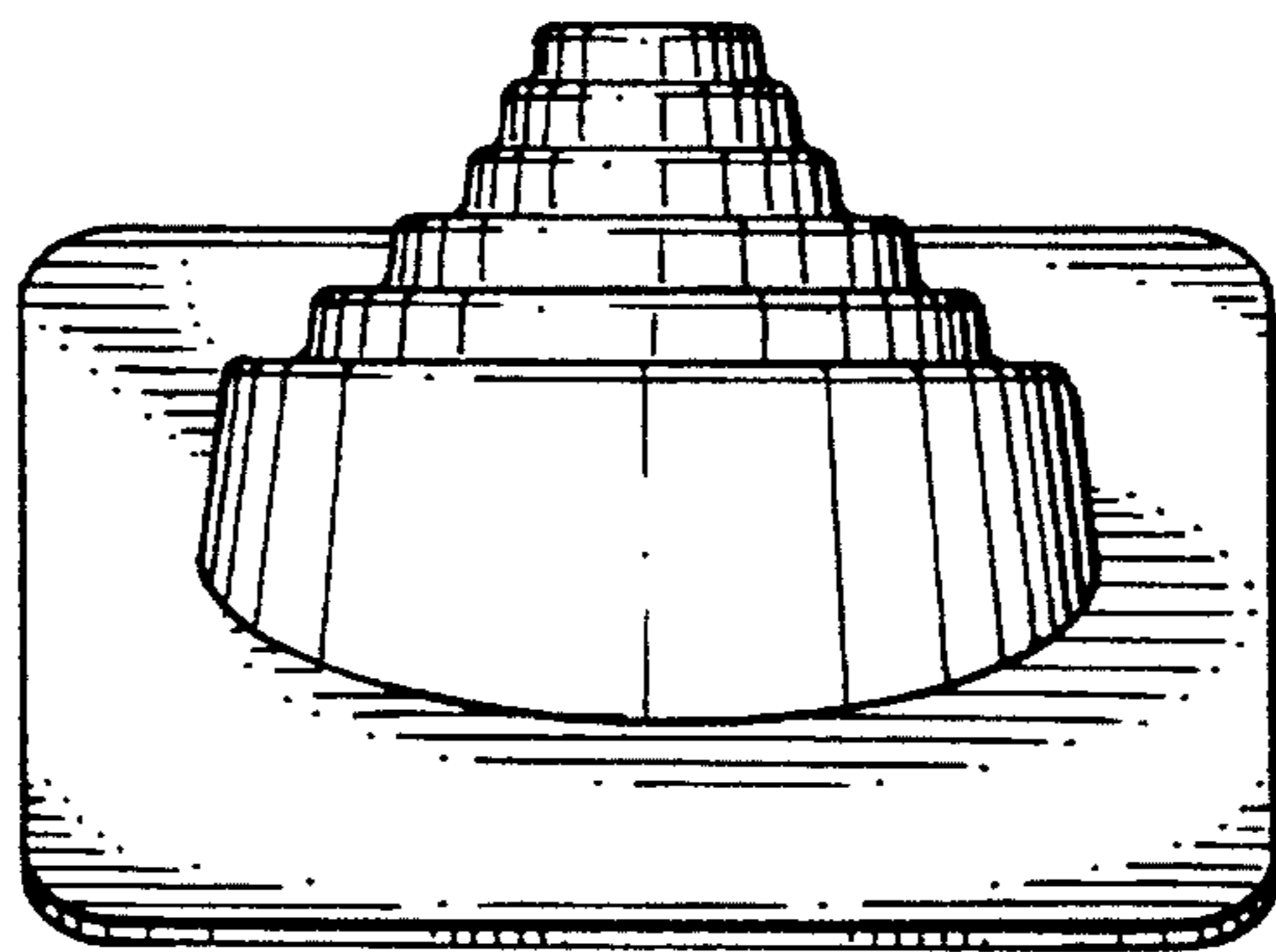


FIG. 6

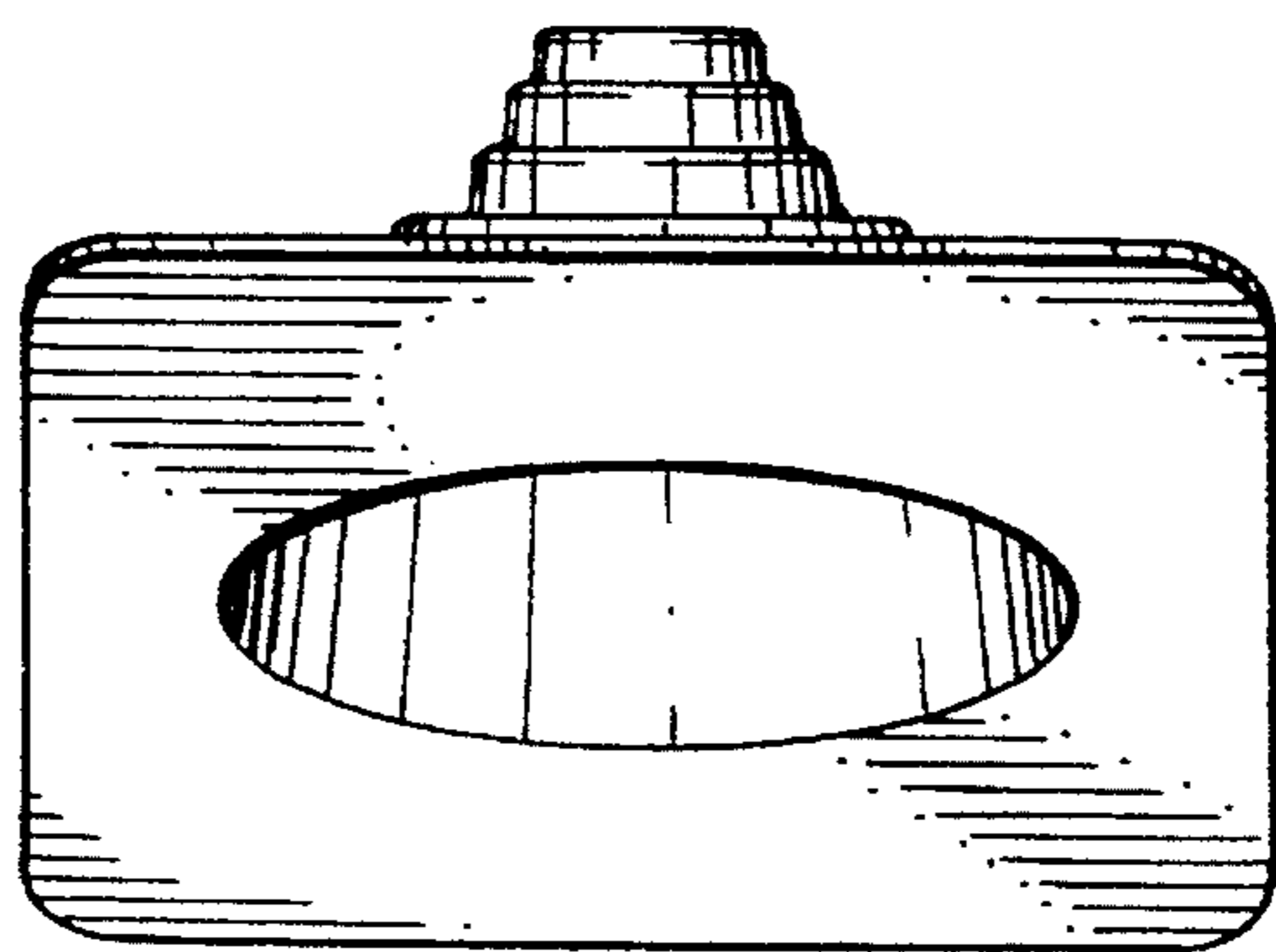


FIG. 7