



US00D370271S

# United States Patent [19] Smith

[11] Patent Number: **Des. 370,271**

[45] Date of Patent: **\*\*May 28, 1996**

[54] **SAWHORSE TRESTLE**

[76] Inventor: **Brian S. Smith**, 1304 Brixton Rd.,  
Pasadena, Calif. 91105

[\*\*] Term: **14 Years**

[21] Appl. No.: **39,265**

[22] Filed: **May 25, 1995**

[52] U.S. Cl. .... **D25/67**

[58] Field of Search ..... D25/62, 66, 67;  
182/153, 155, 152, 181

[56] **References Cited**

**U.S. PATENT DOCUMENTS**

D. 298,571	11/1988	Hodvett	.....	D25/67
2,832,647	4/1958	Gerke	.....	D25/67
3,110,360	11/1963	Hearn	.....	182/155

*Primary Examiner*—Doris Clark  
*Attorney, Agent, or Firm*—Frederick Gotha

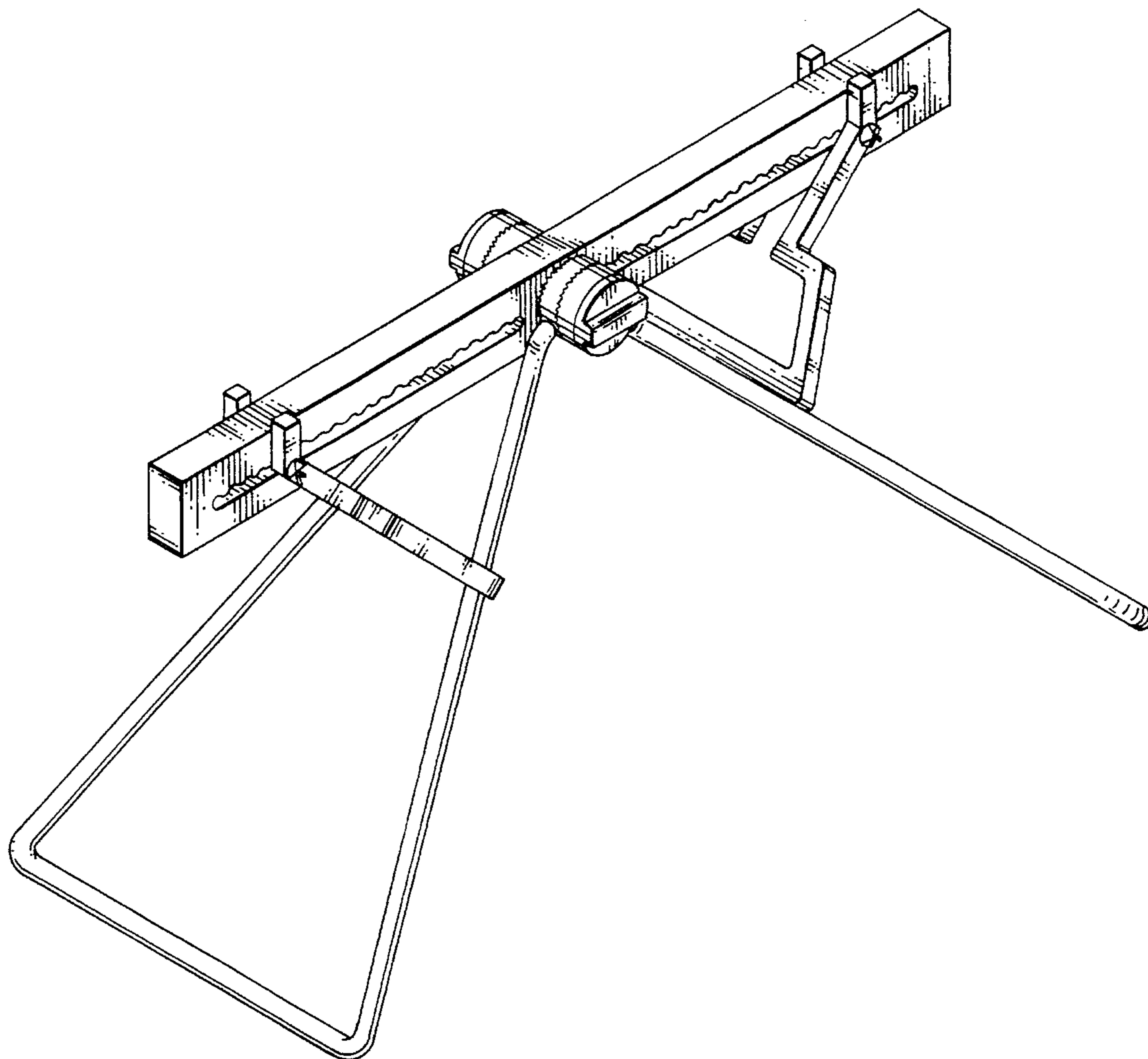
[57] **CLAIM**

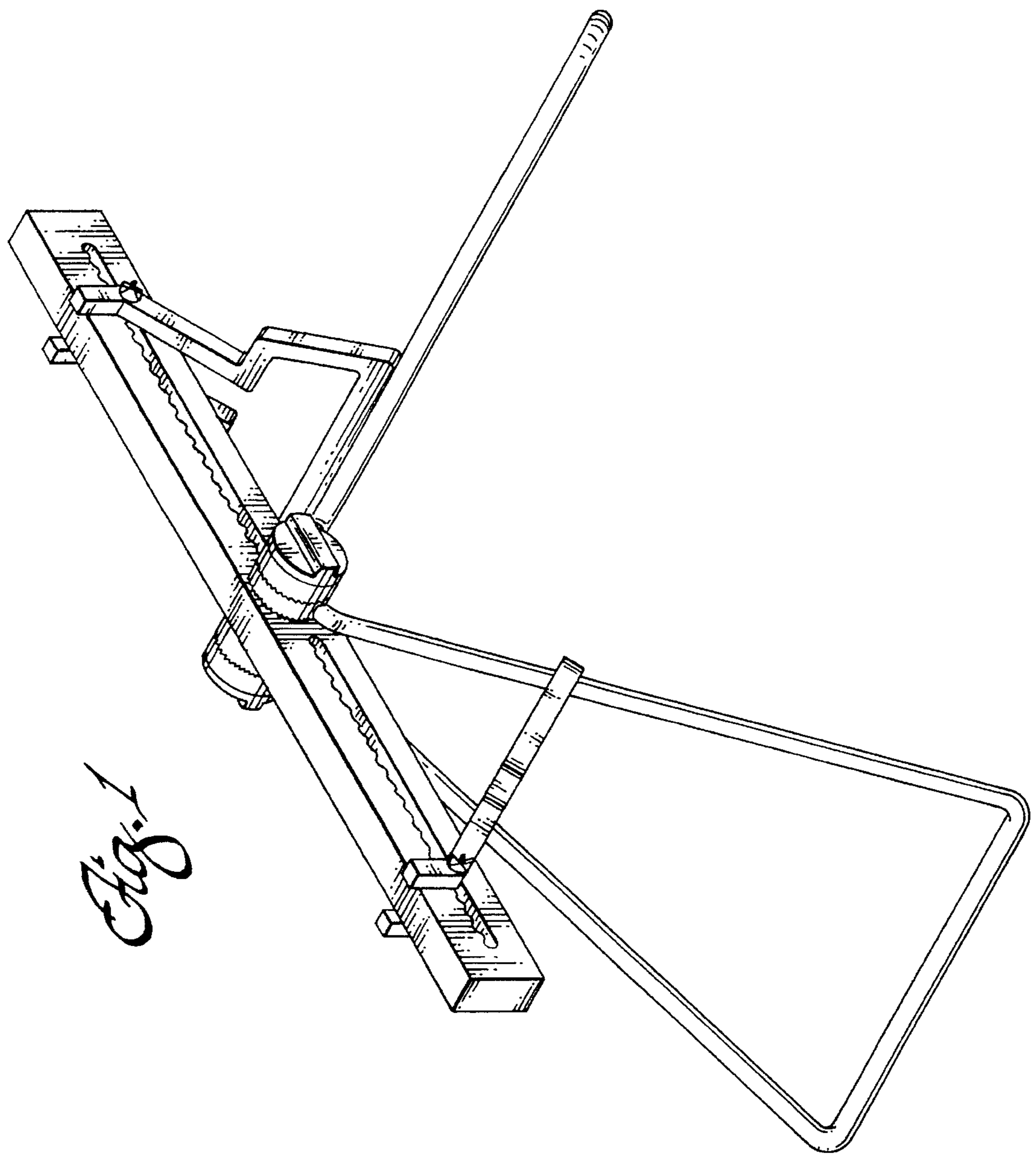
The ornamental design for a sawhorse trestle, as shown and described.

**DESCRIPTION**

FIG. 1 is a perspective view of a sawhorse trestle showing my new design;  
FIG. 2 is a top plan view thereof;  
FIG. 3 is a front elevational plan view thereof;  
FIG. 4 is a rear elevational view thereof;  
FIG. 5 is a bottom plan view thereof;  
FIG. 6 is a right side elevational view thereof; and,  
FIG. 7 is a left side elevational view thereof.

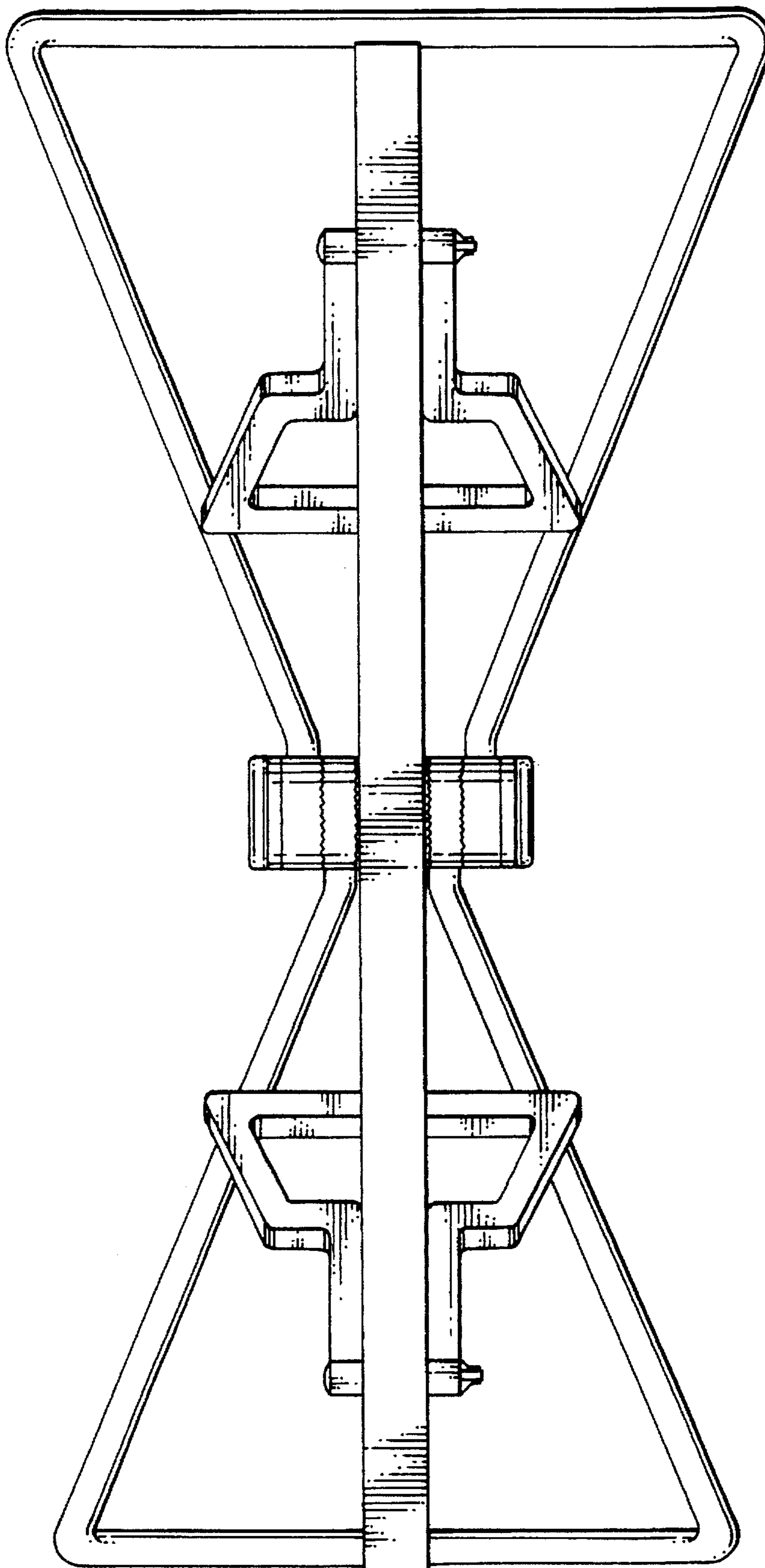
**1 Claim, 6 Drawing Sheets**



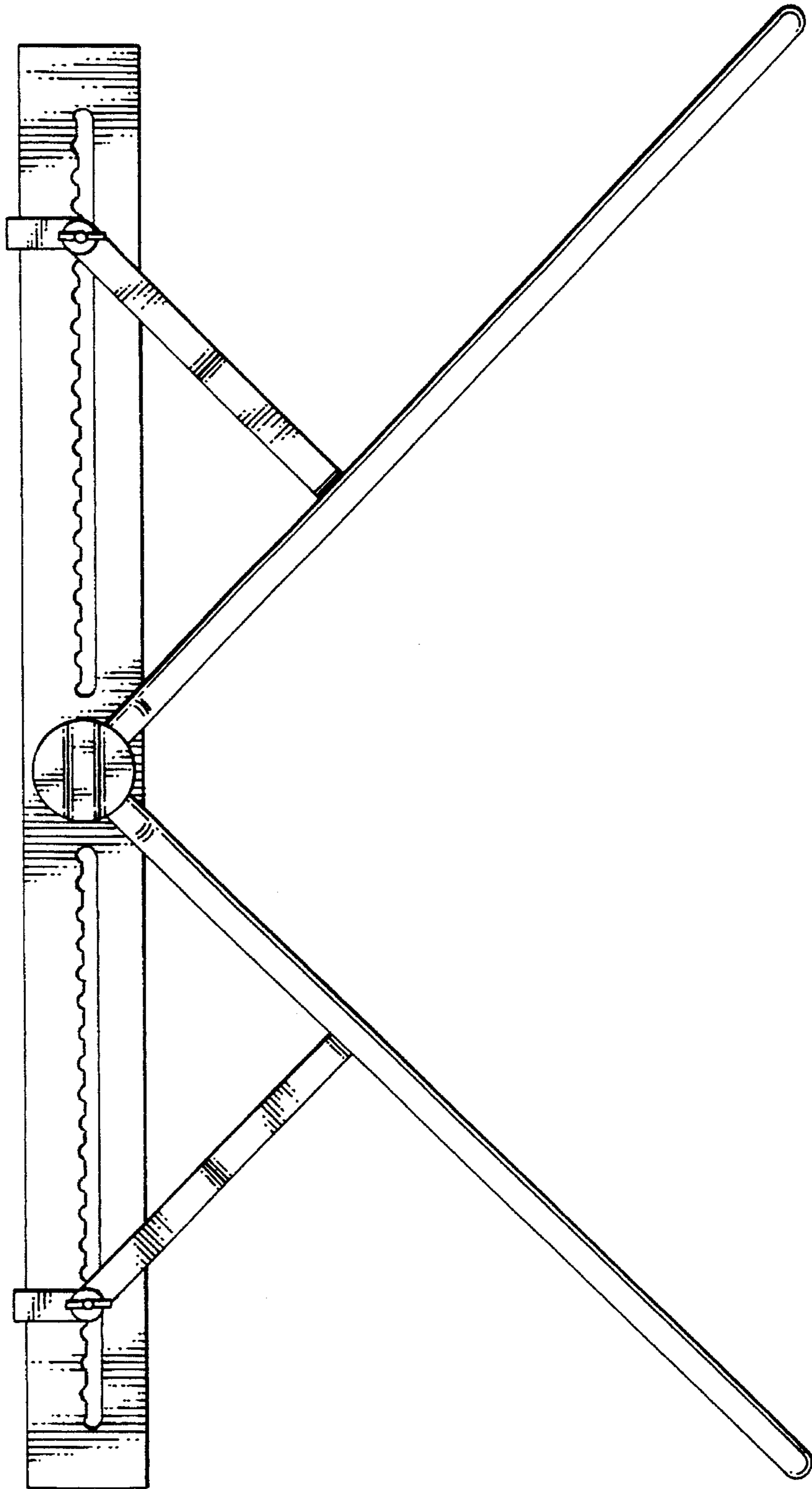


*Fig. 1*

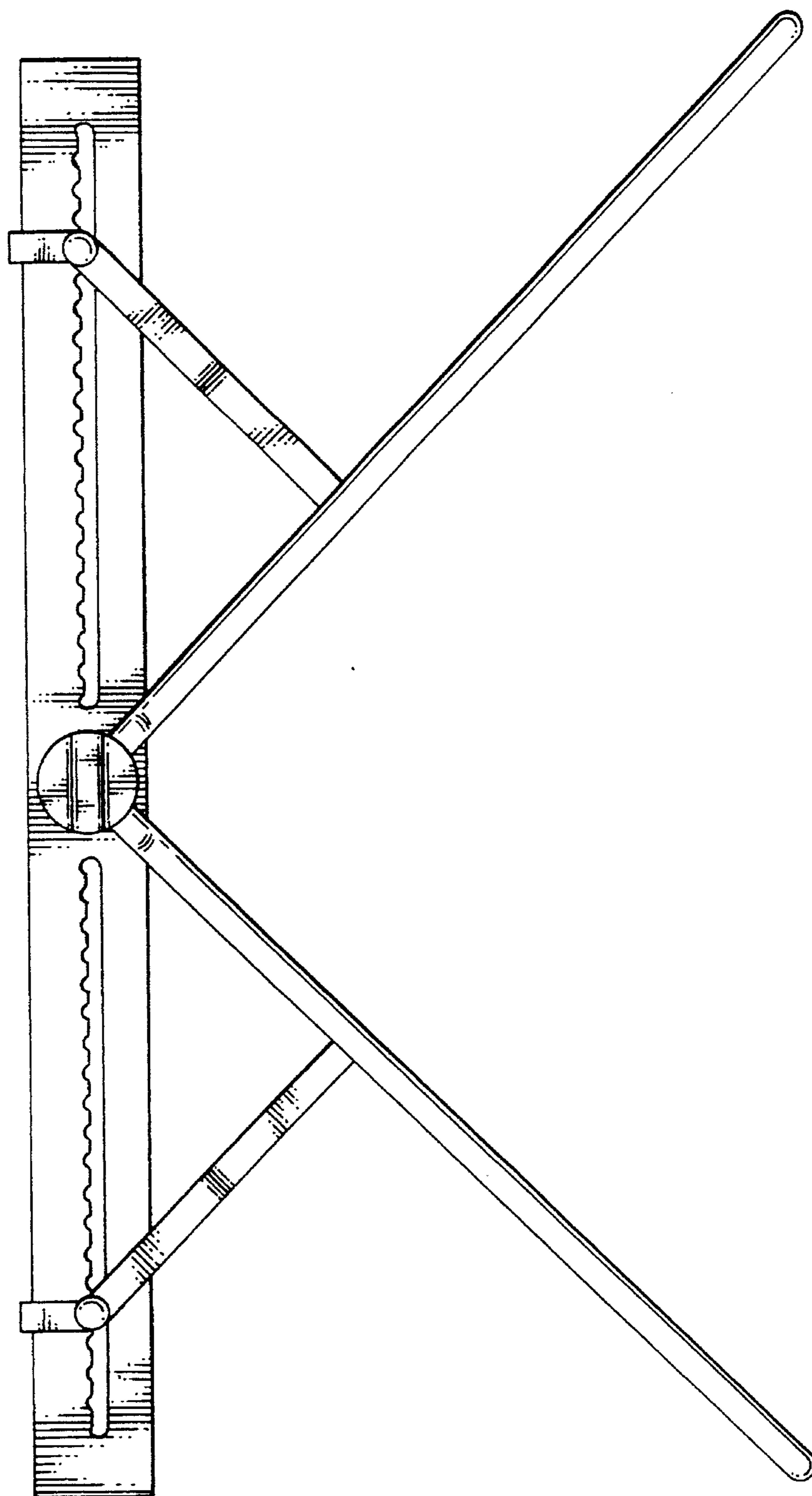
*Fig. 2*



*Fig. 3*



*Fig. 4*



*Fig. 5*

