



US00D370269S

United States Patent [19]
Schafernak

[11] **Patent Number: Des. 370,269**

[45] **Date of Patent: *** May 28, 1996**

- [54] **SUNRISE SMOOTH DOOR DESIGN WITH COLONIST PROFILE**
- [75] Inventor: **Dale E. Schafernak**, Palatine, Ill.
- [73] Assignee: **Masonite Corporation**, Chicago, Ill.
- [*] Notice: The portion of the term of this patent subsequent to Feb. 6, 2010, has been disclaimed.
- [**] Term: **14 Years**
- [21] Appl. No.: **24,725**
- [22] Filed: **Jun. 20, 1994**
- [52] **U.S. Cl.** **D25/48**
- [58] **Field of Search** **D25/48; 52/455, 52/456; 49/503**

“Elite Doors” brochure, apparently published in Oct. 1987.
 Quality Doors© 1988—front cover top and second from right.
 VISADOR—p. 1, cabinet doors at top.
 1981 Sweet’s Catalogue, Section 8.31/MO, p. 3, door in center of page.

Primary Examiner—Doris Clark
Attorney, Agent, or Firm—Marshall, O3 Toole, Gerstein, Murray & Borun

[57] **CLAIM**

The ornamental design for a sunrise smooth door design with colonist profile, as shown and described.

DESCRIPTION

FIG. 1 is a front elevational view the back being a mirror image thereof of a sunrise smooth door design with colonist profile showing my new design;

FIG. 2 is an enlarged fragmentary front view of a portion of the sunrise smooth door design with colonist profile as shown in FIG. 1;

FIG. 3 is a top view the bottom being a mirror image thereof;

FIG. 4 is a cross sectional view through lines 4—4 of FIG. 1 revealing the details of the concave and convex curves in the face of the sunrise smooth door design with colonist profile; and,

FIG. 5 is an enlarged view of the molding located on the outer, right side of the article.

The characteristic feature of the design resides in the unique frame design appearing in FIG. 1 at the outside edges of the upper, arched frame, best shown in detail in FIG. 2.

[56] **References Cited**
U.S. PATENT DOCUMENTS

D. 222,775	12/1971	Satori et al.	D33/1
D. 245,824	9/1977	Palka	D6/193
D. 266,720	11/1982	Moore et al.	D6/192
D. 304,983	12/1989	Palka	D6/492
D. 314,625	2/1991	Hall	D25/48
3,121,263	2/1964	Binner	52/455
3,512,304	5/1970	Meuret	49/501
3,533,190	10/1970	Hilfinger et al.	49/501
3,546,841	12/1970	Smith et al.	52/309
4,441,296	4/1984	Grabendike et al.	52/456
4,579,613	4/1986	Belanger	156/78
4,853,062	8/1989	Gartland	156/219
4,876,838	10/1989	Hagemeyer	52/455
5,016,414	5/1991	Wang	42/456
5,074,092	12/1991	Norlander	52/455

OTHER PUBLICATIONS

1981 Sweet’s Catalog, section 83/SD, p. 7 first col. from left of page, second row, door labeled SD-319.
 “Masonite® Brand Door Facings” brochure, published in 1987.

1 Claim, 3 Drawing Sheets

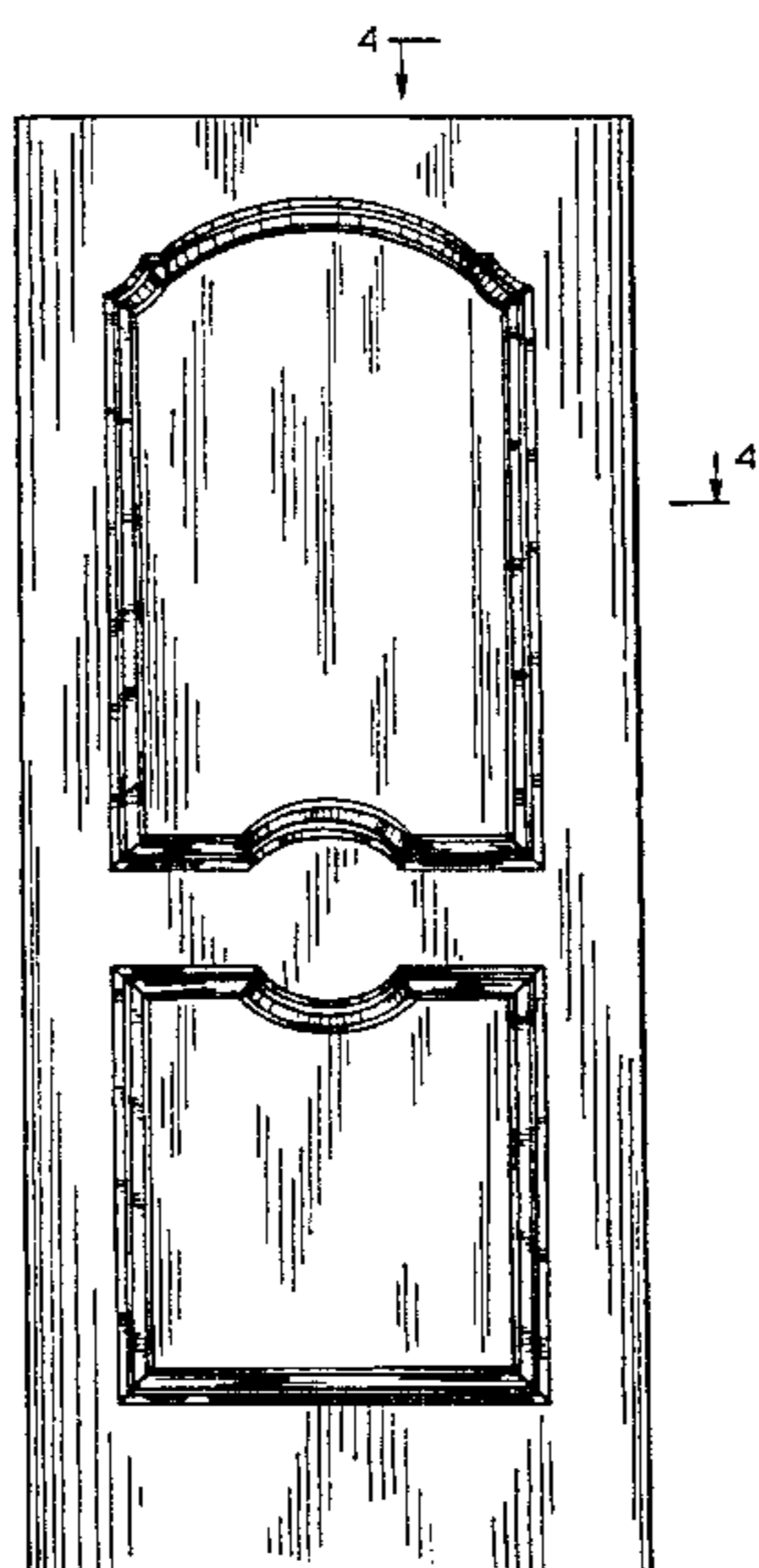


FIG. 1

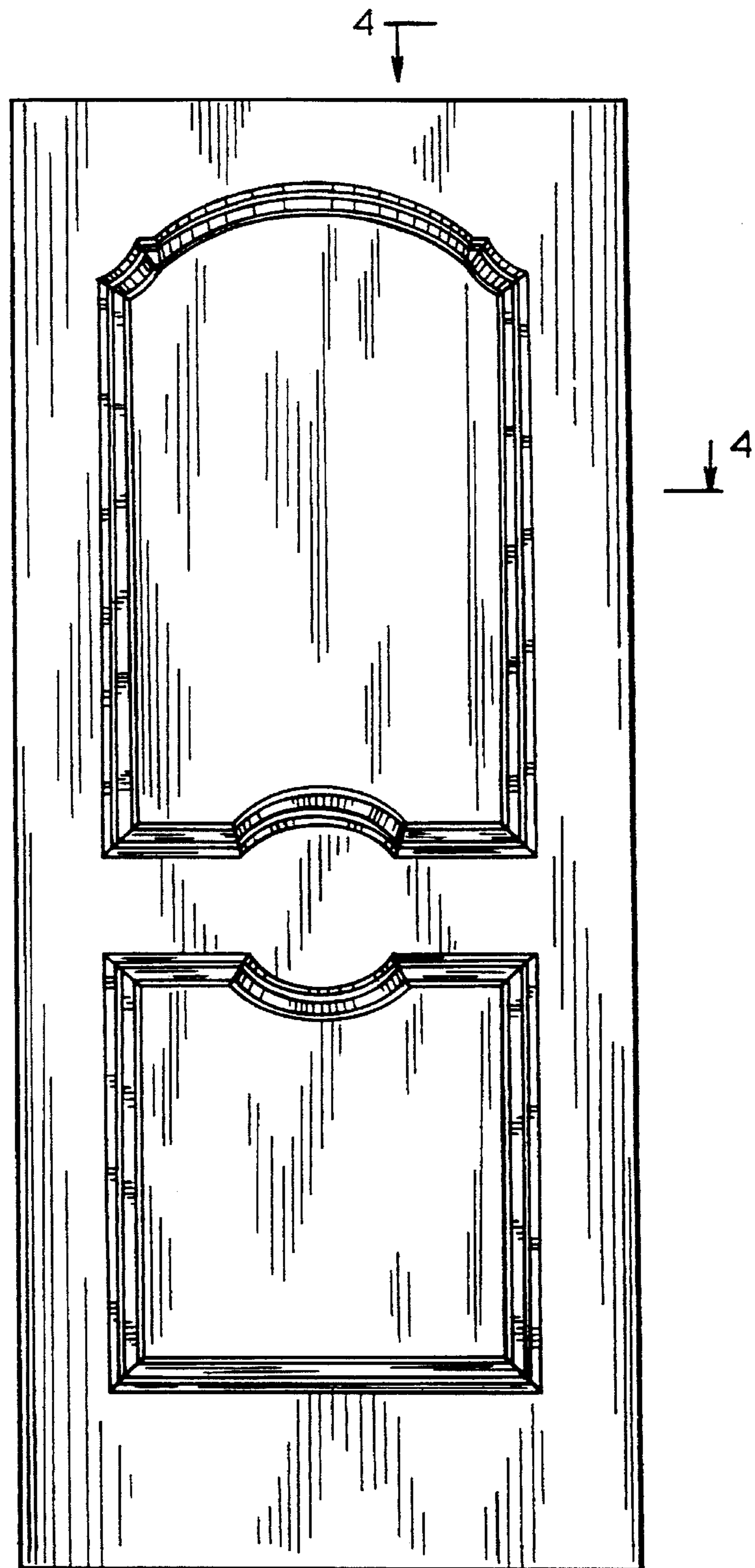


FIG. 2

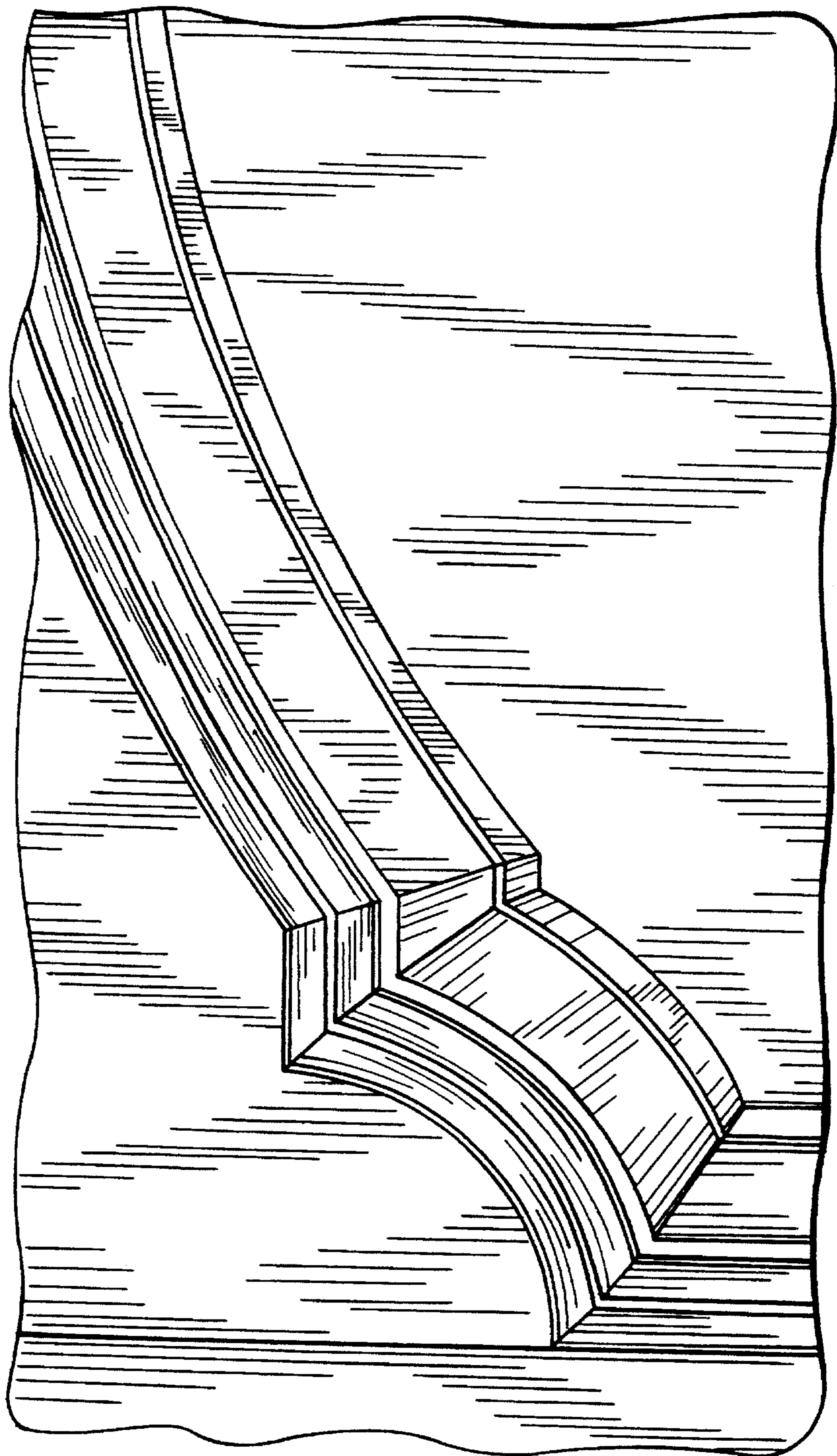


FIG. 3



FIG. 4

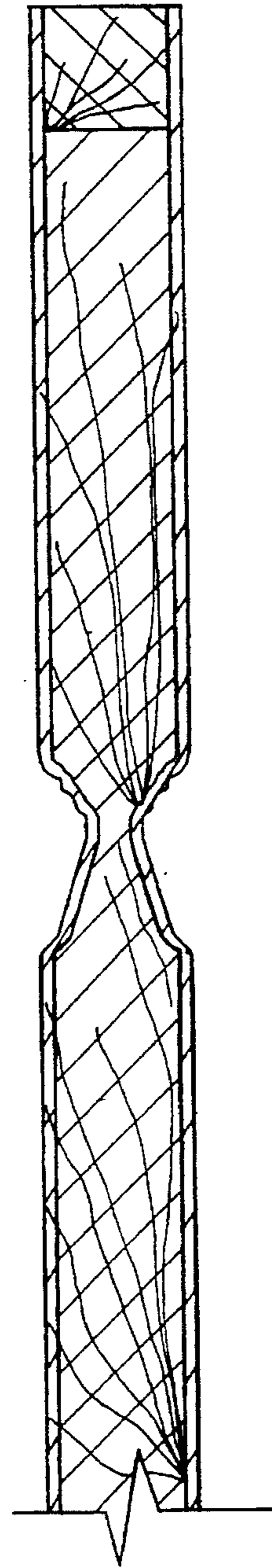


FIG. 5



UNITED STATES PATENT AND TRADEMARK OFFICE
CERTIFICATE OF CORRECTION

PATENT NO. : DES 370,269
DATED : May 28, 1996
INVENTOR : Dale E. Schafernak

It is certified that error appears in the above-identified patent and that said Letters Patent is hereby corrected as shown below:

Cover page, column 2, under DESCRIPTION, paragraph 4, line 4, after "and" delete ",".

Cover page, column 2, under DESCRIPTION, paragraph 5, after "right side of the article" insert -- in FIG. 4 --.

Signed and Sealed this
Eleventh Day of February, 1997



Attest:

BRUCE LEHMAN

Attesting Officer

Commissioner of Patents and Trademarks