



US00D370265S

United States Patent [19]
Edwards

[11] **Patent Number: Des. 370,265**

[45] **Date of Patent: **May 28, 1996**

[54] **PORTABLE BUILDING**

[76] Inventor: **Terrence W. Edwards**, 77 Pukaki Street, Mangere, Auckland, New Zealand

[**] Term: **14 Years**

[21] Appl. No.: **22,634**

[22] Filed: **May 9, 1994**

[30] **Foreign Application Priority Data**

Nov. 29, 1993 [NZ] New Zealand 25600

[52] **U.S. Cl.** **D25/19; D25/18; D25/32**

[58] **Field of Search** **D25/1, 3, 4, 6, D25/7, 8, 9, 10, 11, 14, 16, 18, 19, 22, 26, 29, 31, 32, 35, 199; D21/114, 119, 253; 135/127**

[56] **References Cited**

U.S. PATENT DOCUMENTS

D. 49,879 11/1916 Cove D21/119

D. 66,626 2/1925 Fraser D21/119
D. 79,323 9/1929 Cambern D25/7 X
D. 82,587 11/1930 Scheibe D21/119
D. 209,191 11/1967 De Sieno D25/7 X
D. 311,566 10/1990 Ciganko D21/114

Primary Examiner—Louis S. Zarfes
Assistant Examiner—Monica A. Hannon
Attorney, Agent, or Firm—Barnes & Thornburg

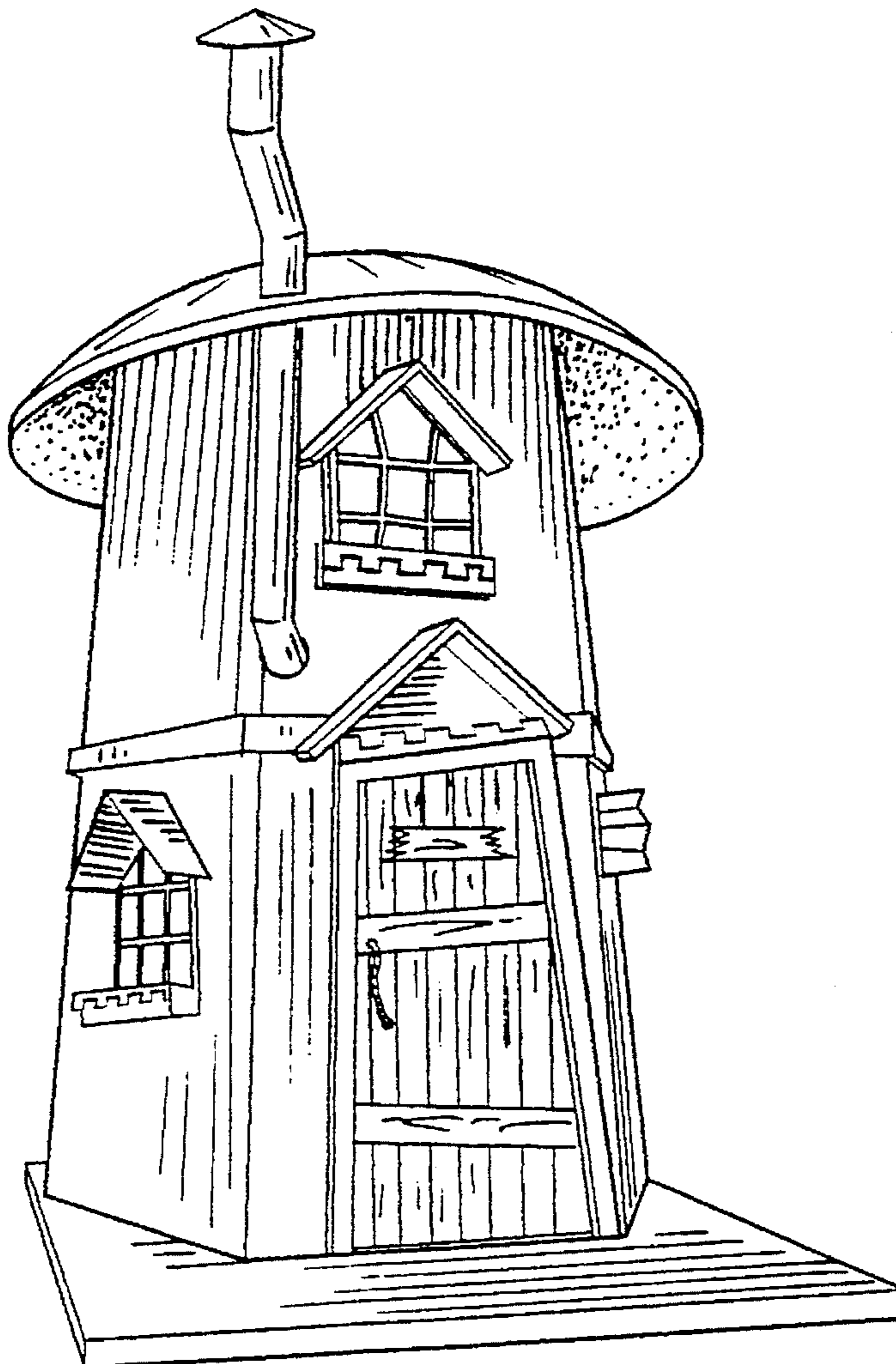
[57] **CLAIM**

The ornamental design for the portable building, as shown and described.

DESCRIPTION

FIG. 1 is a plan view of the portable building showing my new design;
FIG. 2 is a frontal perspective view thereof;
FIG. 3 is a frontal view thereof;
FIG. 4 is a side view of one first side thereof;
FIG. 5 is a rear view thereof; and,
FIG. 6 is a side view of a second side thereof.

1 Claim, 3 Drawing Sheets



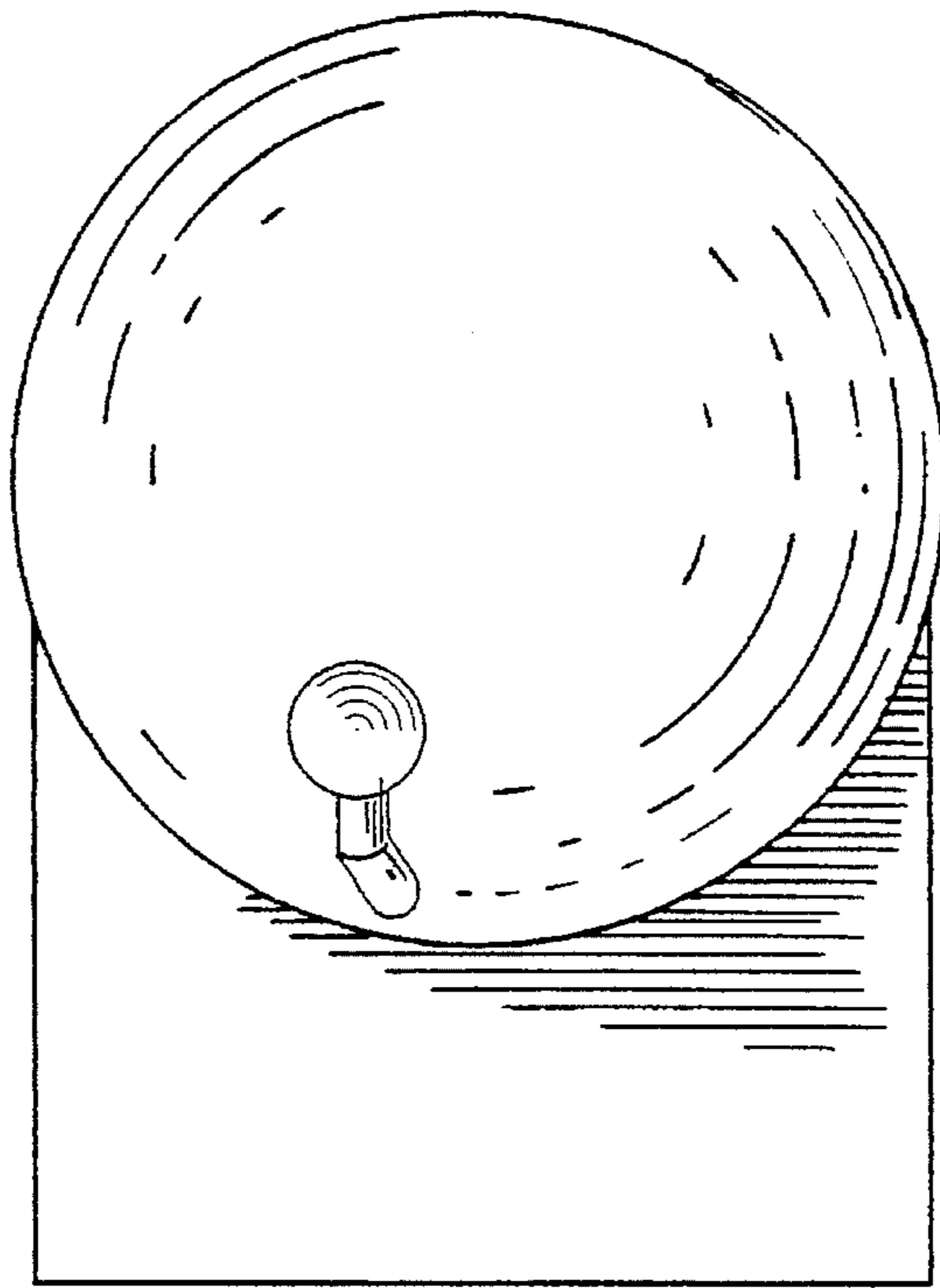


FIG. 1.



FIG. 2.

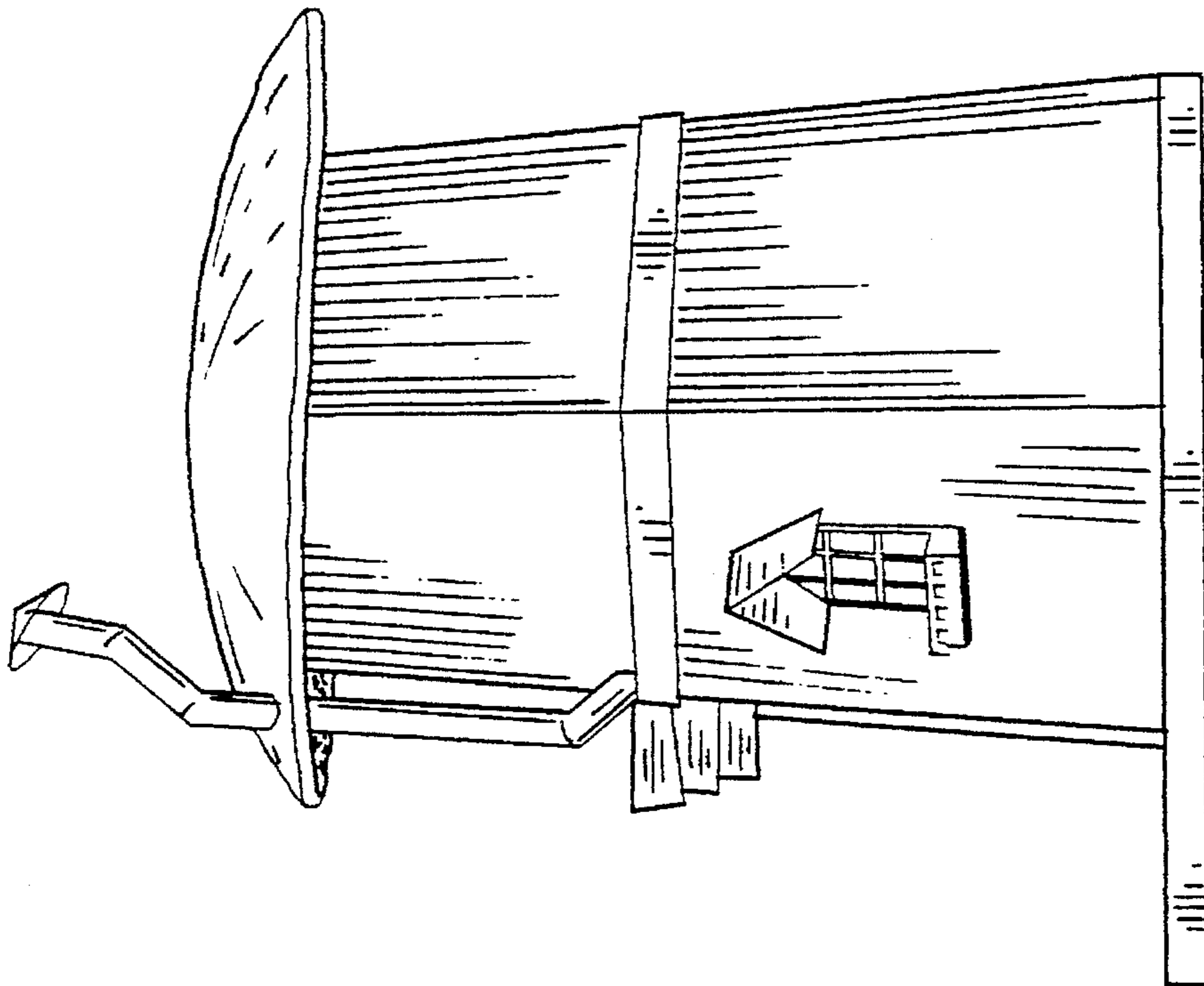


FIG. 4.

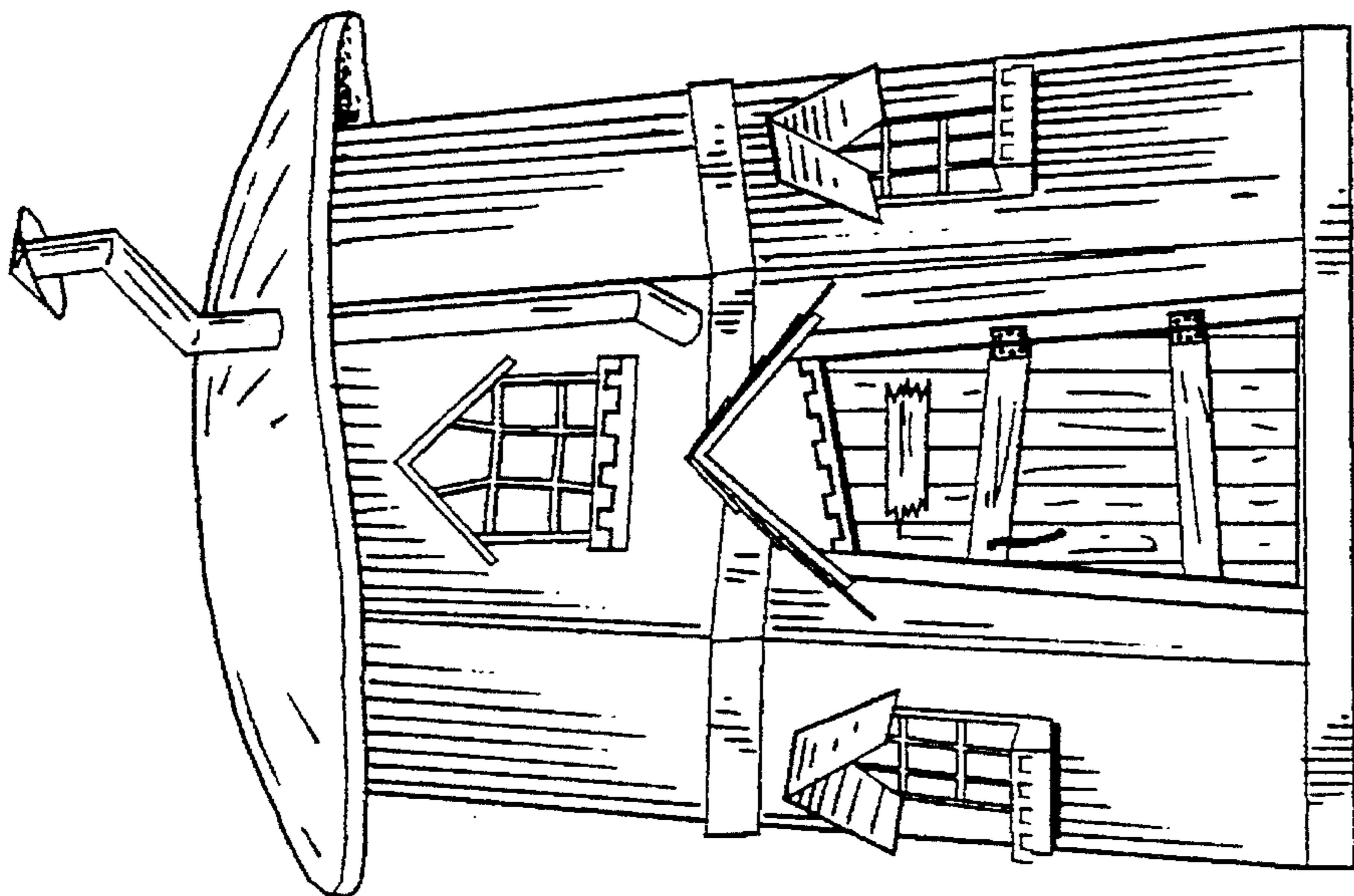


FIG. 3.

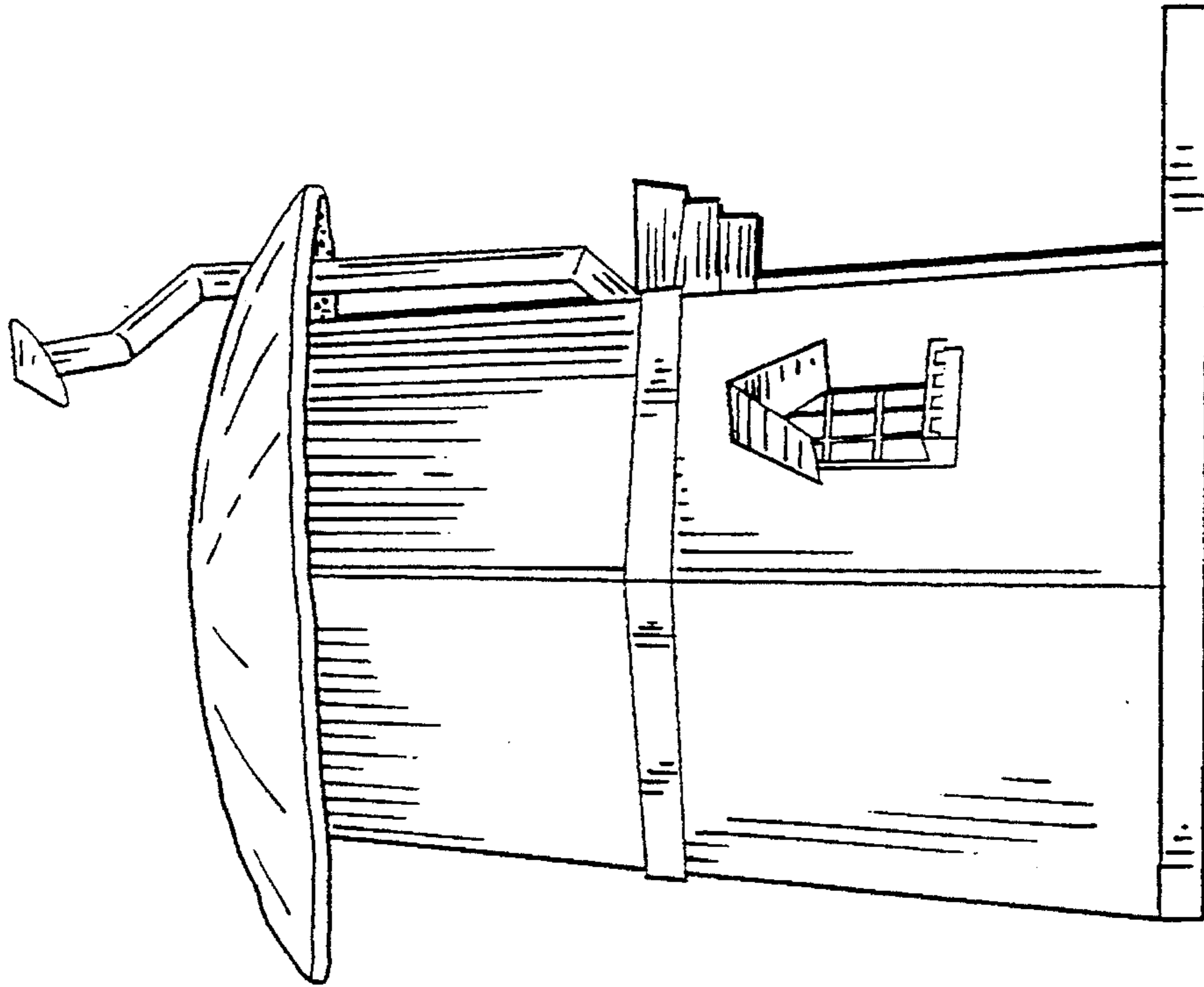


FIG. 5.

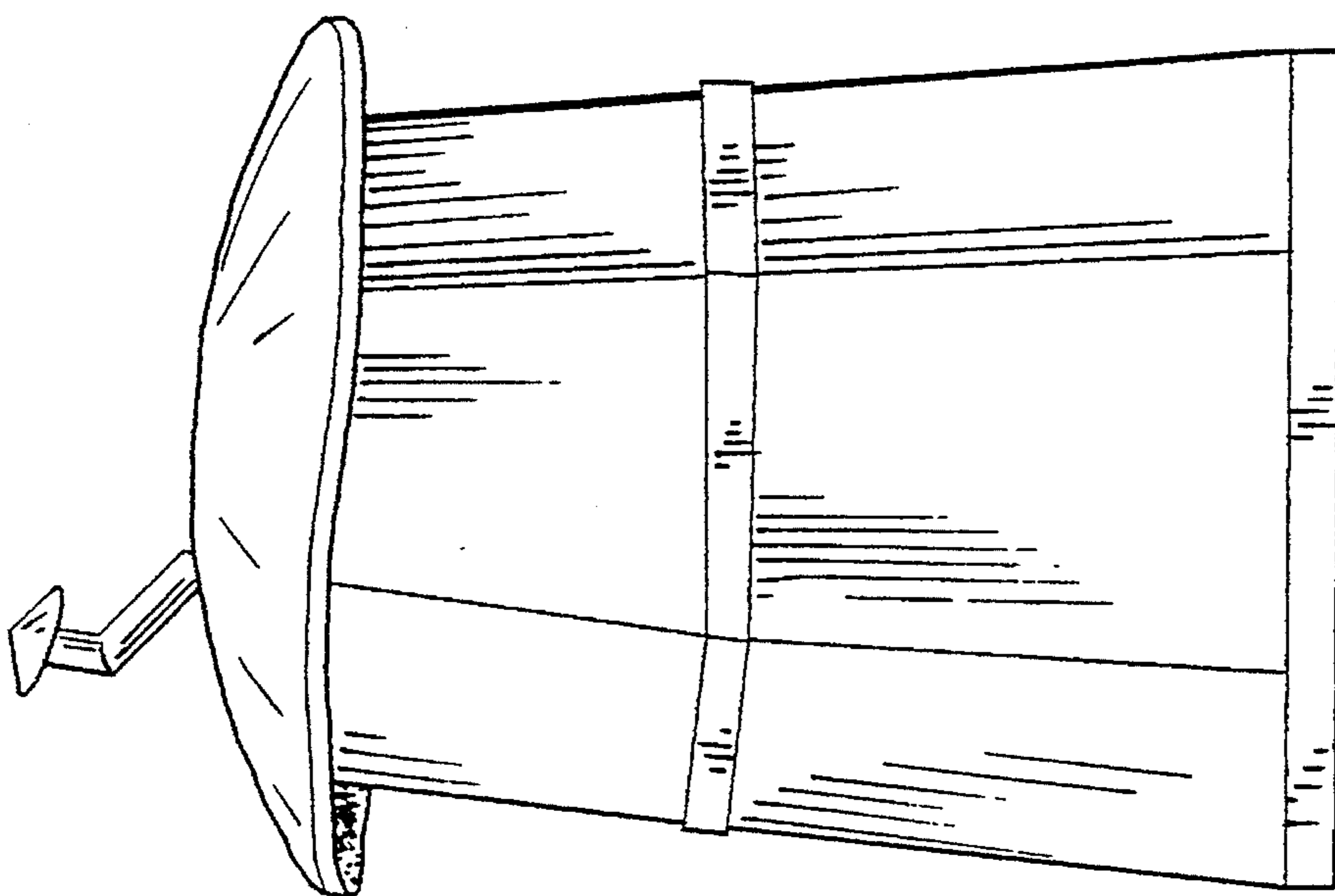


FIG. 6.