



US00D370258S

United States Patent [19]

[11] Patent Number: **Des. 370,258**

Newman

[45] Date of Patent: ****May 28, 1996**

[54] **COMBINED SURGICAL TUBE AND CABLE SECURING TAPE**

5,098,399 3/1992 Tollini D24/128
5,266,401 11/1993 Tollini 128/DIG. 26 X
5,304,146 4/1994 Johnson et al. 604/180

[75] Inventor: **Charles L. Newman**, West Lakeland Township, Minn.

FOREIGN PATENT DOCUMENTS

2251796 7/1992 United Kingdom 128/DIG. 26

[73] Assignee: **Minnesota Mining and Manufacturing Company**, St. Paul, Minn.

Primary Examiner—Louis S. Zarfes

Assistant Examiner—I. Simmons

Attorney, Agent, or Firm—Gary L. Griswold; Walter N. Kim; F. Andrew Ubel

[**] Term: **14 Years**

[57] CLAIM

[21] Appl. No.: **19,817**

The ornamental design for a combined surgical tube and cable securing tape, as shown and described.

[22] Filed: **Mar. 10, 1994**

[52] U.S. Cl. **D24/128**

DESCRIPTION

[58] **Field of Search** D24/130, 127, D24/128, 129; 128/DIG. 26, 174, 179, 180, 877, 878, 870, 879; 604/304, 307, 308

FIG. 1 is a perspective view of a combined surgical tube and cable securing tape showing my new design;

FIG. 2 is a top view thereof;

FIG. 3 is a left side view thereof, the right side view being a mirror image thereof;

FIG. 4 is a first end view thereof, the second end view being a mirror image thereof;

FIG. 5 is a bottom view thereof; and,

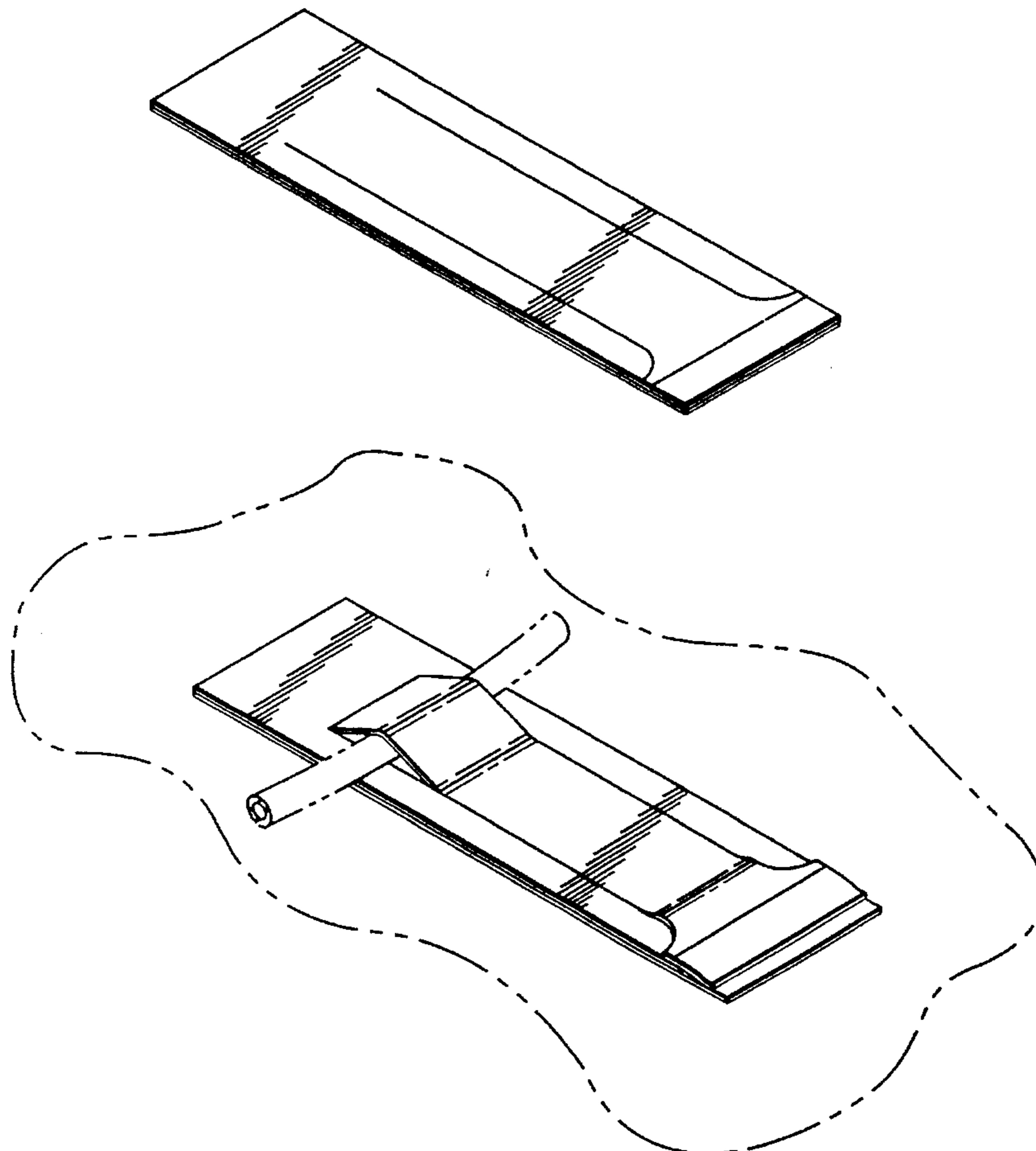
FIG. 6 is a perspective view thereof shown in use, the broken line showing of the tube and surface is for illustrative purposes only and forms no part of the claimed design.

[56] References Cited

U.S. PATENT DOCUMENTS

D. 256,162 7/1980 Haerr et al. D24/128
4,122,857 10/1978 Haerr 128/DIG. 26 X
4,614,183 9/1986 McCracken et al. 604/180 X
4,678,462 7/1987 Vaillancourt 128/DIG. 26 X
5,038,778 8/1991 Lott 128/DIG. 26 X

1 Claim, 2 Drawing Sheets



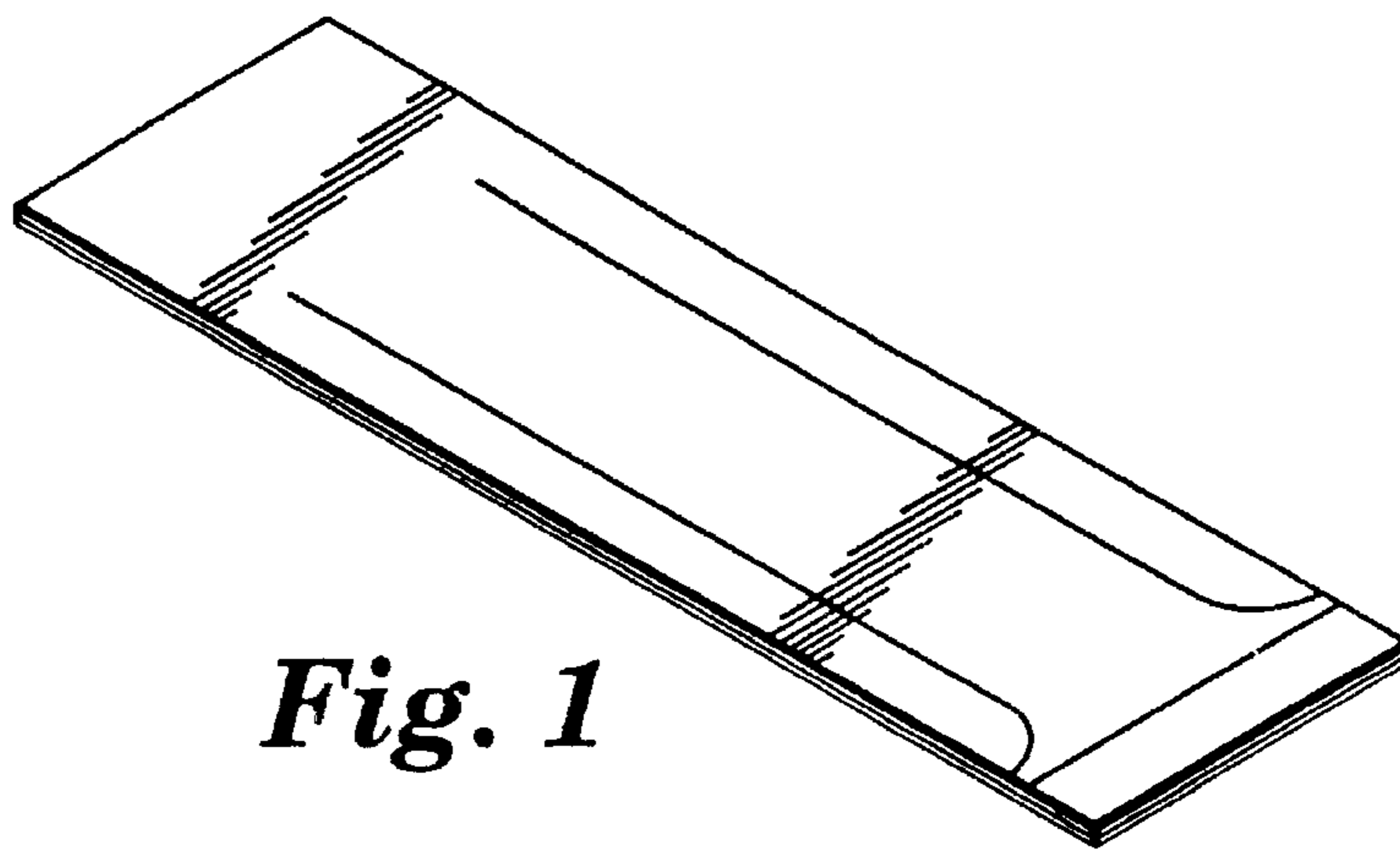


Fig. 1

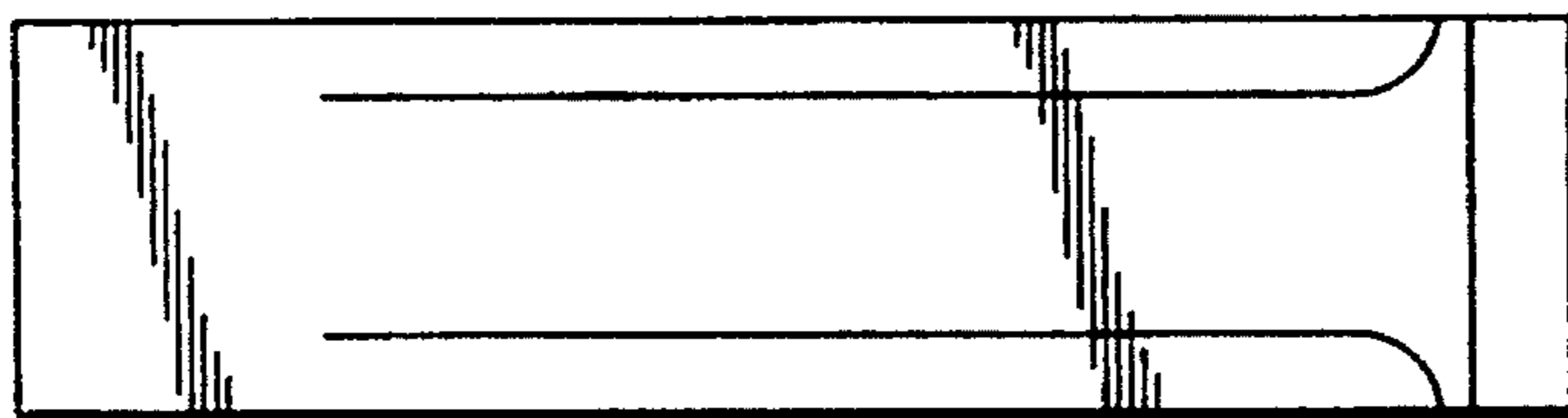


Fig. 2



Fig. 4



Fig. 3

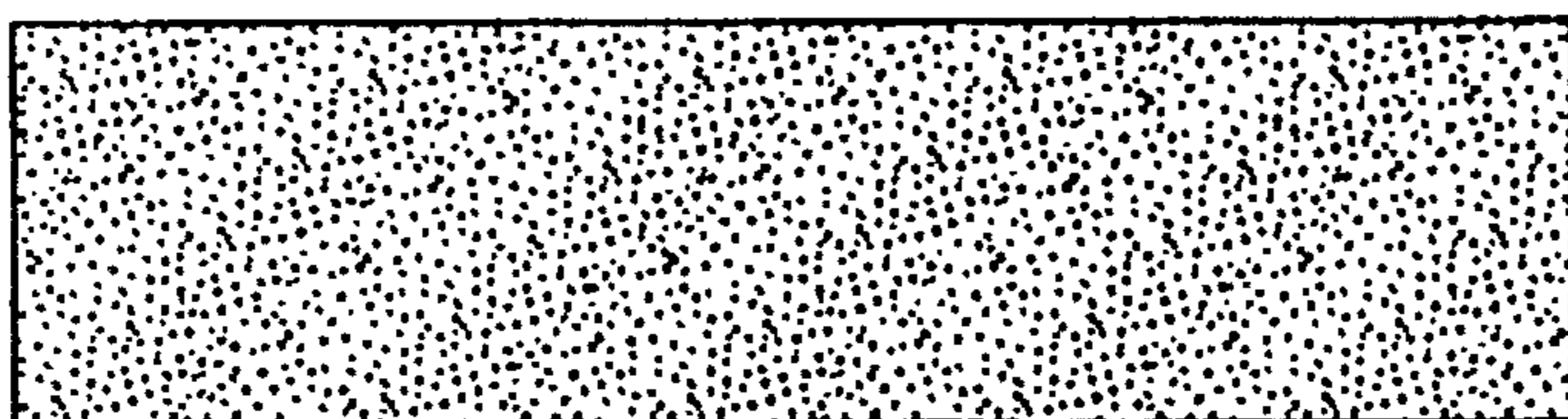


Fig. 5

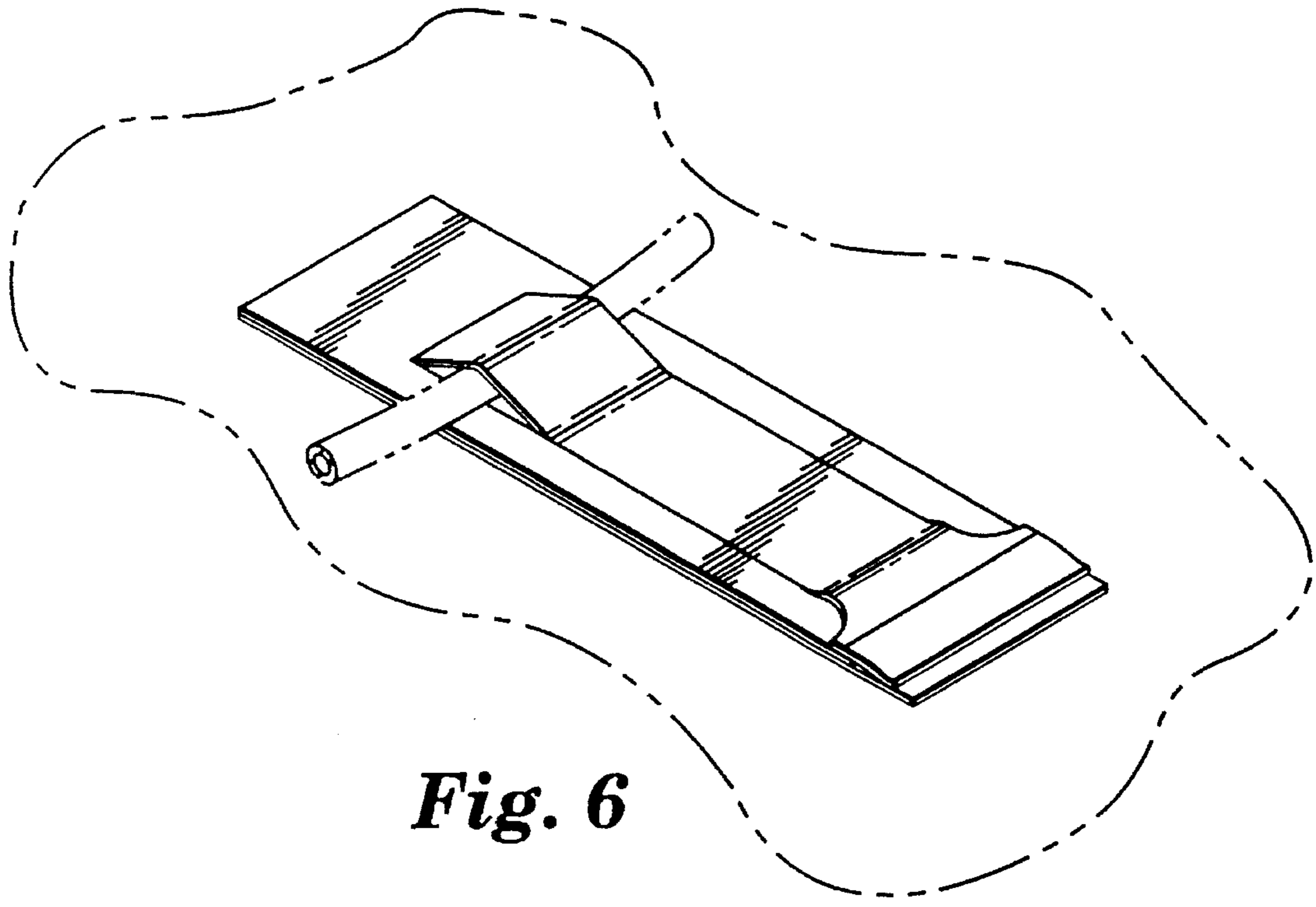


Fig. 6