



US00D370256S

United States Patent [19]
Kurokawa

[11] **Patent Number: Des. 370,256**

[45] **Date of Patent: **May 28, 1996**

[54] **SELF CONTAINED BREATHING TANK**

Attorney, Agent, or Firm—Darby & Darby

[75] Inventor: **Masayuki Kurokawa**, Tokyo, Japan

[57] **CLAIM**

[73] Assignee: **Grand Bleu International, Inc.**, New York, N.Y.

The ornamental design for a self contained breathing tank, as shown and described.

[**] Term: **14 Years**

DESCRIPTION

[21] Appl. No.: **21,576**

[22] Filed: **Apr. 20, 1994**

[52] U.S. Cl. **D24/110.5**

[58] Field of Search D24/110, 110.5,
D24/110.6; 128/205.25, 205.26, 205.27,
205.28, 205.29, 206.15, 205.17, 206.21,
207.12

FIG. 1 is a top left perspective view of a preferred embodiment of the self contained breathing tank;

FIG. 2 is a top plan view thereof;

FIG. 3 is a bottom plan view thereof;

FIG. 4 is a left side elevational view thereof;

FIG. 5 is a front elevational view thereof; and,

FIG. 6 is a rear elevational view thereof.

The broken line showing the regulator and tube of FIGS. 1 through 6 is for illustrative purposes only and forms no part of the claimed design.

[56] **References Cited**

U.S. PATENT DOCUMENTS

D. 218,502 8/1970 Lansdale D24/110
2,975,439 3/1961 Bentley D24/110.5 X

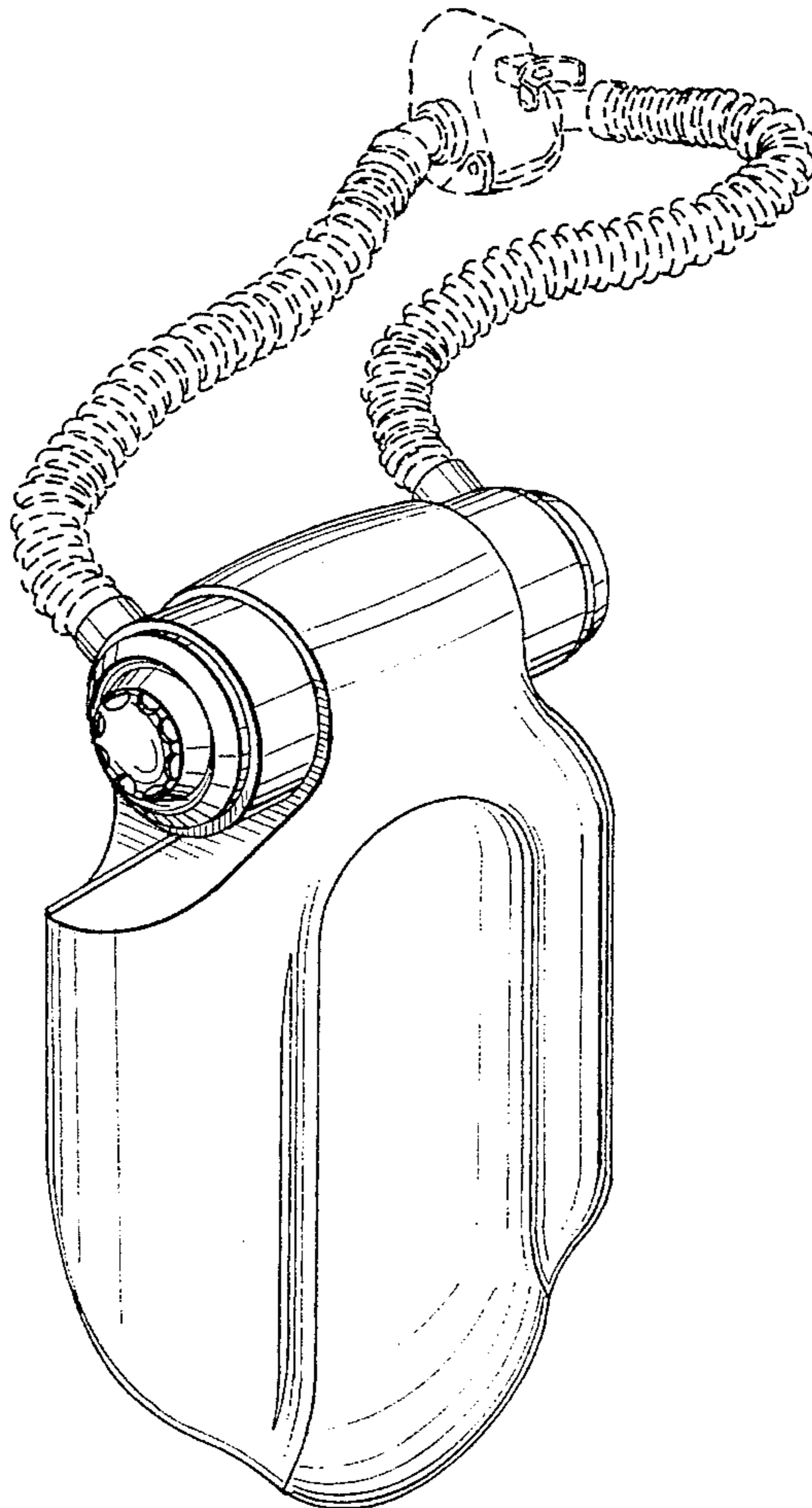
OTHER PUBLICATIONS

Skin Diver Magazine Ad. "Divers Supply" ©1993.

Primary Examiner—Louis S. Zarfaz

Assistant Examiner—I. Simmons

1 Claim, 4 Drawing Sheets



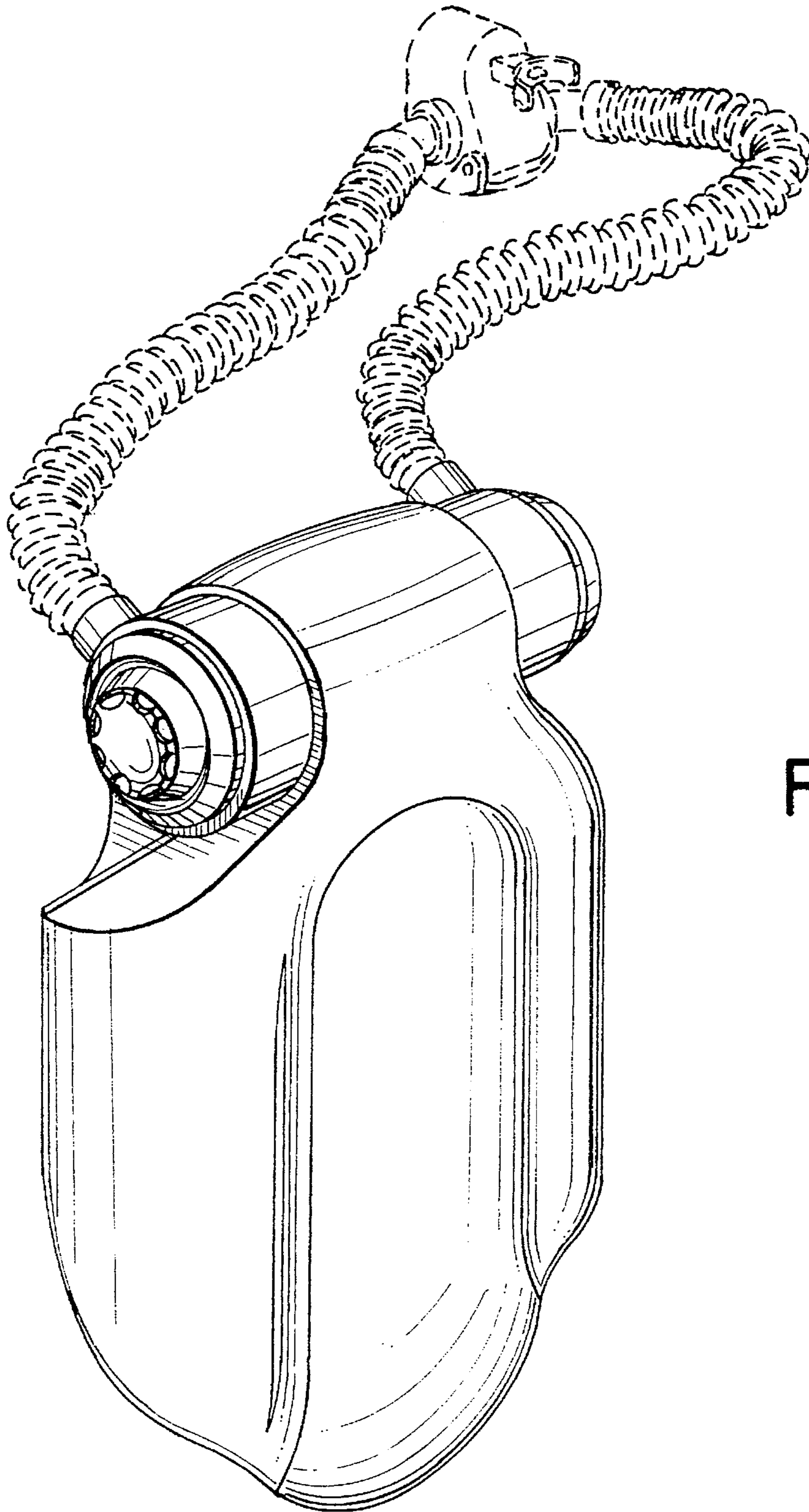


FIG. 1

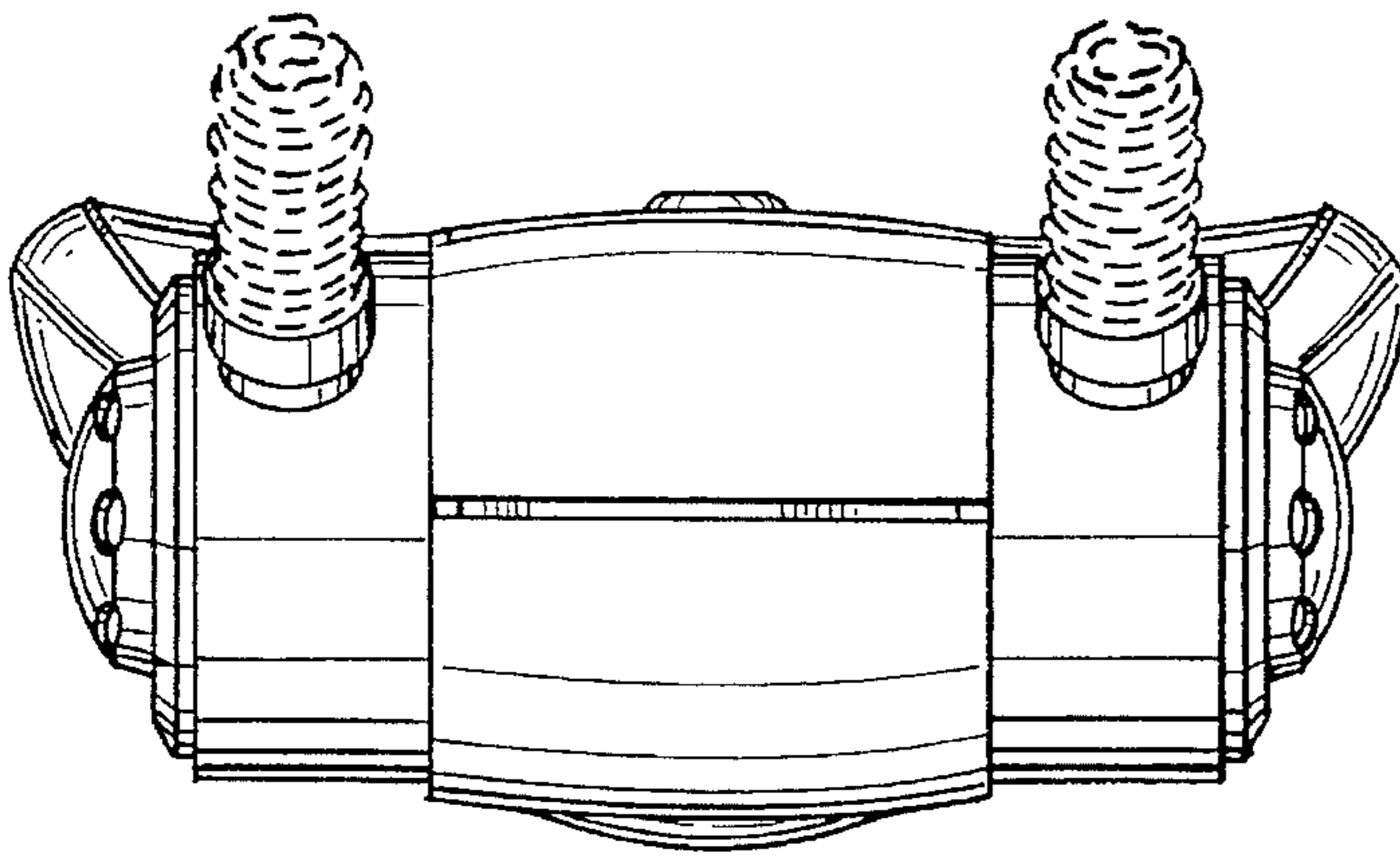


FIG. 2

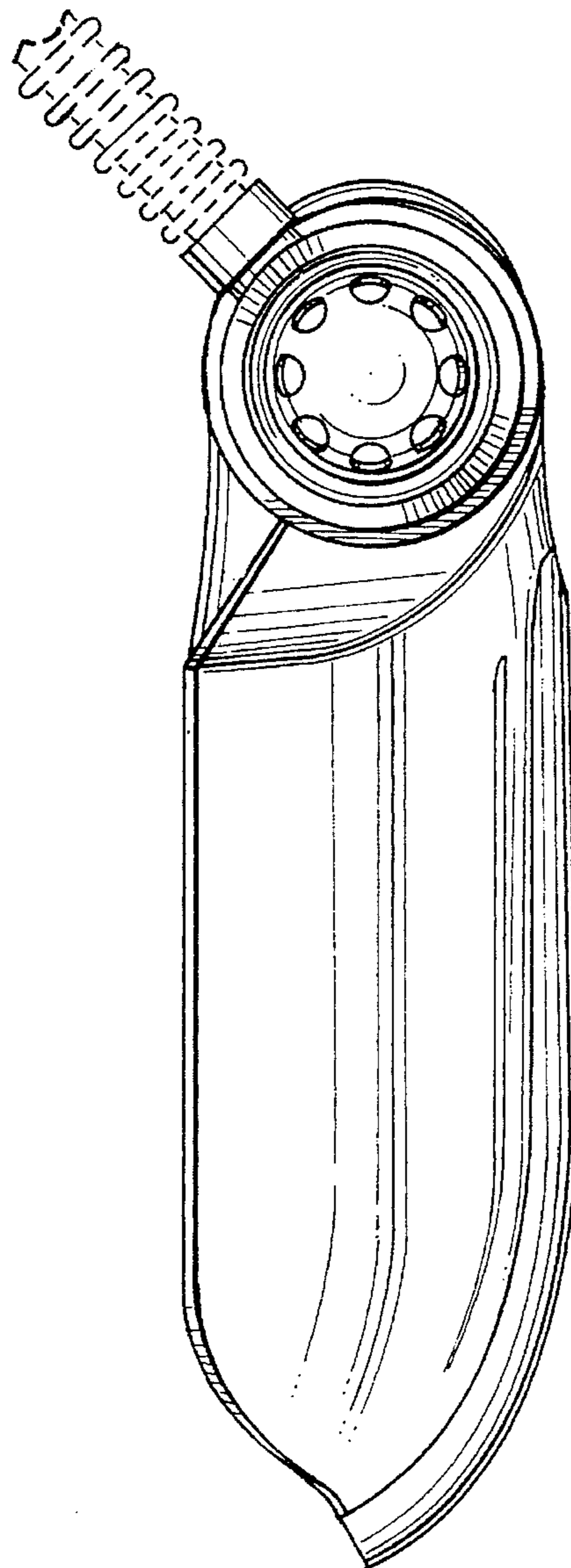


FIG. 4

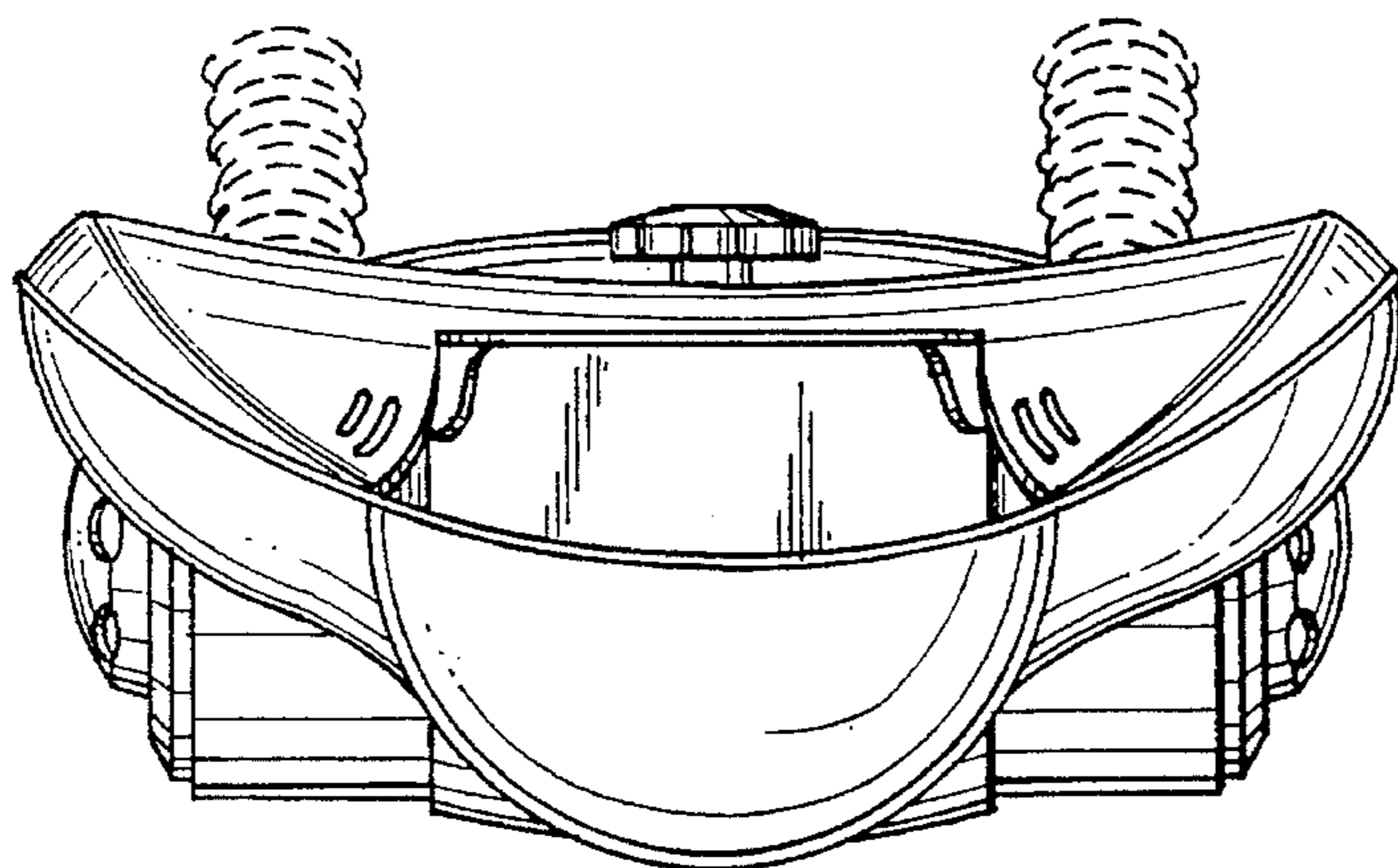


FIG. 3

FIG. 5

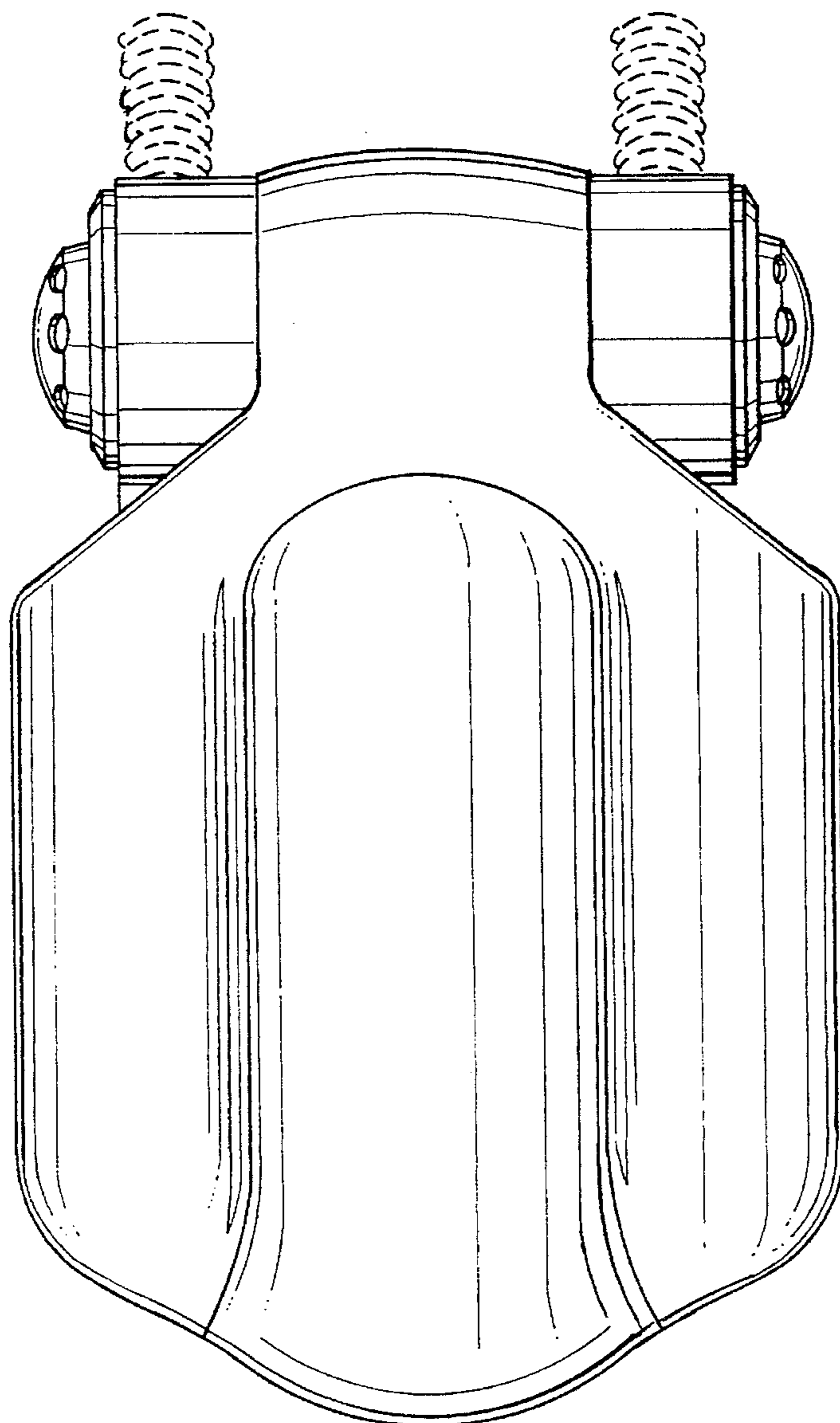


FIG. 6

