



US00D370252S

United States Patent [19] Hulsebus

[11] Patent Number: Des. 370,252

[45] Date of Patent: **May 28, 1996

[54] TOILET SEAT HINGE

[75] Inventor: Randy K. Hulsebus, Plymouth, Wis.

[73] Assignee: Bemis Manufacturing Company,
Sheboygan Falls, Wis.

[**] Term: 14 Years

[21] Appl. No.: 34,444

[22] Filed: Feb. 6, 1995

[52] U.S. Cl. D23/303

[58] Field of Search D23/303, 311;
D8/326, 234, 236, 240, 241; 16/290; 49/386

[56] References Cited

U.S. PATENT DOCUMENTS

2,366,762	1/1945	Watson	4/236
3,526,907	9/1970	Stairs	4/236
3,590,401	7/1971	Brown	4/236
3,665,552	5/1972	Toldo et al.	16/148
3,768,117	10/1973	Toldo et al.	16/148
4,148,104	4/1979	Ginsburg	4/240
4,319,365	3/1982	Bemis et al.	4/236
4,395,784	8/1983	Foster	4/240 X
4,398,307	8/1983	Ginsburg et al.	4/240 X
4,467,481	8/1984	Ginsburg	4/240
4,729,134	3/1988	Hillebrand et al.	4/236
4,974,262	12/1990	Rosen	4/240 X

Primary Examiner—Stella Reid
Assistant Examiner—E. Watterson

Attorney, Agent, or Firm—Michael, Best & Friedrich

[57] CLAIM

The ornamental design for a toilet seat hinge, as shown and described.

DESCRIPTION

FIG. 1 is a rear perspective view of the toilet seat hinge showing my new design, the upper leaf of the toilet seat hinge being in a closed position;

FIG. 2 is a front perspective view thereof, the upper leaf of the toilet seat hinge being in the closed position;

FIG. 3 is a front perspective view thereof, the upper leaf of the toilet seat hinge being in an open position;

FIG. 4 is a top plan view thereof, the upper leaf being in the closed position;

FIG. 5 is a left side elevational view thereof, the upper leaf being in the closed position, the right side elevational view being a mirror image;

FIG. 6 is a bottom plan view thereof, the upper leaf being in the closed position;

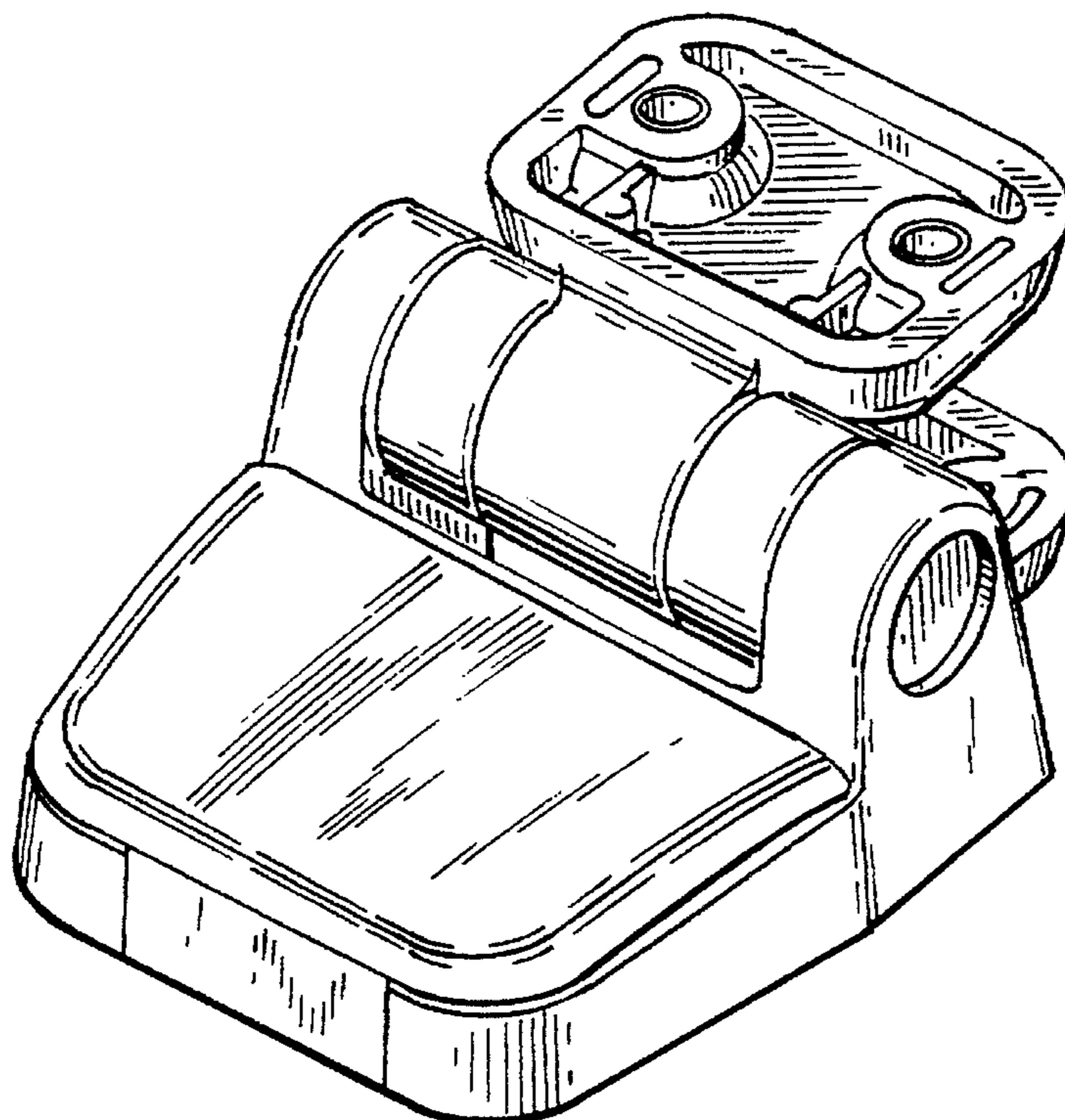
FIG. 7 is a rear elevational view thereof, the upper leaf being in the closed position;

FIG. 8 is a front elevational view thereof, the upper leaf being in the closed position;

FIG. 9 is a partial view thereof, taken in the direction of line 9—9 as seen in FIG. 5; and,

FIG. 10 is a partial view thereof, taken in the direction of line 10—10 as seen in FIG. 5.

1 Claim, 3 Drawing Sheets



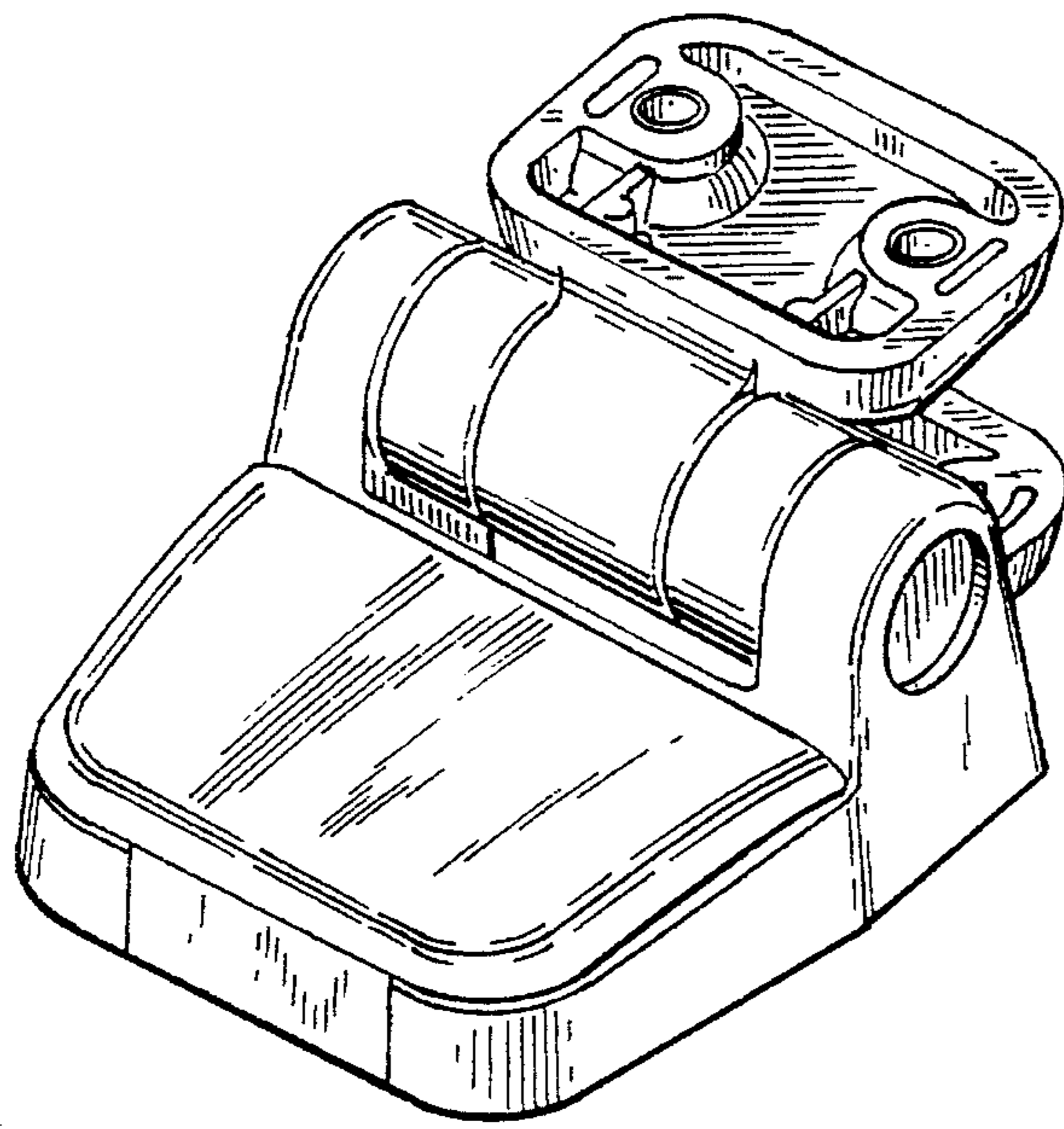


Fig. 1

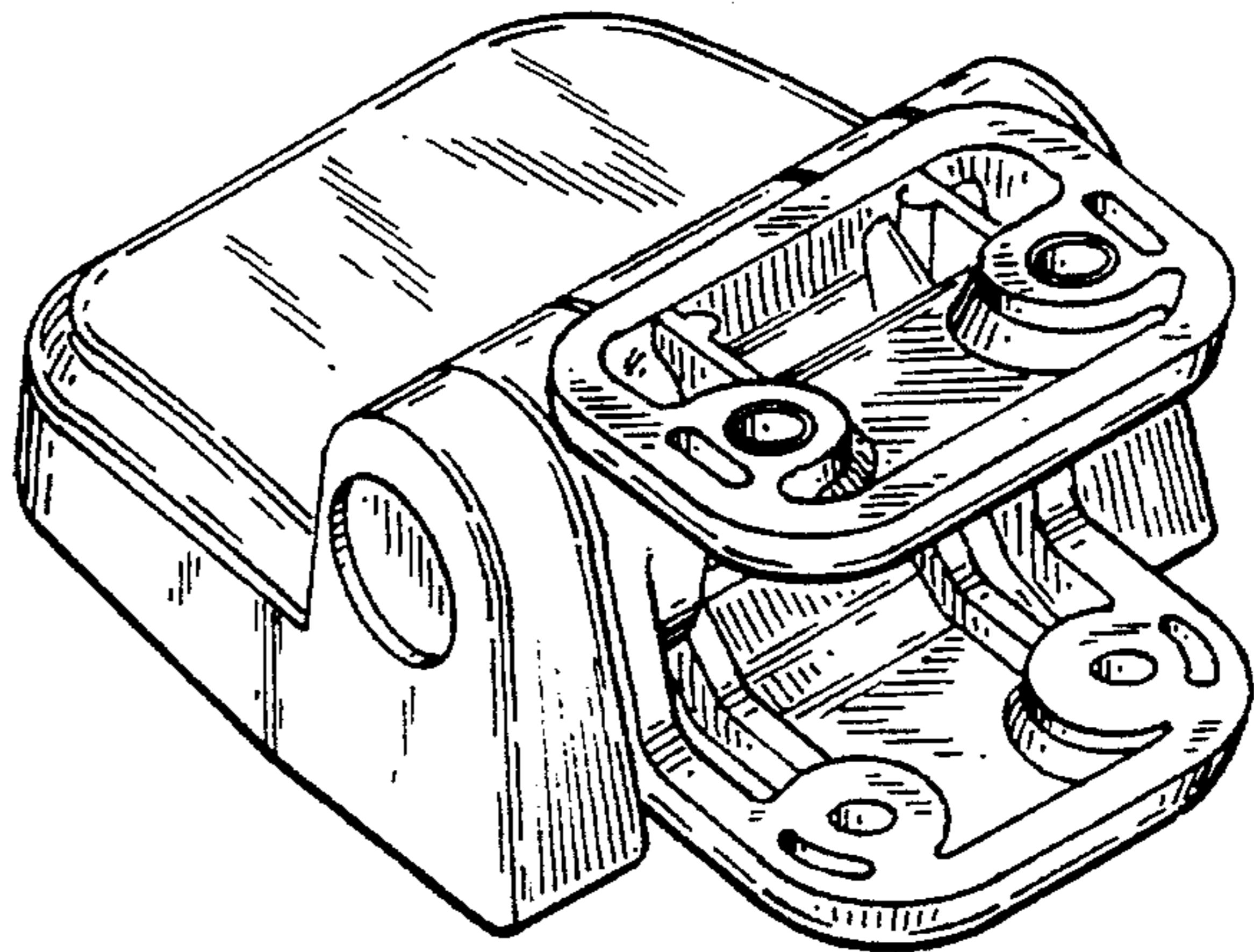


Fig. 2

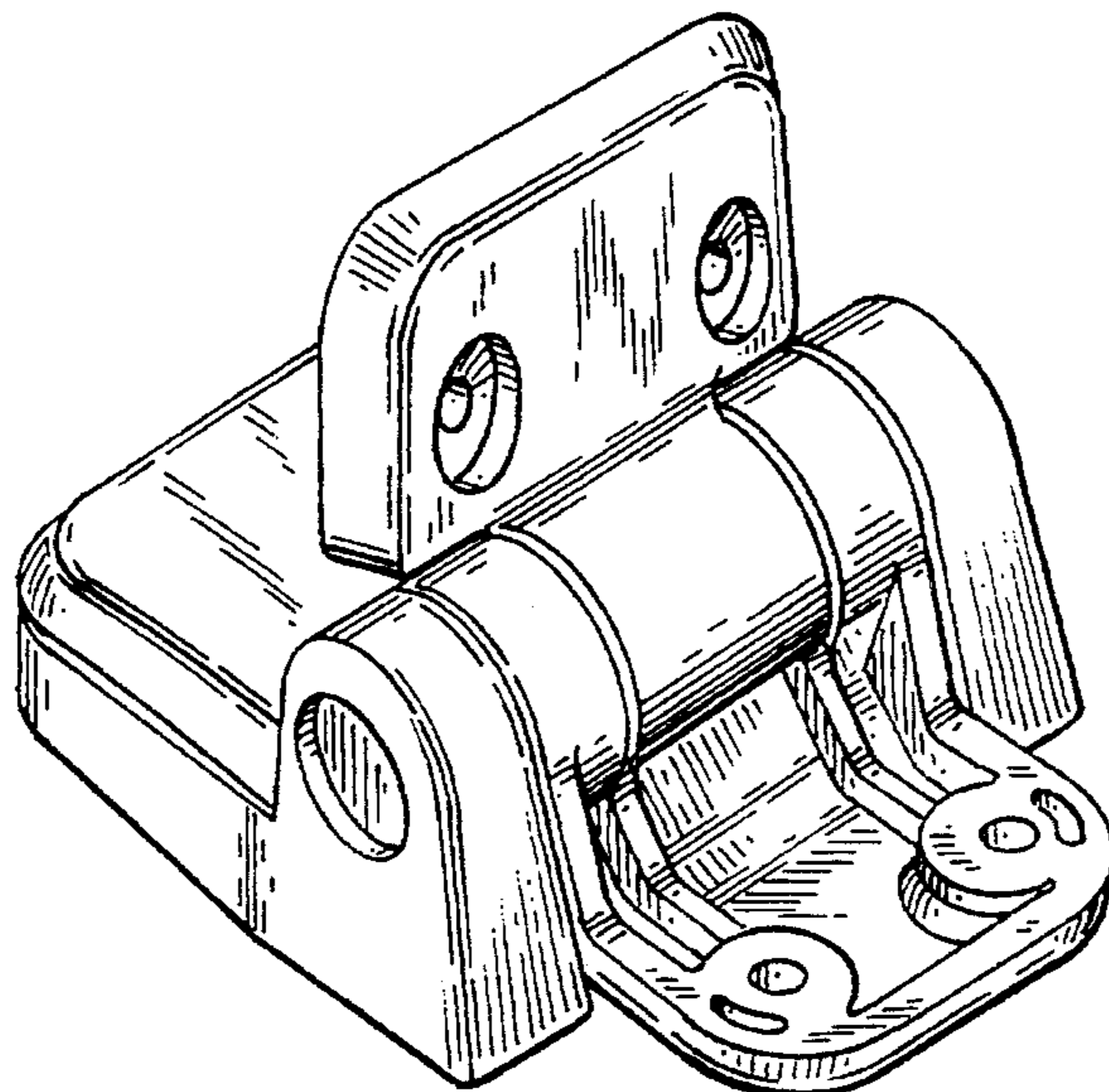


Fig. 3

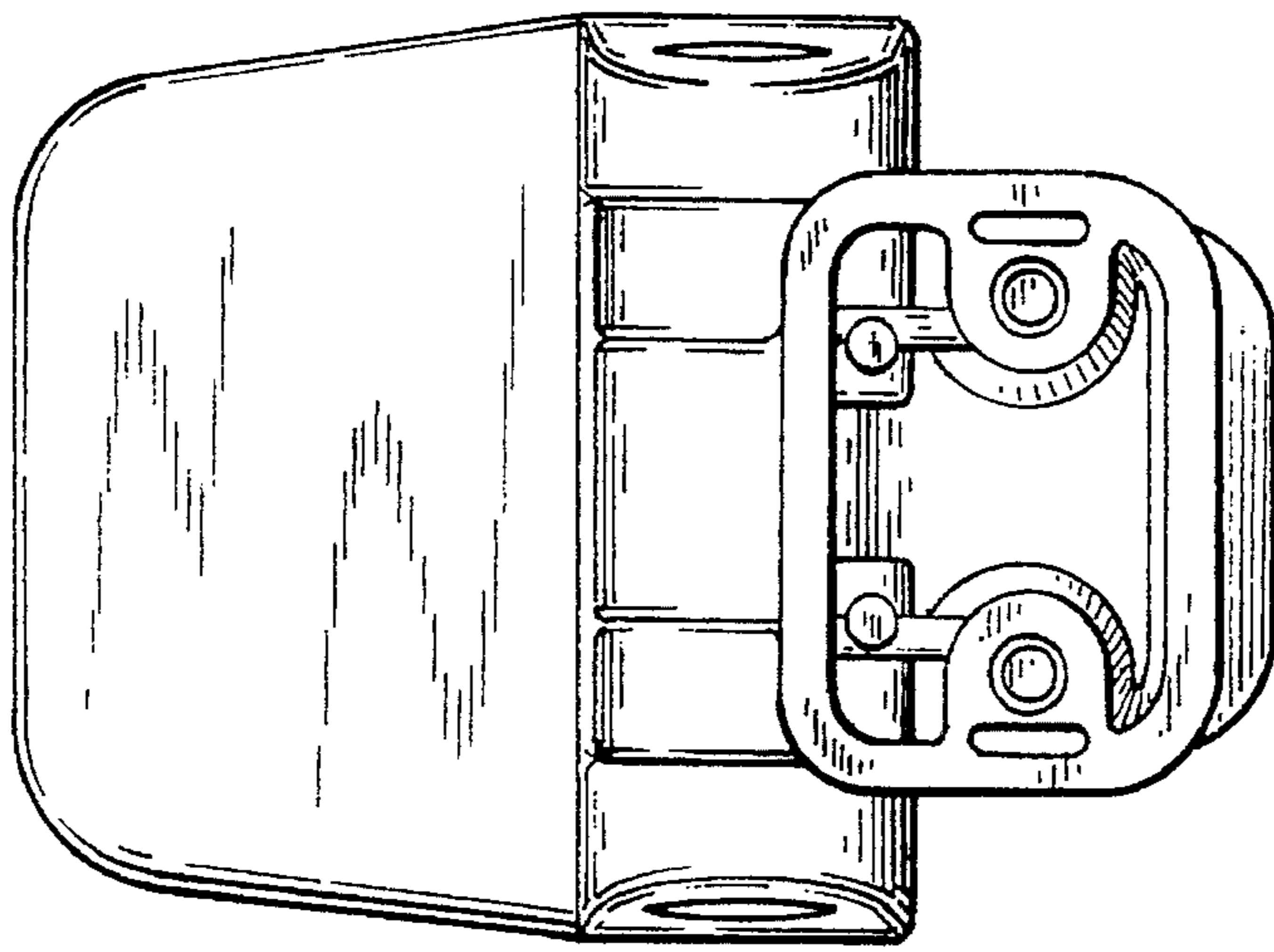


Fig. 4

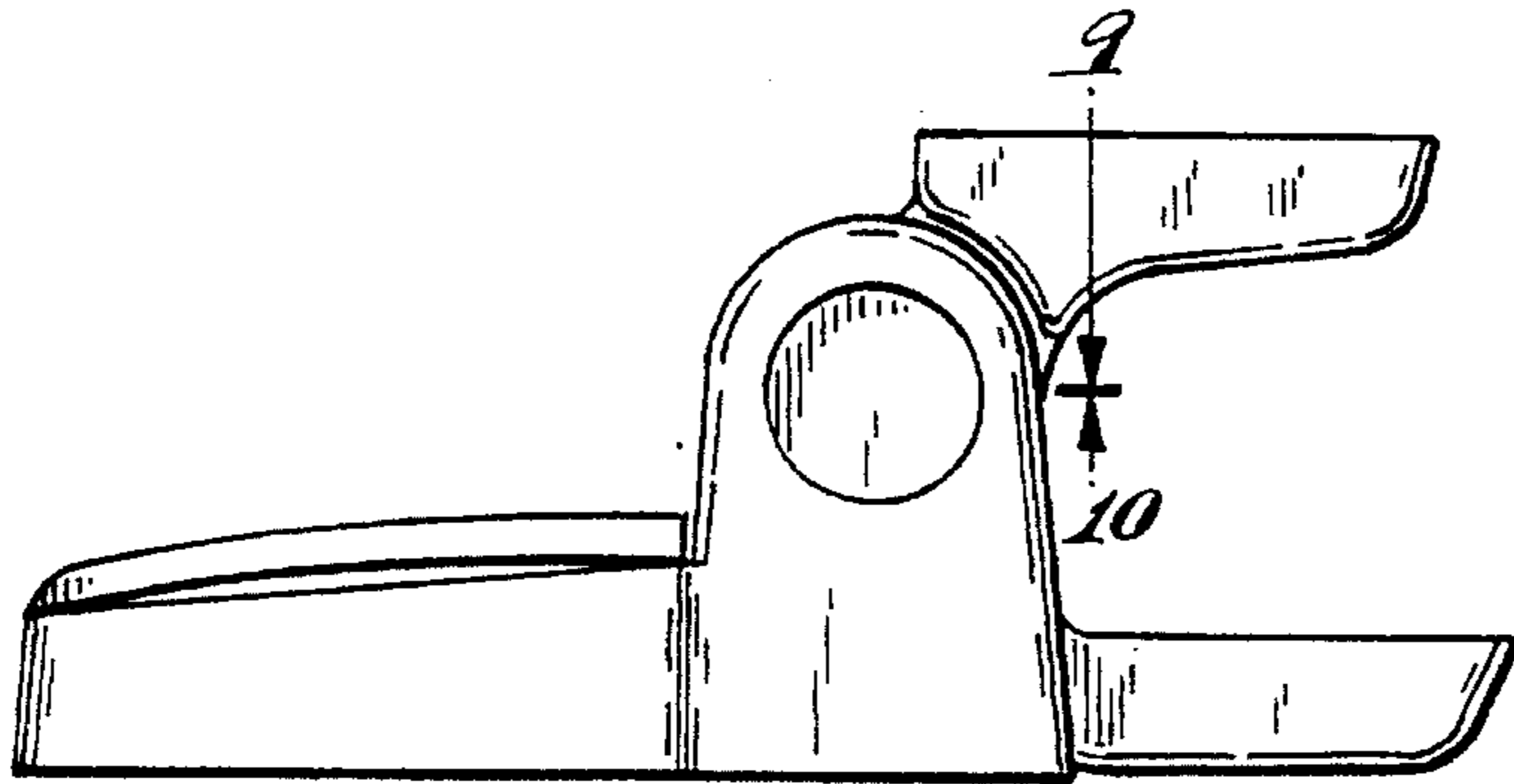


Fig. 5

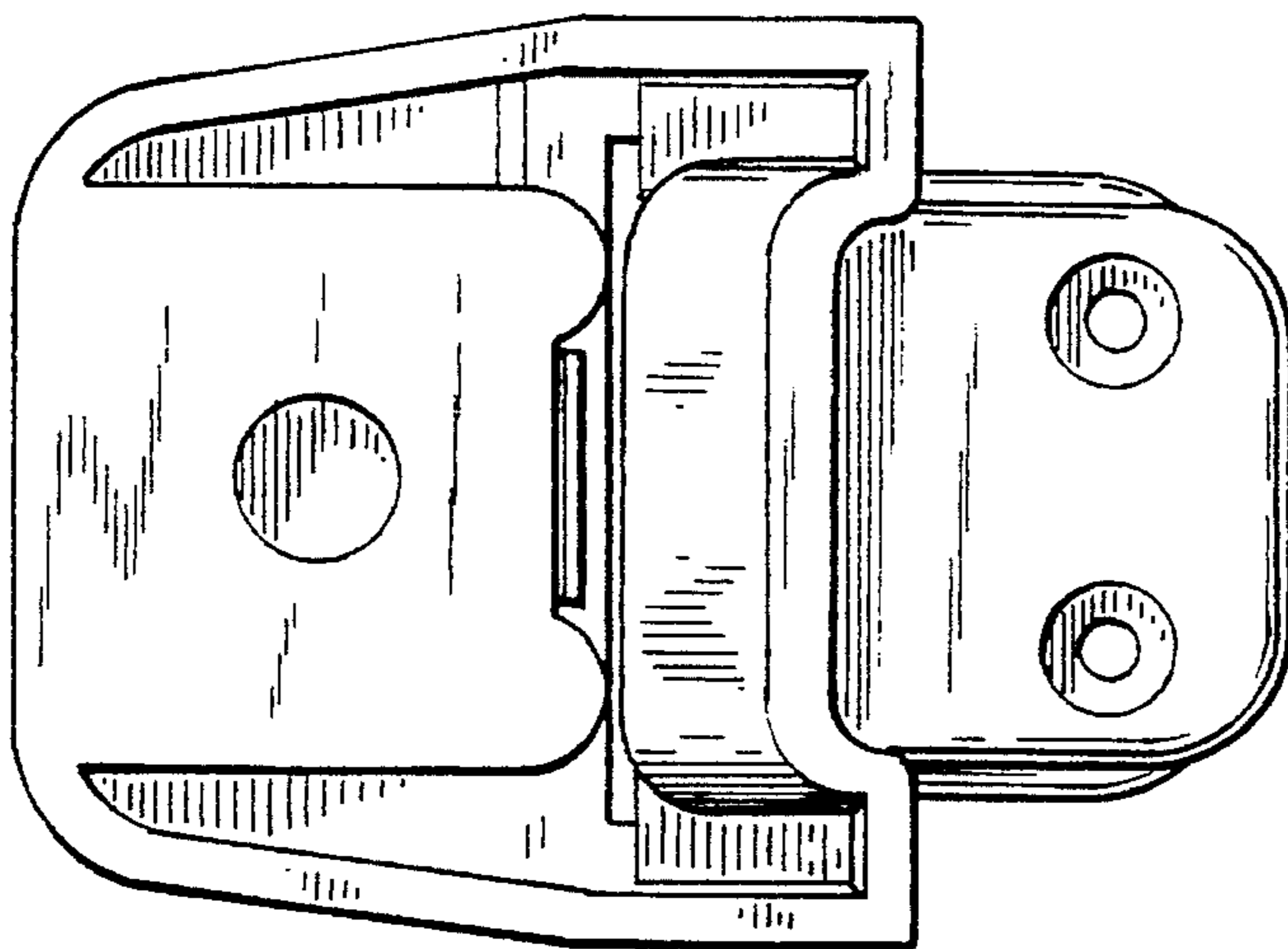


Fig. 6

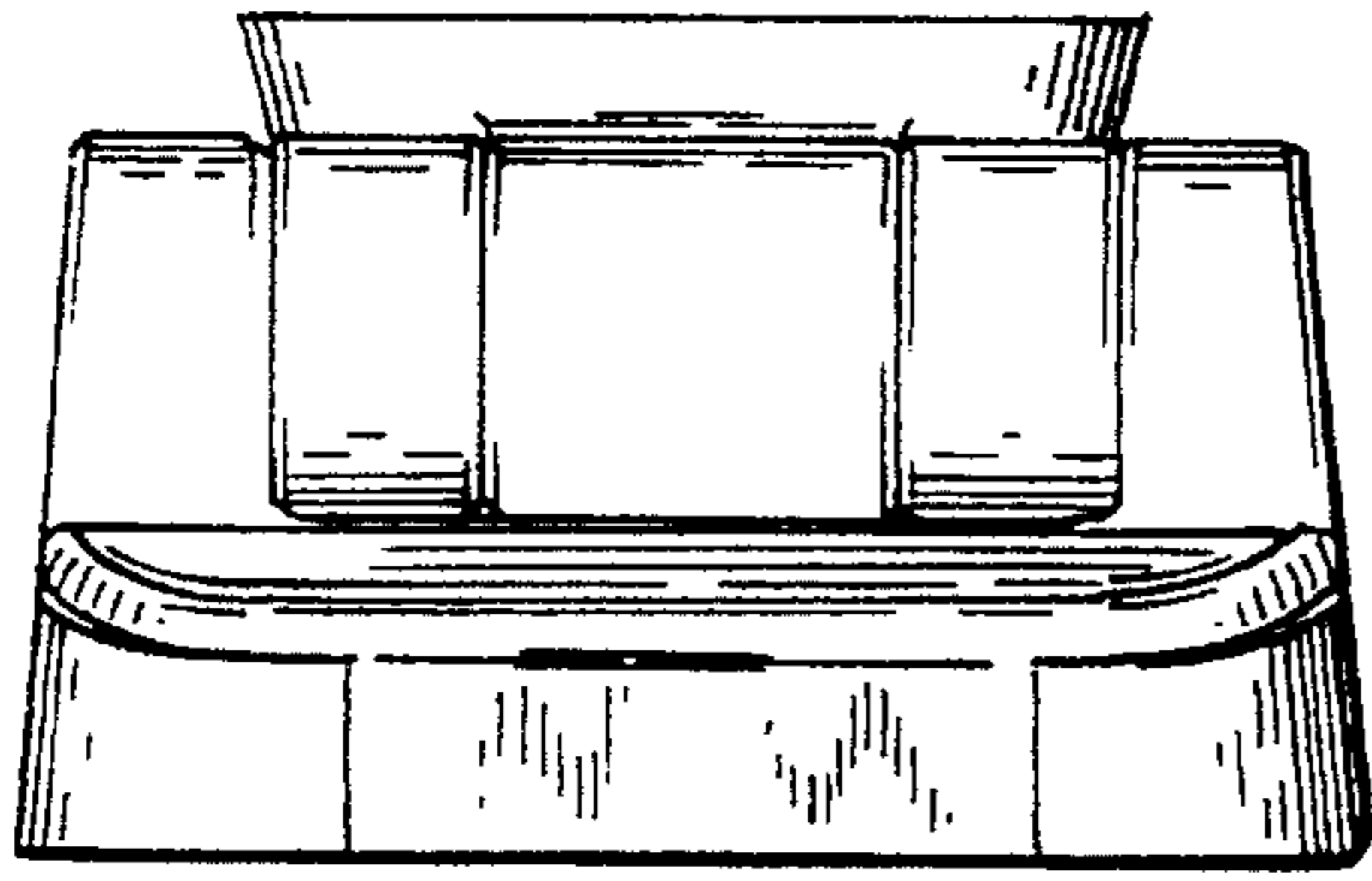


Fig. 7

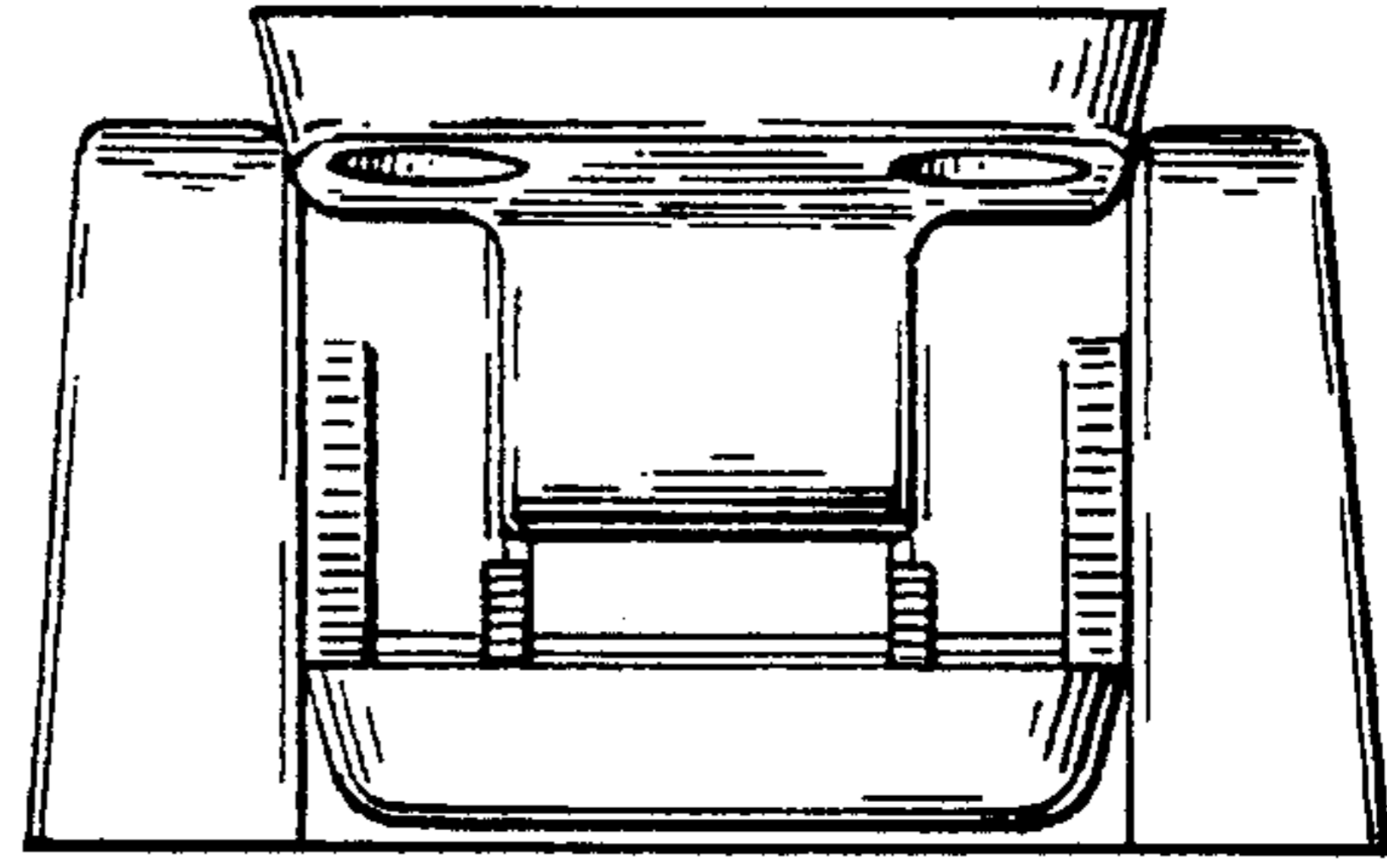


Fig. 8

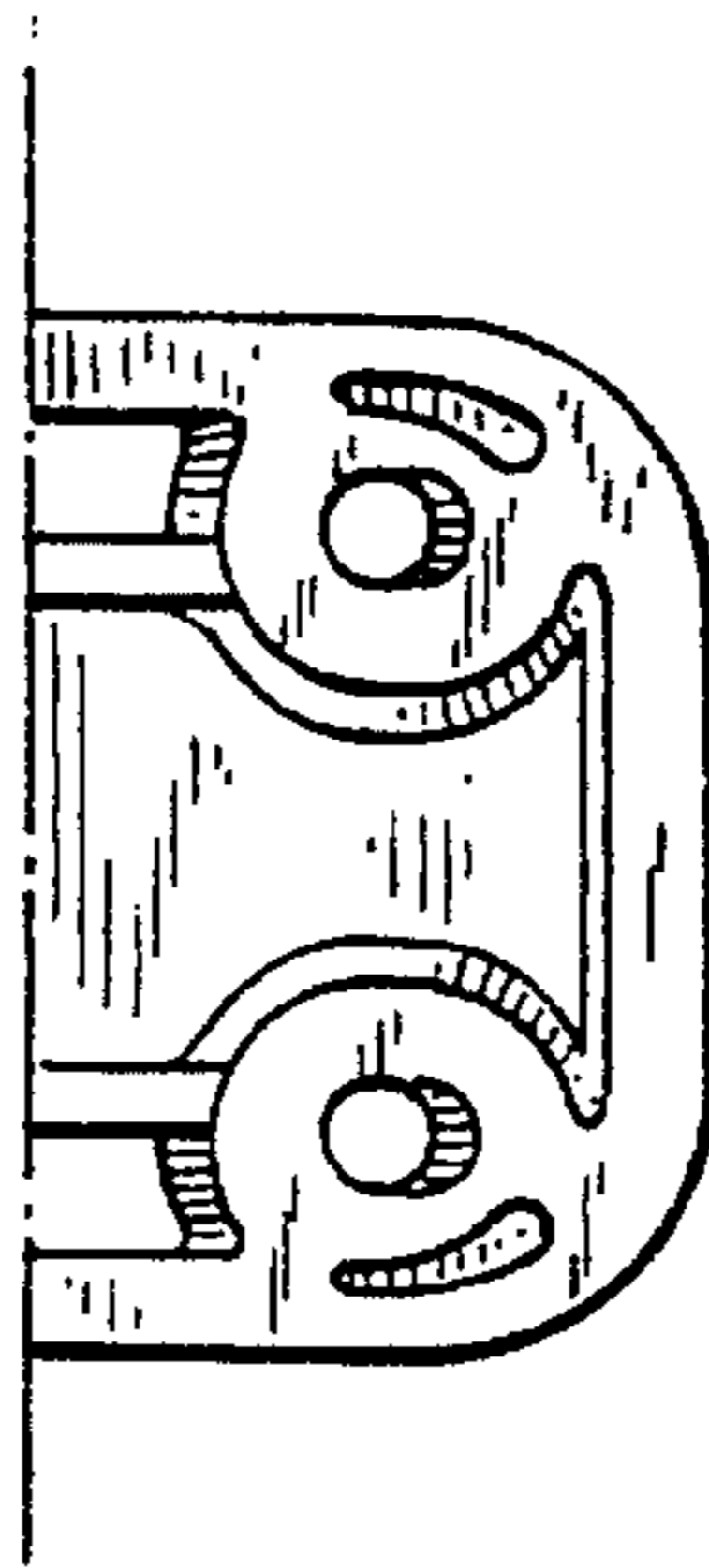


Fig. 9

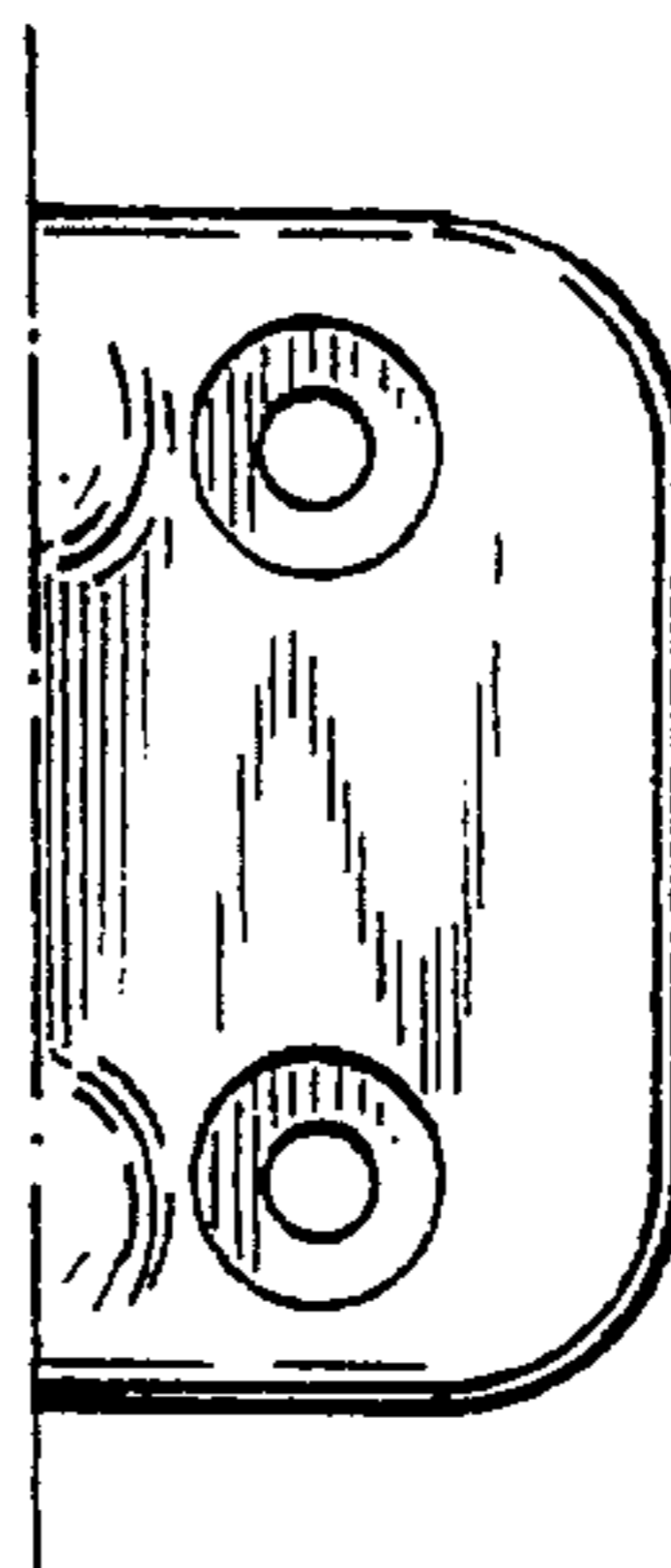


Fig. 10